



Date of
print/release

July
2021

Technical Guide

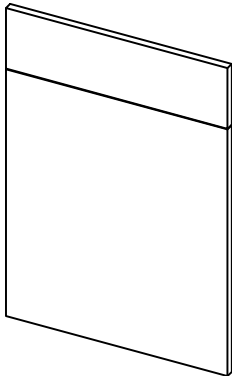


VIVO

Gloss/Matt/Paint to Order/Vero

Please Note: The information shown in this literature is accurate as at the date of print/release shown on such information but it may be subject to changes after such date. Please therefore ensure that you are viewing the most current product available and check with us if you have any doubt about the suitability of the product or accuracy of the information shown.

VIVO PRODUCT OVERVIEW

	Product Information	
	Product Description: Product Colour: Product Finish: Base Material: Base Thickness: Covering Material: Edging: Reverse: Product Dimension:	Slab door 6 gloss, 6 matt & paint to order colours Gloss/matt/matt hand painted MDF 18mm <u>Gloss/matt colours:</u> Polyurethane paint over a polyester primer. <u>Paint to order:</u> matt paint. Painted edge to match face. <u>Gloss/matt colours:</u> Melamine paper, matt finish, colour matches face/complementary colour. <u>Paint to order:</u> Matches face. Standard door and drawer range. Also available for Vero true handleless profiles.

Additional Information

End panels: Painted all around.

Plinths: Paper wrapped and painted on face and long edges.

Glazed door: Available in gloss and matt stock colours (Frame Door available in Paint to Order).

Made to measure sizes: Available in Vivo on a lead time, please contact the Made to Measure department for further information.

IMPORTANT PLEASE NOTE:

While we endeavour to keep the information up to date and correct we do not make any representations or warranties of any kind, express or implied, about the completeness, accuracy, reliability and suitability of the doors and products that appear in this literature.

We aim to showcase as many different items as possible in our kitchen images and therefore some products have been installed and photographed purely to show as many of our product features as possible and they should not be taken as an example of how they are intended to be installed in real kitchen installations.

It is the responsibility of the installer to check the corresponding manufacturer's installation information and the manufacturer's technical information to ensure this is up to date and to ensure that the products can be fitted in a way they are displayed and the products are suitable for your requirements.

We specifically exclude any liability in this regard unless the products are fitted in accordance with the specifications we supply and the manufacturer's installation recommendations are used in a way recommended by the manufacturer and in accordance with the manufacturer's technical information provided.

The information shown in this literature is accurate as at the date of release but it may be subject to changes after such date. Please therefore ensure that you are viewing the most current product information available and check with us if you have any doubt about the suitability of the product or accuracy of the information shown.

We are proud that all our products that we sell are covered by a statutory warranty but this does not stop all our products naturally ageing overtime. **As a result of this natural ageing process we are therefore unable to provide an identical colour finish to the existing products you have purchased from us with any products that we supply you from the same product line.** In such event our liability will be limited to the purchase price paid for the product you are seeking to replace.

Due to the limitations on photographic reproduction, colours may differ slightly from the actual products shown.

Please note that board matches listed with the doors are a suggestion only and better board matches may be available on the market. It is up to the individual to decide on its suitability.

VIVO GLOSS COLOURS



GLOSS ANTHRACITE

Prefix code: 225

Suggested MFC Board Match:

Egger U961/Kronospan 0164/RAL 7016



GLOSS CASHMERE

Prefix code: 222

Suggested MFC Board Match:

Egger U702/Kronospan 5981



GLOSS DUST GREY

Prefix code: 229

Suggested MFC Board Match:

Egger U732/Kronospan 0171/RAL 7037



GLOSS IVORY

Prefix code: 224

Suggested MFC Board Match:

Egger U104/Kronospan 0514/RAL 1013



GLOSS LIGHT GREY

Prefix code: 223

Suggested MFC Board Match:

Egger U708/Kronospan 0191/RAL 7047



GLOSS WHITE

Prefix code: 221

Suggested MFC Board Match:

Egger W1100/Kronospan 8681/RAL 9003



VIVO MATT COLOURS



MATT ANTHRACITE

Prefix code: 305

Suggested MFC Board Match:

Egger U961/Kronospan 0164/RAL 7016



MATT CASHMERE

Prefix code: 302

Suggested MFC Board Match:

Egger U702/Kronospan 5981

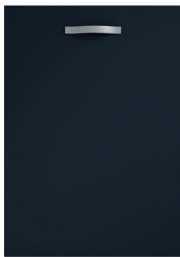


MATT DUST GREY

Prefix code: 307

Suggested MFC Board Match:

Egger U732/Kronospan 0171/RAL 7037

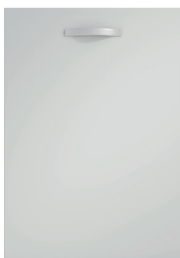


MATT INDIGO

Prefix code: 308

Suggested MFC Board Match:

Egger U599/RAL 5004

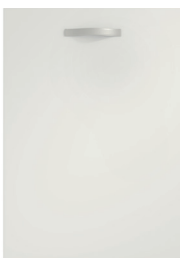


MATT LIGHT GREY

Prefix code: 303

Suggested MFC Board Match:

Egger U708/Kronospan 0191/RAL 7047



MATT WHITE

Prefix code: 301

Suggested MFC Board Match:

Egger W1000/Kronospan 8685/RAL 9016



VIVO PTO COLOURS/VERO OPTION

PAINT TO ORDER

Prefix code: 396

23 standard matt colours (shown below) & bespoke option available with our colour match service. Paint to order is also available in Vero sizes.

Board matches vary, see Trade Index for more info.



NEUTRAL	Super White	White	Porcelain	Chalkstone	Mussel			
EARTHY	Cashmere	Taupe Grey	Pebble Grey	Dakar	Stone Grey	Lava		
GREY	White Grey	Light Grey	Silver Grey	Dust Grey	Onyx Grey			
BLUE & GREEN	Sage Green	French Grey	Fjord	Denim	Smoke Blue	Midnight Blue	Indigo Blue	

VERO OPTION

Vivo is available for our Vero true handleless rails in gloss, matt & paint to order colours.

Base unit doors: 685mm height to suit Vero profiles.

Drawer fronts: 160mm & 325mm height to suit Vero profiles.

Wall/Full height larder & appliance housing doors: Doors are same size as standard doors.



Vivo Gloss White with Rose Gold Vero rails.



Vivo Matt Dust Grey with Graphite Vero rails



Vivo Paint to Order in Smoke Blue with Silver Vero rails

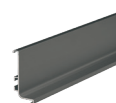
Vero Rail Colours



Silver
Prefix code: 100



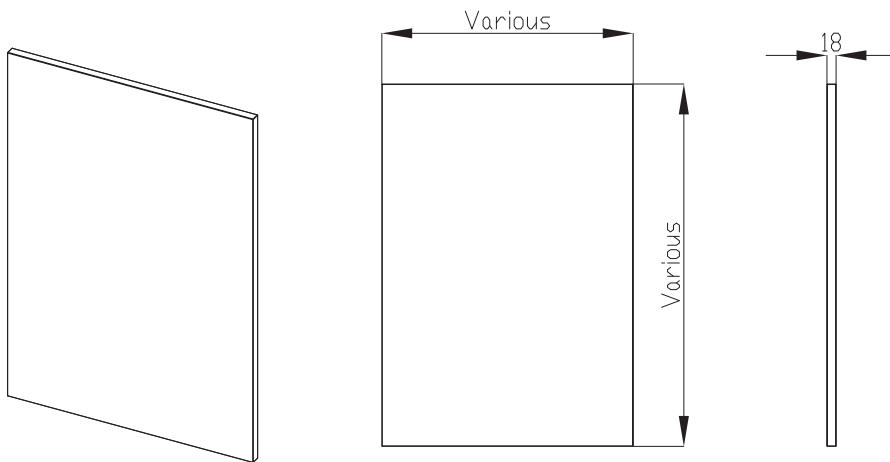
Rose Gold
Prefix code: 101



Graphite
Prefix code: 102

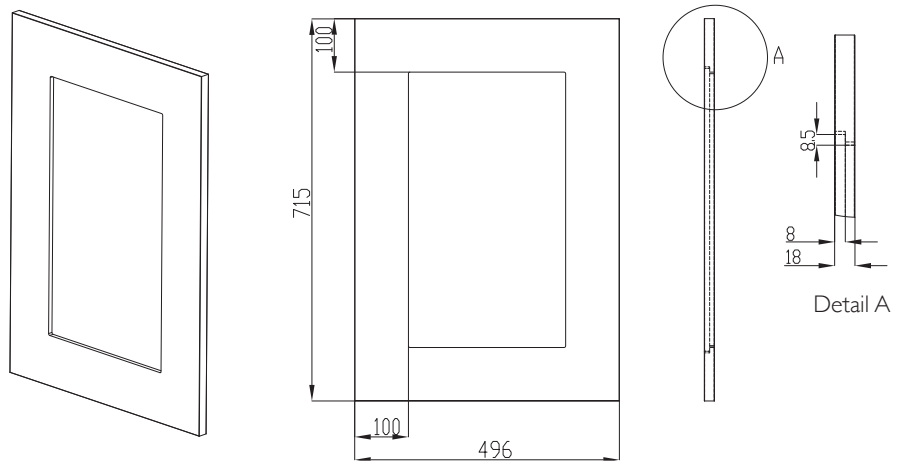
VIVO PRODUCT INFORMATION

Door/Drawer Front



Product Information
Painted MF MDF

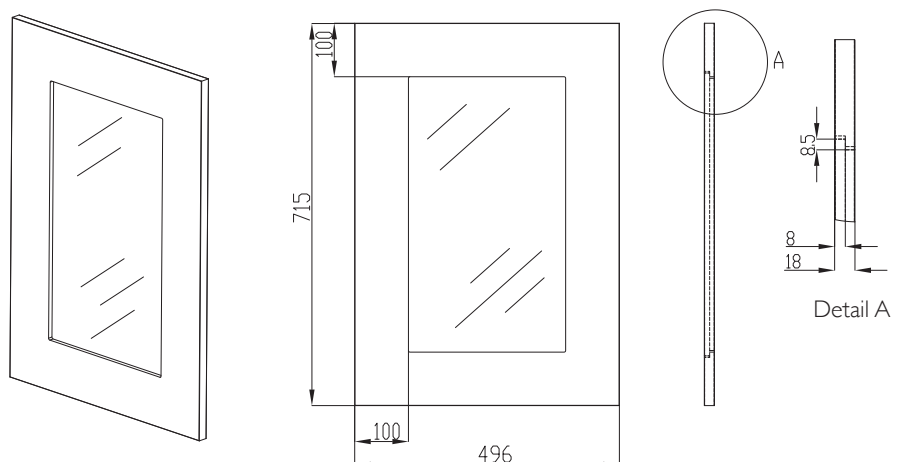
Frame Door (Paint to Order)



Product Information
Painted MF MDF. Only available in Paint to Order.

Product Code
XXXF71549
(715 x 496mm)

Glazed Door (gloss & matt colours)

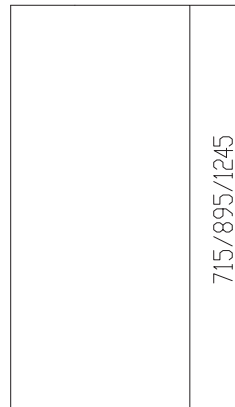
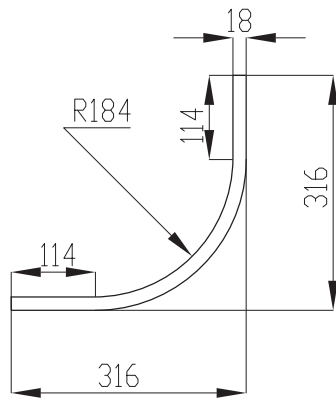
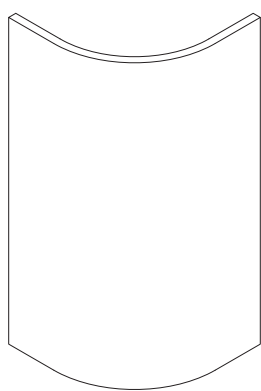


Product Information
Painted MF MDF. Supplied with clear toughened glass. Only available in gloss and matt stock colours.

Product Code
XXXG71549
(715 x 496mm)

VIVO PRODUCT INFORMATION

Curved Door (External Curve)



Product Information

Painted MDF

Product Code

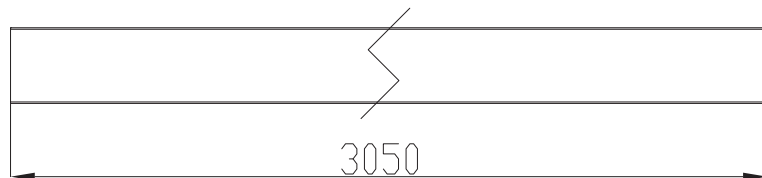
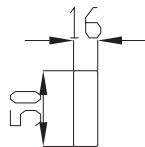
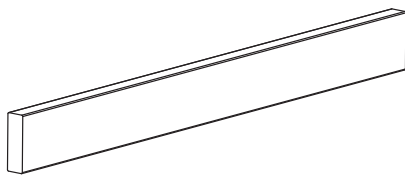
XXXCURVE
(715mm)

XXXCURVE895MM
(895mm*)

XXXCURVE1245MM
(1245mm*)

* 895mm and 1245mm heights are only available in gloss and matt stock colours.

Straight Cornice/Filler Piece (*gloss & matt colours*)



Product Information

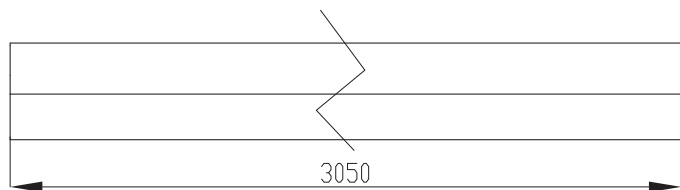
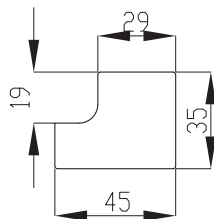
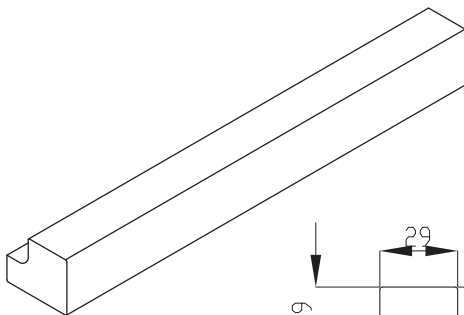
Painted MF MDF

Product Code

XXXCORNIC

Only available in gloss and matt stock colours.

Square End Straight Cornice/Pelmet



Product Information

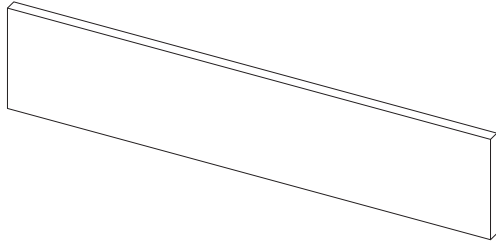
Painted MDF

Product Code

XXXCORNICESQ

VIVO PRODUCT INFORMATION

Plinth

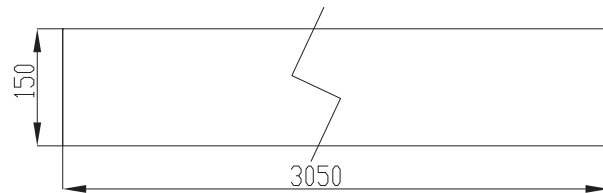
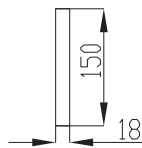


Product Information

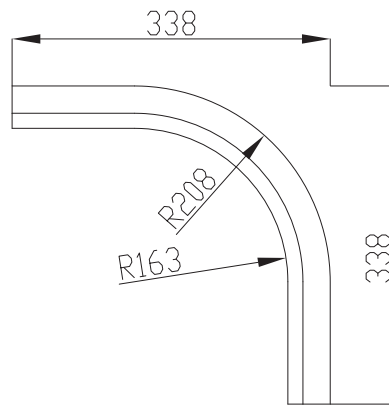
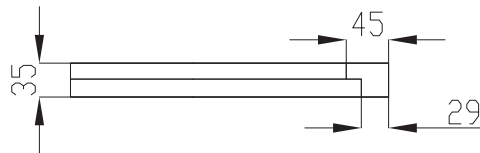
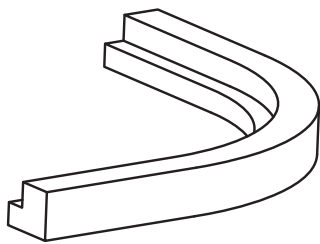
Chipboard core, painted melamine paper on face and long edges, back is matt melamine paper.

Product Code

XXXPLINTH



Square End Curved Cornice/Pelmet (External Curve)



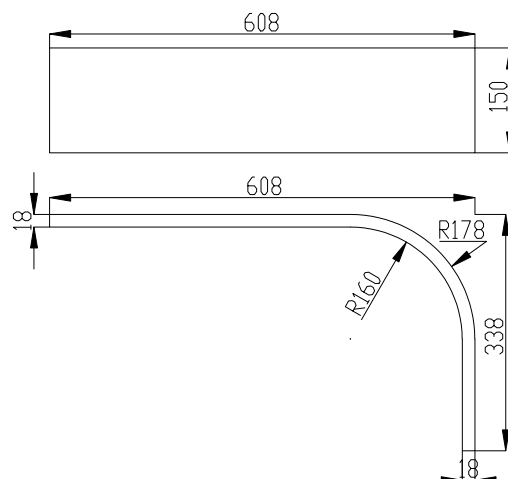
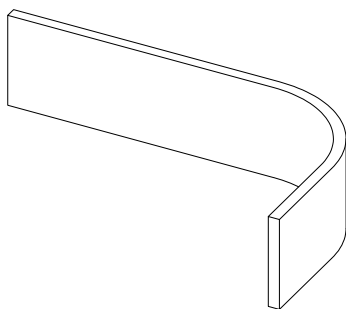
Product Information

Painted MDF

Product Code

XXXCURVECORNICES

Curved Plinth (External Curve)



Product Information

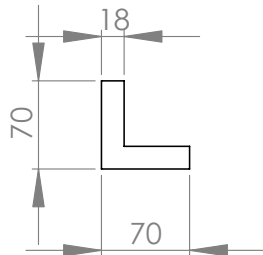
Painted MDF

Product Code

XXXCURVEPLINTH

VIVO PRODUCT INFORMATION

Internal Corner Post



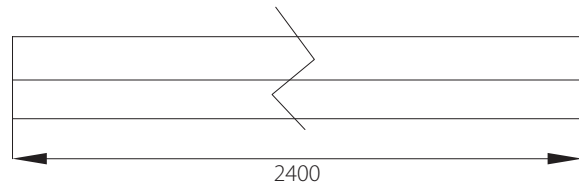
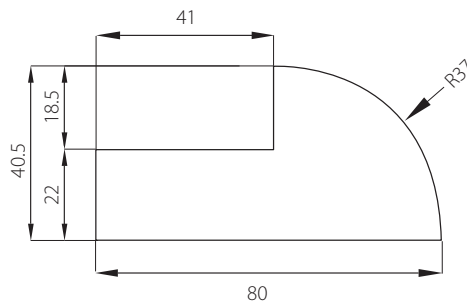
Product Information

Painted MDF

Product Code

XXXCPSLAB

Curved End Post (*gloss & matt colours*)



Product Information

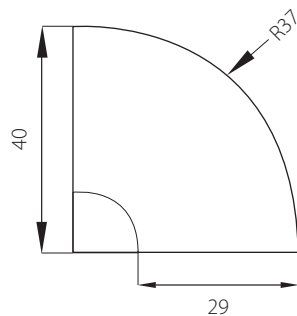
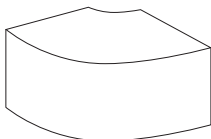
Painted MDF

Product Code

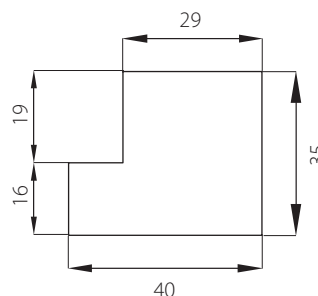
XXXENDPOST

Only available in gloss and matt stocked colours.

Corner Block - for Curved End Post (*gloss & matt colours*)



Plan View



Profile

Product Information

Painted MDF

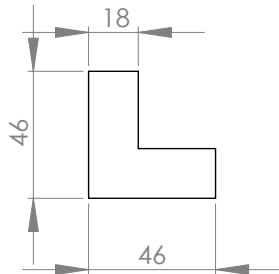
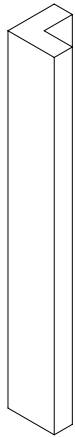
Product Code

XXXENDPROFILE

Only available in gloss and matt stock colours.

Please note: This corner block can be used on top of a Curved End Post. The profile is the same as the Square End Straight Cornice and can be installed next to the cornice.

External Corner Post



Product Information

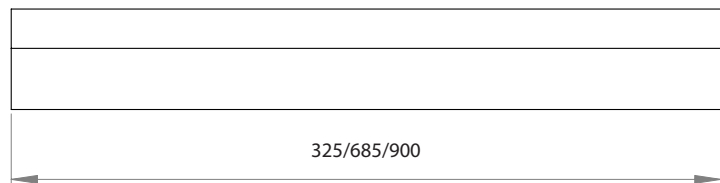
Painted MDF

Product Code

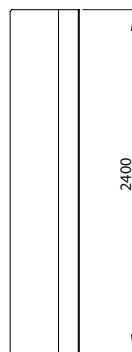
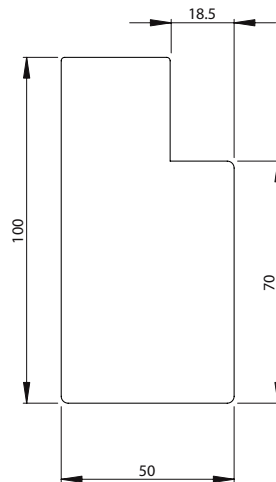
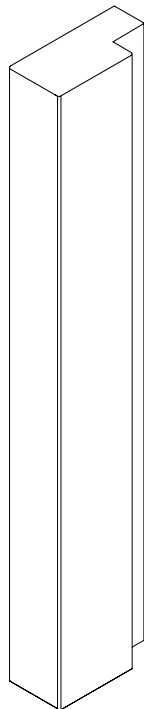
XXXCPEXTERNAL325 (for Vero drawers)

XXXCPEXTERNAL685 (for Vero base unit doors, only available in Paint to Order)

XXXCPEXTERNAL900



Straight End Pillar (Paint to Order)



Product Information

Painted MDF

Product Code

XXXPILLAR

Available in Paint to Order only.
This item can be used in conjunction with an End Panel.