



Trade supplier to the
kitchen & bedroom industry

August
2021

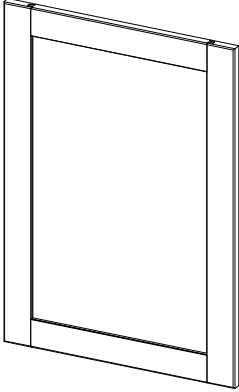
Technical Guide



NEWMARKET

Please Note: The information shown in this literature is accurate as at the date of print/release shown on such information but it may be subject to changes after such date. Please therefore ensure that you are viewing the most current product available and check with us if you have any doubt about the suitability of the product or accuracy of the information shown.

NEWMARKET DOOR INFO

	Product Information	
	Product Description: Product Colour: Product Finish: Base Material: Base Thickness: Covering Material: Edging Material: Edging Colour: Reverse Colour: Product Dimension:	5 piece slim frame shaker door with flat centre panel, no V grooves Available in 4 stock colours, paint to order & primed Matt finish with visible timber grain Solid ash frame, veneered centre panel 20mm Painted/primed Painted/primed To match with face To match with face Standard door and drawer range
Additional Information End panels: Veneered and edged all round. T&G end panels: Plain on the reverse. T&G and grain direction: Along the longest length on all end panels, except 900 x 2100 which is along the 900 height. Plinths: Veneered and edged 2 long (paint to order/primed edges raw).		

IMPORTANT PLEASE NOTE:

While we endeavour to keep the information up to date and correct we do not make any representations or warranties of any kind, express or implied, about the completeness, accuracy, reliability and suitability of the doors and products that appear in this literature.

We aim to showcase as many different items as possible in our kitchen images and therefore some products have been installed and photographed purely to show as many of our product features as possible and they should not be taken as an example of how they are intended to be installed in real kitchen installations.

It is the responsibility of the installer to check the corresponding manufacturer's installation information and the manufacturer's technical information to ensure this is up to date and to ensure that the products can be fitted in a way they are displayed and the products are suitable for your requirements.

We specifically exclude any liability in this regard unless the products are fitted in accordance with the specifications we supply and the manufacturer's installation recommendations are used in a way recommended by the manufacturer and in accordance with the manufacturer's technical information provided.

The information shown in this literature is accurate as at the date of release but it may be subject to changes after such date. Please therefore ensure that you are viewing the most current product information available and check with us if you have any doubt about the suitability of the product or accuracy of the information shown.

We are proud that all our products that we sell are covered by a statutory warranty but this does not stop all our products naturally ageing overtime. **As a result of this natural ageing process we are therefore unable to provide an identical colour finish to the existing products you have purchased from us with any products that we supply you from the same product line.** In such event our liability will be limited to the purchase price paid for the product you are seeking to replace.

Due to the limitations on photographic reproduction, colours may differ slightly from the actual products shown.

Please note that board matches listed with the doors are a suggestion only and better board matches may be available on the market. It is up to the individual to decide on its suitability.

NEWMARKET COLOURS



IVORY

Prefix code: 450
Suggested MFC Board Match:
Egger U104/RAL1013



LIGHT GREY

Prefix code: 451
Suggested MFC Board Match:
Egger U708/RAL 7047



DUST GREY

Prefix code: 452
Suggested MFC Board Match:
Egger U732/RAL 7037



INDIGO

Prefix code: 453
Suggested MFC Board Match:
Egger U599/RAL 5004

NEUTRAL							
EARTHY							
GREY							
BLUE & GREEN							

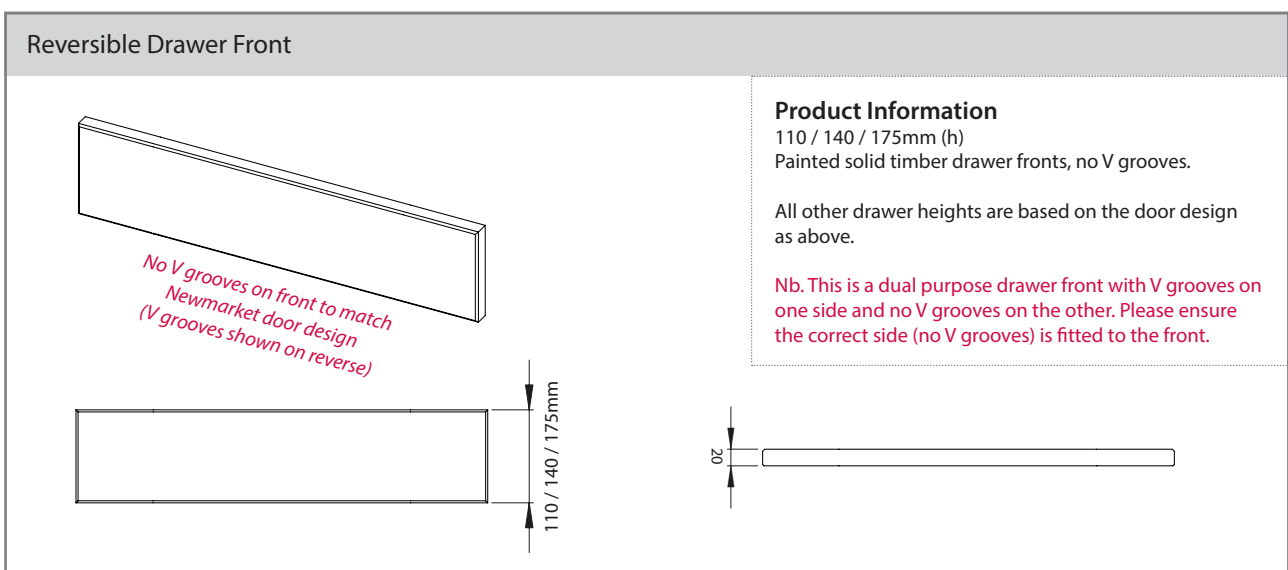
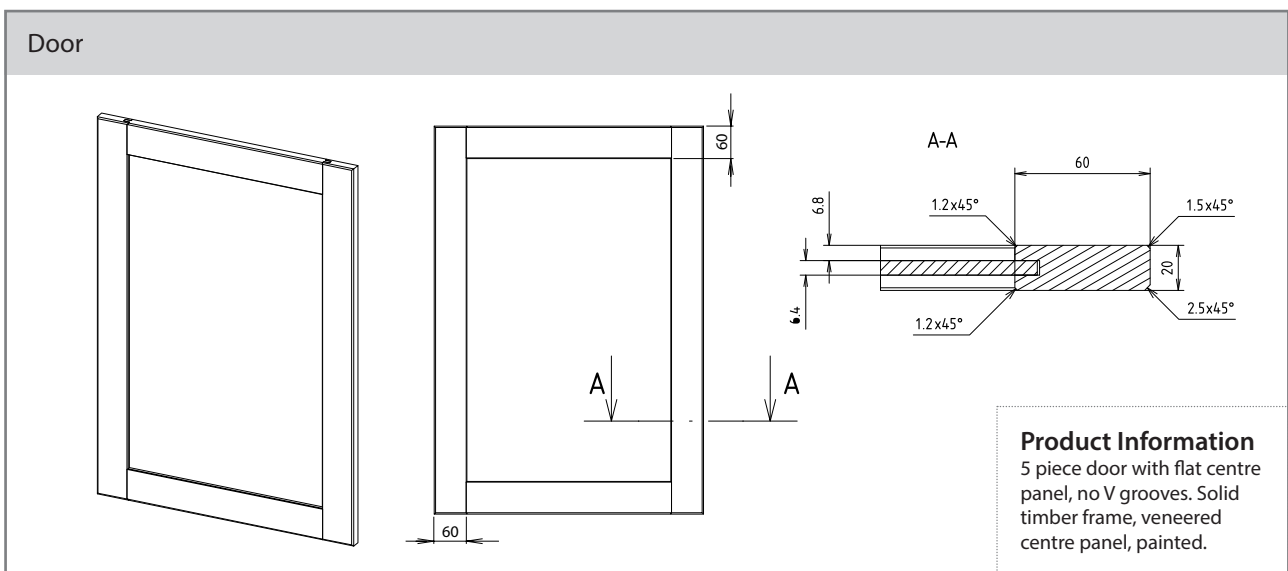
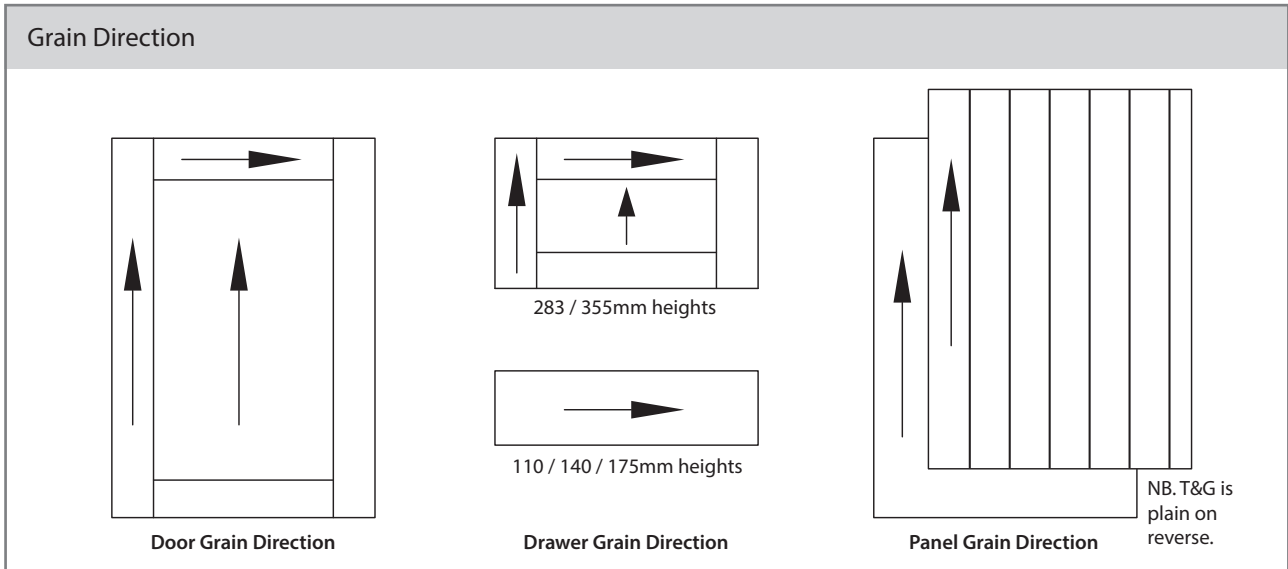
PAINT TO ORDER

Prefix code: 457
23 standard colours (shown on left) & bespoke option with colour match.
Board matches vary, see Trade Index for more info.

PRIMED

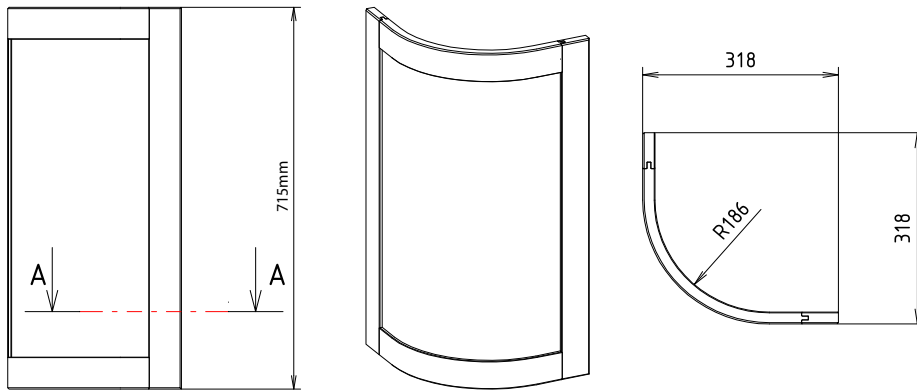
Ready to paint
Prefix code: 456

NEWMARKET GRAIN DIRECTION/DIMENSIONS



NEWMARKET DIMENSIONS

Curved Door



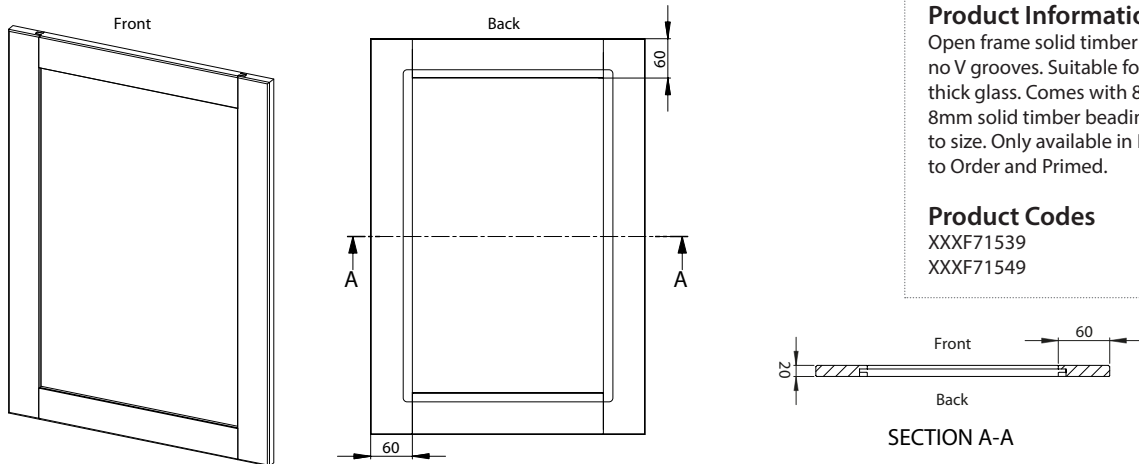
Product Information

5 piece door with flat centre panel, no V grooves. Painted solid timber frame, veneered centre panel.

Product Code

XXXCURVE715

Frame Door



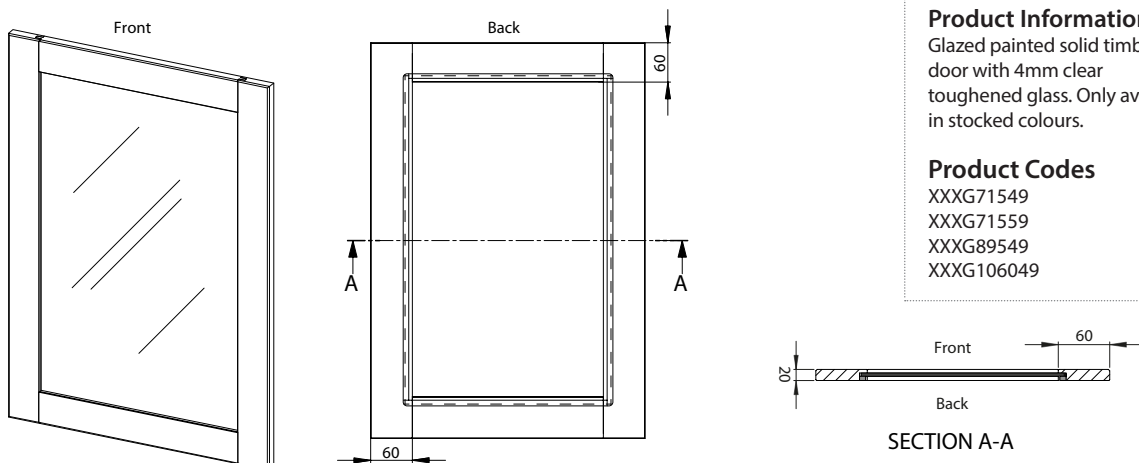
Product Information

Open frame solid timber door, no V grooves. Suitable for 4mm thick glass. Comes with 8 x 8mm solid timber beading, cut to size. Only available in Paint to Order and Primed.

Product Codes

XXXF71539
XXXF71549

Glazed Door



Product Information

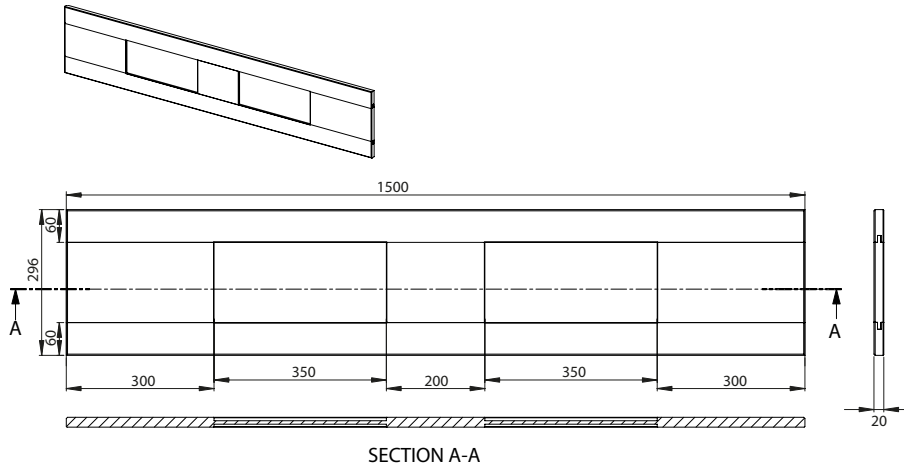
Glazed painted solid timber door with 4mm clear toughened glass. Only available in stocked colours.

Product Codes

XXXG71549
XXXG71559
XXXG89549
XXXG106049

NEWMARKET DIMENSIONS

Mantel Top



Product Information

7 piece mantel top with flat centre panels, no V grooves. Painted solid timber frame, veneered centre panels.

Mantel Top Product Code

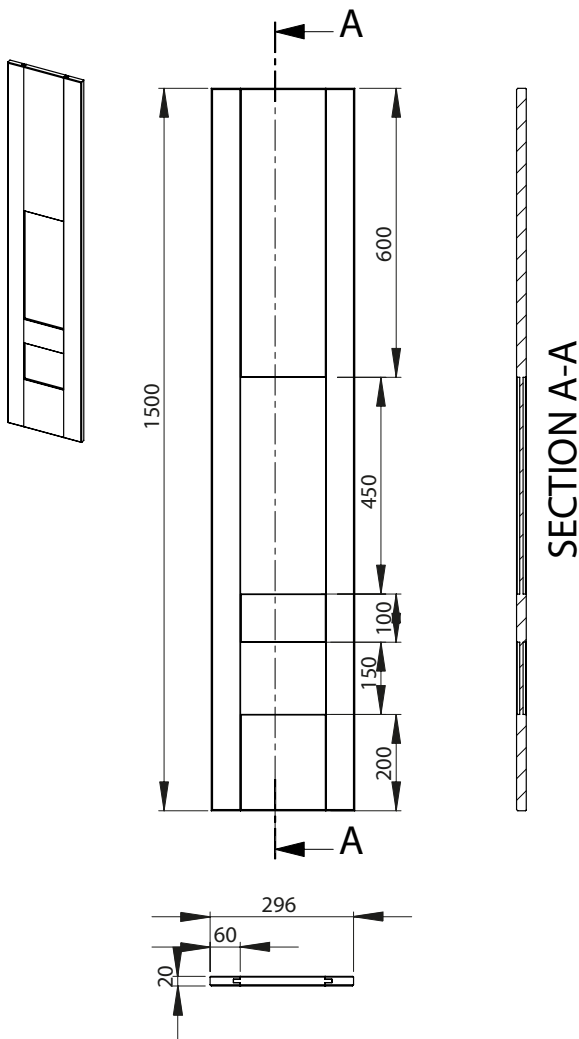
XXXMANTELTOP

Mantel Kit Product Code

XXXMANTELKIT

- 1 x Mantel Top
- 2 x Mantel Side
- 2 x Mantel Corbel
- 1 x Mantel Shelf

Mantel Side



Product Information

7 piece mantel side with flat centre panels, no V grooves. Painted solid timber frame, veneered centre panels.

Mantel Side Product Code

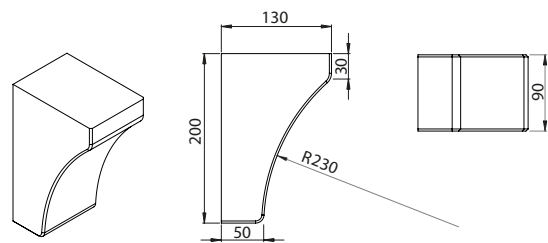
XXXMANTELSIDE

Mantel Kit Product Code

XXXMANTELKIT

- 1 x Mantel Top
- 2 x Mantel Side
- 2 x Mantel Corbel
- 1 x Mantel Shelf

Mantel Corbel



Product Information

Solid timber mantel corbel.

Mantel Corbel Product Code

XXXMANTELBKT

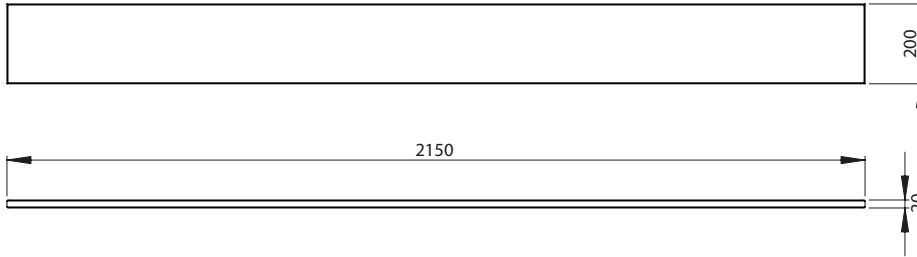
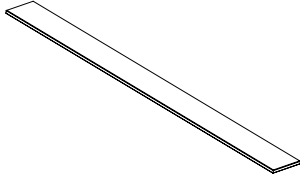
Mantel Kit Product Code

XXXMANTELKIT

- 1 x Mantel Top
- 2 x Mantel Side
- 2 x Mantel Corbel
- 1 x Mantel Shelf

NEWMARKET DIMENSIONS

Mantel Shelf



Product Information

Painted veneered MDF

Mantel Shelf Product Code

XXXMANTELSHELF

Mantel Kit Product Code

XXXMANTELKIT

1 x Mantel Top
2 x Mantel Side
2 x Mantel Corbel
1 x Mantel Shelf

Mantel Complete Kit

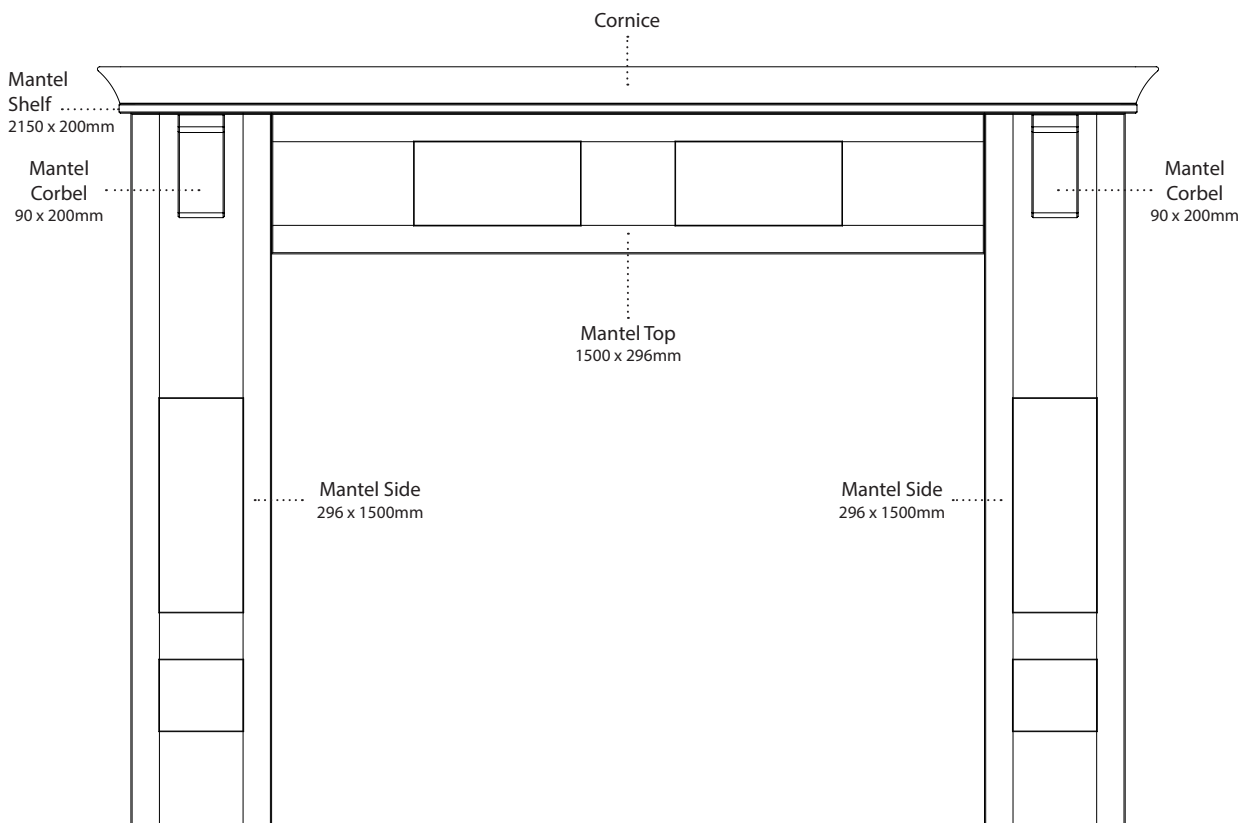
Product Information

1 x Mantel Top (1500 x 296mm)
2 x Mantel Side (296 x 1500mm)
2 x Mantel Corbel (90 x 200mm)
1 x Mantel Shelf (2150 x 200mm)

Product Code

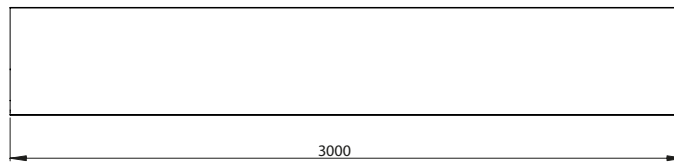
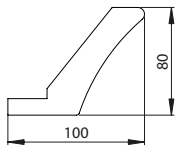
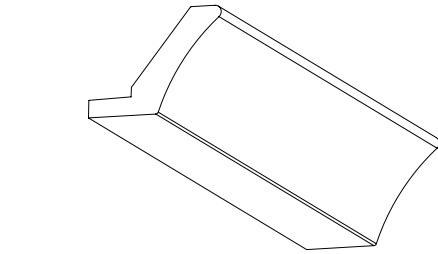
XXXMANTELKIT

To finish we recommend Tangent Cornice,
code: XXXCORNICESOLID



NEWMARKET DIMENSIONS

Cornice



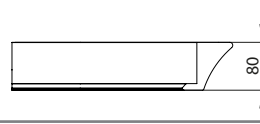
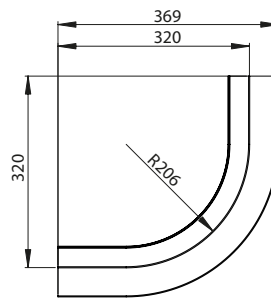
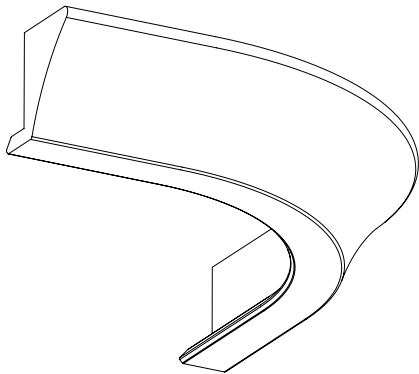
Product Information

Painted solid timber with MDF base.

Product Code

XXXCORNICESOLID

Cornice Curved



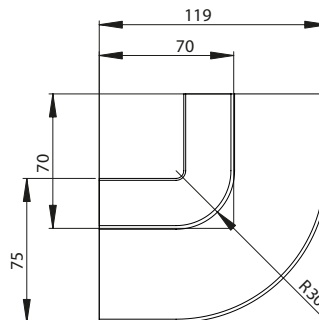
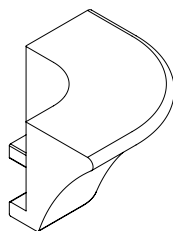
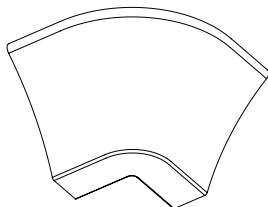
Product Information

Painted solid timber with MDF base.

Product Code

XXXCURVECORNICE

Curved Cornice Block



Product Information

Painted solid timber.

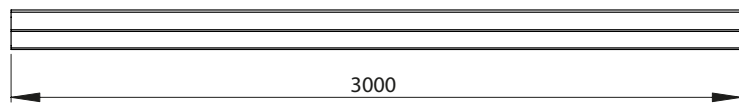
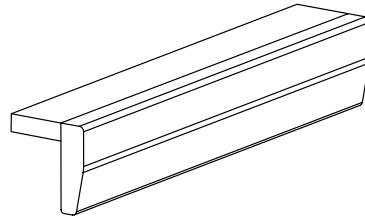
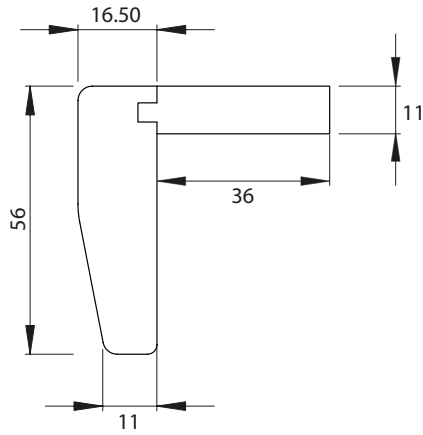
Product Code

XXXRENDORNICE

This item can be used in conjunction with the Curved End Pillar (code: XXXRENDPILLAR).

NEWMARKET DIMENSIONS

Tangent Pelmet

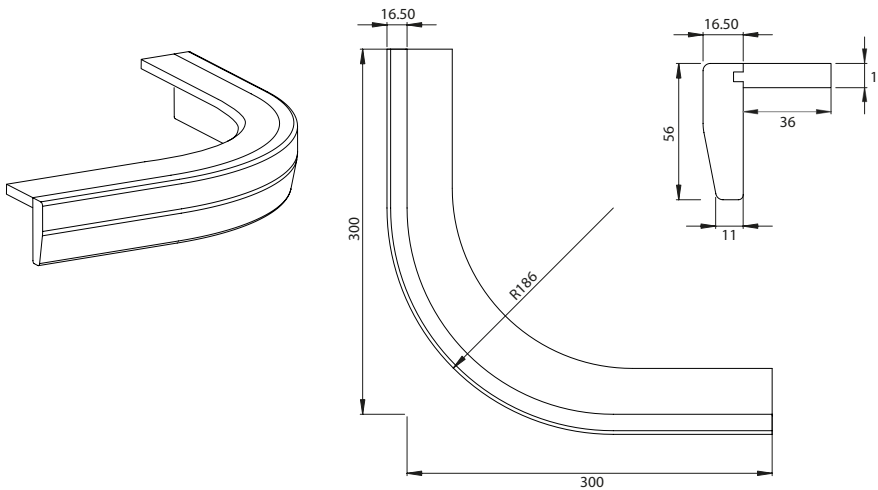


Product Information

Painted solid timber with MDF base.

Product Code
XXXPELMETSOLID

Curved Tangent Pelmet

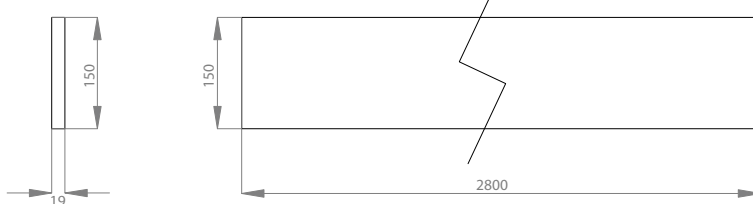
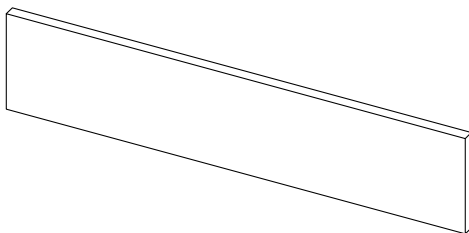


Product Information

Painted solid timber with MDF base.

Product Code
XXXCURVEDPELMET

Plinth



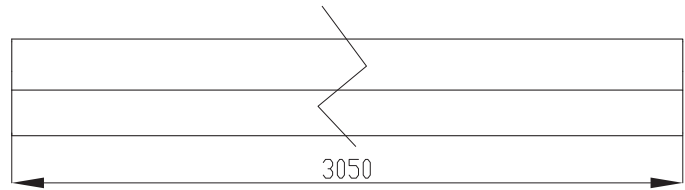
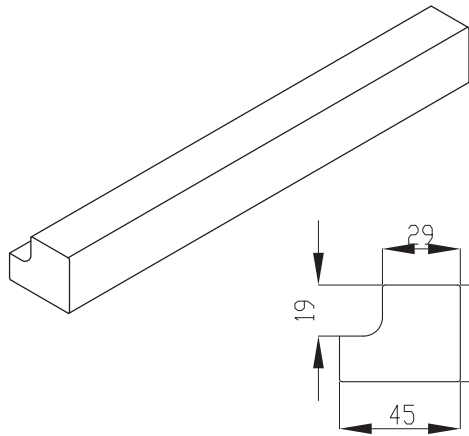
Product Information

Veneered and painted chipboard, edged 2 long. Paint to order and primed edges are raw.

Product Code
XXXPLINTH

NEWMARKET DIMENSIONS

Square End Straight Cornice / Pelmet



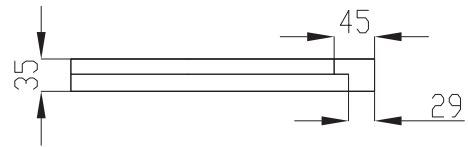
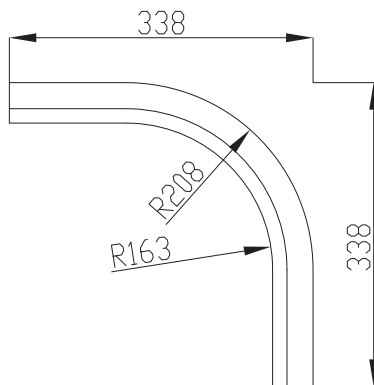
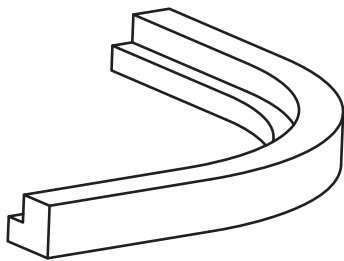
Product Information

Painted solid timber with MDF base.

Product Code

XXXCORNICESQ

Square End Curved Cornice / Pelmet



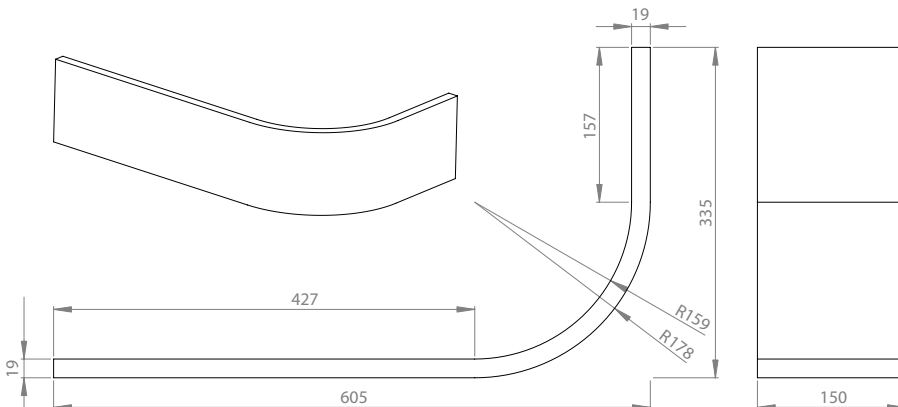
Product Information

Painted solid timber with MDF base.

Product Code

XXXCURVECORNICES

Curved Plinth



Product Information

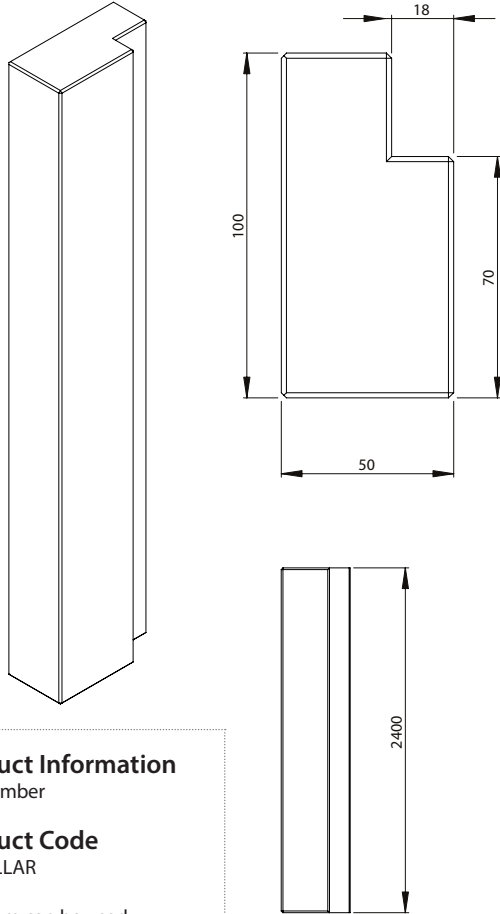
Veneered MDF

Product Code

XXXCURVEPLINTH

NEWMARKET DIMENSIONS

Straight End Pillar

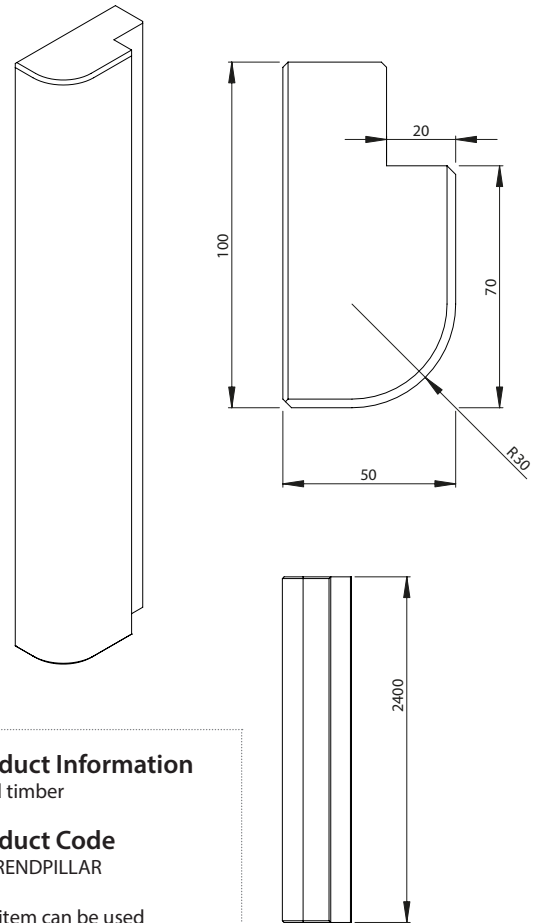


Product Information
Solid timber

Product Code
XXXPILLAR

This item can be used in conjunction with an End Panel.

Curved End Pillar



Product Information
Solid timber

Product Code
XXXRENDPILLAR

This item can be used in conjunction with an End Panel as well as the Curved Cornice Block (code: XXXRENDCORNIC).

NEWMARKET DIMENSIONS

Corner Posts

Sold as a pair

Product Information
Painted solid timber

Product Code
XXXCORNERPOST

Floor column

Product Information
Painted solid timber

Product Code
XXXCOLUMN

Plate Rack 1200

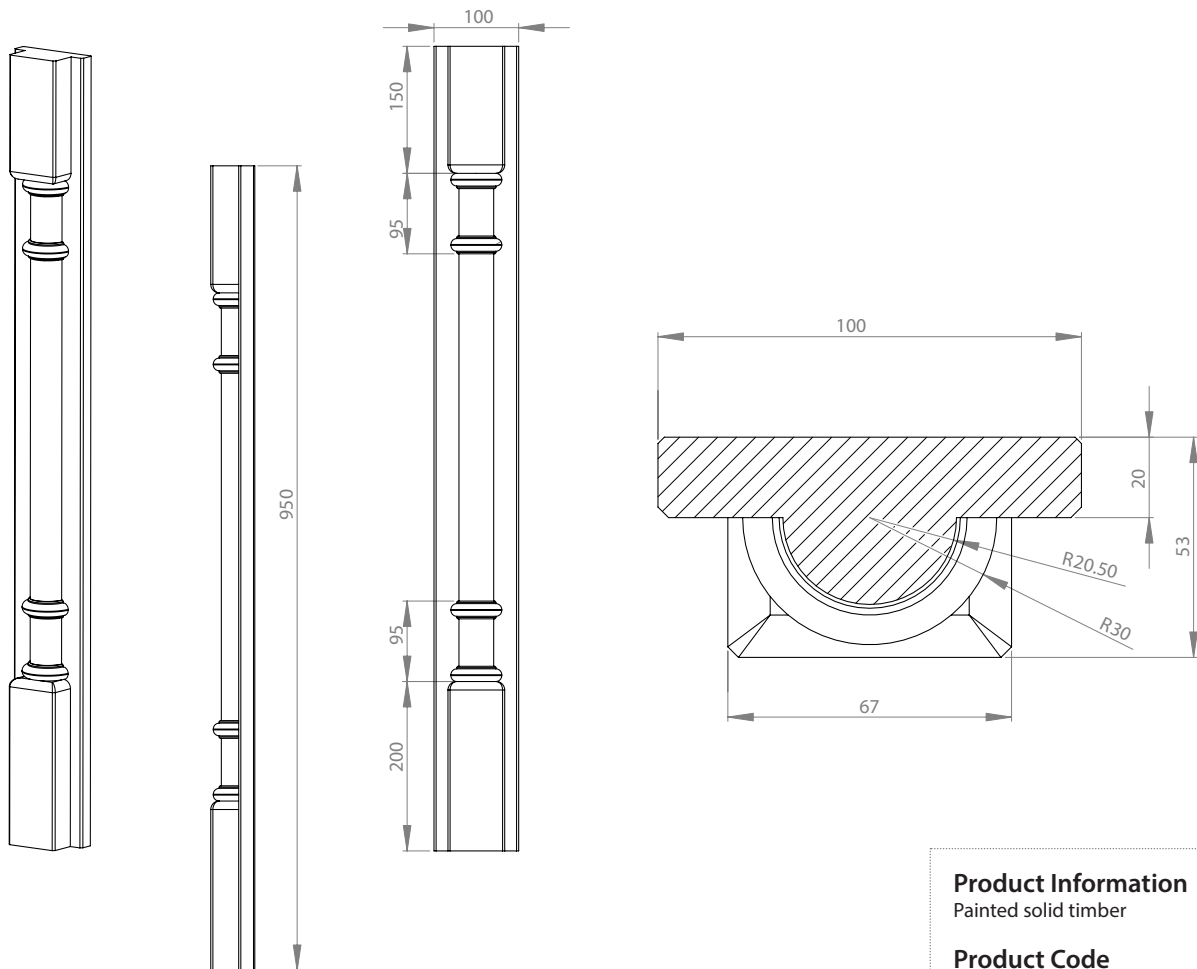
Product Information
Painted solid timber

Product Code
XXXPLATE120

SECTION A-A

NEWMARKET DIMENSIONS

Barrel Pilaster



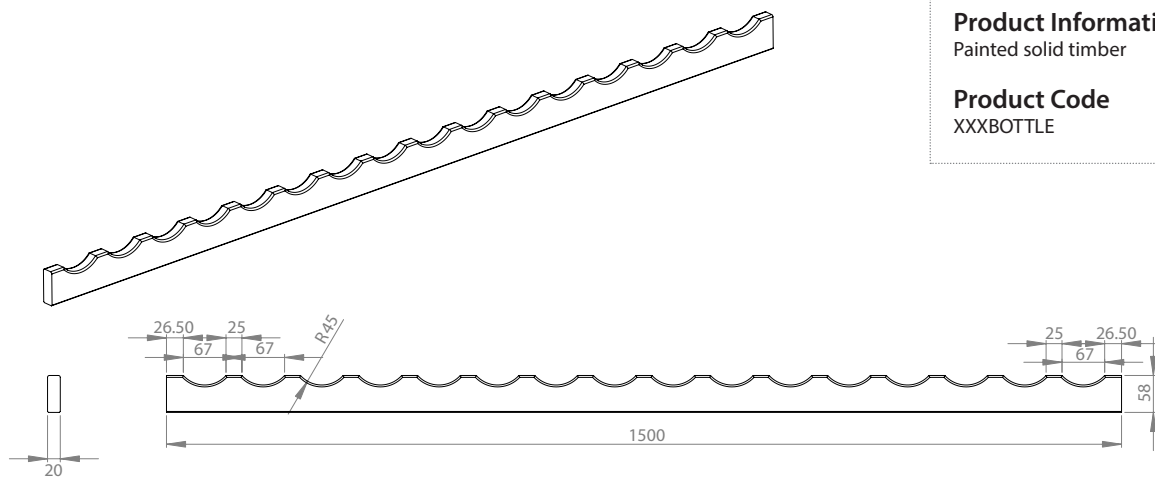
Product Information

Painted solid timber

Product Code

XXXPBARREL

Bottle Rack



Product Information

Painted solid timber

Product Code

XXXBOTTLE