



Trade supplier to the  
kitchen & bedroom industry

Date of  
print/release

June  
2021

# Technical Guide

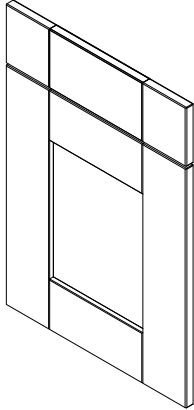


## CARTMEL

Stocked/Paint to Order Colours

**Please Note:** The information shown in this literature is accurate as at the date of print/release shown on such information but it may be subject to changes after such date. Please therefore ensure that you are viewing the most current product available and check with us if you have any doubt about the suitability of the product or accuracy of the information shown.

# CARTMEL PRODUCT OVERVIEW

	Product Information	
	<b>Product Description:</b> <b>Product Colours:</b> <b>Product Finish:</b> <b>Base Material:</b> <b>Base Thickness:</b> <b>Covering Material:</b> <b>Edging Material:</b> <b>Edging Colour:</b> <b>Reverse Colour:</b> <b>Product Dimension:</b>	5 piece shaker door with flat centre panel & feature joints (foil door/overpainted foil door) 9 stocked colours/paint to order Matt/matt overpainted, ash woodgrain structure MDF 22mm (end panels are 18mm) Foil/overpainted foil Foil wrapped/overpainted foil wrap, 2mm ABS edge top and bottom Matches face Matches face Standard door and drawer range

## Additional Information

**Stocked colours:** Cartmel stocked colours are foil wrapped and are not hand painted like the Cartmel Paint to Order range. Please note, some of the accessories are timber which are hand painted to match the door colour.

**Paint to order colours:** The Cartmel Paint to Order door is an overpainted foil door and is available on a lead time. Please note, some of the accessories are timber which are hand painted to match the door colour.

**End panels:** End panels are 18 mm tickness and have a visible grain structure on both sides. The grain direction is along the longest length. End panels are edged all round.

**T&G end panels:** T&G on one side, plain on the reverse. Only available in 2400 x 650 x 18mm size.

**Curved doors:** Cartmel curved doors have a different radius to standard TKC curved doors. Cartmel curved carcasses are available from stock for these doors in the same colours as standard TKC curved carcasses.

## IMPORTANT PLEASE NOTE:

While we endeavour to keep the information up to date and correct we do not make any representations or warranties of any kind, express or implied, about the completeness, accuracy, reliability and suitability of the doors and products that appear in this literature.

We aim to showcase as many different items as possible in our kitchen images and therefore some products have been installed and photographed purely to show as many of our product features as possible and they should not be taken as an example of how they are intended to be installed in real kitchen installations.

**It is the responsibility of the installer to check the corresponding manufacturer's installation information and the manufacturer's technical information to ensure this is up to date and to ensure that the products can be fitted in a way they are displayed and the products are suitable for your requirements.**

We specifically exclude any liability in this regard unless the products are fitted in accordance with the specifications we supply and the manufacturer's installation recommendations are used in a way recommended by the manufacturer and in accordance with the manufacturer's technical information provided.

**The information shown in this literature is accurate as at the date of release but it may be subject to changes after such date.** Please therefore ensure that you are viewing the most current product information available and check with us if you have any doubt about the suitability of the product or accuracy of the information shown.

We are proud that all our products that we sell are covered by a statutory warranty but this does not stop all our products naturally ageing overtime. **As a result of this natural ageing process we are therefore unable to provide an identical colour finish to the existing products you have purchased from us with any products that we supply you from the same product line.** In such event our liability will be limited to the purchase price paid for the product you are seeking to replace.

Due to the limitations on photographic reproduction, colours may differ slightly from the actual products shown.

Please note that board matches listed with the doors are a suggestion only and better board matches may be available on the market. It is up to the individual to decide on its suitability.

# CARTMEL COLOURS STOCKED



## ANTHRACITE

Prefix code: 358

Suggested MFC Board Match:

Egger U961/Kronospan 0164/RAL 7016



## CASHMERE

Prefix code: 351

Suggested MFC Board Match:

Egger U702/Kronospan 5981



## DUST GREY

Prefix code: 355

Suggested MFC Board Match:

Egger U732/Kronospan 0171/RAL 7037



## INDIGO

Prefix code: 357

Suggested MFC Board Match:

Egger U599/RAL 5004



## IVORY

Prefix code: 80

Suggested MFC Board Match:

Egger U104/Kronospan 0514/RAL 1013



## LIGHT GREY

Prefix code: 350

Suggested MFC Board Match:

Egger U708/Kronospan 0191/RAL 7047

# CARTMEL COLOURS STOCKED CONT. / PTO



## MUSSEL

Prefix code: 352

Suggested MFC Board Match:  
Egger U100/Kronospan 5982



## SAGE GREEN

Prefix code: 77

Suggested MFC Board Match:  
N/A



## WHITE

Prefix code: 353

Suggested MFC Board Match:  
Egger W1000/Kronospan 8685/RAL 9016

## PAINT TO ORDER

Prefix code: 81

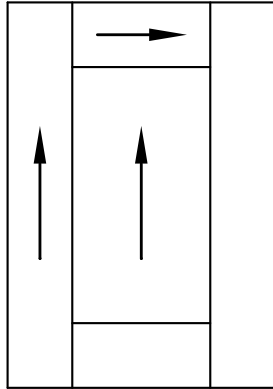
23 standard colours (shown below) & bespoke option available with colour match.  
Board matches vary, see Trade Index for more info.



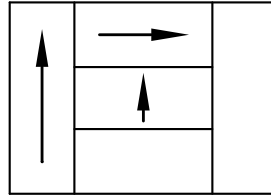
NEUTRAL	Super White	White	Porcelain	Chalkstone	Mussel			
EARTHY	Cashmere	Taupe Grey	Pebble Grey	Dakar	Stone Grey	Lava		
GREY	White Grey	Light Grey	Silver Grey	Dust Grey	Onyx Grey			
BLUE & GREEN	Sage Green	French Grey	Fjord	Denim	Smoke Blue	Midnight Blue	Indigo Blue	

# CARTMEL PRODUCT INFORMATION

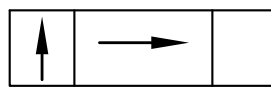
## Grain Direction



Door Grain Direction

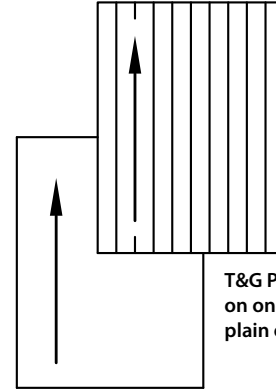


283 / 355mm



110 / 140 / 175mm

Drawer Grain Direction

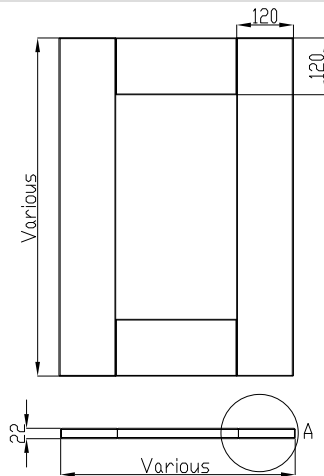
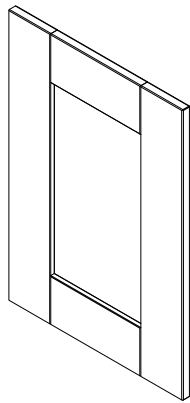


T&G Panel only available in size 2400 x 650mm

T&G Panels are T&G on one side and plain on the reverse

Panel Grain Direction

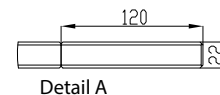
## Door



### Product Information

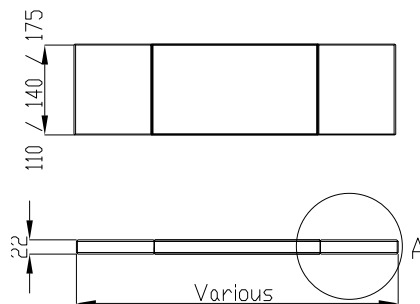
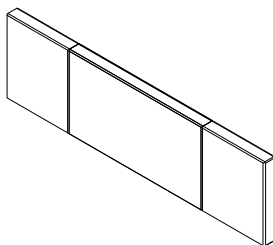
5 piece foil wrapped shaker door with flat centre panel & feature joints. Paint to Order doors are overpainted.

**715 x 146mm door:** This is a slab door with vertical grain direction.



Detail A

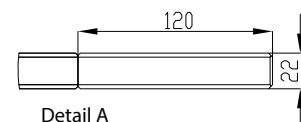
## Drawer



### Product Information

3 piece foil wrapped/overpainted foil wrapped drawer, 110/140/175mm (h).

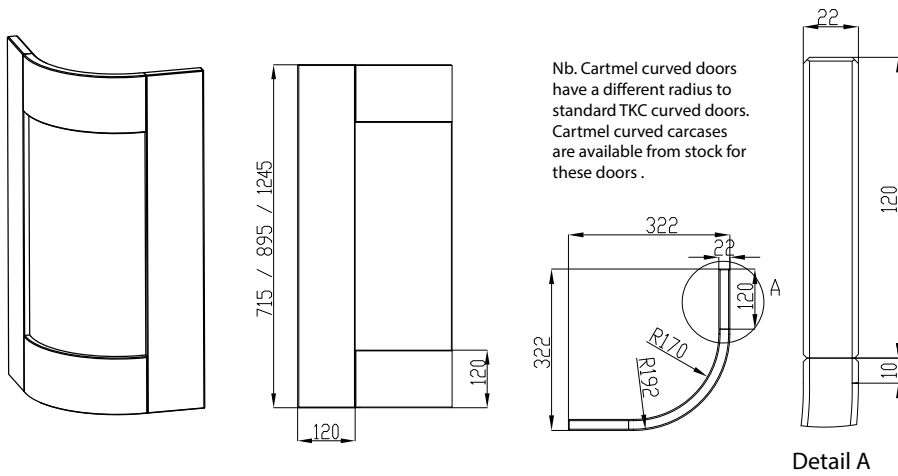
All other drawer heights are based on the door design above.



Detail A

# CARTMEL PRODUCT INFORMATION

## Cartmel Curved Door



Nb. Cartmel curved doors have a different radius to standard TKC curved doors. Cartmel curved carcasses are available from stock for these doors.

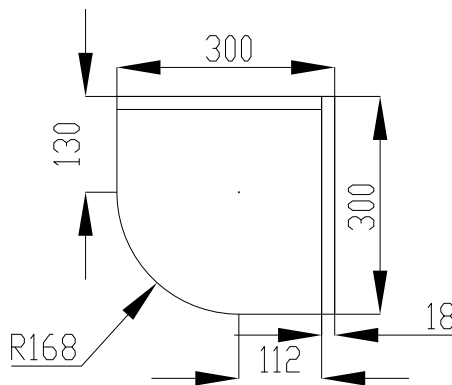
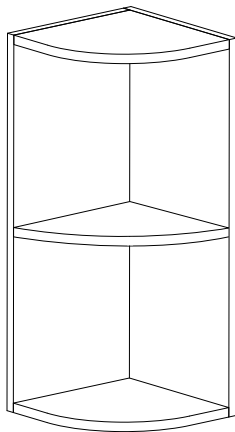
### Product Information

5 piece foil wrapped/overpainted foil wrapped curved door with centre panel & feature joints.

**Product Codes**  
 XXXCURVE (715mm)  
 XXXCURVE895MM (895mm)  
 XXXCURVE1245MM (1245mm)

Curved carcasses are also available for Cartmel curved doors, see below.

## Cartmel Curved Carcase (External Curve)



### Product Information

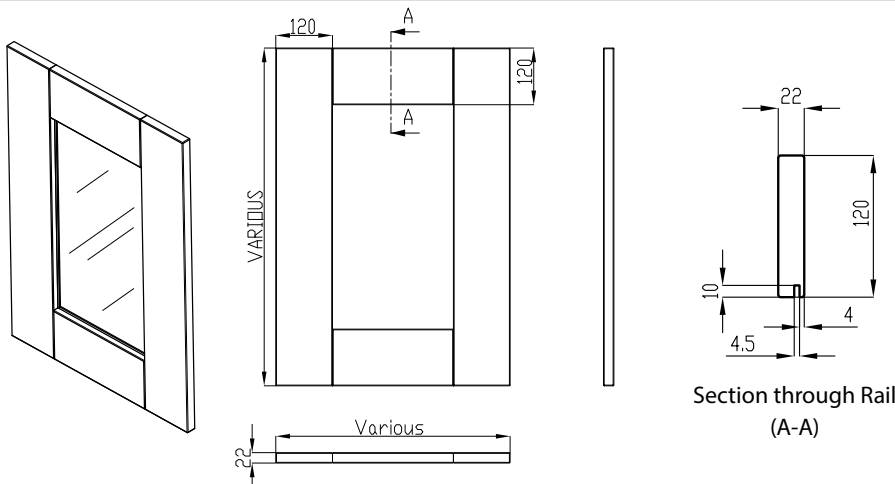
Radius carcase to be used with Cartmel curved doors.

**Product Codes**  
 XXXRADIUSCART (720mm height)  
 XXXTRADIUSCART (900mm height)  
 XXXETRADIUSCART (1970mm height)

**Prefix Codes**  
 Stone Grey: 87  
 Oak: 186  
 White: 184  
 Ivory: 183  
 Light Grey: 187

Nb. legs must be purchased separately for 720mm carcasses if used as a base.

## Glazed Frame Door (stocked colours) / Frame Door with clear glass (PTO)



### Product Information

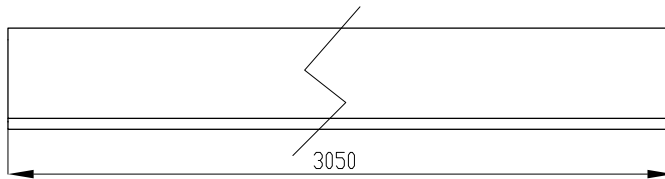
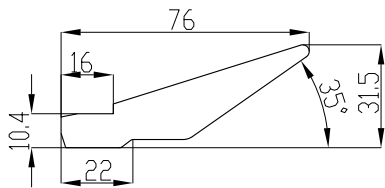
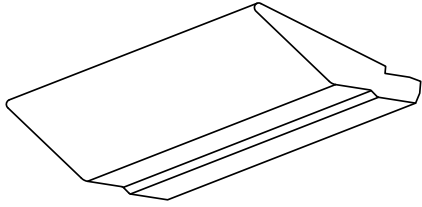
Foil wrapped/overpainted foil wrapped door with feature joints.

Stocked colours come ready glazed with 4mm clear toughened glass.

Paint to Order doors are supplied with the glass and frame separate and the customer must arrange for this to be fitted.

# CARTMEL PRODUCT INFORMATION

## Tangent Cornice



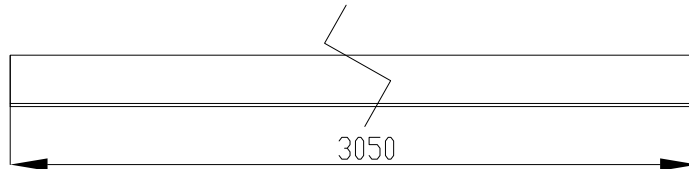
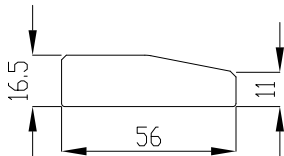
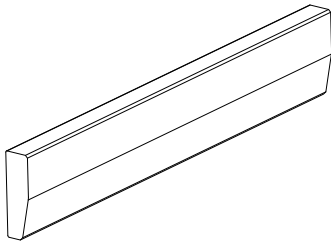
### Product Information

Foil wrapped/overpainted foil wrapped MDF.

### Product Code

XXXCORNIC

## Tangent Pelmet



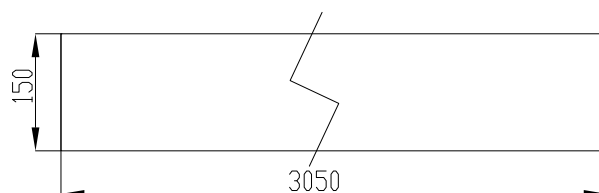
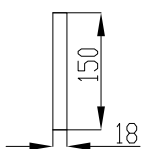
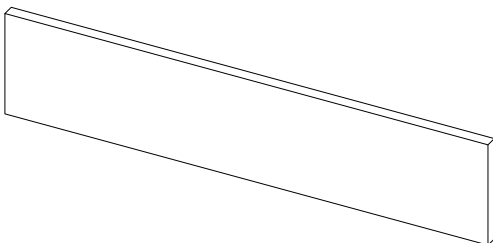
### Product Information

Foil wrapped/overpainted foil wrapped MDF.

### Product Code

XXXPELMET

## Plinth



### Product Information

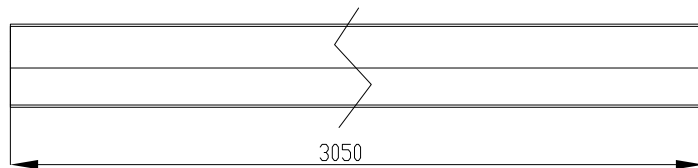
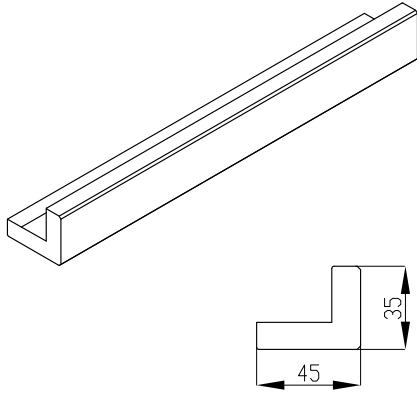
Foil wrapped/overpainted foil wrapped face and long edges, chipboard core.

### Product Code

XXXPLINTH

# CARTMEL PRODUCT INFORMATION

## Square End Straight Cornice/Pelmet



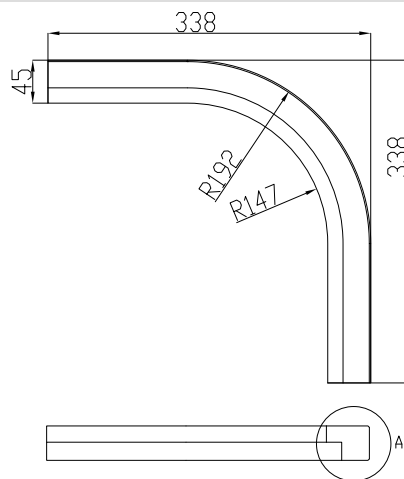
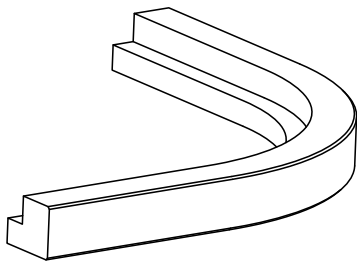
### Product Information

Foil wrapped/overpainted foil wrapped MDF.

### Product Code

XXXCORNICESQ

## Square End Curved Cornice/Pelmet

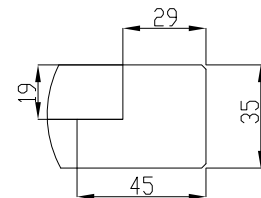


### Product Information

Foil wrapped/overpainted foil wrapped MDF.

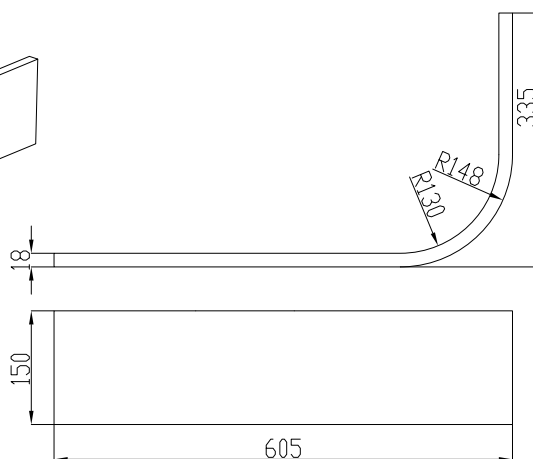
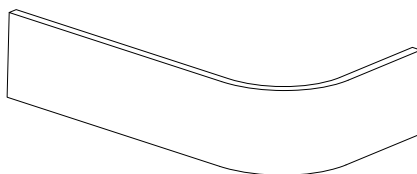
### Product Code

XXXCURVECORNICESQ



Detail A

## Curved Plinth



### Product Information

Foil wrapped/overpainted foil wrapped MDF.

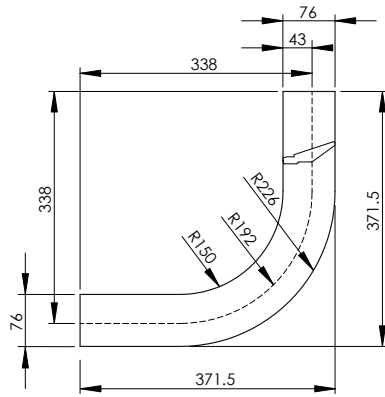
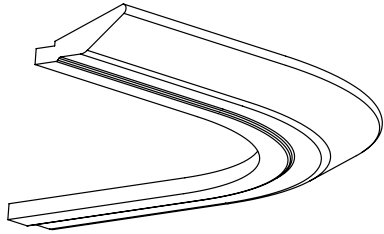
### Product Code

XXXCURVEPLINTH



# CARTMEL PRODUCT INFORMATION

## Curved Tangent Cornice

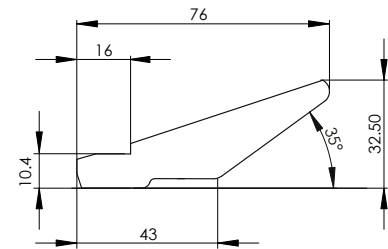


### Product Information

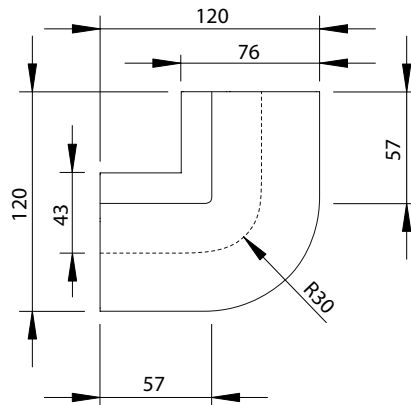
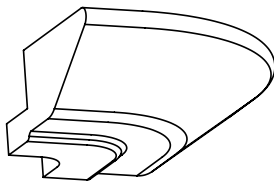
Stocked colours are foil wrapped MDF, apart from Ivory and Sage Green which are overpainted foil wrapped MDF to match the door, as are Paint to Order doors.

### Product Code

XXXCURVECORNICE



## Curved Cornice Block - for use with Curved End Pillar

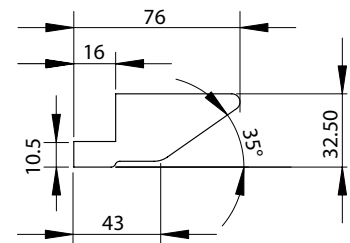


### Product Information

Stocked colours are foil wrapped MDF, apart from Ivory and Sage Green which are overpainted foil wrapped MDF to match the door, as are Paint to Order doors.

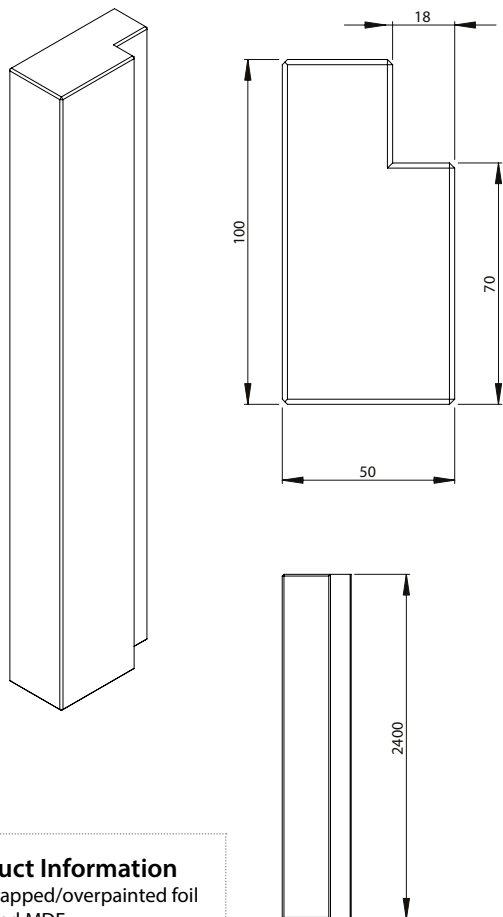
### Product Code

XXXRENDORNICE



# CARTMEL PRODUCT INFORMATION

## Straight End Pillar

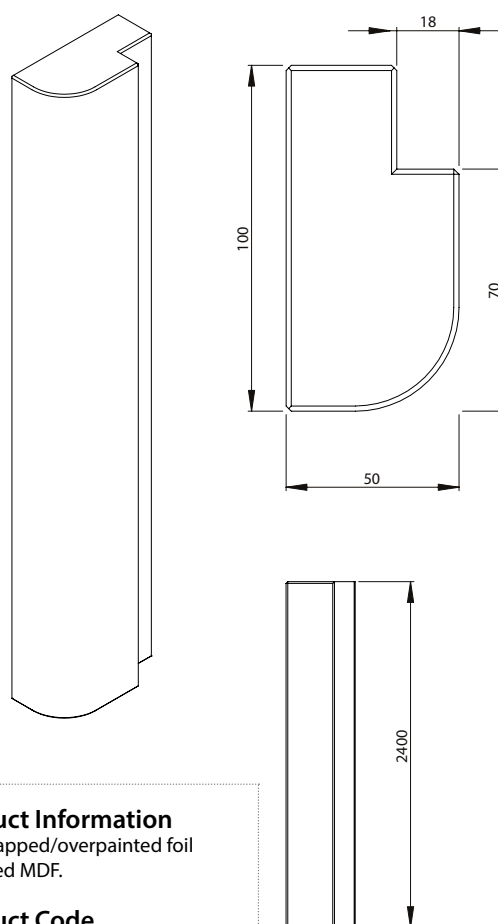


**Product Information**  
Foil wrapped/overpainted foil wrapped MDF.

**Product Code**  
XXXPILLAR

This item can be used in conjunction with an end panel.

## Curved End Pillar



**Product Information**  
Foil wrapped/overpainted foil wrapped MDF.

**Product Code**  
XXXRENDPILLAR

This item can be used in conjunction with an end panel. It can also be used with the Curved Cornice Block (code: XXXRENDCORNIC).

# CARTMEL PRODUCT INFORMATION

### Corner Posts

Sold as a pair

**Product Information**  
Foil wrapped/overpainted foil wrapped MDF.

**Product Code**  
XXXCORNERPOST

### Floor Column - painted timber

**Product Information**  
Hand painted timber to match door, available from stock.

**Product Code**  
XXXCOLUMN

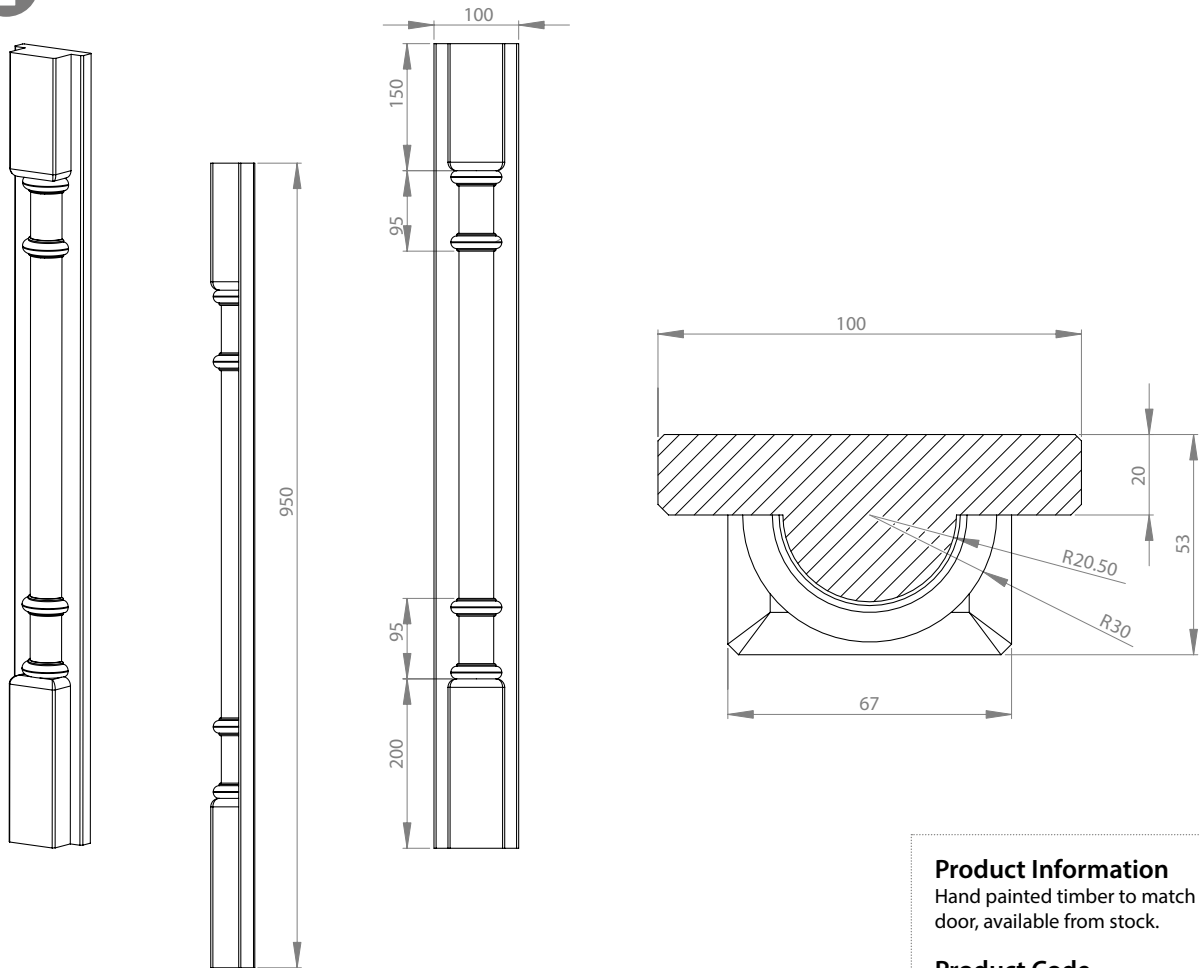
### Plate Rack 1200 - painted timber

**Product Information**  
Hand painted timber to match door, available from stock.

**Product Code**  
XXXPLATE120

# CARTMEL PRODUCT INFORMATION

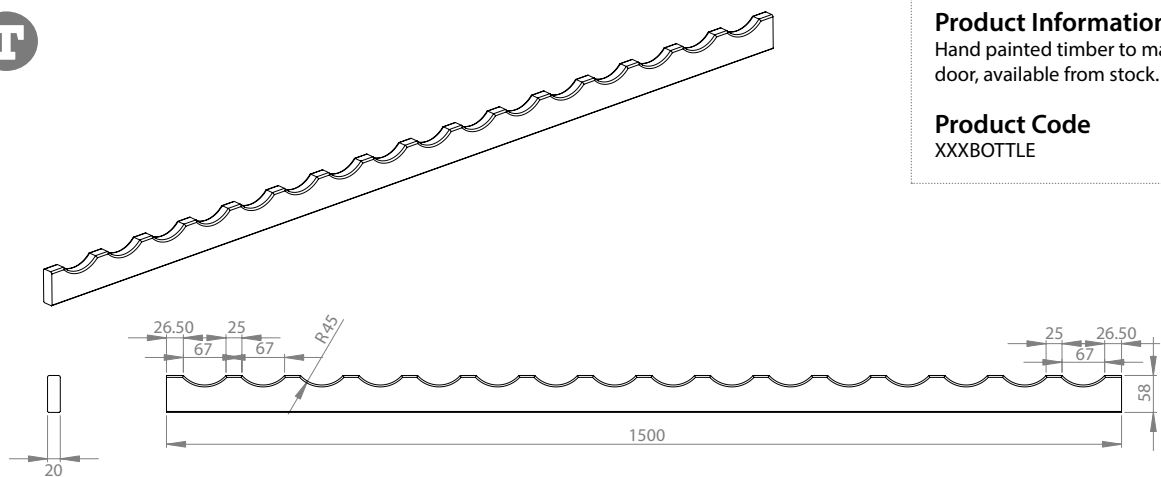
## Barrel Pilaster - painted timber



**Product Information**  
Hand painted timber to match door, available from stock.

**Product Code**  
XXXPBARREL

## Bottle Rack - painted timber

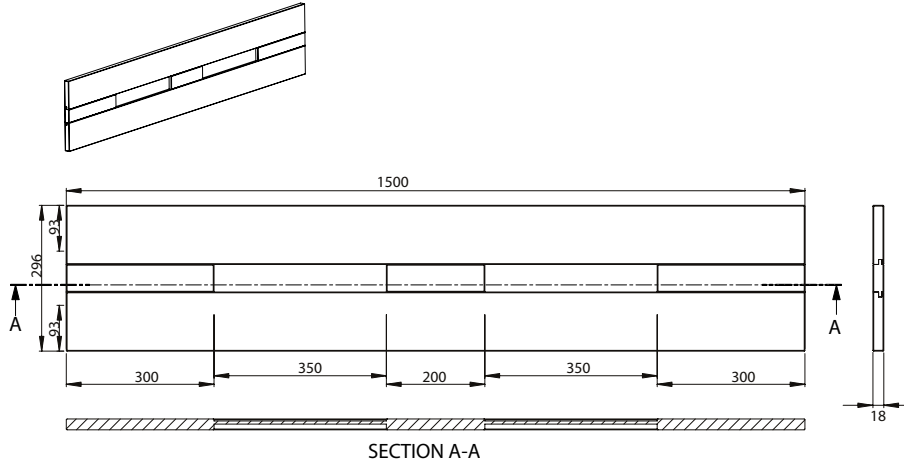


**Product Information**  
Hand painted timber to match door, available from stock.

**Product Code**  
XXXBOTTLE

# CARTMEL PRODUCT INFORMATION

## Mantel Top



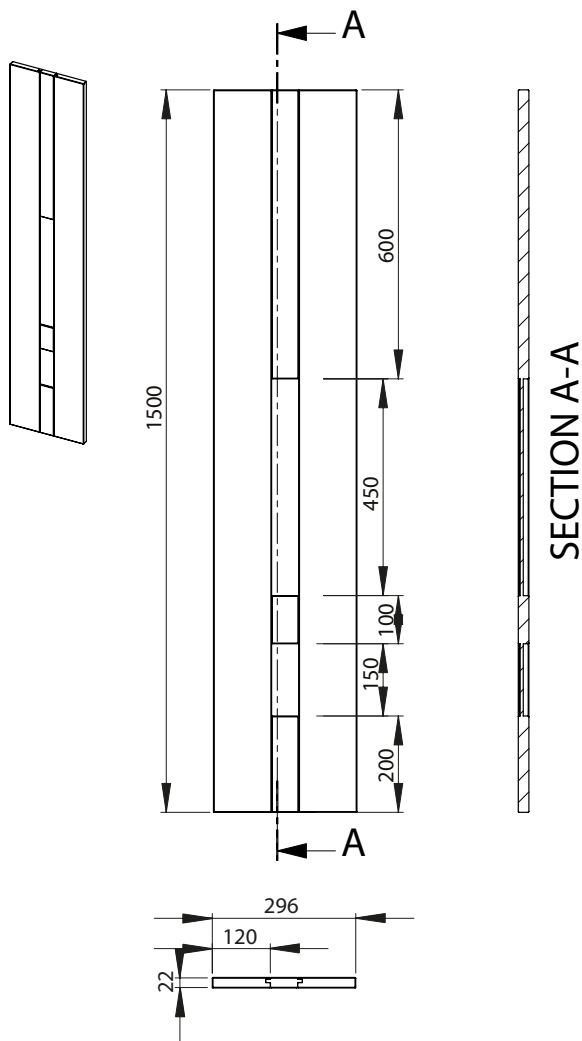
### Product Information

7 piece foil wrapped/  
overpainted foil wrapped  
mantel top with flat centre  
panel and feature joints.

### Mantel Top Product Code

XXXMANTELTOP

## Mantel Side



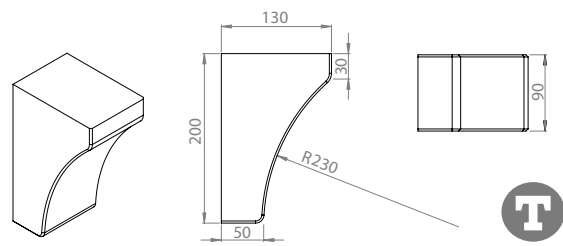
### Product Information

7 piece foil wrapped/  
overpainted foil wrapped  
mantel side with flat centre  
panel and feature joints.

### Mantel Side Product Code

XXXMANTELSIDE

## Mantel Corbel - painted timber



### Product Information

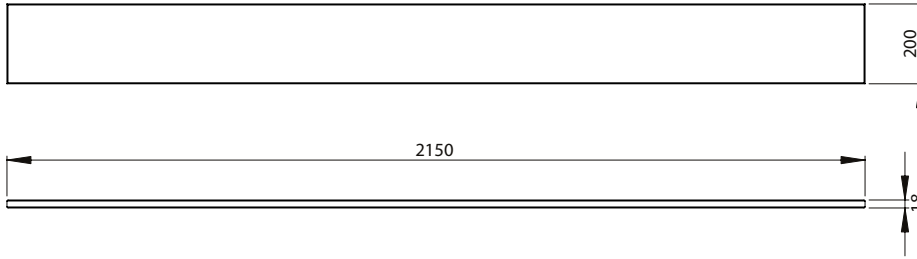
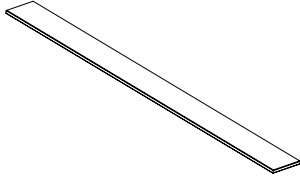
Hand painted timber to match  
door, available from stock.

### Mantel Corbel Product Code

XXXMANTELBKT

# CARTMEL PRODUCT INFORMATION

## Mantel Shelf



**Product Information**  
Foil wrapped/overpainted foil wrapped MDF.

**Mantel Shelf**  
**Product Code**  
XXXMANTELSHELF

## Mantel Kit Complete

### Product Information

1 x Mantel Top (1500 x 296mm)  
2 x Mantel Side (1500 x 296mm)  
2 x Mantel Corbel (200 x 90mm)  
1 x Mantel Shelf (2150 x 200mm)

### Product Code

XXXMANTELKIT

