

# Made to Measure Doors and Matching Accessories





# Zurfiz

This stunning made to measure collection of ultra modern doors are available in 26 colour options - a mix of ultragloss solid colours, stone and metal effects, woodgrains and metallics along with supermatts and all rounded off by a brushed metal.

To add to the choice and flexibility of the range the doors are also offered with 3 edge options, matching edge, plywood effect and a stunning glass effect 3D edge producing a deceptively real glazed appearance.

- Available in kitchen, bedroom and bathroom made to measure sizes.
- 18mm MDF & MFC finishes in Acrylic, Melamine, PET and PVC materials with stunning gloss and matt levels.
- Edging applied using PUR (Poly Urethane Reactive) glue with a much higher heat and moisture resistance than normal hot melt glues.
- A selection of Zurfiz doors are FSC® or PEFC certified and have attained the FIRA gold award.
- The Zurfiz range carries a 6 year warranty.
- Manufactured and despatched within 7 working days.



Cert No. PC0051

The FIRA Gold Award is the ultimate mark of product excellence within the furniture industry and provides a solid reassurance that a product meets all necessary standards.

A selection of Zurfiz doors have been tested by FIRA and achieved the FIRA gold award. Tests : BS 6222-3.

# Zurfiz

## Colour Options\*

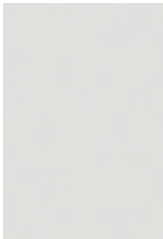
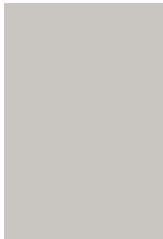
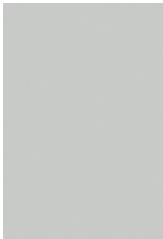

The manufacturers board references listed below are for guidance only. Check colour samples from your board supplier for your own approval. As an alternative to melamine boards we can supply you with matching panels.

### Zurfiz Ultragloss

					
<p><b>Glacier White</b></p> <p>Base Material: <b>MDF</b>            Back Colour: <b>Matching</b>            Egger: <b>W1300</b></p>	<p><b>White</b></p> <p>Base Material: <b>MDF</b>            Back Colour: <b>Matching</b>            Egger: <b>W980</b>            Kronospan: <b>K101</b>            Pfeleiderer: <b>W300</b>            Finsa: <b>White 020</b></p>	<p><b>Cream</b></p> <p>Base Material: <b>MDF</b>            Back Colour: <b>Matching</b>            Egger: <b>U104</b>            Kronospan: <b>U514</b>            Pfeleiderer: <b>U1303</b>            Finsa: <b>Ivory-Bama 65B</b></p>	<p><b>Cashmere</b></p> <p>Base Material: <b>MDF</b>            Back Colour: <b>Matching</b>            Egger: <b>U702</b>            Kronospan: <b>5981</b>            Pfeleiderer: <b>U1168</b>            Finsa: <b>15R</b></p>	<p><b>Light Grey</b></p> <p>Base Material: <b>MDF</b>            Back Colour: <b>Matching</b>            Egger: <b>U708</b>            Pfeleiderer: <b>U1188</b></p>	<p><b>Stone Grey</b></p> <p>Base Material: <b>MDF</b>            Back Colour: <b>Silver</b>            Order matching panels, see page 119</p>
					
<p><b>Baltic Blue</b></p> <p>Base Material: <b>MDF</b>            Back Colour: <b>Light Grey</b>            Order matching panels, see page 119</p>	<p><b>Black</b></p> <p>Base Material: <b>MDF</b>            Back Colour: <b>Matching</b>            Egger: <b>U999</b>            Kronospan: <b>U190</b>            Pfeleiderer: <b>U1200</b>            Finsa: <b>Negro 231</b></p>	<p><b>Metallic Champagne</b></p> <p>Base Material: <b>MDF</b>            Back Colour: <b>Silver</b>            Order matching panels, see page 119</p>	<p><b>Metallic Blue</b></p> <p>Base Material: <b>MDF</b>            Back Colour: <b>Silver</b>            Order matching panels, see page 119</p>	<p><b>Metallic Anthracite</b></p> <p>Base Material: <b>MDF</b>            Back Colour: <b>Silver</b>            Egger: <b>U961</b></p>	<p><b>Limestone</b></p> <p>Base Material: <b>MDF</b>            Back Colour: <b>Matching</b>            Alvic: <b>Melange 1</b></p>
		<h3>CERTIFICATIONS</h3> <p>Colours marked (P) are PEFC Certified.            Colours marked (F) are FSC Certified.</p> <p>Note:</p> <ul style="list-style-type: none"> <li>• All Serica matt colours have Serica foil both sides.</li> <li>• All Supermatt colours have Supermatt foil both sides.</li> <li>• Japanese Pear - We cannot guarantee matching grain directions on replacement orders only. There can be slight variances in batches over time.</li> <li>• For woodgrain/patterned finishes: Due to variance in pattern repeat and production processes we cannot guarantee a matched pattern/book match on door runs/combinations or drawer packs.</li> <li>• ONLY Metallic Blue and Metallic Champagne are directional as marked by arrows on the protective film. The arrows must point upwards when fitted. Please ensure when ordering doors with inset or inter handles or with drilling that you specify left or right hand doors.</li> </ul>			
<p><b>Copperleaf</b></p> <p>Base Material: <b>MDF</b>            Back Colour: <b>Matching</b>            Alvic: <b>Cuzco Oro</b></p>	<p><b>Japanese Pear</b></p> <p>Base Material: <b>MDF</b>            Back Colour: <b>Silver</b>            Order matching panels, see page 119</p>				

\*Please note printed colour swatches are for reference only and final purchasing decisions should be made after viewing physical swatch – (see page 151).


## Zurfiz Supermatt

(F) 	(F) 	(F) 	(F) 	(F) 
<b>White</b>	<b>Cashmere</b>	<b>Light Grey</b>	<b>Dust Grey</b>	<b>Graphite</b>
Base Material: <b>MDF</b> Back Colour: <b>Matching</b> Egger: <b>W1000</b>	Base Material: <b>MDF</b> Back Colour: <b>Matching</b> Egger: <b>U702</b> Kronospan: <b>5981</b> Pfleiderer: <b>U1168</b> Finsa: <b>15R</b>	Base Material: <b>MDF</b> Back Colour: <b>Matching</b> Egger: <b>U708</b> Pfleiderer: <b>U1188</b>	Base Material: <b>MDF</b> Back Colour: <b>Matching</b> Egger: <b>U732</b>	Base Material: <b>MDF</b> Back Colour: <b>Matching</b> Egger: <b>U961</b>

## Zurfiz Serica Matt

(F) 	(F) 	(F) 	(F) 	(F) 	(F) 
<b>Pebble</b>	<b>Taupe</b>	<b>Kombu Green</b>	<b>Plum</b>	<b>Indigo Blue</b>	<b>Black</b>
Base Material: <b>MDF</b> Back Colour: <b>Matching</b> Egger: <b>U201</b>	Base Material: <b>MDF</b> Back Colour: <b>Matching</b>	Base Material: <b>MDF</b> Back Colour: <b>Matching</b>	Base Material: <b>MDF</b> Back Colour: <b>Matching</b>	Base Material: <b>MDF</b> Back Colour: <b>Matching</b>	Base Material: <b>MDF</b> Back Colour: <b>Matching</b> Egger: <b>U999</b>

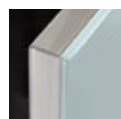
## Zurfiz Special

(F) 
<b>Stainless Steel</b>
Base Material: <b>MDF</b> Back Colour: <b>Silver</b> Order matching panels, see page 119.

## Zurfiz Edge Options



Matching



Glass Effect



Plywood Effect

The Zurfiz range is available in 3 edge options:

Note:

- Glass effect only available in Ultragloss colours (except Ultragloss Stone Grey)

### BOARD MANUFACTURERS DISTRIBUTOR DETAILS:

[www.eggerstockists.com/product-type-search.php](http://www.eggerstockists.com/product-type-search.php)

[www.pfleiderer.co.uk/distributors](http://www.pfleiderer.co.uk/distributors)

[www.finsa.com](http://www.finsa.com)

(click tools, click distributors, click Superpan Tech)

[www.panelco.com](http://www.panelco.com) (UK Distributor for Alvic Board)

Contact Kronospan on Tel: **01691 773361**

### Technical specification

- All doors and drawer fronts are 18mm thick.
- Available in any size within the specifications below.
- Minimum height 100mm, maximum height 2540mm.
- Minimum width 100mm, maximum width 1200mm.
- Woodgrain direction on drawer fronts is horizontal, 100mm – 282mm High.
- Woodgrain direction on doors is vertical, 283mm – 2540mm High.
- Horizontal woodgrain can be supplied on doors up to 1200mm High, please specify when ordering.
- See page 114 & 115 for details of colours and board matches.

Size H x W	Size H x W	Size H x W	Size H x W	Size H x W
115 x 396	355 x 896	715 x 996	1245 x 596	2155 x 296
115 x 496	355 x 996	715 x 1200	1245 x 796	2155 x 396
115 x 596	415 x 396	895 x 296	1245 x 996	2155 x 446
140 x 296	415 x 446	895 x 396	1245 x 1200	2155 x 496
140 x 396	415 x 496	895 x 396	1375 x 396	2155 x 596
140 x 496	415 x 596	895 x 496	1375 x 496	2155 x 796
140 x 596	450 x 596	895 x 596	1435 x 396	2155 x 996
140 x 796	490 x 496	900 x 296	1435 x 496	2155 x 1200
140 x 896	535 x 396	900 x 396	1435 x 796	2250 x 296
140 x 996	535 x 496	900 x 446	1435 x 996	2250 x 396
175 x 396	570 x 296	900 x 496	1435 x 1200	2250 x 446
175 x 496	570 x 396	900 x 596	1450 x 396	2250 x 496
175 x 596	570 x 446	900 x 796	1450 x 496	2250 x 596
175 x 796	570 x 496	900 x 996	1495 x 396	2400 x 296
175 x 996	570 x 596	900 x 1200	1495 x 446	2400 x 396
215 x 396	645 x 596	980 x 596	1495 x 496	2400 x 446
215 x 496	650 x 296	1055 x 396	1495 x 596	2400 x 496
215 x 596	650 x 396	1055 x 446	1495 x 796	2400 x 596
215 x 796	650 x 446	1055 x 496	1495 x 996	2540 x 296
215 x 996	650 x 496	1055 x 596	1495 x 1200	2540 x 396
283 x 496	650 x 596	1060 x 396	1735 x 296	2540 x 446
283 x 596	715 x 146	1060 x 446	1735 x 396	2540 x 496
283 x 796	715 x 296	1060 x 496	1735 x 446	2540 x 596
283 x 896	715 x 396	1060 x 596	1735 x 496	2540 x 796
283 x 996	715 x 446	1060 x 596	1735 x 596	2540 x 996
355 x 496	715 x 496	1245 x 296	1735 x 796	2540 x 1200
355 x 596	715 x 596	1245 x 396	1735 x 996	
355 x 796	715 x 796	1245 x 496	1735 x 1200	

### STANDARD SIZES

Above shows standard size kitchen and bedroom doors and drawer fronts.

### MADE TO MEASURE DOOR SURCHARGES

For Pricing of made to measure Doors and Drawer Fronts, use next standard size up and add 10%.

### HINGE HOLES

35mm diameter x 13mm depth.

### Colour Surcharges

COLOUR	A	B	COLOUR	A	B	COLOUR	A	B
Supermatt Cashmere	■		Serica Matt Indigo Blue	■		Ultragloss Light Grey		■
Supermatt Dust Grey	■		Serica Matt Black	■		Ultragloss Stone Grey		■
Supermatt Graphite	■		Ultragloss Baltic Blue		■	Ultragloss Limestone		■
Supermatt Light Grey	■		Ultragloss Black		■	Ultragloss Metallic Anthracite		■
Supermatt White	■		Ultragloss Cashmere		■	Ultragloss Metallic Blue		■
Serica Matt Pebble	■		Ultragloss Copperleaf		■	Ultragloss Metallic Champagne		■
Serica Matt Taupe	■		Ultragloss Glacier White		■	Ultragloss White		■
Serica Matt Kombu Green	■		Ultragloss Cream		■	Brushed Metal Stainless Steel		■
Serica Matt Plum	■		Ultragloss Japanese Pear		■			



BM Stainless Steel	SM Cashmere	SM Dust Grey	SM Graphite	SM Light Grey	SM White	UG Baltic Blue	UG Black	UG Cashmere	UG Copperleaf	UG Cream	UG Glacier White	UG Japanese Pear	UG Light Grey	UG Stone Grey	UG Limestone	UG Metallic Anthracite	UG Metallic Blue	UG Metallic Champagne	UG White	Serica Matt Pebble	Serica Matt Taupe	Serica Matt Kombu Green	Serica Matt Indigo Blue	Serica Matt Black
--------------------	-------------	--------------	-------------	---------------	----------	----------------	----------	-------------	---------------	----------	------------------	------------------	---------------	---------------	--------------	------------------------	------------------	-----------------------	----------	--------------------	-------------------	-------------------------	-------------------------	-------------------

Curved doors	■	■	■	■	■	■	■	■	■	■	■	■	■	■	■	■	■	■	■	■	■	■	■	■
Curved Plinth		■	■	■	■	■	■	■	■	■	■	■	■	■	■	■	■	■	■	■	■	■	■	■
Curved Multi-Purpose Rail		■	■	■	■	■	■	■	■	■	■	■	■	■	■	■	■	■	■	■	■	■	■	■
Multi-Purpose Rail		■	■	■	■	■	■	■	■	■	■	■	■	■	■	■	■	■	■	■	■	■	■	■
Edging Tape	■	■	■	■	■	■	■	■	■	■	■	■	■	■	■	■	■	■	■	■	■	■	■	■
Plinth	■	■	■	■	■	■	■	■	■	■	■	■	■	■	■	■	■	■	■	■	■	■	■	■
End Panels	■	■	■	■	■	■	■	■	■	■	■	■	■	■	■	■	■	■	■	■	■	■	■	■
Made to Measure Panels/Tops	■	■	■	■	■	■	■	■	■	■	■	■	■	■	■	■	■	■	■	■	■	■	■	■

Key: **SM** = Supermatt, **UG** = Ultragloss, **UM** = Ultramatt To order curved cabinets or for technical details on curved components see page 118.



**Curved Kitchen Doors & Plinth**

(matching edge & silver back, except UG Baltic Blue which has a light grey back)  
715mm x 298mm x 298mm (wall/base door). Code: **AZCD7**  
- Curved plinth 150mm x 250mm x 250mm. Fit front edge 50mm back from edge of carcass. Code: **AZCDP15**



**Curved Multi-Purpose Rail**

320mm x 320mm x 36mm  
For use as cornice and pelmet.  
- Fit front edge flush with front of curved door. Code: **AZCMPR**



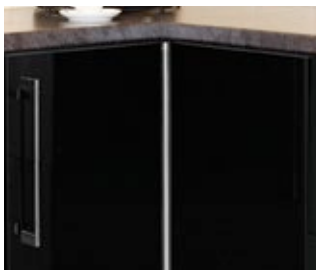
**Multi-Purpose Rail**

55mm W x 36mm T x 3050mm L  
Code: **AZMPR**



**Heat Deflectors**

- For use with a 600mm Single Oven (fitted into a tall appliance tower cabinet). Code: **APHD7**  
- For use with a 900mm Double Oven (fitted into a tall appliance tower cabinet). Code: **APHD9**  
- For use with a 600mm Single Oven (fitted into a Built-Under Oven cabinet). Code: **APHD6**



**Hinged Corner Post**

715mm. Complete with all fixings.  
Note: Reduce door widths as illustration.  
Stainless steel Code: **AHCPSS**  
Satin chrome Code: **AHCPSC**



**Internal Corner Post\***

720H x 80 x 80 L-Shape, 2 piece  
Code: **AZCORNER80**

**Edging Tape**

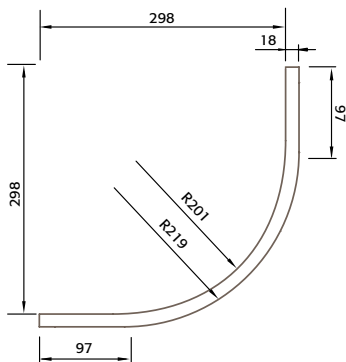
22mm W x 1mm x 10m L roll of edging. Matching colours.  
Code: **AZMATCHEDG**  
Glass effect colours  
Code: **AZGLASSEDG**  
Plywood effect  
Code: **AZPLYWEDGE**

\* See page 128 & 129 for corner planning details.

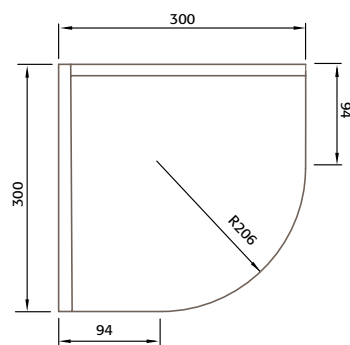


### PLAIN DOORS

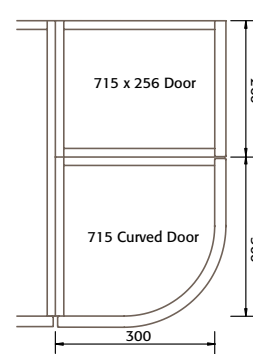
715 x 298 x 298 Wall/Base Door



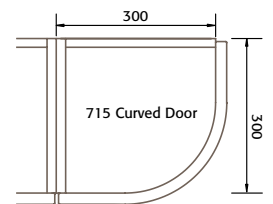
### CABINET



### BASE CABINET

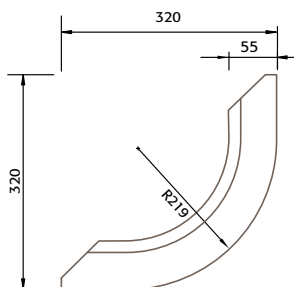


### WALL CABINET



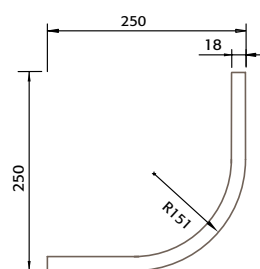
### CURVED MULTI-PURPOSE RAIL (CORNICHE)

Fit front edge flush with front of curved door



### 150 HIGH CURVED PLINTH (KITCHEN)

Fit front edge 50mm back from edge of carcass



### BELLA CURVED DOOR CABINET

Vinyl wrapped components. Some colours do not have a matching back, see pages 80-81. 720mm x 300mm x 300mm (2 shelves). Code: **ACDC7**

For Zurfiz curved door cabinets order from the Bella colour options.

Not available in Opengrain White.





See page 116 for A & B colour surcharges

### Plinth

Plinth is available in any height between 100mm and 150mm x 3M long. Exceptions: UG Limestone and Copperleaf = 2.715M L. Supplied with matching edging on one long edge. Code: **AZPLINTH**

### Aluminium Plinth

150mm H x 3M L  
Pack of 10 clips included. Code: **AAP**

### End Panels

Edged 4 sides - edging supplied as doors ordered, unless specified. Refer to page 114-115 for Back Colours of End Panels.

900 x 350mm  
900 x 650mm  
2400 x 650mm

### Made to Measure Panels/Tops (edged 4 sides)

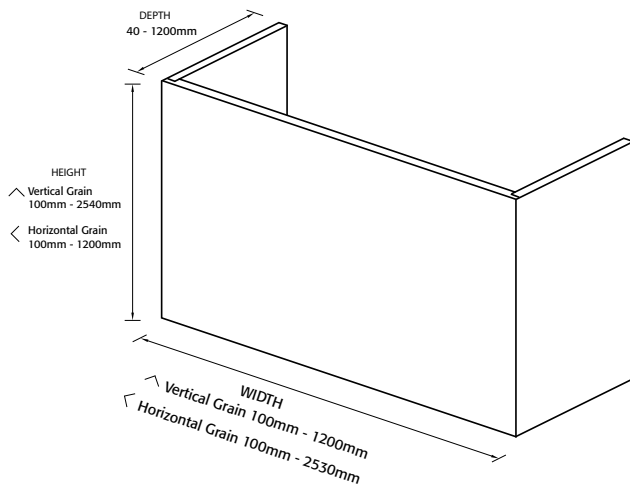
Available any size from 100 > 2540mm L x 100 > 1200mm W.

### Raw Edge Panels (not edged)

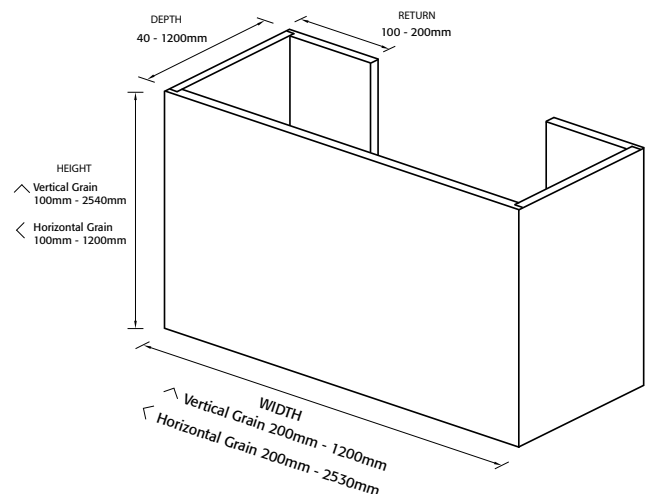
Available any size from 100 > 2540mm L x 100 > 1200mm W.

## Wrap Around End Panels

### WRAP AROUND C-PANEL



### WRAP AROUND G-PANEL



- All panels are 18mm thick and when constructed will have no visible raw edges.
- All panels supplied with a doweled Butt joint for easy assembly.
- Handleless Rail End Panels - use C-Panel with depth of 45mm.
- All panels are vertical grain unless otherwise specified.
- Not available in glass effect edging .
- On G Panel for widths 400mm or less Returns should be 100mm.

### Wrap Around C-Panel

Price per m<sup>2</sup> (3 panels)

Code: **AZPWAC**

### Wrap Around G-Panel

Price per m<sup>2</sup> (5 panels)

Code: **AZPWAG**

See page 116 for A & B colour surcharges.