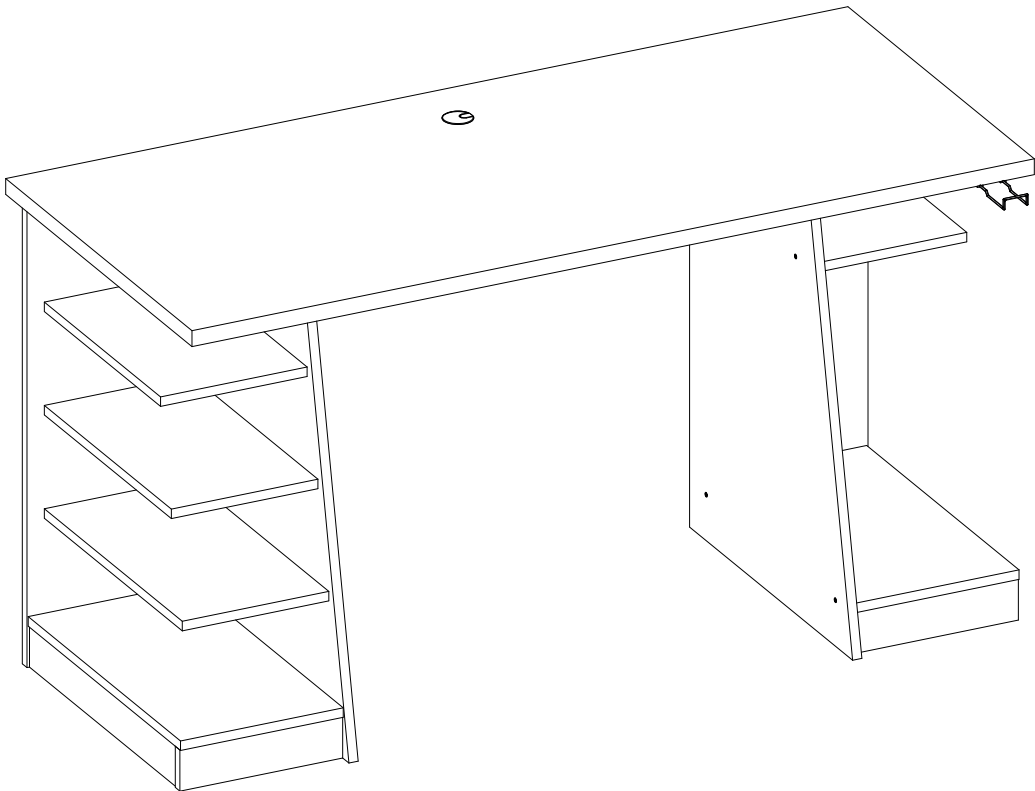




# MODEL RTA-TS91D

## ASSEMBLY INSTRUCTIONS

Thank you for purchasing our product.



REV.032021-0

P.1	RTA-TS91D	P.1
-----	-----------	-----



- Please read carefully the assembly instructions before the installation.




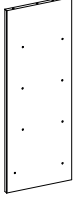
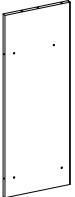
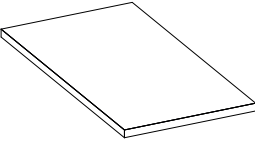
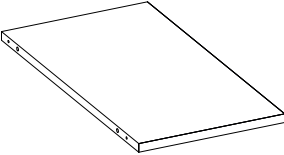
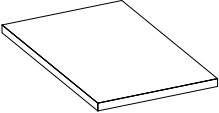
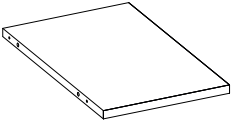
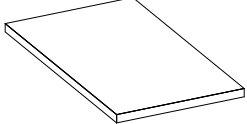
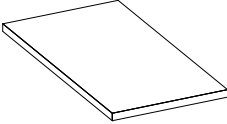
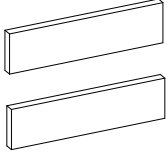
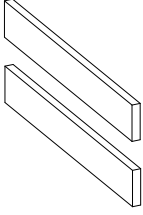
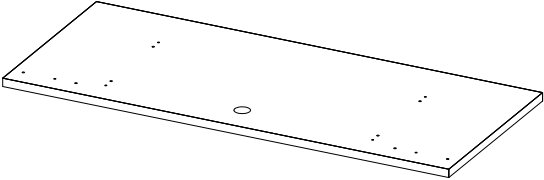


- Do not discard this manual or any of the packaging material until the unit has been completely assembled.

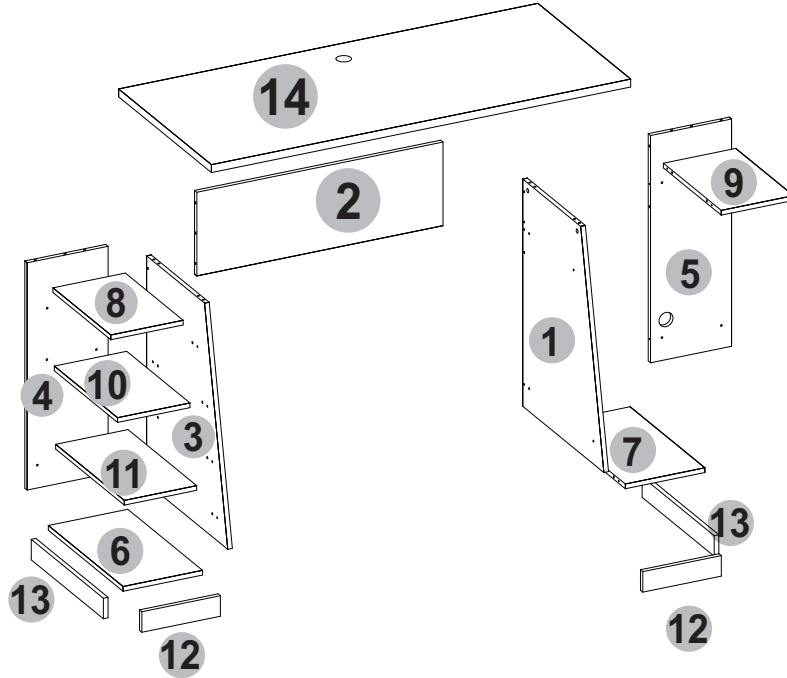


- Might require two people.

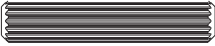

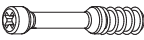


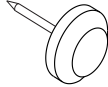


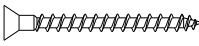
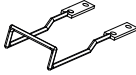


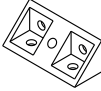
<b>MAIN PARTS LIST</b>			
------------------------	--	--	--

<b>1</b> Right panel x1 	<b>2</b> Central panel x1 	<b>3</b> Left panel x1 	<b>4</b> Back-Left panel x1 
<b>5</b> Back-Right panel x1 	<b>6</b> Left-Bottom panel x1 	<b>7</b> Right-Bottom panel x1 	<b>8</b> Left-Upper shelf x1 
<b>9</b> Right-Upper shelf x1 	<b>10</b> Left-Central shelf x1 	<b>11</b> Left-Lower shelf x1 	<b>12</b> Front skirting board x2 
<b>13</b> Side skirting board x2 	<b>14</b> Main panel x1 		

## MAIN PARTS LAYOUT (FOR REFERENCE):



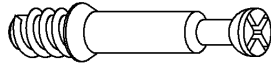
## LIST OF HARDWARE, SCREWS AND FITTINGS

PART	QTY	ITEM		PART	QTY	ITEM	
A	24	6x30mm Wooden Dowels		I	10	15mm plastic adhesive hole covers	
B	10	5x31mm Bolts		J	1	Touch-up chalk	
C	10	12x9mm Cam locks		K	10	12x12x6mm plastic glide stud	
D	26	3.5x40mm Flanged head		L	2	Ø46mm Grommet (cable management)	
E	2	3.5x40mm Flat head		M	1	Headphone holder	
F	4	3.5x20mm					
G	40	4x12mm					
H	10	15x15x40mm corner bracket					

**NOTE:** You will need for the assembly a Phillips screwdriver and mallet/hammer (not included).

► This unit uses cam bolts and locks. The following explains how to use them. This is not an assembly step; it is a guide for when you are actually doing the assembly using this kind of hardware.

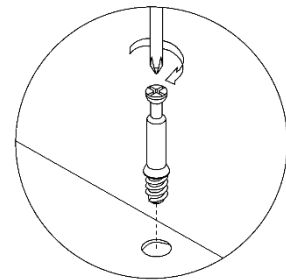
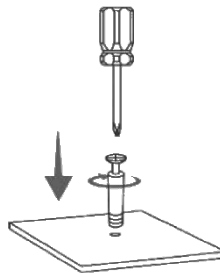
Cam Bolt



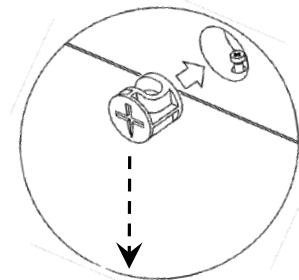
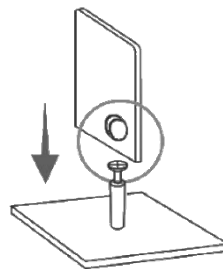
Cam Lock



1. Screw the bolt into the corresponding panel.

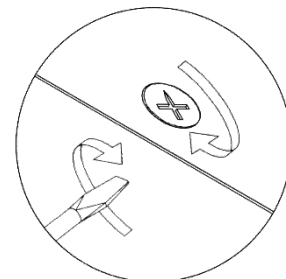
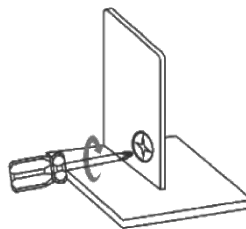


2. Place the other panel over the panel with the bolt, then insert the cam lock to join the bolt's head. If the cam lock does not want to enter, check its proper alignment. There might be a very small gap between the panels which is normal.



**Alignment:** The cross points towards the panel with the bolt.

3. Turn the cam lock clockwise. This will lock the parts together and will close any gaps.



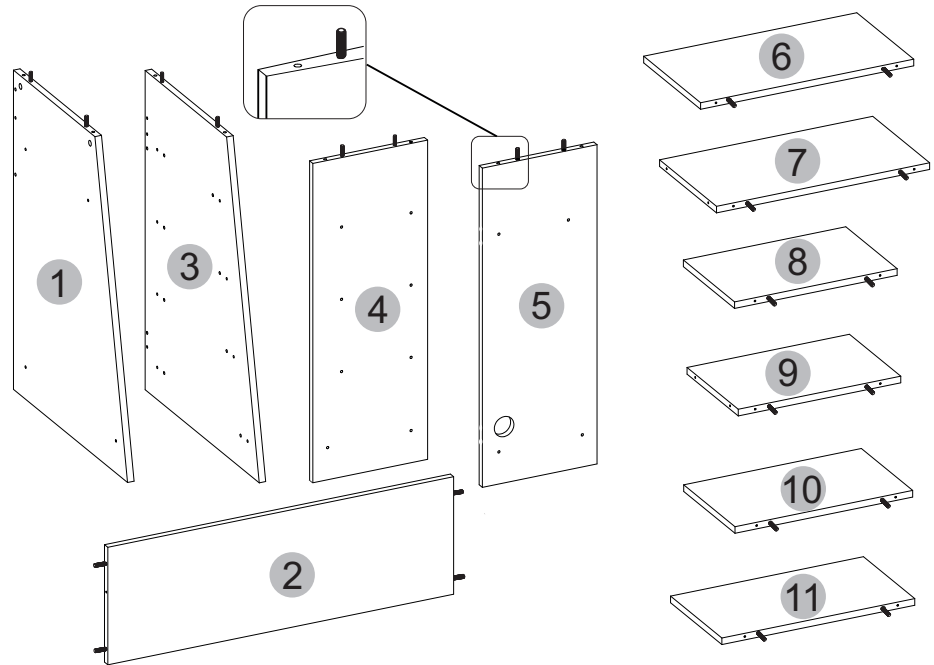
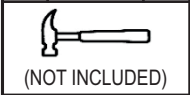
P.5	RTA-TS91D	P.5
<b>BEFORE YOU START THE ASSEMBLY, PLEASE READ THE FOLLOWING TIPS AND WARNINGS.</b>		
<p>① Do a quick inventory to make sure the package contains all the parts and hardware listed in the assembly instructions.</p>	<p>⑦ To avoid misalignments, always leave the screws loose and tighten them until all pieces are positioned correctly.</p>	<p>② Missing, damaged and defective parts can be replaced at no cost to you. Please refer to the last pages on this manual.</p>
<p>③ The replacement parts service is limited to the continental United States. If you reside in Hawaii, Puerto Rico, U.S. Dependencies or other countries, please contact the supplier from where the unit was purchased.</p>	<p>⑧ Do not overtighten or force the screws as they might break, strip, damage the threads of the holes or get stuck inside the part.</p>	<p>⑨ Sometimes the laminate might cover partially or entirely the hole on a panel. If there is no visible hole for the screw, pass and press the tip of your finger over the area where the hole should be located to feel the indentation, and once found, carefully pierce the laminate to reveal the hole underneath.</p>
<p>④ If during assembly you find an issue or need clarification, please contact our Customer Service for assistance. Please refer to the last pages on this manual.</p>	<p>⑩ If the hole seems too small for the screw, first make sure you are using the correct size of screw and that it's been installed in the correct hole. If the hole still appears to be too small, carefully pierce the laminate to reveal the hole's actual size.</p>	<p>⑤ On each step read the instructions and analyze the illustrations thoroughly before proceeding to do the assembly.</p>
<p>⑥ Make sure you understand which hardware will be used on each step. Using the wrong size of screw, bolt or pin might strip the threads or cause damage to the part in which it is being used.</p>		

ASSEMBLY STEPS

STEP 1

Insert the wooden dowels **A** into the **innermost** holes on panels **1, 3, 4, 5, 6, 7, 8, 9, 10** and **11**, and into the **outermost** holes on panel **2** as shown.

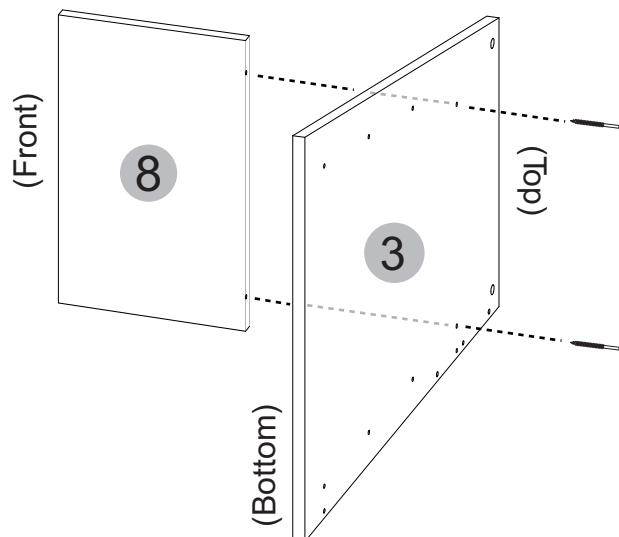
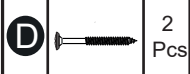
Hardware/Tools:



STEP 2

Assemble panel **8** to panel **3** with screws **D** at the **indicated position**.

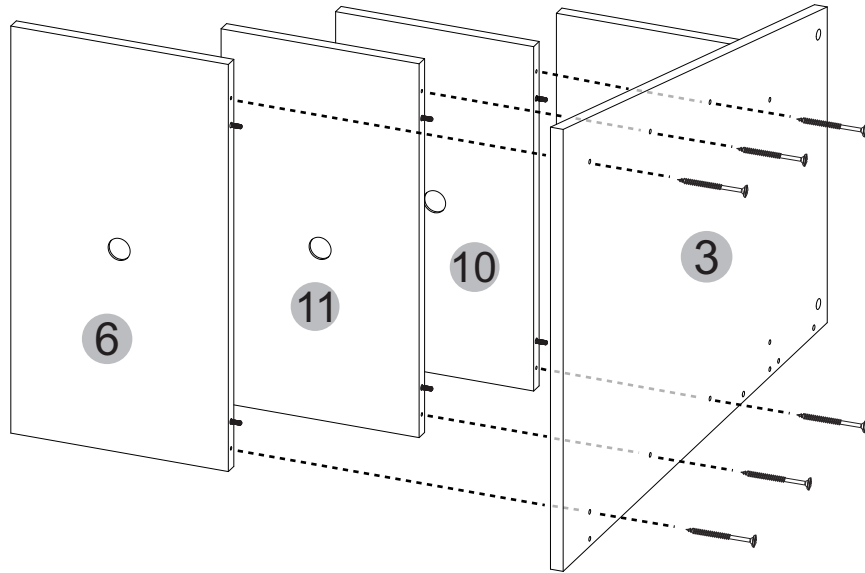
Hardware/Tools:



**STEP 3**

Assemble panels **6**, **10** and **11** to panel **3** with screws **D**, each in their indicated position.

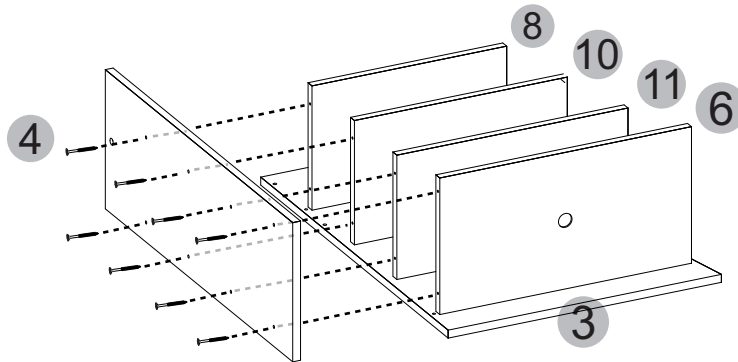
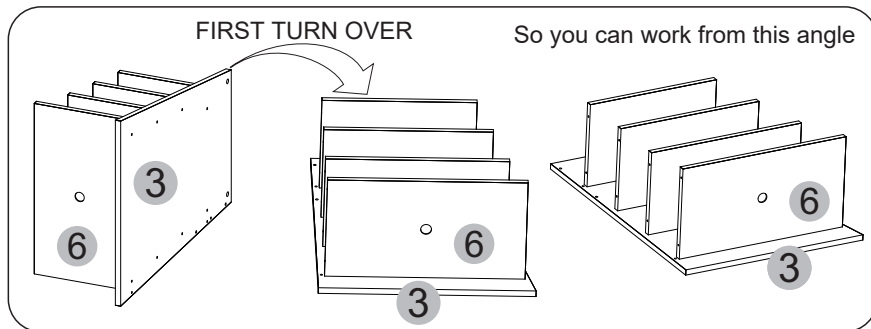
Hardware/Tools:



**STEP 3**

Turn the pieces over and assemble panel **4** to panels **6**, **8**, **10** and **11** with screws **D**.

Hardware/Tools:

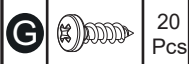




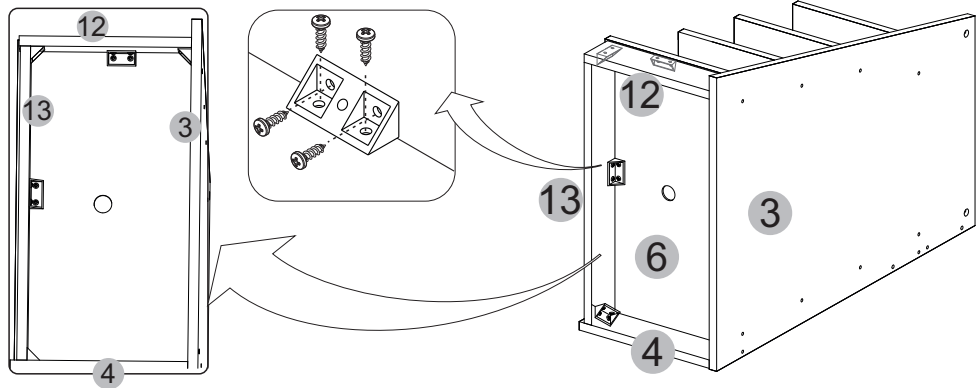
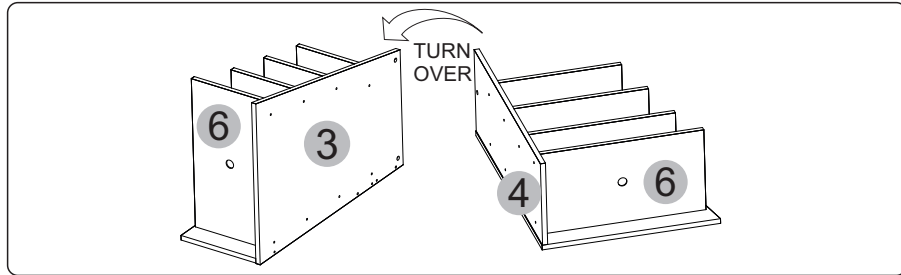
**STEP 5**

Turn over the pieces and attach panels **12** and **13** to the bottom of the structure and fasten them with corner brackets **H** and screws **G** as shown.

Hardware/Tools:



(NOT INCLUDED)



**STEP 6**

Secure panel **3** to panel **4** with screw **E** for the **top** and screw **D** for the **bottom** as shown, then attach the glide studs **K** to the bottom of the structure as shown.

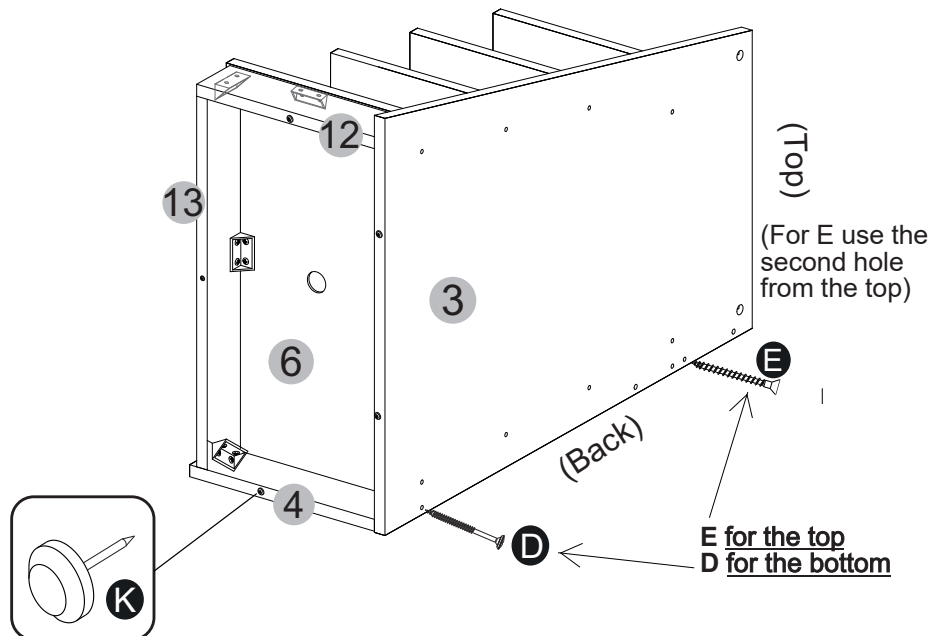
Hardware/Tools:



(NOT INCLUDED)



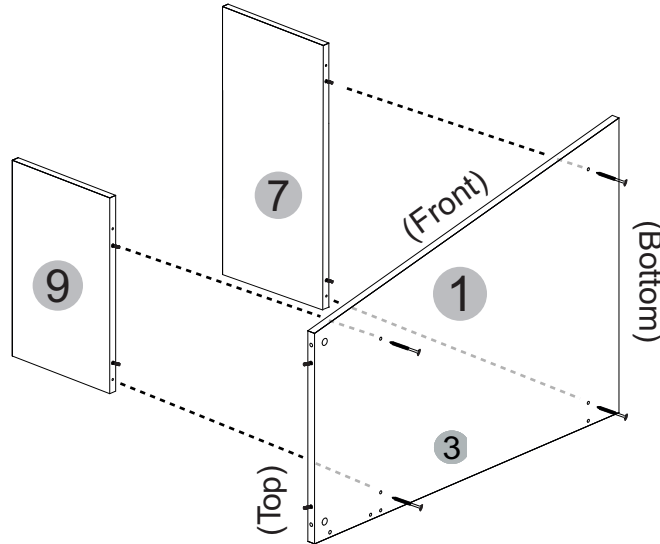
(NOT INCLUDED)



**STEP 7**

Assemble panels 7 and 9 to panel 1 with screws **D** in their indicated position.

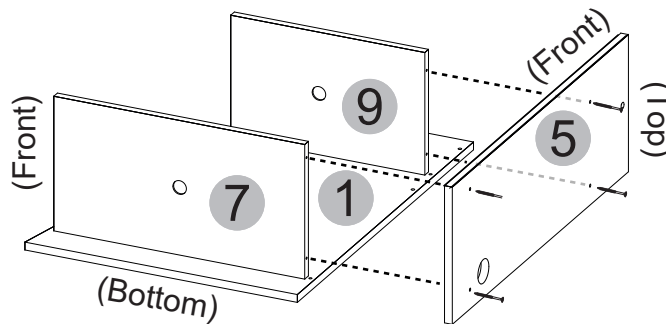
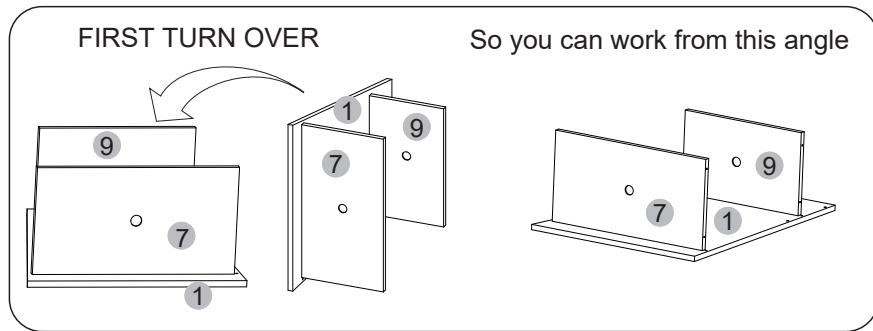
Hardware/Tools:



**STEP 8**

Turn over the pieces and assemble panel 5 to panels 7 and 9 with screws **D**.

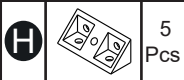
Hardware/Tools:



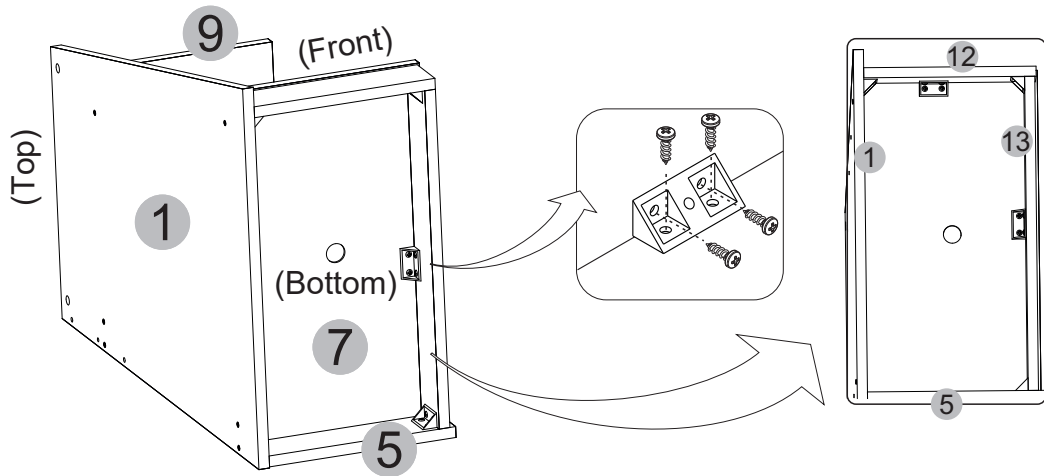
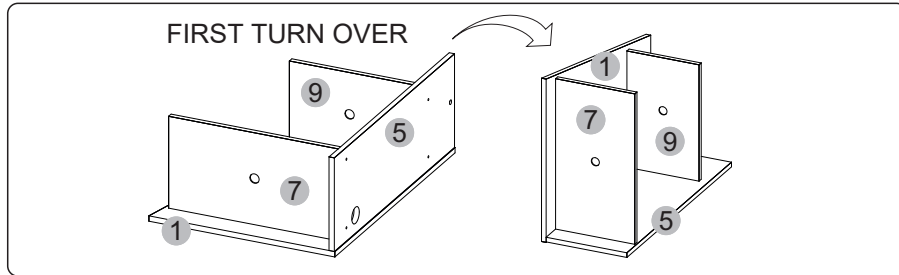
**STEP 9**

Turn over the pieces and attach panels **12** and **13** to the bottom of the structure and fasten them with corner brackets **H** and screws **G** as shown.

Hardware/Tools:



(NOT INCLUDED)



**STEP 10**

Secure panel **1** to panel **5** with screw **E** for the top and screw **D** for the bottom, then attach the glide studs **K** to the bottom of the structure as shown.

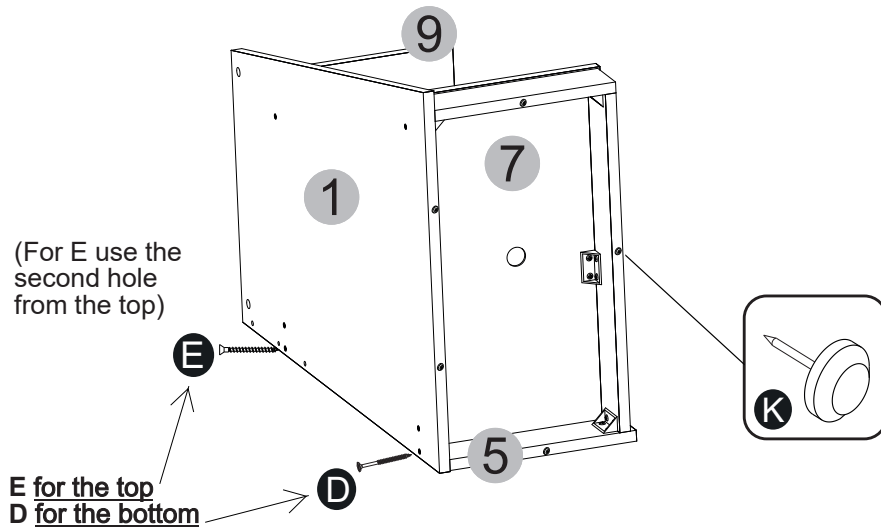
Hardware/Tools:



(NOT INCLUDED)



(NOT INCLUDED)

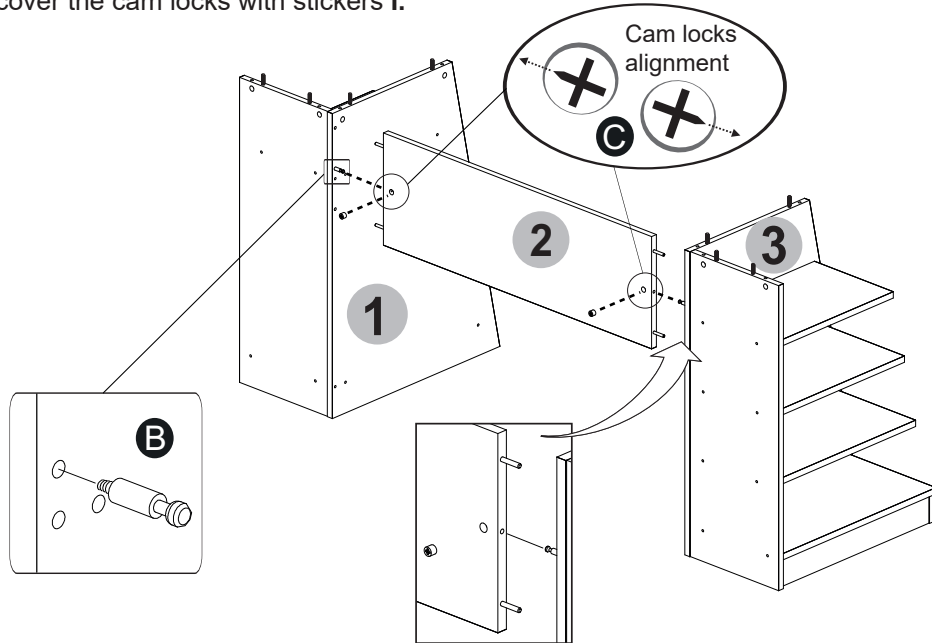


**STEP 11**

**Hardware/Tools:**



With the help of another person, place the structures assembled in steps 6 and 10 in the upright position, and working from behind, screw the bolts **B** into panels **1** and **3** in the indicated holes, and attach panel **2** in between. Insert the cam locks **C** and turn them to lock the panel as shown and as explained in page 4. Finally, cover the cam locks with stickers **I**.

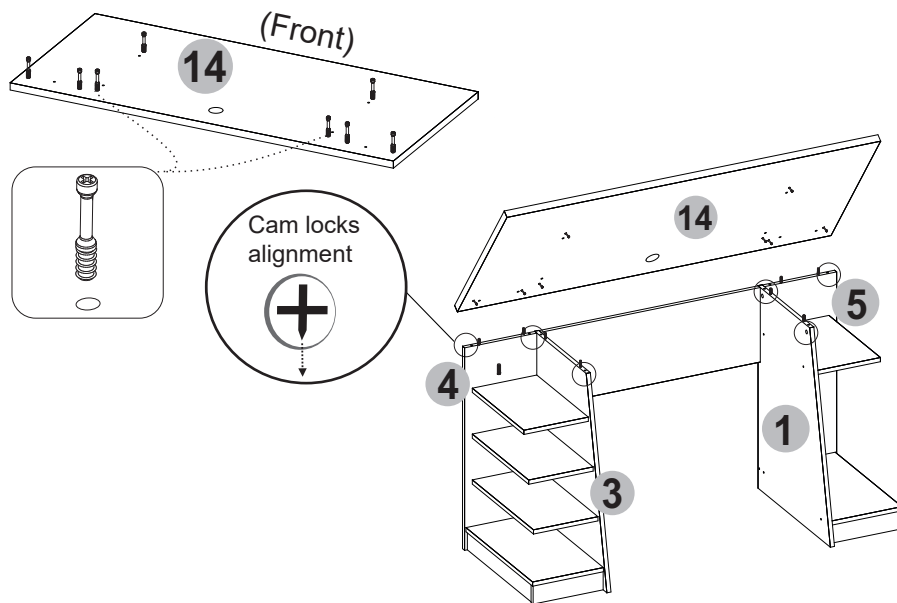


**STEP 12**




**Hardware/Tools:**



Place the main panel 14 upside-down over a blanket to protect its finish, then screw the bolts **B** into the indicated holes. Then insert and align the cam locks **C** into the corresponding holes on panels **1**, **3**, **4** and **5**. Then carefully and with the help of another person, assemble the main panel to the structure as explained in page 4. Finally, cover the cam locks with stickers **I**.

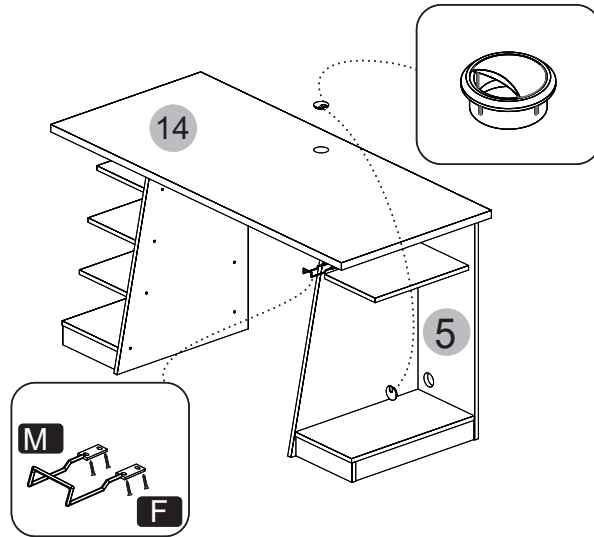


**STEP 13****Hardware/Tools:**

<b>F</b>		4 Pcs
<b>L</b>		2 Pcs
<b>M</b>		1 Pcs

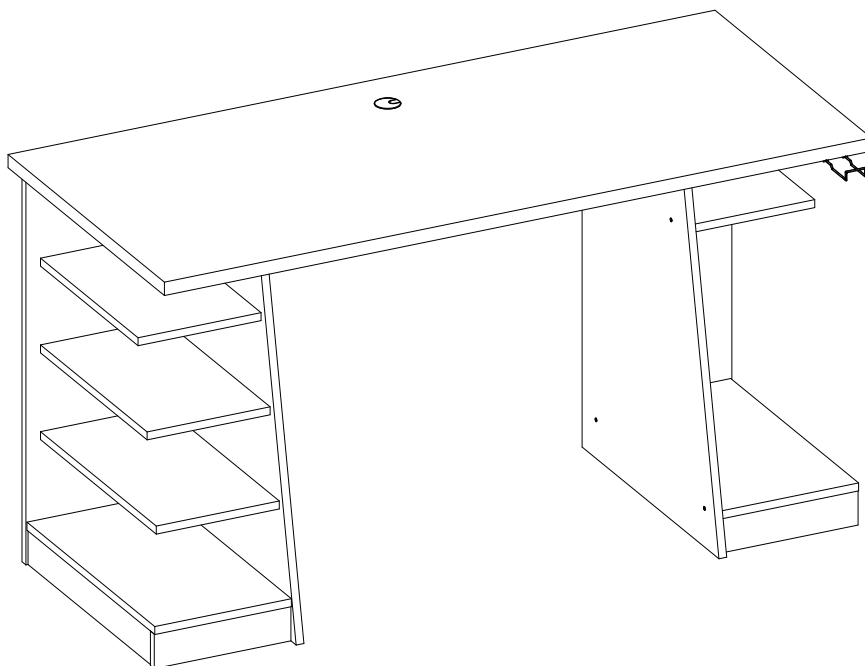
  
(NOT INCLUDED)

Assemble the headphone holder **M** to the underside of the main panel **14** with screws **F**, then place the grommets **L** into the panels **5** and **14** as shown.

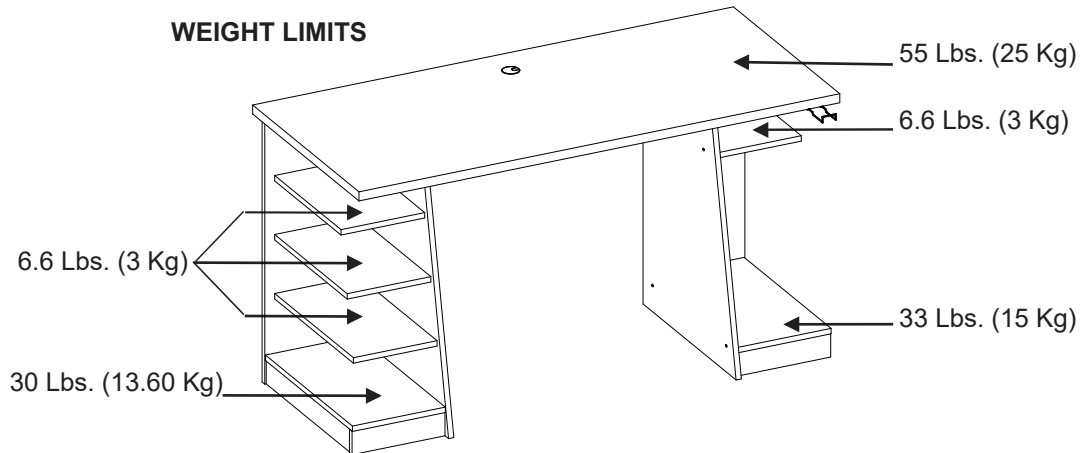


# ALL DONE!

Give yourself a nice pat on the back. You did a great job!



**AFTER THE ASSEMBLY IS DONE, PLEASE READ CAREFULLY  
THE FOLLOWING CARE AND MAINTENANCE WARNINGS:**



- Do not exceed the indicated weight limits.
- Do not expose the surfaces to direct sunlight or to extreme environmental conditions.
- Clean the surfaces preferable with a clean cloth damped in a solution of mild soap and water, then dry with a clean towel.
- Do not use solvents or abrasive materials to clean the unit.
- If you decide to use a cleaning agent, test first on an area hidden from view such as underneath the tabletop.
- Do not seat on the unit or lean against it.
- Do not allow small children to play under or over the unit.
- Do not push or drag the unit to move it more than 1 feet. The unit must be lifted by at least 2 persons when moving to a different place within the same or different rooms.
- Before moving the unit, make sure to secure or remove any object that is heavy or might fall off. Please note that lifting from the tabletop with too much weight on the product might lead to part damage/separation.
- When lifting the unit, use both hands and bend your knees, not your backs.
- When transporting the unit to places far away, protect and secure the unit to avoid damage in transit.
- Shall any part of the unit become defective during the warranty period, replacement parts might be available to you at no charge. Please refer to the next page for all the details.

P.14	RTA-TS91D	P.14
------	-----------	------

**TECHNI MOBILI WARRANTY**  
**DESKS/LAPTOP CARTS/FILE CABINETS: LIMITED 5-YEAR WARRANTY**  
**TV Stand/Entertainment Center: 2 YEAR WARRANTY**

RTA Products, LLC warrants to the Original Purchaser who acquired a new product from RTA Products or its authorized resellers that this product will be free from defects in its workmanship and materials, under normal use and service conditions, as described herein. "Defects" as used in this warranty, is defined as any imperfections that impair the use of the furniture or product. RTA Products LLC will replace any defective part, at its discretion, and without charge to the original purchaser other than the freight from the end consumer to RTA Products.

Replacement parts can only be supplied if parts are available. Items out of production may be unavailable. This warranty will be effective for the applicable time period beginning the date of purchase on your original sales receipt. RTA product's obligation under this warranty is limited to repairing or replacing products or parts as provided herein. This product has been designed for and is intended for office and home-office use only. This warranty is Original Purchaser's sole remedy for product defects, and this warranty does not extend to any product, or damage to any product, caused by or attributed to abuse or misuse, products used for commercial or rental purposes, use modifications of, or attachments to the product, and products or parts not used, maintained, or extended hereunder is in lieu of any and all other warranties, express or implied, including without limitations any implied warranty or merchantability or of fitness for a particular purpose. Please note, all desks made with PVC Laminate surface should not be exposed to direct sunlight, as it may damage the material. Damage of this nature is not covered under this warranty.

RTA Products will not be responsible for indirect, special, incidental or consequential damages. This warranty is limited to merchandise purchased in the Continental United States. Some States do not allow the exclusion or limitation of incidental or consequential damages, so the above limitations or exclusions may not apply to you. This warranty gives you specific legal rights. You may also have other rights that may vary from state to state.

RTA Products will advise you of the procedure to follow in making warranty claims. The following are the procedures for warranty claims:

- a. Call us Monday – Friday, from 9am-5pm (Eastern Time) at (866) 782-5520 to explain the defect and give your name, address and phone number. Please have ready the model number of our product, date and place of purchase. You can also write to us by e-mail to [warranty@rtaproducts.com](mailto:warranty@rtaproducts.com) and include the same information.
- b. b. If we determine that replacement will remedy the situation, and in order to determine the extent or the cause of the defect, purchaser will need to send the part in question at purchaser's expense. Once we receive the part, we will examine it and determine whether the claim is valid (or not), and then proceed to send the replacement. We will ship the replacement at our expense.

## **SUPPORT OPTIONS:**

- **Assembly questions**
  - **Damage issues**
  - **Replacement parts**
- 

GO TO: [TECHNISPORTUSA.COM](http://TECHNISPORTUSA.COM)



**CLICK ON SUPPORT TAB**

---



Scan QR Code to order replacement parts

---

CONTACT US BY EMAIL:

**[SUPPORT@TECHNISPORTUSA.COM](mailto:SUPPORT@TECHNISPORTUSA.COM)**

