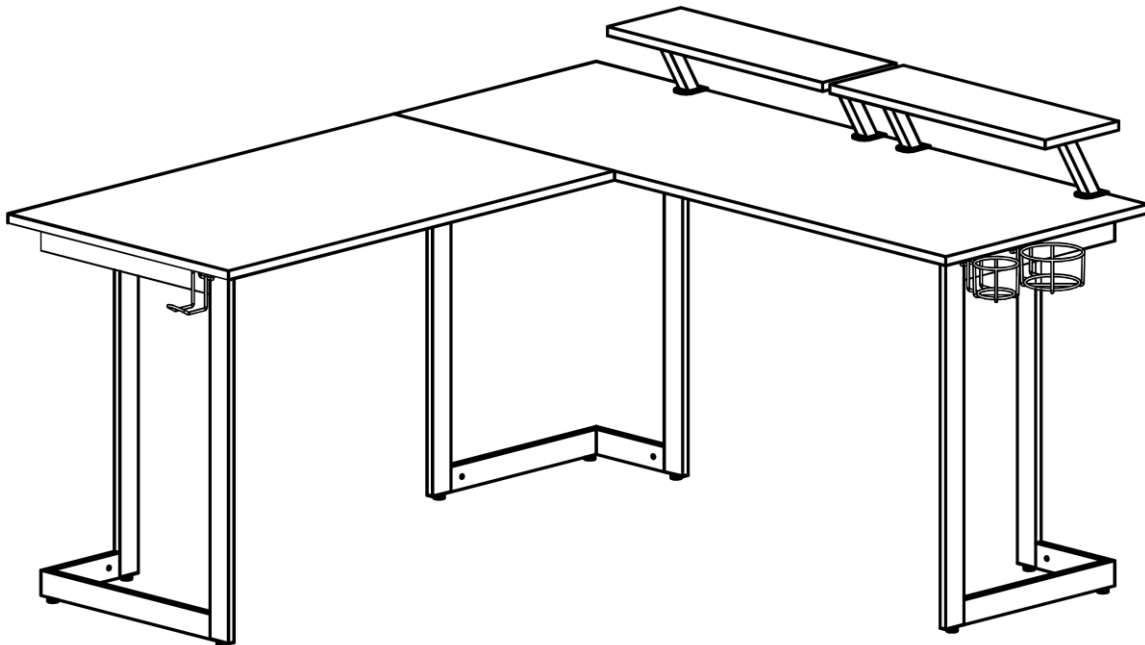




MODEL RTA-TS220L

ASSEMBLY INSTRUCTIONS

Thank you for purchasing one of our products.
Please read carefully the assembly instructions before the installation.
Do not discard this manual or any of the packaging material until the unit has been completely assembled.

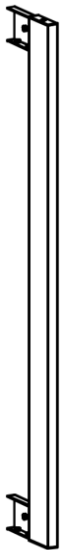

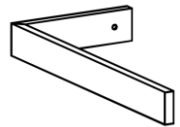

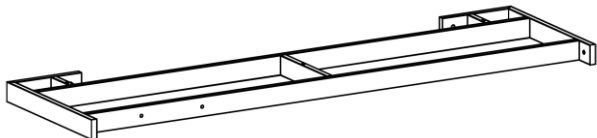

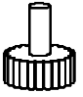
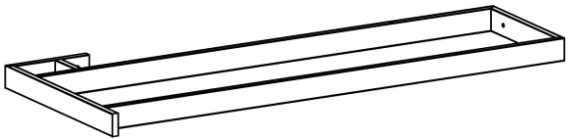
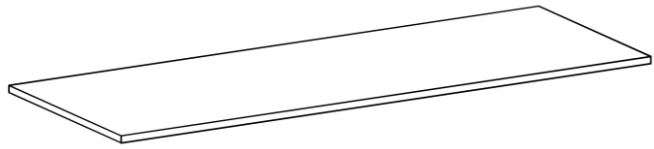
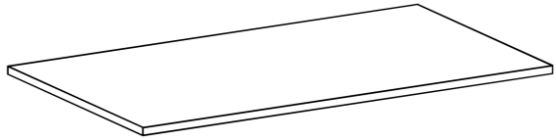

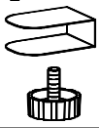
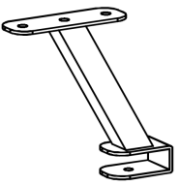
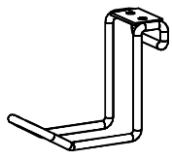
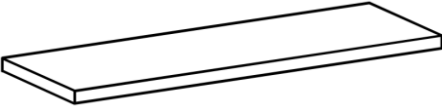
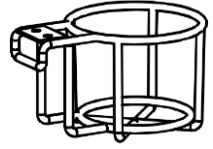
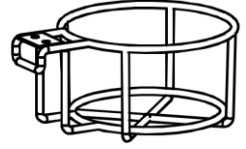


2 PERSONS
REQUIERED

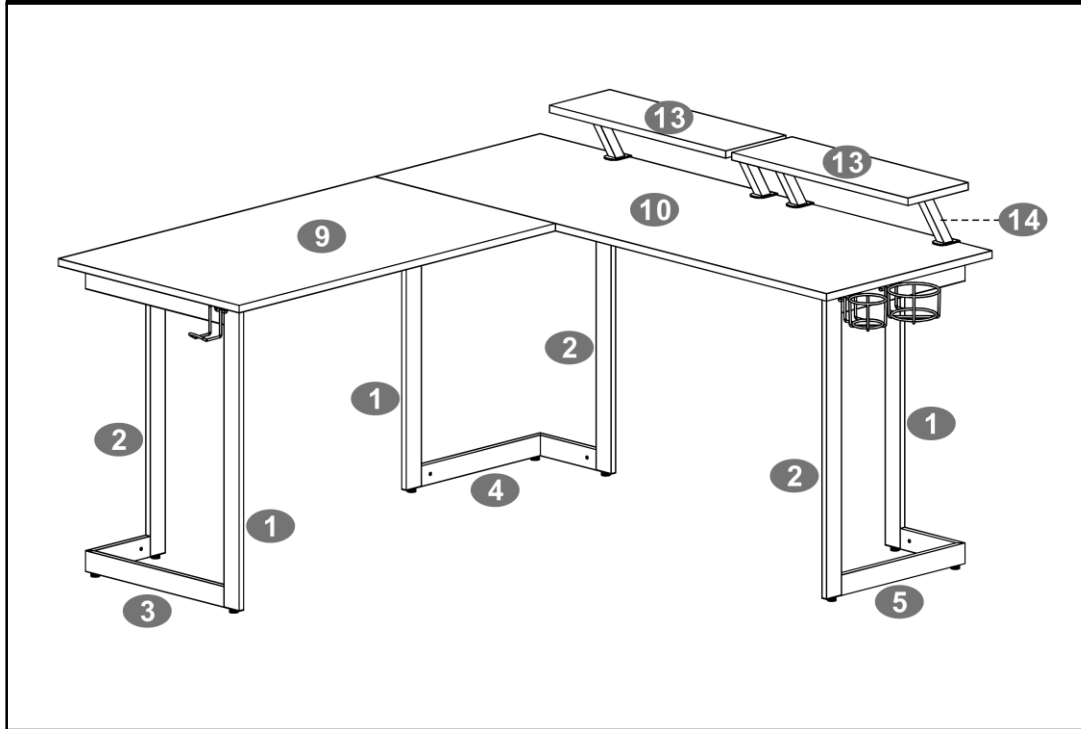
Distributed By







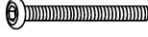
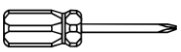
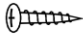
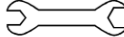

MAIN PARTS LIST

| | | | |
|---|--|---|--|
| <p>#1 x3</p> <p>Leg Structure</p>  | <p>#2 x3</p> <p>Leg Structure</p>  | <p>#3 x1</p> <p>Left Base Structure</p>  | <p>#4 x1</p> <p>Middle Base Structure</p>  |
| <p>#8 x1</p> <p>Long Frame Structure</p>  | <p>#5 x1</p> <p>Right Base Structure</p>  | <p>#6 x9</p> <p>Stud</p>  | <p>#7 x1</p> <p>Short Frame Structure</p>  |
| <p>#10 x1</p> <p>Long Tabletop</p>  | <p>#9 x1</p> <p>Short Tabletop</p>  | <p>#11 x2</p> <p>Bracket</p>  | <p>#12 x4</p> <p>Fixing SET</p>  |
| <p>#14 x4</p> <p>Stand Support</p>  | <p>#15 x1</p> <p>Earphone Hanger</p>  | <p>#13 x2</p> <p>Stand Panel</p>  | <p>#16 x1</p> <p>Small Cup Holder</p>  |
| <p>#17 x1</p> <p>Large Cup Holder</p>  | | | |

MAIN PARTS LAYOUT (FOR REFERENCE):



SCREWS LIST:

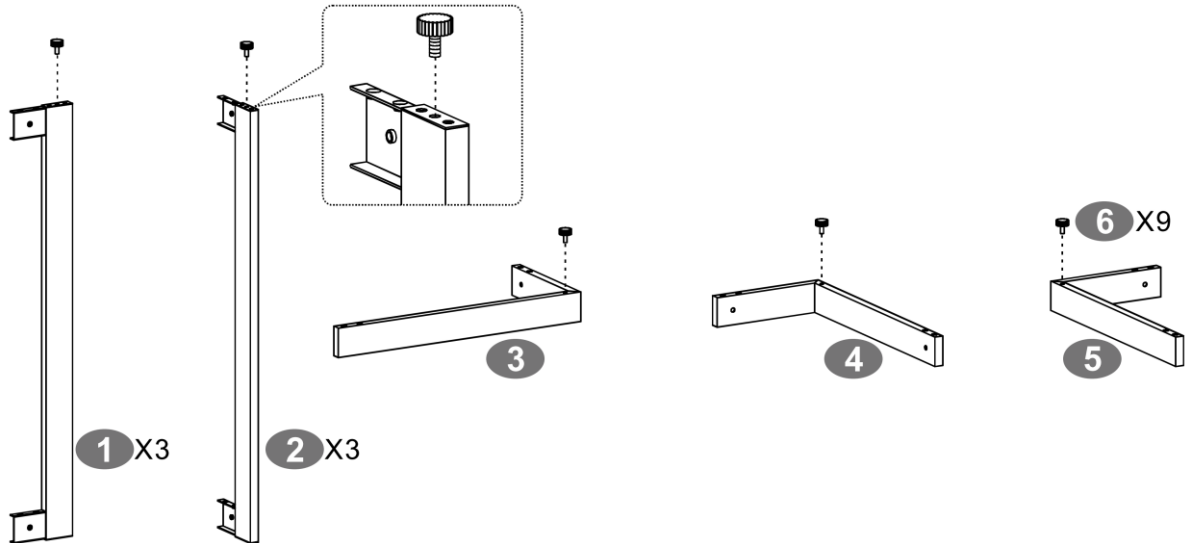
| PART | QTY. | ITEM | | PART | QTY. | ITEM | |
|----------|------|---------|---|----------|------|--------|---|
| A | 52 | 6X12 MM |  | F | 4 | Φ16 MM |  |
| B | 2 | 6X40 MM |  | G | 1 | M 4 |  |
| C | 9 | 6X60 MM |  | H | 1 | |  |
| D | 6 | 4X14MM |  | I | 1 | |  |
| E | 2 | M6 |  | | | | |

BEFORE YOU START THE ASSEMBLY, PLEASE READ THE FOLLOWING TIPS AND WARNINGS.

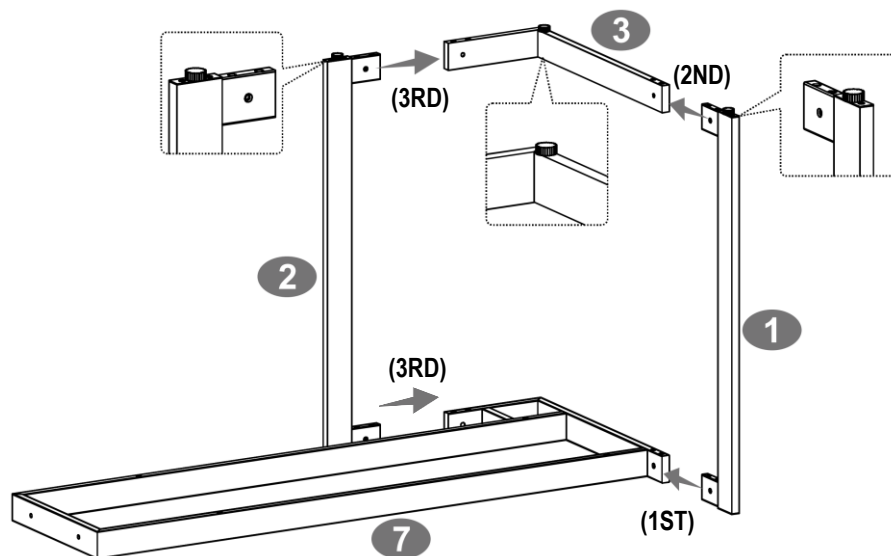
- ▣ Do a quick inventory to make sure the product contains all the parts and hardware.
- ▣ Missing, damaged and defective parts can be replaced at no cost to you. Please refer to the CONTACT card included with the product.
- ▣ The replacement parts service is limited to the continental United States. If you reside in Hawaii, Puerto Rico, U.S. Dependencies or other countries, please contact the supplier from where the unit was purchased.
- ▣ If during assembly you find an issue or need clarification, please contact our Customer Service for assistance. Please refer to the CONTACT card included with the product.
- ▣ On each step read the instructions and analyze the illustrations thoroughly before proceeding to do the assembly.
- ▣ To avoid misalignments, always leave the screws loose and tighten them until all pieces are positioned correctly.
- ▣ Do not overtighten or force the screws as they might break, strip, damage the threads of the holes or get stuck inside the part.
- ▣ Sometimes the laminate might cover partially or entirely the hole on a panel, but the hole should still be located under the laminate.
- ▣ If there is no visible hole for the screw, pass and press the tip of your finger over the area where the hole should be located to feel the indentation, and once found, carefully pierce the laminate to reveal the hole underneath.
- ▣ If the hole seems too small for the screw, first make sure you are using the correct size of screw and that it's been installed in the correct hole. If the hole still appears to be too small, carefully pierce the laminate to reveal the hole's actual size.
- ▣ Make sure you understand which hardware will be used on each step. Using the wrong size of screw, bolt or pin might strip the threads or cause damage to the part in which it is being used.

ASSEMBLY STEPS

- 1** Insert the studs (6) to the bottom of the leg structures (1) and (2), and to the corner of each base structure (3), (4) and (5) as shown.



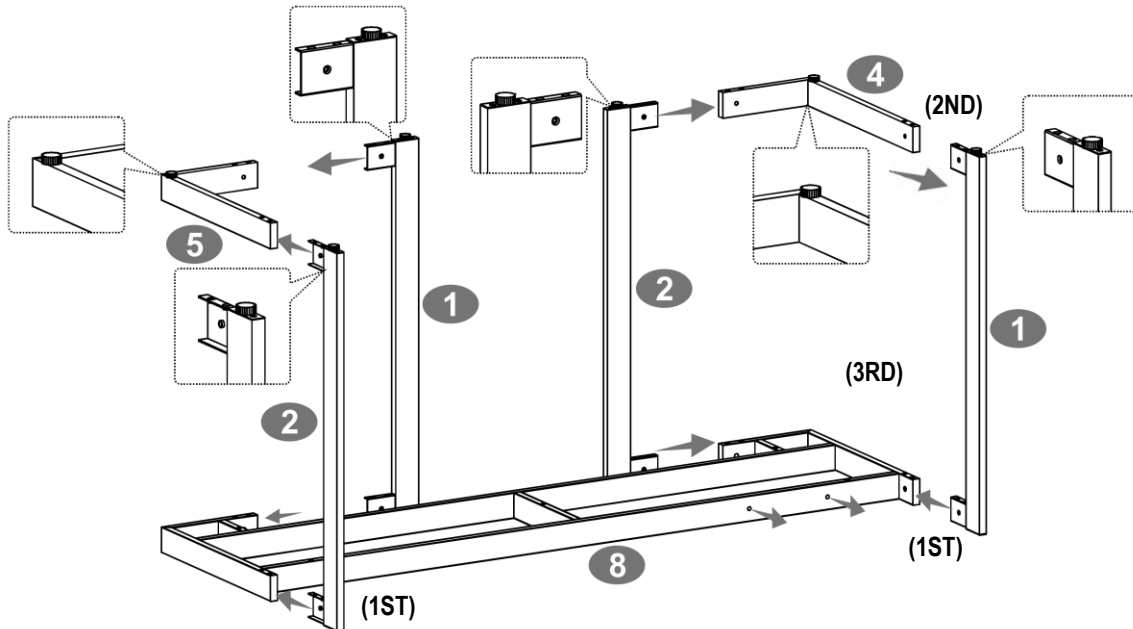
- 2** With the short frame structure (7) oriented as shown, attach the structures as indicated:
 1st: Leg (1) to frame (7).
 2nd: Base (3) to leg (1).
 3rd: Leg (2) to base (3) and frame (7) as shown.



(This view shows the back side of the frame upside-down on the floor)

3

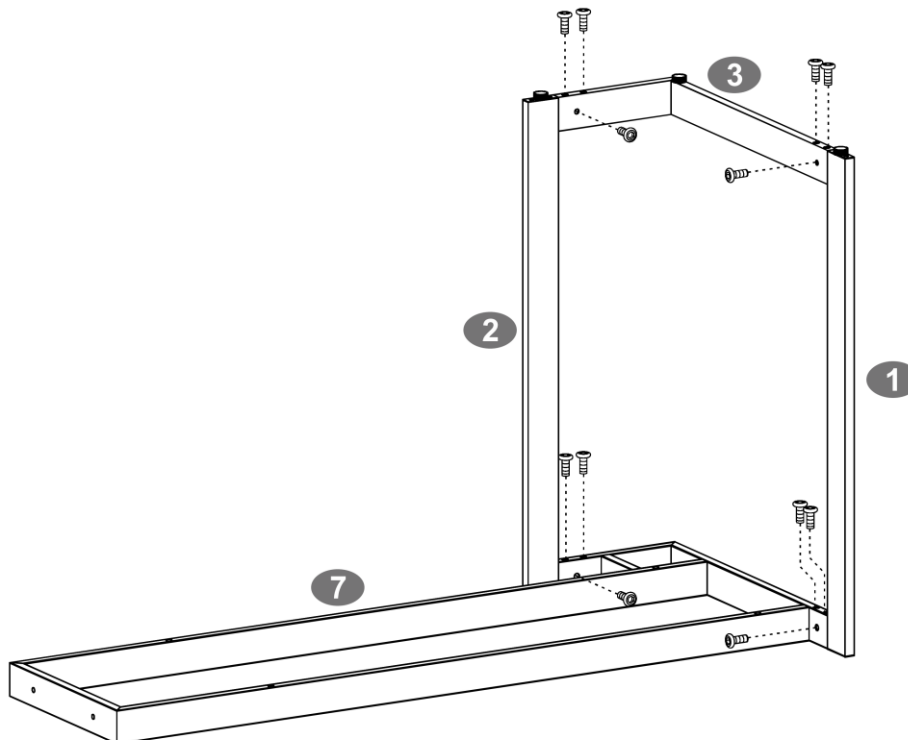
With the long frame structure (8) oriented as shown, attach the structures as indicated:
 1st: Leg (1) to frame (8) on the right, and leg (2) to frame (8) on the left;
 2nd: Base (4) to leg (1) on the right, and base (5) to leg (2) on the left.
 3rd: Leg (2) to base (4) and frame (8) on the right, and leg (1) to base (5) and frame (8) on the left.
PAY CLOSE ATTENTION TO THE ORIENTATION OF THE PARTS.



(This view shows the back side of the frame upside-down on the floor)




4

Using screws (A), secure the legs (1) and (2) to the base (3) and the frame (7) as shown.



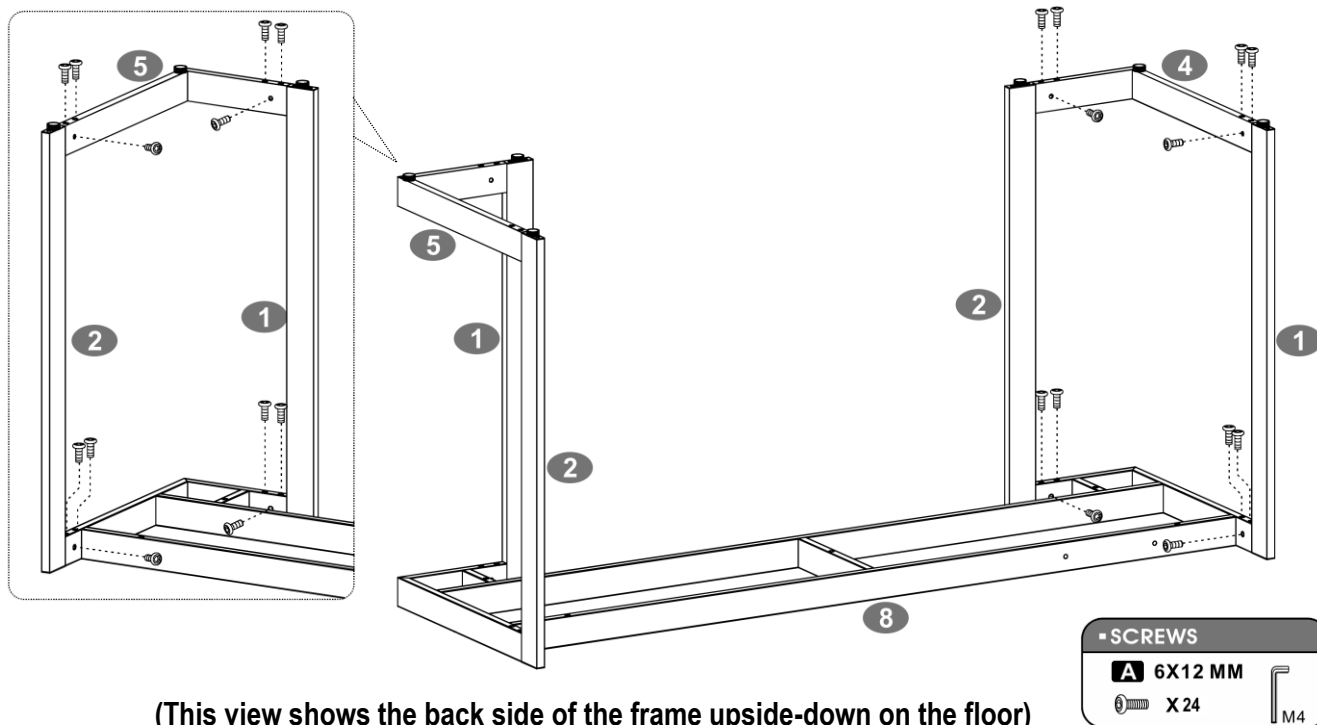
(This view shows the back side of the frame upside-down on the floor)

SCREWS

| | | |
|----------|---------|--|
| A | 6X12 MM |  |
| | X12 |  |
| | |  M4 |

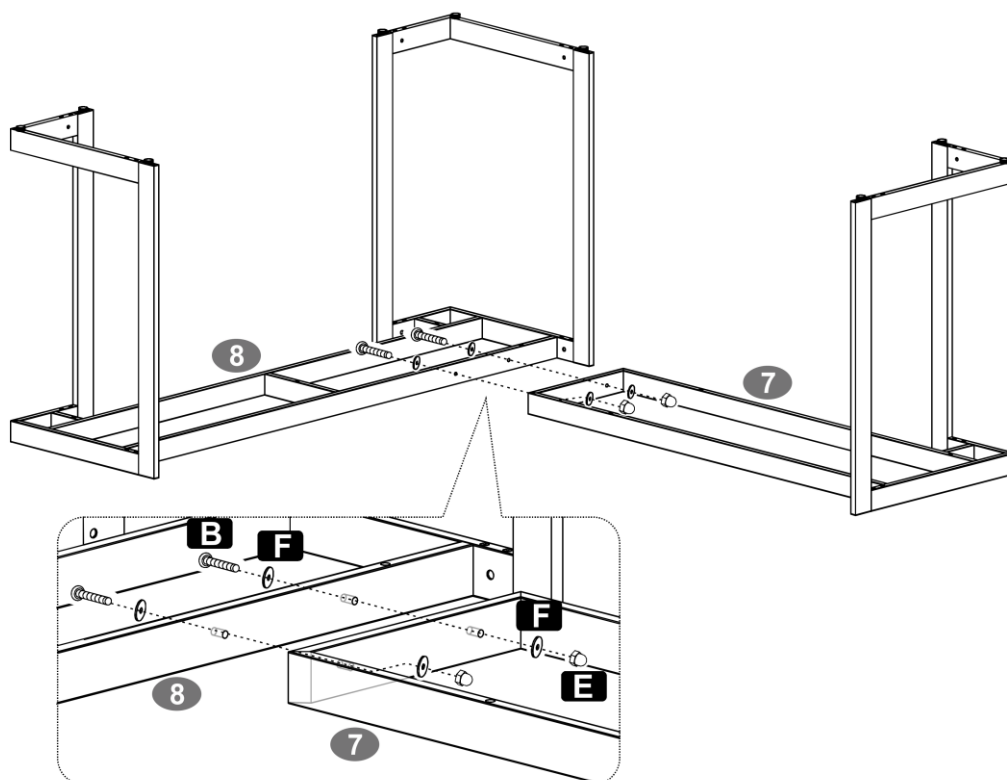
5

Using screws (A), secure the legs (1) and (2) to the bases (4) and (5), and to the frame (8) as shown.



6

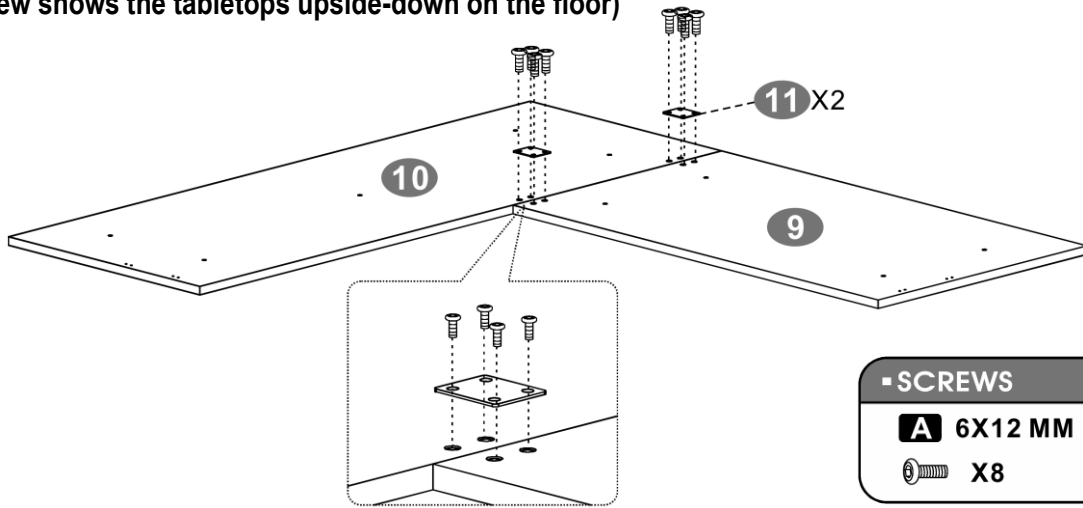
Using screws (B), washers (F) and nut caps (E), assemble the frame (7) to frame (8) as shown.



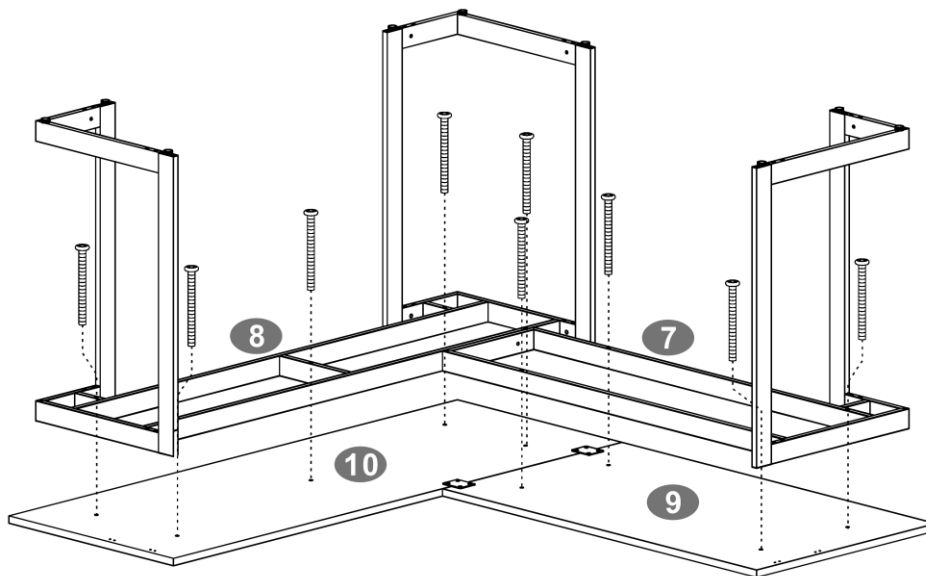
PAY CLOSE ATTENTION TO THE ORDER AND ORIENTATION OF THE HARDWARE.

7 With the tabletops (9) and (10) upside-down and oriented as shown, attach to them the brackets (11) using screws (A) as shown.

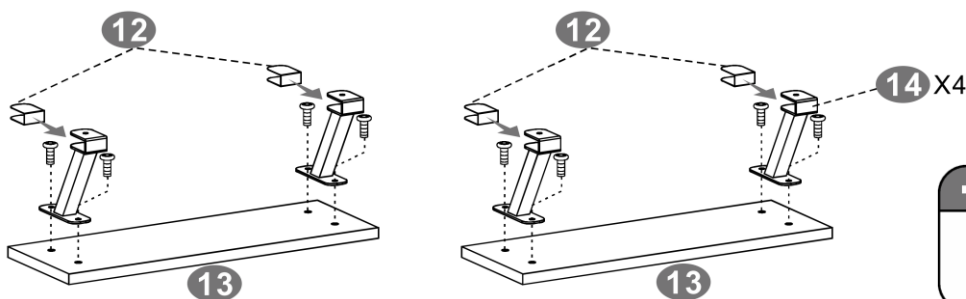
(This view shows the tabletops upside-down on the floor)



8 With the help of another person, place the frame from step 6 upside-down over the tabletops (9) and (10) making the holes coincide, then assemble the frame using screws (C) as shown.

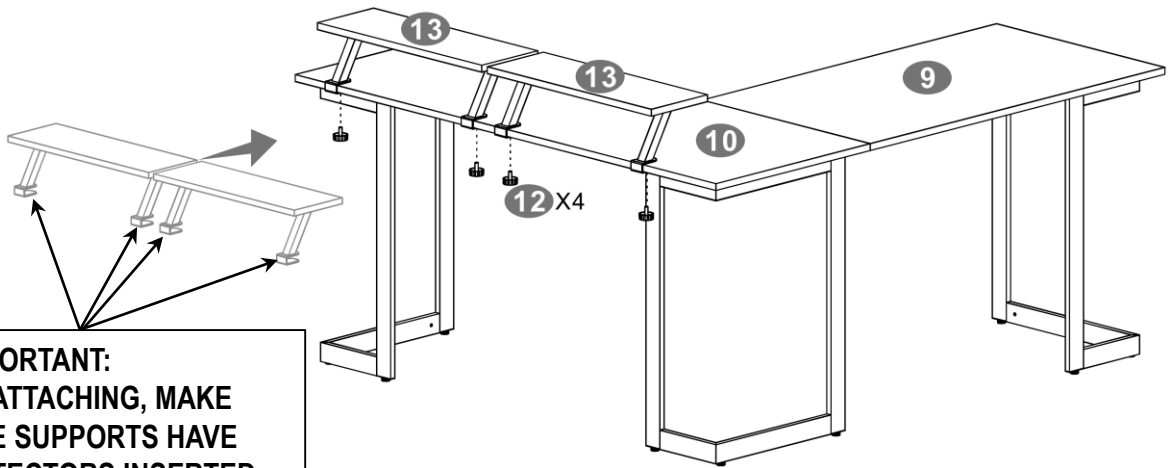


9 Assemble the stand support (14) to the stand panel (13) using screws (A), then insert the protectors from the fixing set (12) in the supports as shown.



10

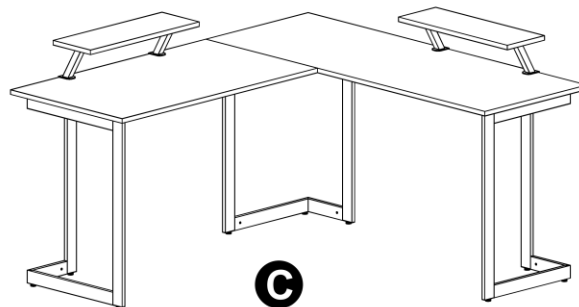
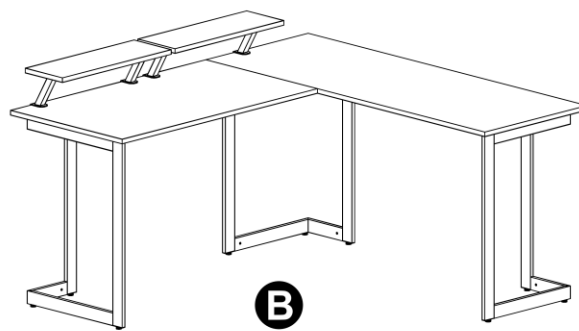
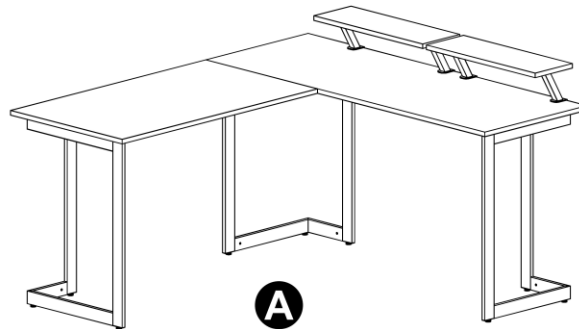
Carefully and with the help of another person, turn the unit upright, then select the option of your preference: **A**, **B** or **C**, and attach the stand panels to the tabletops by inserting and tightening the screw knobs (12) into the supports from underneath as shown.



(This view shows the unit upright and from its back)

VERY IMPORTANT:
BEFORE ATTACHING, MAKE SURE THE SUPPORTS HAVE THE PROTECTORS INSERTED AS INDICATED IN STEP 9.

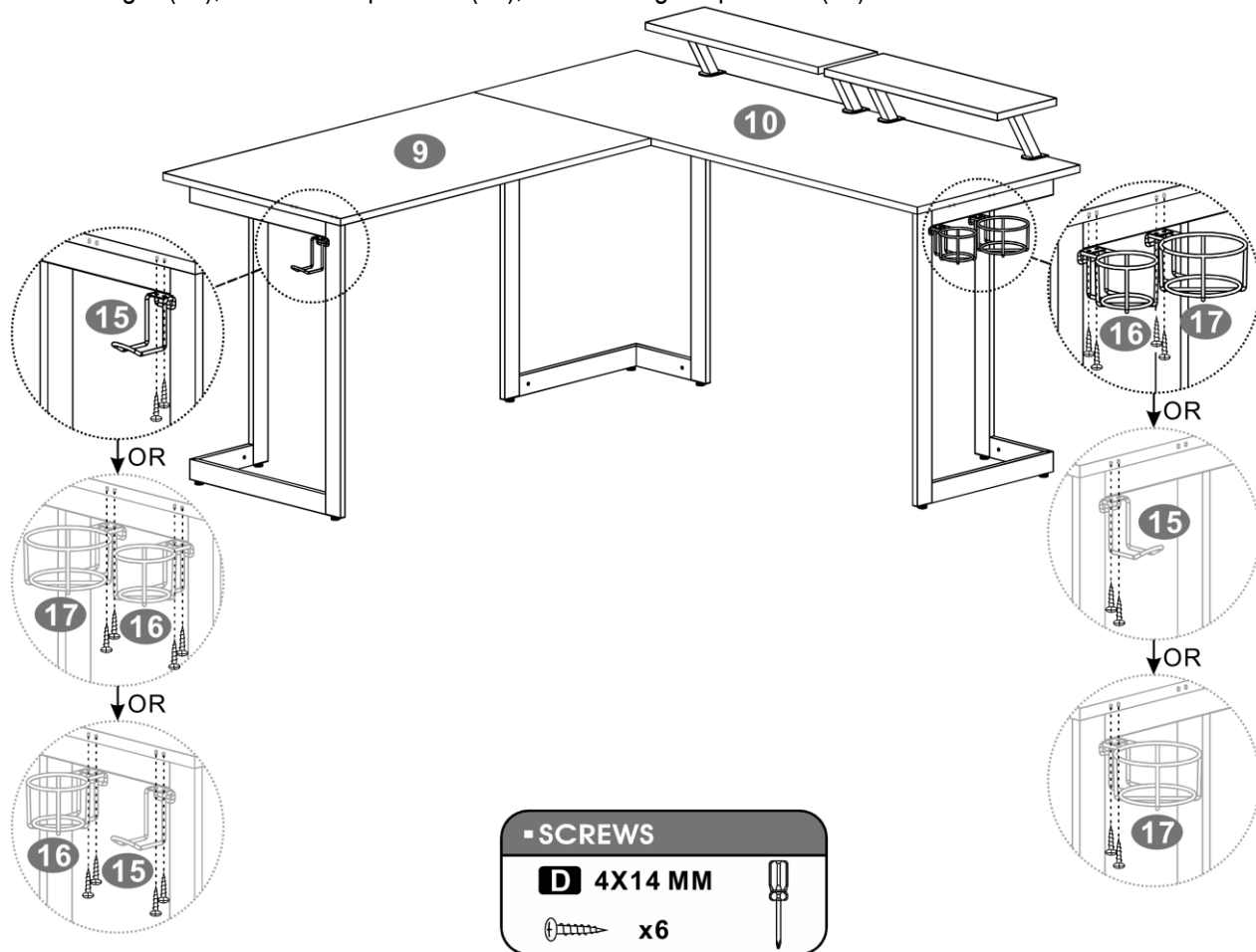
OPTIONS:



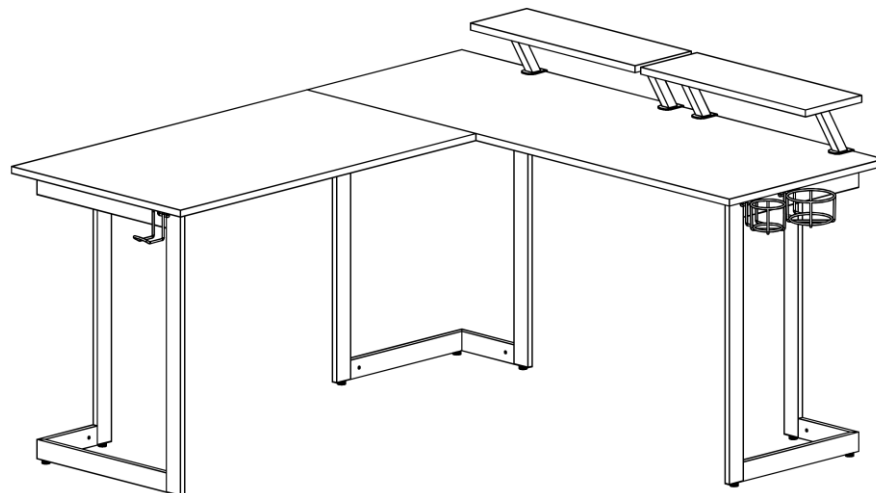
11

▣ You have different options for the assembly of the accessory items on either side of the unit; install them according to your needs.

Using screws (D), assemble on either side and from underneath the tabletops (9) and (10), the earphones hanger (15), the small cup holder (16), and the large cup holder (17).

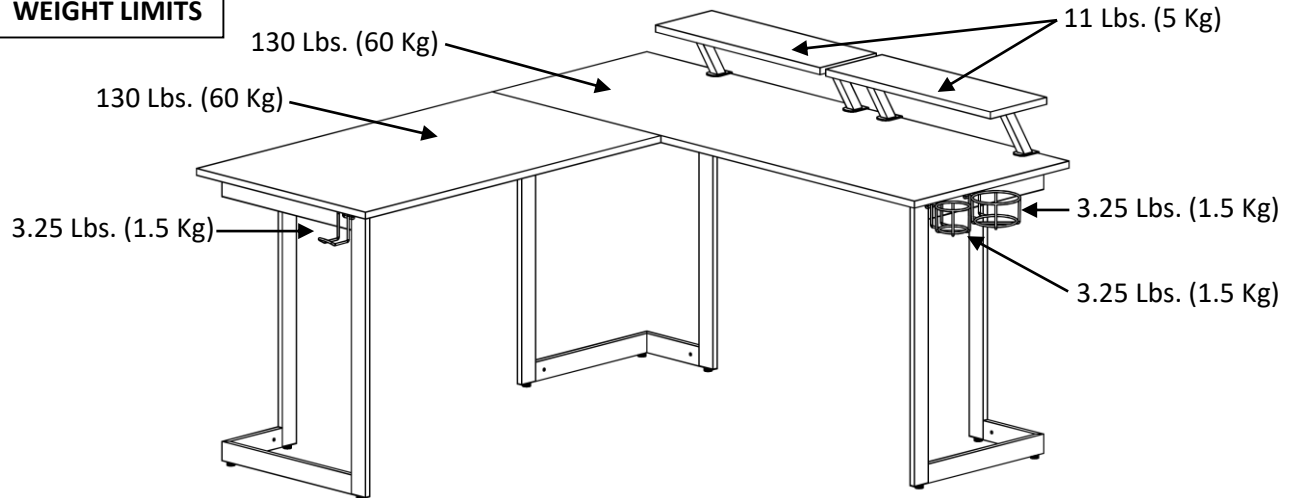


DONE! Before you start using, please read all the warnings in the next page.



AFTER THE ASSEMBLY IS DONE, PLEASE READ CAREFULLY THE FOLLOWING CARE AND MAINTENANCE WARNINGS:

WEIGHT LIMITS



- Do not exceed the indicated weight limits.
- Do not expose the surfaces to direct sunlight or to extreme environmental conditions.
- Clean the surfaces preferable with a clean cloth damped in a solution of mild soap and water, then dry with a clean towel.
- Do not use solvents or abrasive materials to clean the unit.
- If you decide to use a cleaning agent, test first on an area hidden from view such as underneath the tabletops.
- Do not seat on the unit or lean against it.
- Do not allow small children to play on or below the unit, or with the stand shelves or the accessories.
- The unit must be handled by at least 2 persons when moving in the same or adjacent rooms, preferable 3 persons: 2 holding the ends and 1 holding the corner.
- Before moving the unit, make sure to remove any object that is heavy or might fall off, and try to handle it from their structures. Lifting from the tabletops alone might put too much stress on the screws which can lead to part damage/separation.
- When lifting the unit, use both hands and bend your knees, not your backs.
- When transporting the unit to places far away, protect and secure the unit to avoid damage in transit.
- Shall any part of the unit become defective during the warranty period, replacement parts might be available to you at no charge. Please refer to the WARRANTY card included with the product.
- The warranty does not extend to regular wear and tear, nor the manufacturer assumes liability for damages or consequences due to accidents, incorrect assembly, negligence, improper use, modifications, or not heeding the above warnings.