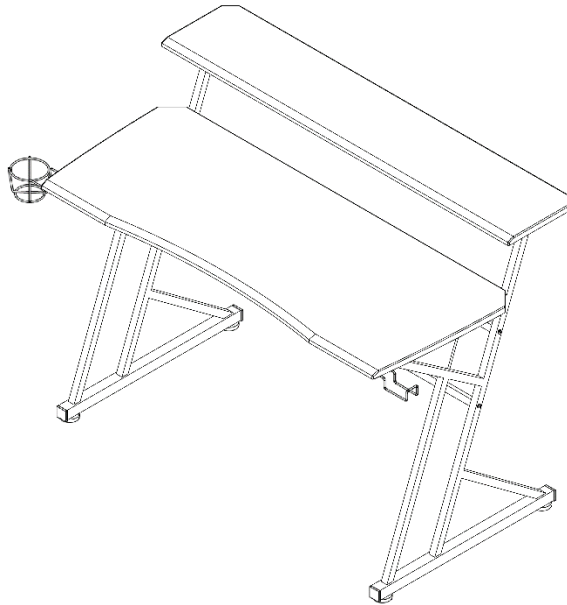




MODEL RTA-TS205

ASSEMBLY INSTRUCTIONS

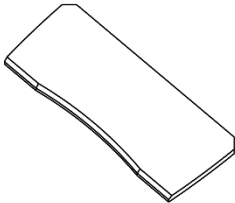
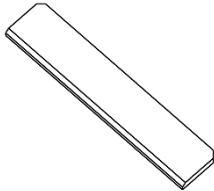
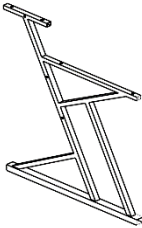
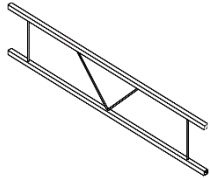
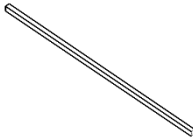
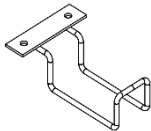
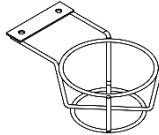
Thank you for purchasing one of our products.
Please read carefully the assembly instructions before the installation.
Do not discard this manual or any of the packaging material until the unit
has been completely assembled.





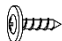
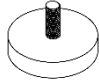

Imported By



MAIN PARTS LIST

<p>1 x1 Main panel</p> 	<p>2 x1 Upper shelf panel</p> 	<p>3 x2 Main structures</p> 	<p>4 x1 Lower back structure</p> 
<p>5 x2 Horizontal tubes</p> 	<p>6 x1 Headset hanger</p> 	<p>7 x1 Cup holder</p> 	

HARDWARE

<p>A x8 M6x42mm</p> 	<p>B x8 M6x32mm</p> 	<p>C x4 4x15mm</p> 	<p>D x4 Studs</p> 	<p>E x1 Allen wrench</p> 
--	--	---	--	---

BEFORE YOU START THE ASSEMBLY, PLEASE READ THE FOLLOWING TIPS AND WARNINGS.

1 Do a quick inventory to make sure the package contains all the parts and hardware listed in the assembly instructions.



2 Missing, damaged and defective parts can be replaced at no cost to you. Please refer to the CONTACT card included with the product.



3 The replacement parts service is limited to the continental United States. If you reside in Hawaii, Puerto Rico, U.S. Dependencies or other countries, please contact the supplier from where the unit was purchased.



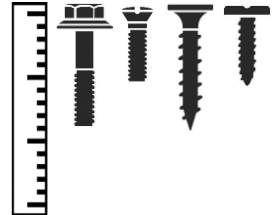
4 If during assembly you find an issue or need clarification, please contact our Customer Service for assistance. Please refer to the CONTACT card included with the product.



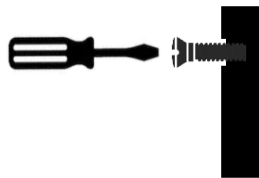
5 On each step read the instructions and analyze the illustrations thoroughly before proceeding to do the assembly.



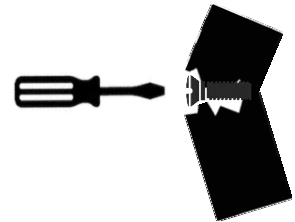
6 Make sure you understand which hardware will be used on each step. Using the wrong size of screw, bolt or pin might strip the threads or cause damage to the part in which it is being used.



7 To avoid misalignments, always leave the screws loose and tighten them until all pieces are positioned correctly.



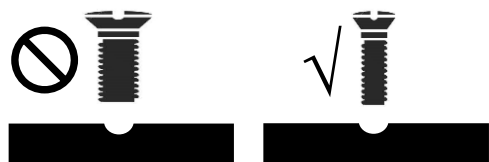
8 Do not overtighten or force the screws as they might break, strip, damage the threads of the holes or get stuck inside the part.



9 Sometimes the laminate might cover partially or entirely the hole on a panel. If there is no visible hole for the screw, pass and press the tip of your finger over the area where the hole should be located to feel the indentation, and once found, carefully pierce the laminate to reveal the hole underneath.



10 If the hole seems too small for the screw, first make sure you are using the correct size of screw and that it's been installed in the correct hole. If the hole still appears to be too small, carefully pierce the laminate to reveal the hole's actual size.

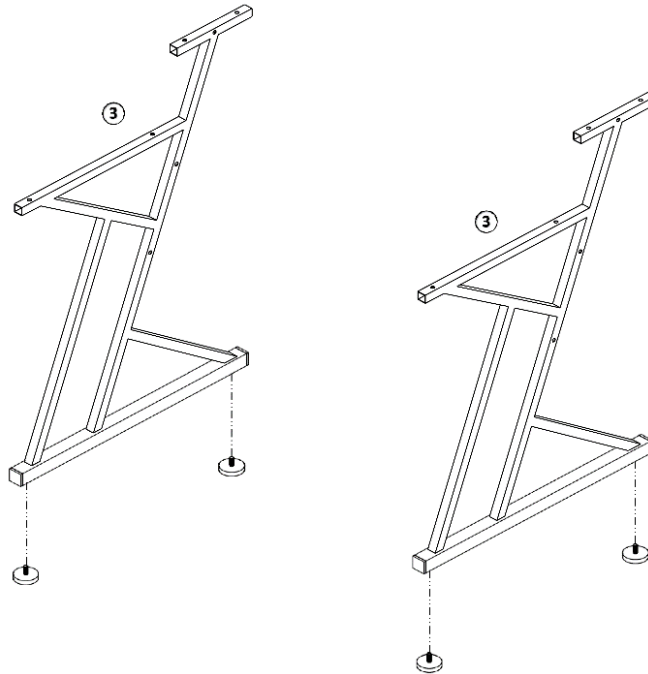


ASSEMBLY STEPS

STEP 1

Insert the studs **D** into the bottom holes of the structures **3**.

Hardware/Tools:

D4
Pcs

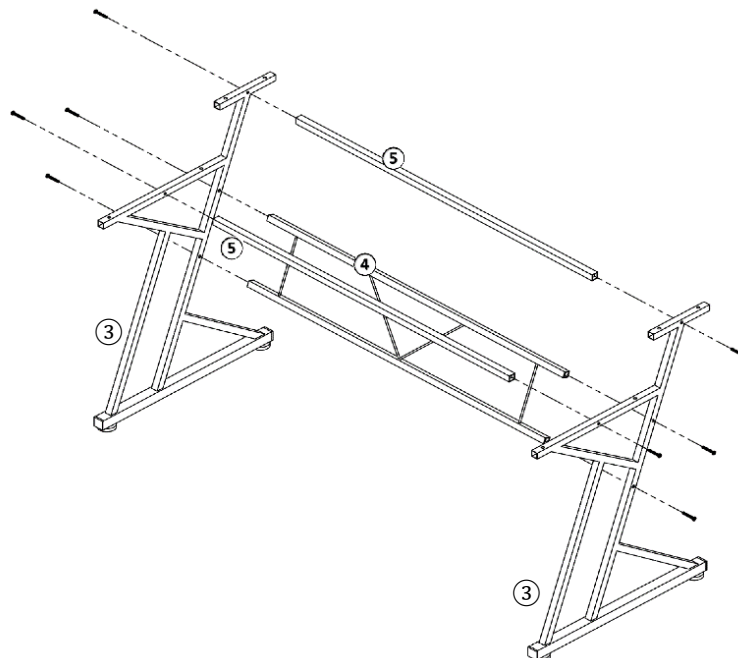
STEP 2

Assemble the lower back structure **4** and the horizontal tubes **5** to the main structures **3** using screws **A** as shown.

Hardware/Tools:

A

M6x42mm

8
Pcs**E**

STEP 3

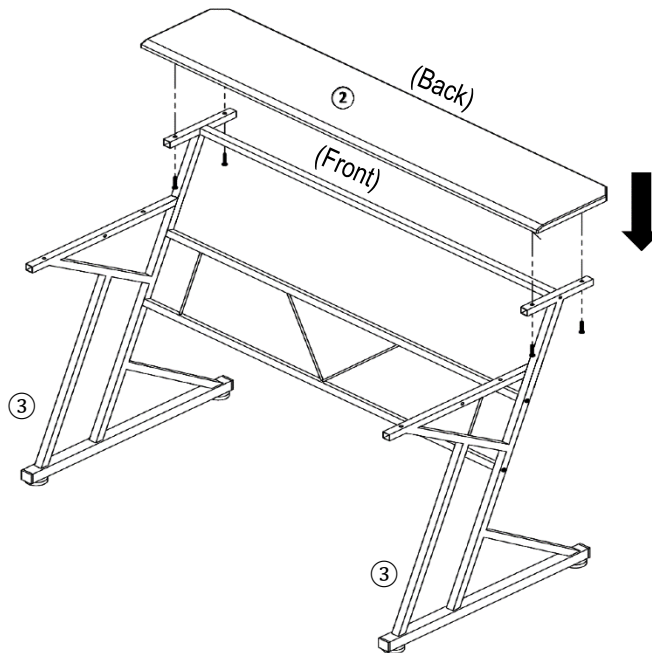
Assemble the upper shelf panel (2) to the main structures (3) using screws (B) from underneath.

Hardware/Tools:

B

4
Pcs

E



STEP 4

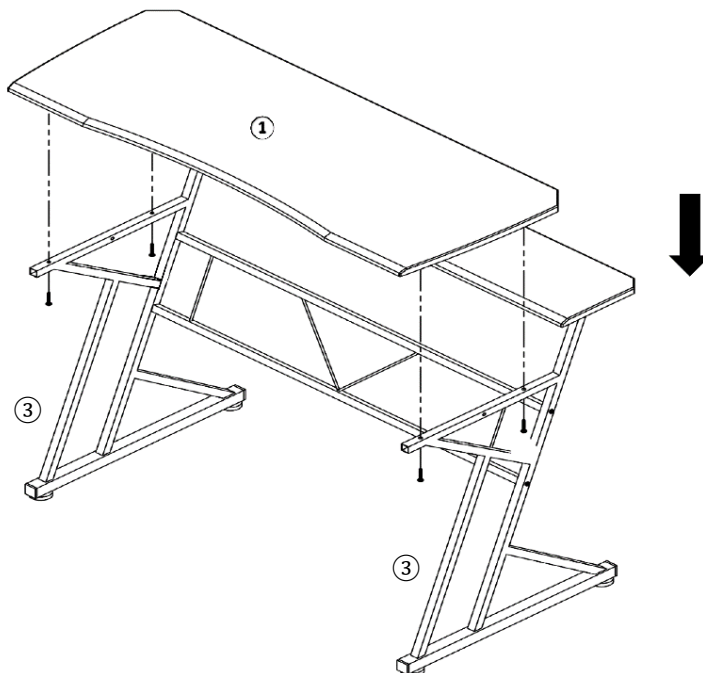
Assemble the main panel (1) to the main structures (3) using screws (B) from underneath.

Hardware/Tools:

B

4
Pcs

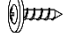

E

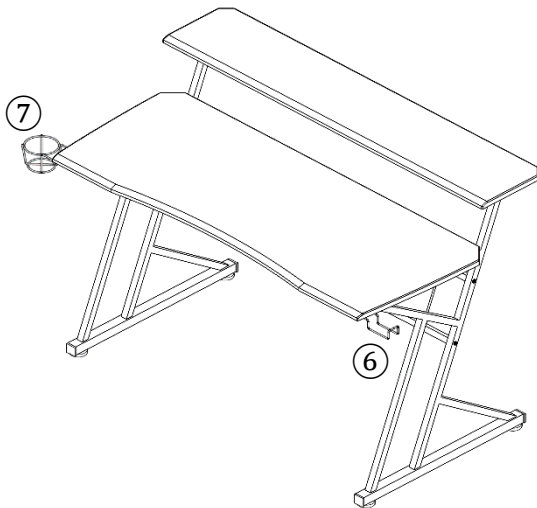
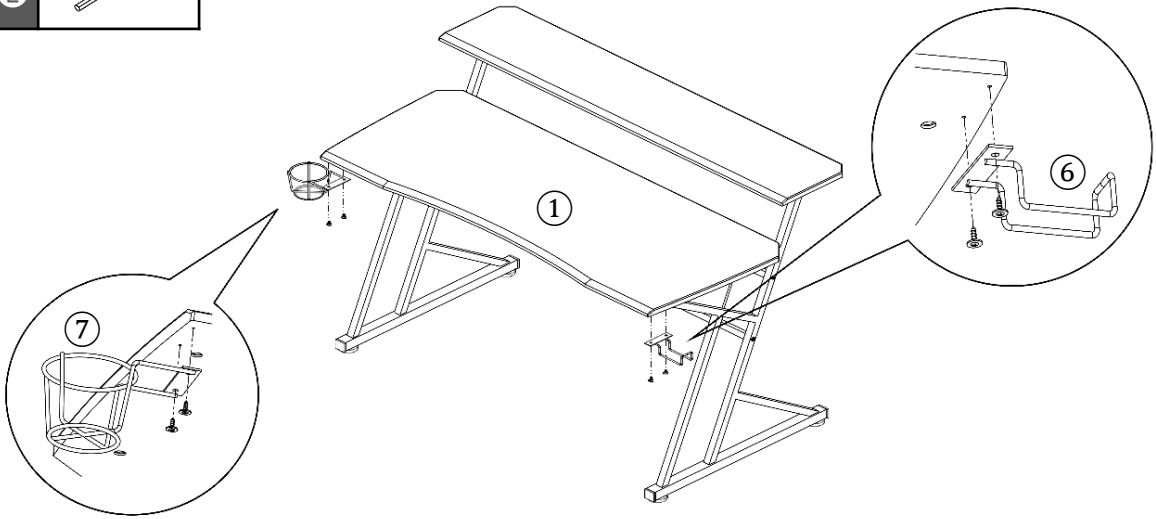


STEP 5

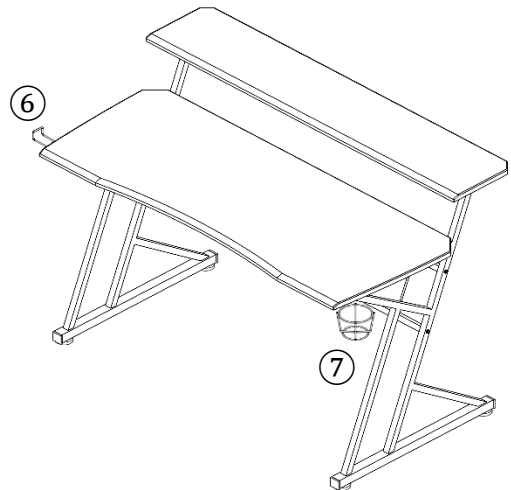
Using screws **C** and from underneath, assemble to the front side corners of the main panel **1** the headset hanger **5** and the cup holder **6** on the side of your preference.

Hardware/Tools:

C	 4x15mm	4 Pcs
E		

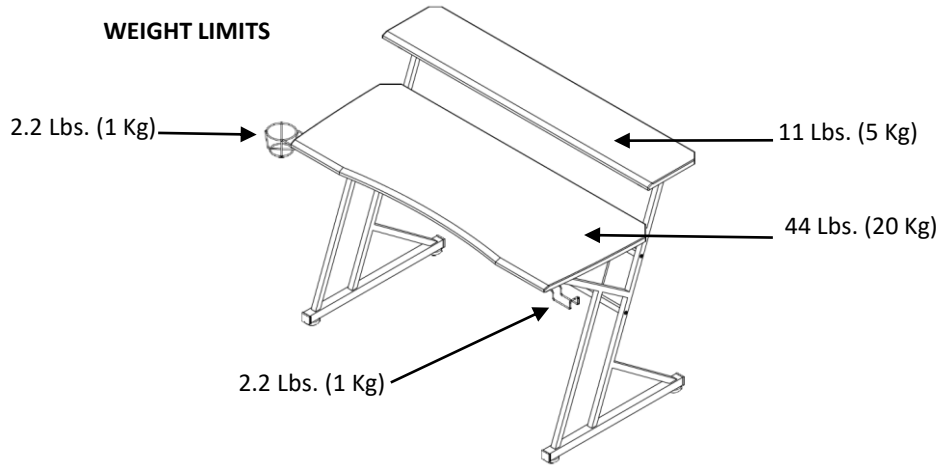


OR:



DONE! Before you start using the unit, make sure that all the screws, bolts, etc. are properly tightened, and read all the warnings in the next page.

AFter the assembly is done, please read carefully the following care and maintenance warnings:



- Do not exceed the indicated weight limits.
- Do not expose the surfaces to direct sunlight or to extreme environmental conditions.
- Clean the surfaces preferable with a clean cloth damped in a solution of mild soap and water, then dry with a clean towel.
- Do not use solvents or abrasive materials to clean the unit.
- If you decide to use a cleaning agent, test first on an area hidden from view such as underneath the tabletop.
- Do not seat on the unit or lean against it.
- Do not allow small children to play under the unit or climb on the desktop and top shelf.
- The unit must be handled by at least 2 persons when moving in the same or adjacent rooms.
- Before moving the unit, make sure to remove any object that is heavy or might fall off.
- When lifting the unit, use both hands and bend your knees, not your backs.
- When transporting the unit to places far away, protect and secure the unit to avoid damage in transit.
- Shall any part of the unit become defective during the warranty period, replacement parts might be available to you at no charge. Please refer to the WARRANTY card included with the product.
- The warranty does not extend to regular wear and tear, nor the manufacturer assumes liability for damages or consequences due to accidents, incorrect assembly, negligence, improper use, modifications, or not heeding the above warnings.
- The warranty is limited to the continental United States. If you reside in Hawaii, Puerto Rico, U.S. Dependencies or other countries, please contact the supplier from where the unit was purchased.