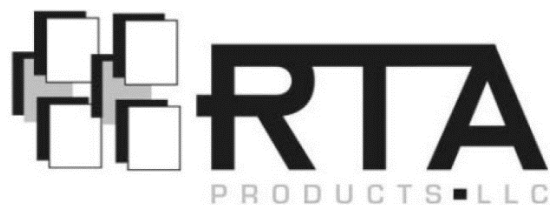
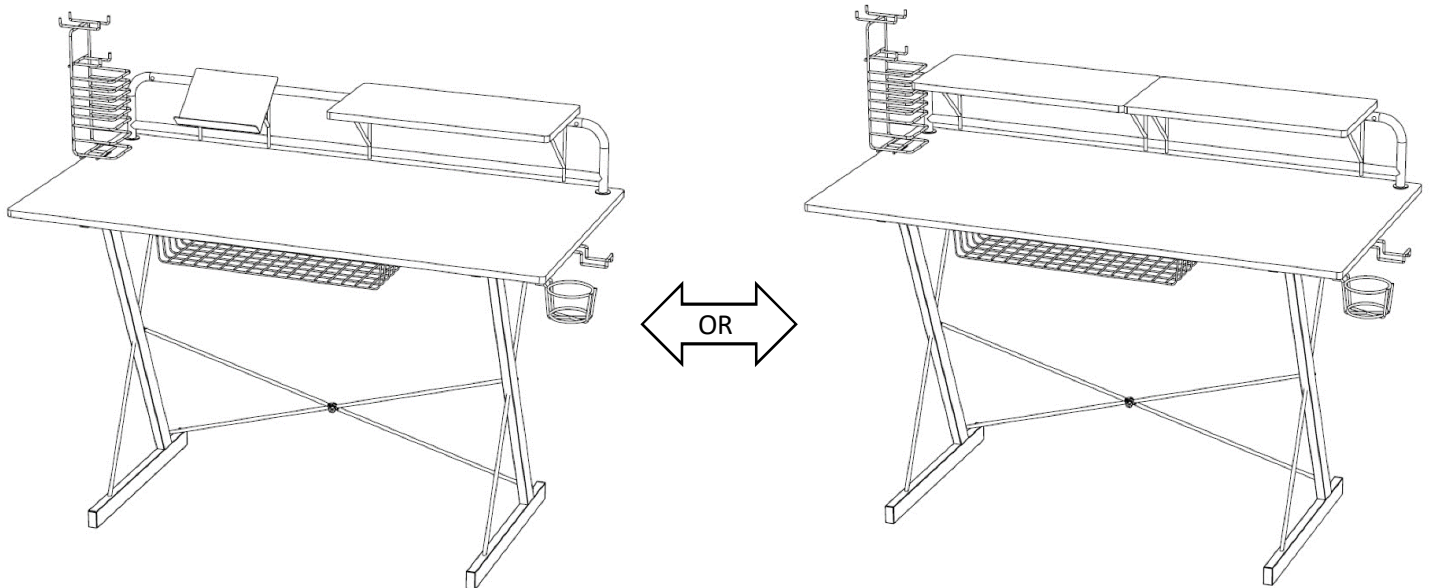




MODEL RTA-TS200

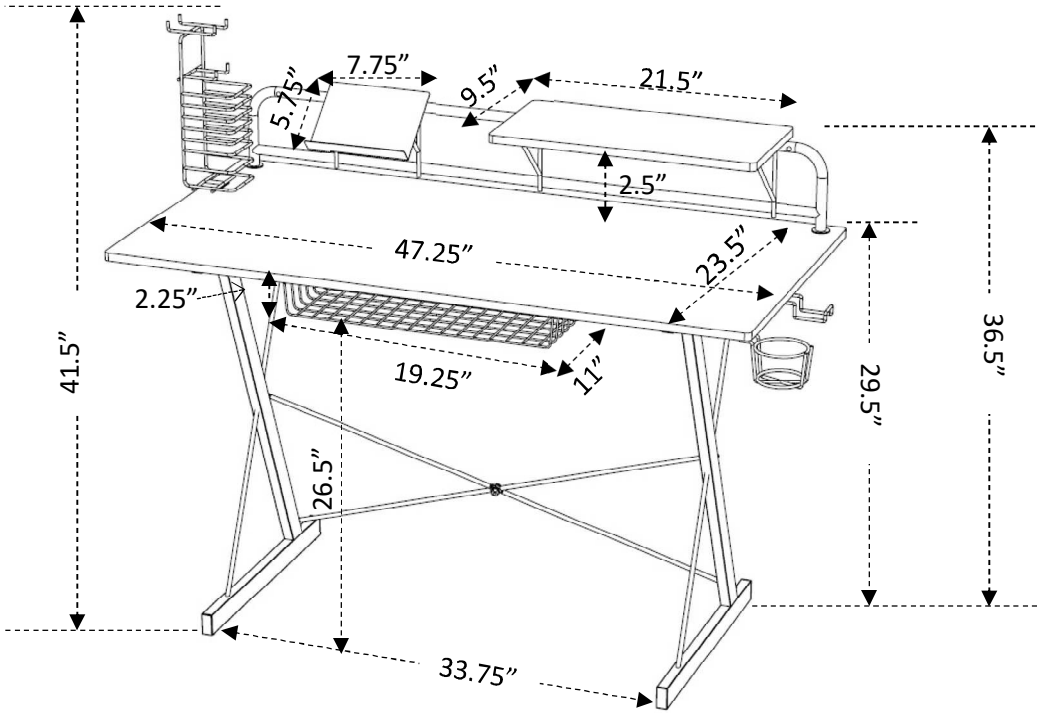
Thanks for purchasing one of our products.
Please read carefully the assembly instructions before the installation.
Please save this manual for future reference.



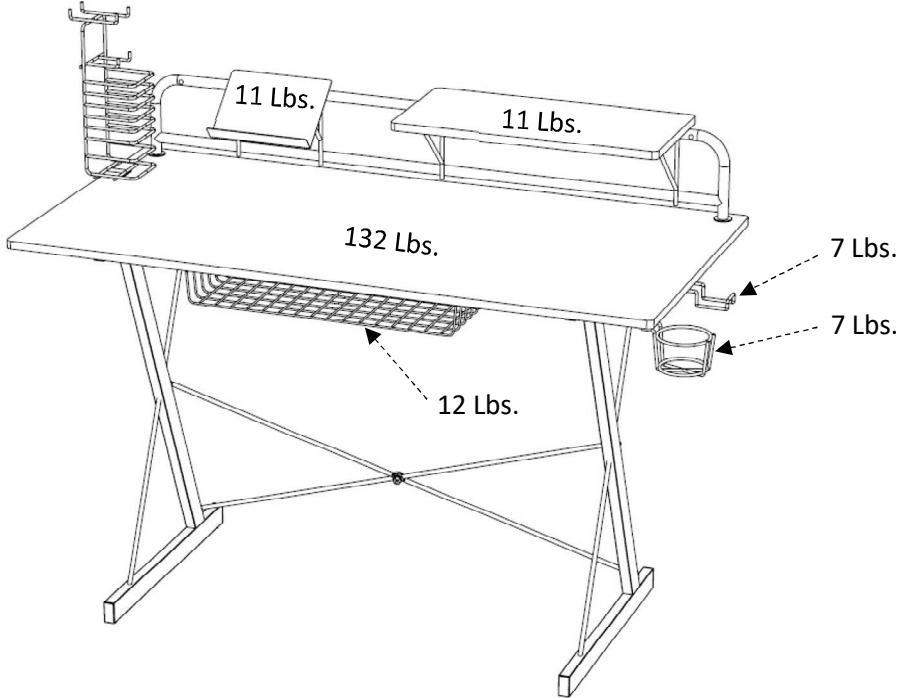
PRODUCT DIMENSIONS:

GENERAL DIMENSIONS:

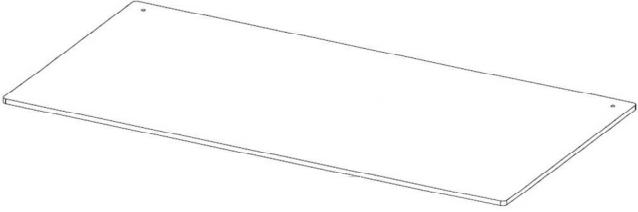
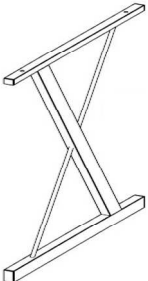
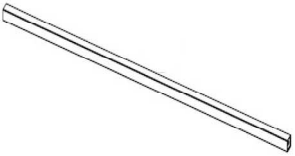
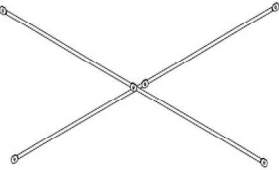
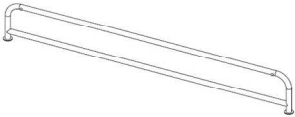
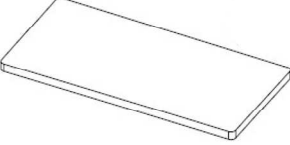
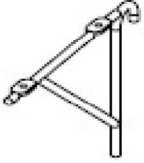
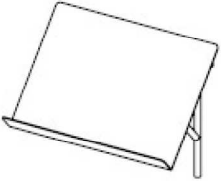
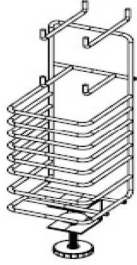


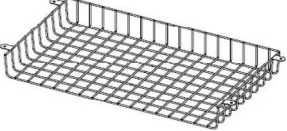



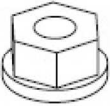
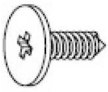
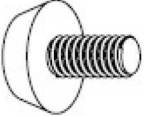

WIDTH: 47.25"
DEPTH: 23.5"
HEIGHT: 41.5"
NET WEIGHT: 41.75 Lbs
SHIPS IN 1 BOX



MAXIMUM WEIGHT CAPACITIES

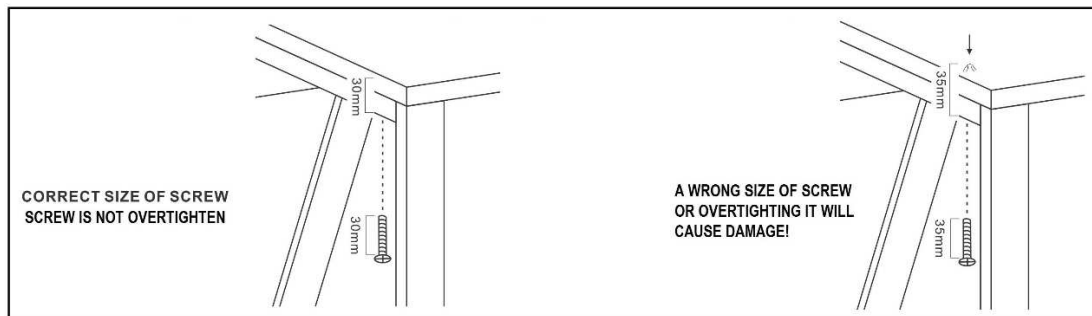


PARTS LIST (Part number, Description, Qty):

<p>1. Tabletop, 1 pc</p> 	<p>2. Main structure, 2 pcs</p> 		<p>3. Horizontal bar, 1 pc</p> 
<p>4. Cross bars, 2 pcs</p> 	<p>5. Top support bar, 1 pc</p> 	<p>6. Monitor shelf, 2 pcs</p> 	<p>7. Shelf support, 4 pcs</p> 
<p>8. Tablet holder, 1 pc</p> 	<p>9. Adjustable CD rack, 1 pc</p> 	<p>10. Cup holder, 1 pc</p> 	<p>11. Headphone holder, 1 pc</p> 
<p>12. Wire basket, 1 pc</p> 	<p>A. M6*45mm, 4 pcs</p> 	<p>B. M6*30mm, 4 pc</p> 	<p>C. M6*12mm, 5 pc</p> 
<p>D. ØM6 nut, 1 pc</p> 	<p>E. M4*12mm, 16 pcs</p> 	<p>19. Stud, 4 pc</p> 	<p>20. Allen Key 4mm, 1 pc</p> 

GENERAL ASSEMBLY TIPS AND TROUBLESHOOTING DURING ASSEMBLY:

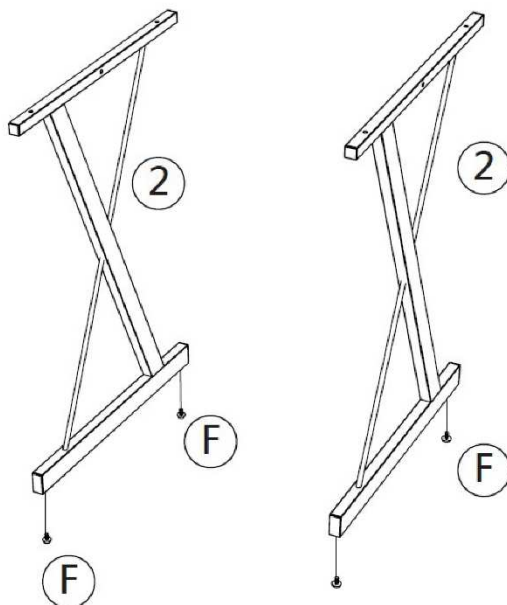
- ① Before you start assembling, make sure that you have all the parts and hardware by doing a quick inventory. The unit might or not include all the necessary tools.
- ① Read first the instructions and analyze all illustrations before starting the assembly.
- ① Follow the assembly instructions step by step and do not skip any. If you find an issue when doing a step, please contact customer service for assistance.
- ① On each step, and to avoid misalignments, always leave the screws loose, and do not tighten them until all screws are in place.
- ① If there are no visible holes in wood panels: The laminate might be covering them. Pass the tip of your finger around the area where the hole should be located, and press against the surface to feel the indentation.
- ① Make sure to use the correct size of screws or bolts on a part, and avoid overtighten them. Using wrong screws or overtighten them might cause damage to the screw, the hole's threading, or the parts.



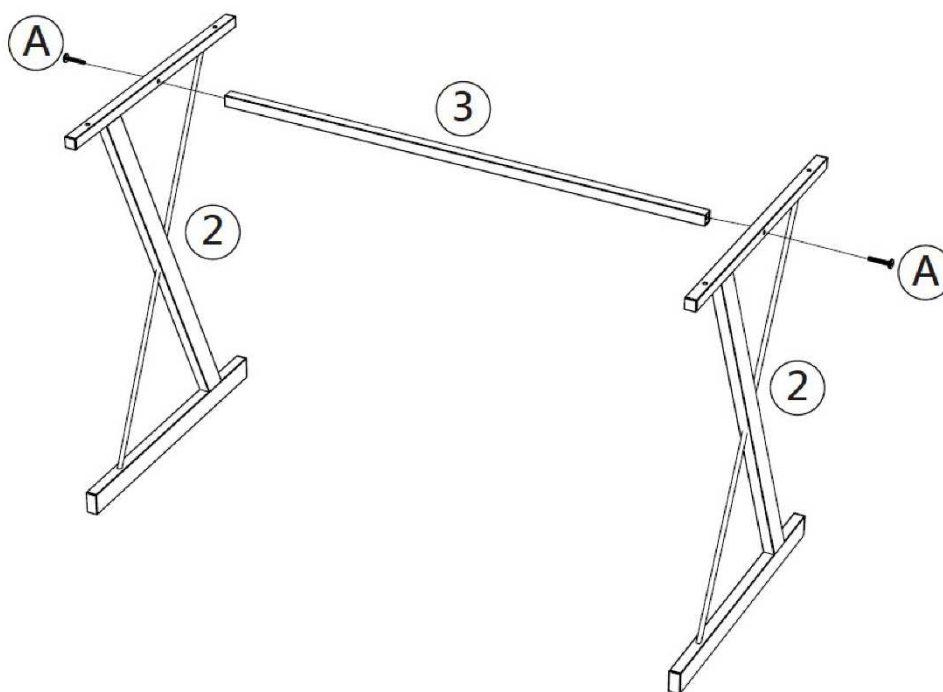
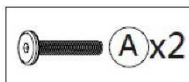
ASSEMBLY STEPS:

1

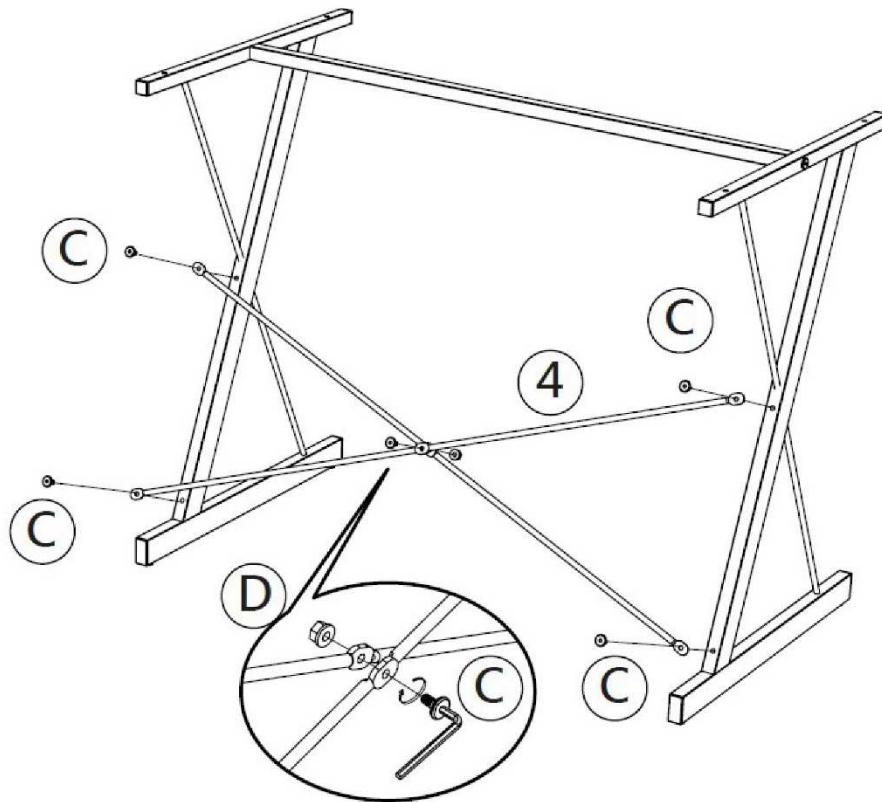
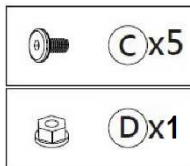
Insert the studs (F) into the bottom of the structures (2) as shown.

**2**

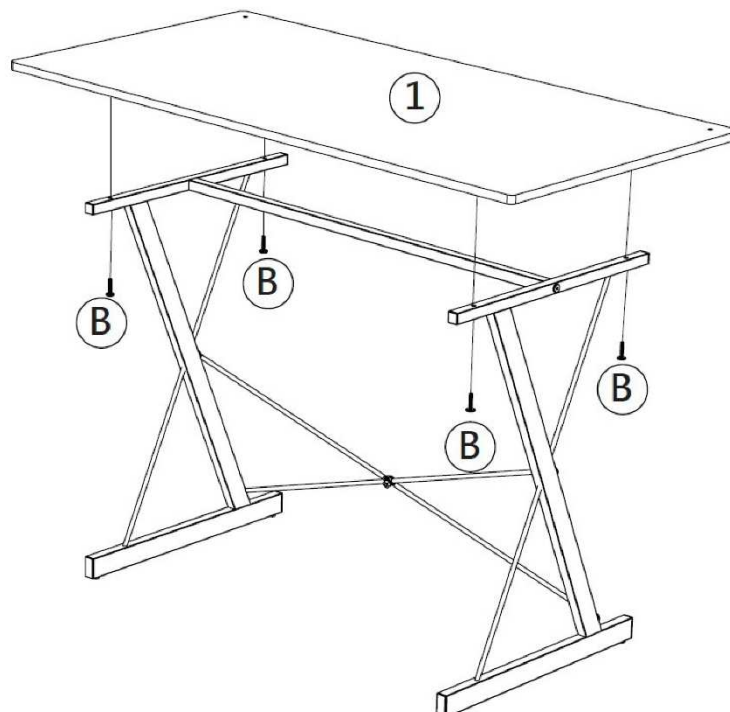
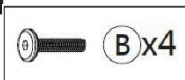
Assemble the tube (3) in between the structures (2) using screws (A) as shown.



- 3** Assemble the cross bars (4) to the structures (2) and to each other using screws (C) and nuts (D) as shown. Screw loose and tighten until all screws are in their places.

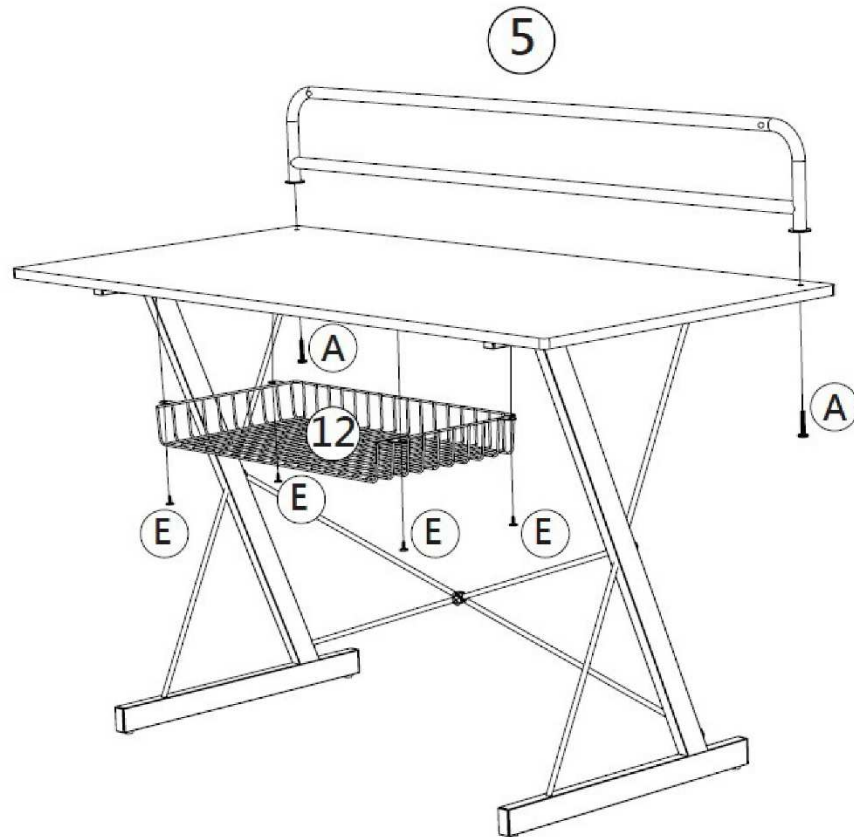
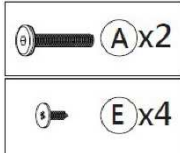


- 4** Assemble the tabletop (1) to the structures (2) using screws (B) as shown.

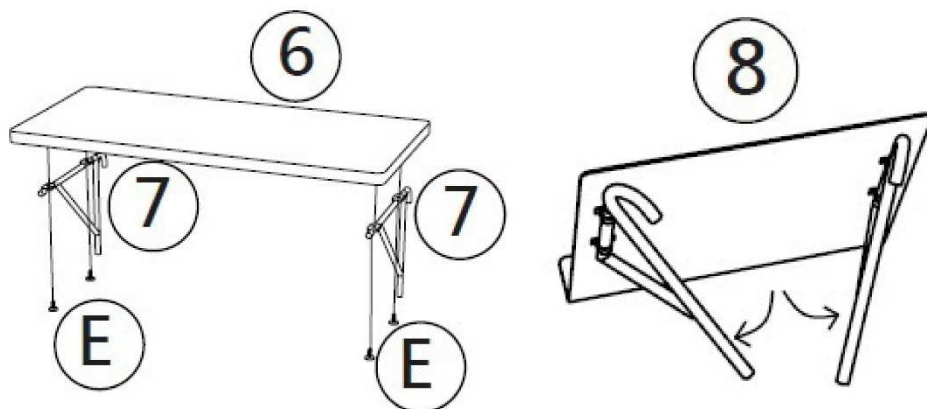
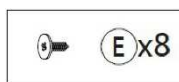


5

Assemble the top support bar (5) to the tabletop (1) using screws (A). Then assemble the wire basket (12) to the underside of the tabletop using screws (E) as shown.

**6**

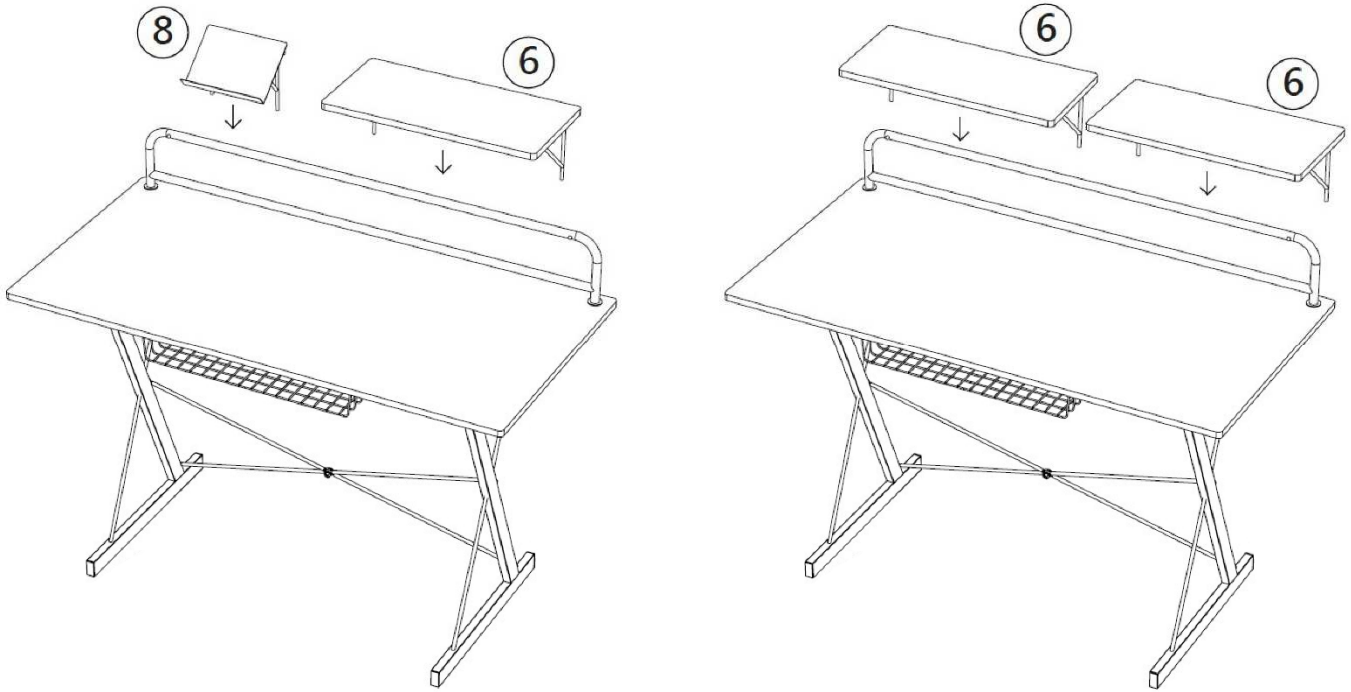
Assemble the shelf supports (7) to the monitor shelves (6) using screws (E) as shown. Then unfold the support tubes of the tablet holder (8) as shown.



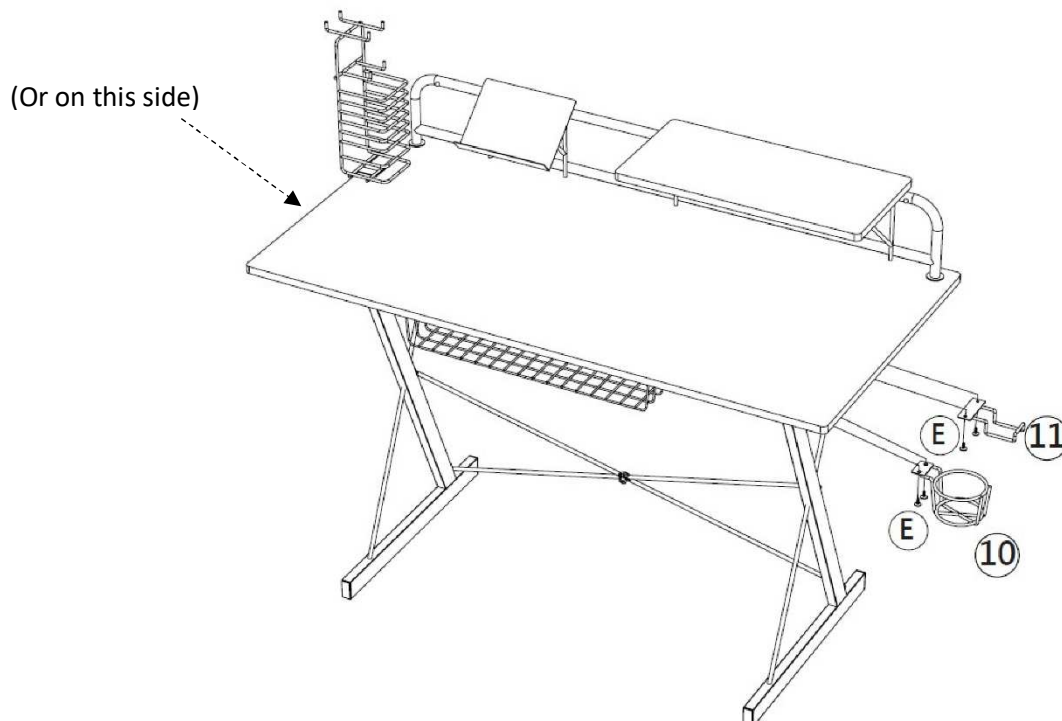
7

You can now place on the top support bar, and according to your needs:

- The tablet holder (8) beside one of the monitor shelf (6) for single monitor use.
- Two monitor shelves (6) side by side for dual monitor use.

**8**

Assemble the cup holder (10) and headphone holder (11) to either side of the unit using screws (E) as shown.



CARE, MAINTENANCE AND WARNINGS:

- ⚠ Do not expose the surfaces to direct sunlight or to extreme environmental conditions. Damages caused by this kind of exposure is not covered by the product's warranty.
- ⓘ Clean the surfaces preferable with a soft cloth damped with a solution of mild soap And water, then dry with a clean towel.
- ⚠ Do not use solvents or abrasive materials to clean any part of the unit.
- ⓘ Do not allow children to play over or under the unit.
- ⓘ Before moving or transporting the unit:
 - a) Remove the monitors and all objects from the unit that are heavy or might fall off.
 - b) If the unit is on glides, it is preferable to pull rather than push.
 - c) If you have the unit on wheels, make sure that they are unlocked.
 - d) If the unit is not on wheels, or need to be transported far from its current place, it then must be handled by at least 2 persons. Use both of your hands and bend your knees, not your backs.
- ⓘ Making any modification to the unit will void the warranty on it.