

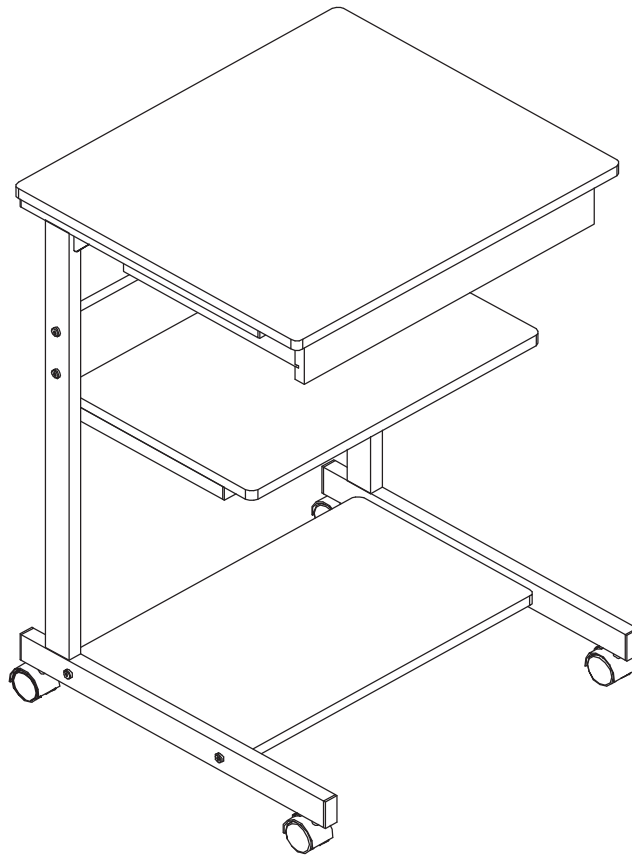
ASSEMBLY INSTRUCTIONS

MODEL RTA-B018

Thanks for purchasing one of our products.
Please read carefully the assembly instructions before the installation.
Please save this manual for future reference

WARNING:

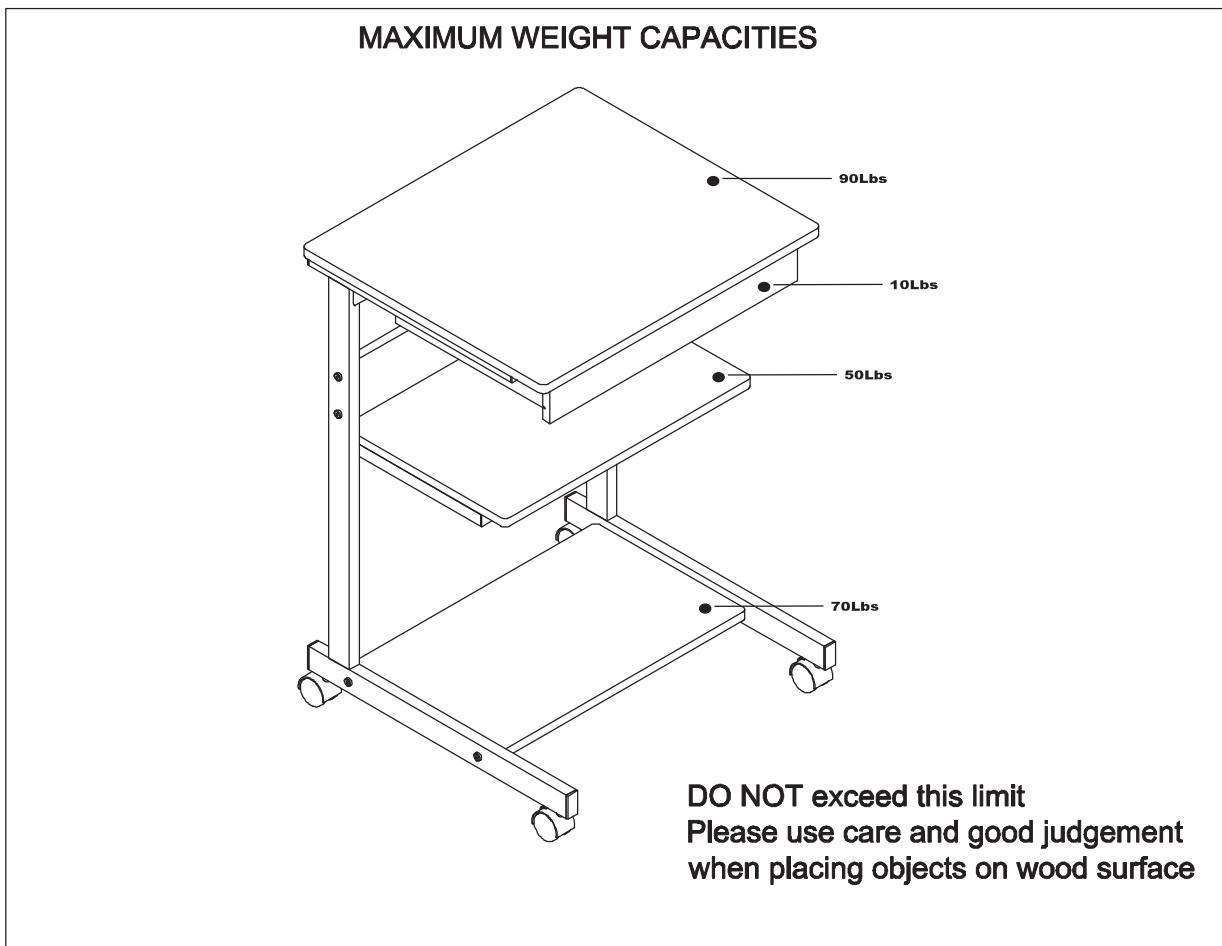
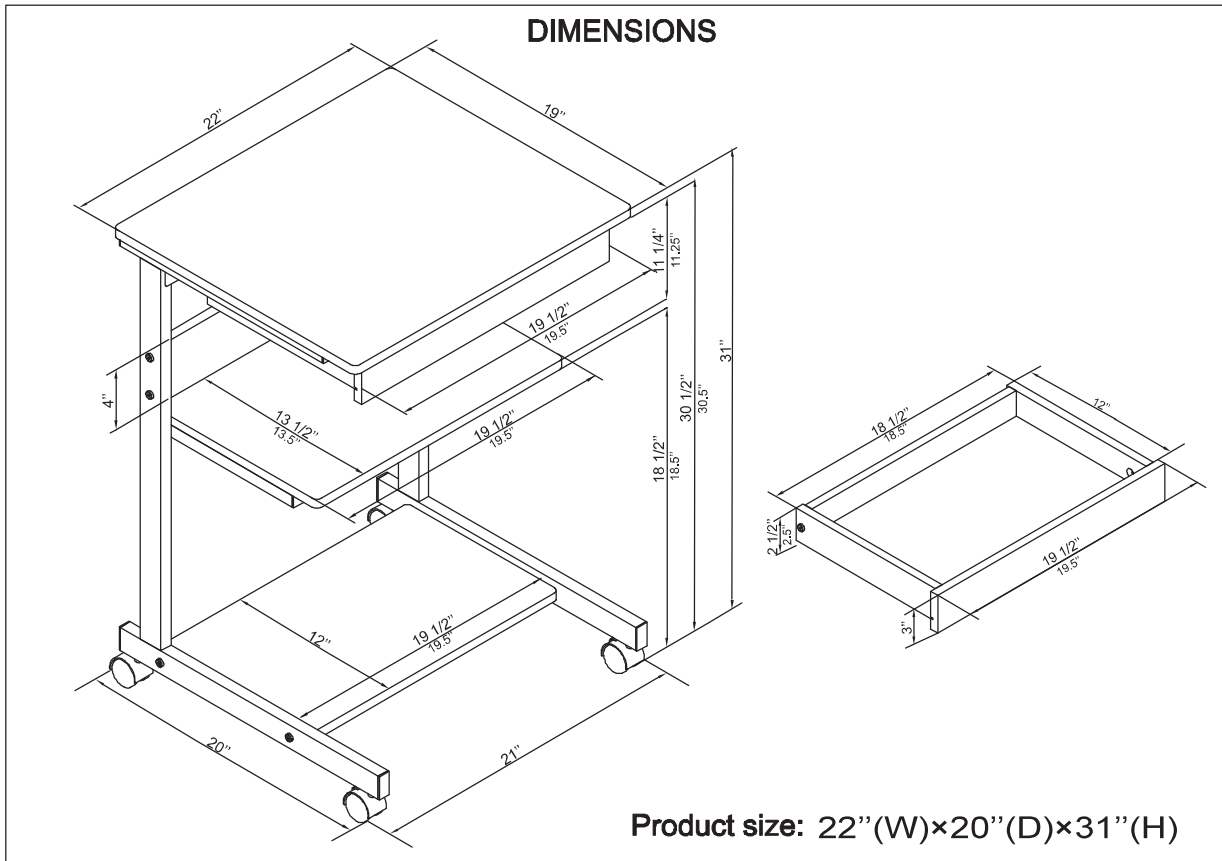
DO NOT EXPOSE THE SURFACES TO DIRECT SUN LIGHT. EXPOSURE WILL DAMAGE IT SURFACES, WHICH WILL NOT BE COVERED UNDER THE PRODUCT'S WARRANTY.



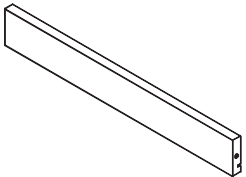
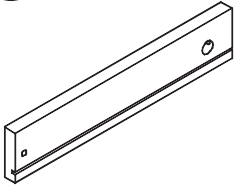
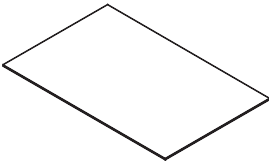
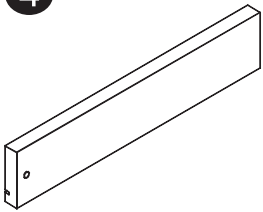
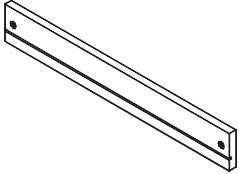
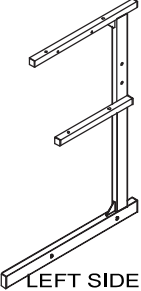
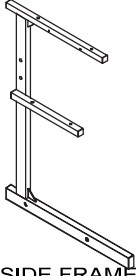
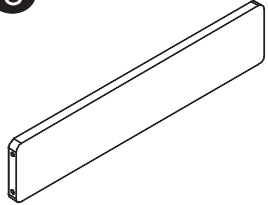
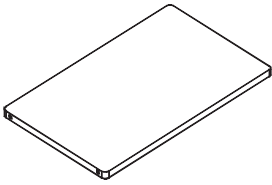
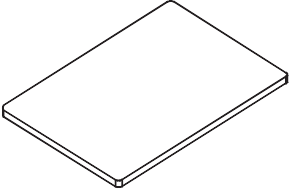
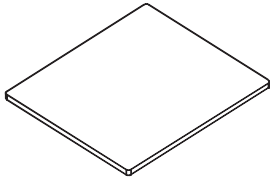
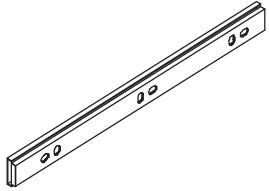
MODEL RTA-B018



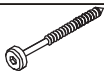

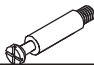


RTA-B018 COMPUTER TABLE








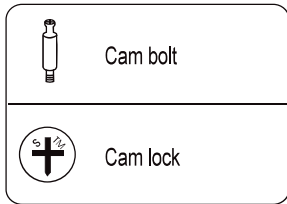
▪ PARTS LIST

<p>1 ×1</p>  <p>DRAWER BACK PANEL</p>	<p>2 ×1</p>  <p>DRAWER RIGHT SIDE</p>	<p>3 ×1</p>  <p>DRAWER BTTOM PANEL</p>	<p>4 ×1</p>  <p>DRAWER LEFT SIDE</p>
<p>5 ×1</p>  <p>DRAWER PANEL</p>	<p>6 ×1</p>  <p>LEFT SIDE FRAME</p>	<p>7 ×1</p>  <p>RIGHT SIDE FRAME</p>	<p>8 ×1</p>  <p>BACK PANEL</p>
<p>9 ×1</p>  <p>BOTTOM PANEL</p>	<p>10 ×1</p>  <p>MIDDLE PANEL</p>	<p>11 ×1</p>  <p>TOP PANEL</p>	<p>12 ×2</p>  <p>SLIDER</p>

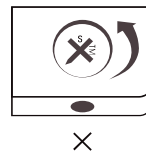
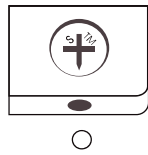
▪ SCREWS

PART	QTY.	ITEM	
A	10	M5x60	
B	2	CAM LOCK	
C	2	CAM BOLT	
D	2	CASTER	
E	2	CASTER W/LOCK	

PART	QTY.	ITEM	
F	8	M6x30	
G	4	M4x12	
H	4	M4x8	
		TOOLS	
		TOOLS	

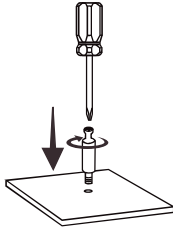


ALIGNING THE CAM LOCK



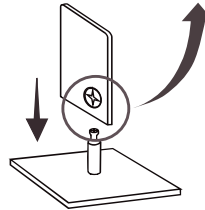
Longer groove on cam lock must be pointing to the hole where the cam bolt enters in the panel.
Use the screwdriver to turn to the correct position.

A1.



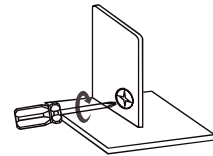
Screw the cam bolt to one panel

A2.



Insert and align cam lock on the other panel, and slide over panel with cam bolt

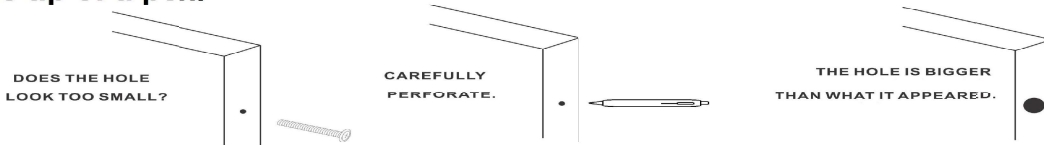
A3.



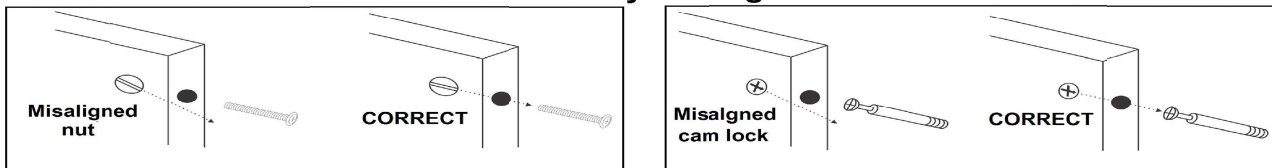
Turn cam lock clockwise to lock the panels together

GENERAL ASSEMBLY TIPS AND TROUBLESHOOTING DURING ASSEMBLY:

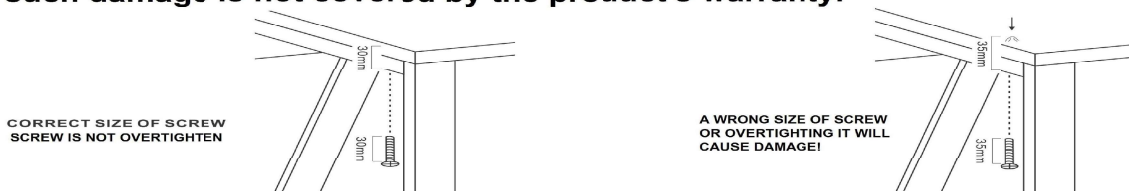
- * Before you start assembling, make sure you have all the parts and necessary hardware by doing a quick inventory.
- * Follow the assembly instructions step by step, and do not skip any unless advised to do so by RTA PRODUCTS' Customer Service.
- * On each step, and to avoid misalignments, always leave screws loose, and do not tighten them until all are in place.
- * In wood panels, the laminate might be covering the holes.
 If there are no visible holes: Pass the tip of your finger around the area where the hole should be, and press against the surface to feel the indentation.
 If the hole looks too small for the screw or bolt: carefully perforate the laminate with the tip of a pen.



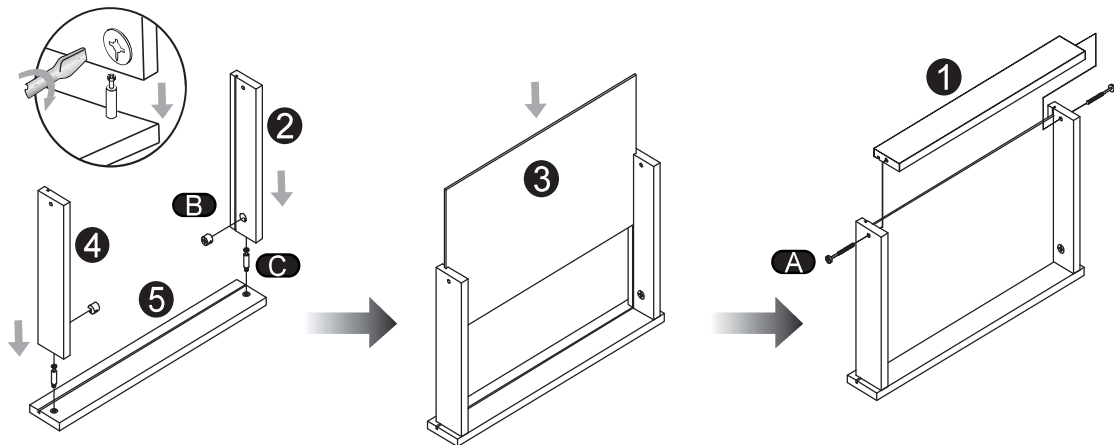
- * In wood panels, some might have inserts that look like screws. Those inserts are either nuts or cam locks. Make sure they are aligned to receive the screws or bolts.



- * Make sure to use the correct screws or bolts, and do not overtighten them. Using wrong screws or overtightening them might cause damage to the parts, and such damage is not covered by the product's warranty.

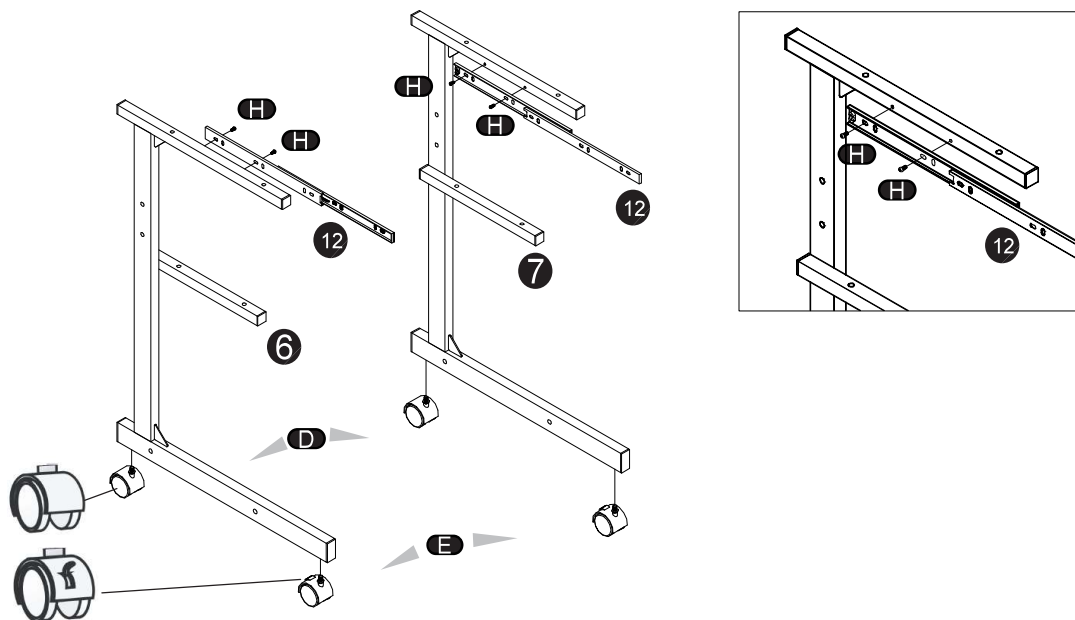


1



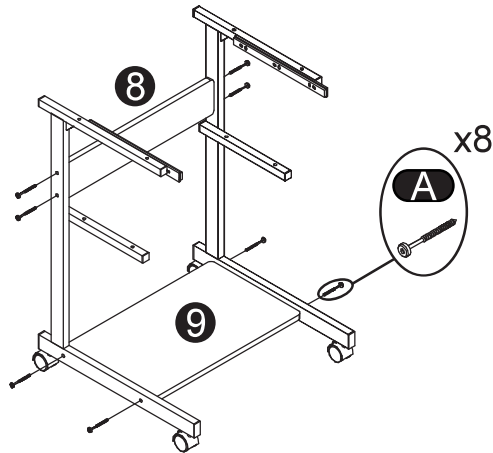
Utility drawer assembly. Take panels #2 and #4 and connect them with panel #5 using cam bolt #C and tighten with cam lock #B. Then take drawer bottom panel #3 and insert it thru the side channel of both panels #2 and #4. Take panel #1 and attach it to drawer frame with screws A.

2



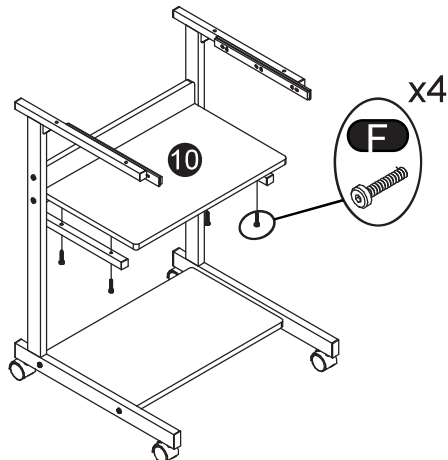
Attach the sliders #12 to the top bars of the left side frame #6 and the right side frame #7 using screws H. Then assemble the non-locking casters #D to the back of the frames, and the locking casters #E to the front of the frames.

3



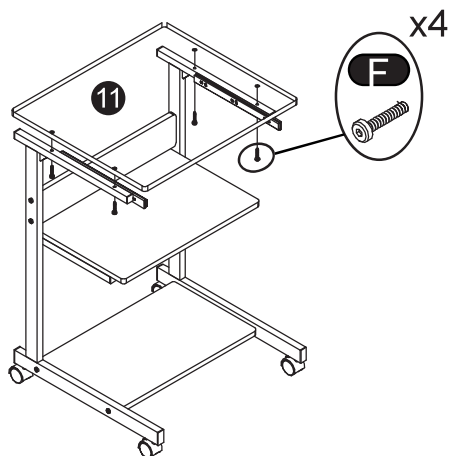
Connect both metal frames using back panel #8 and bottom panel #9 with screws #A.

4



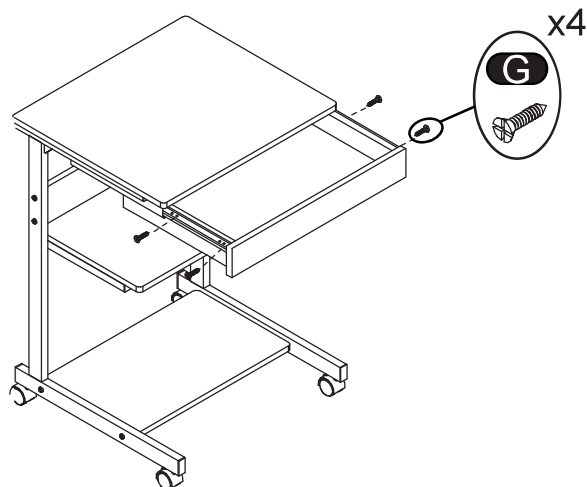
Attach shelf #10 to the metal frame with screws F.

5



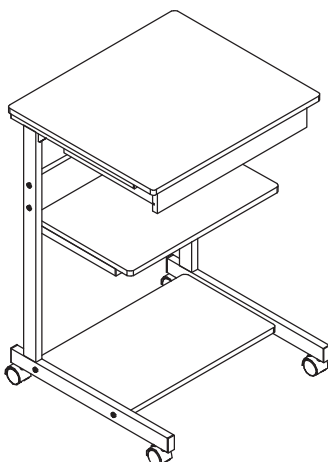
Place main desk panel #11 on top of metal frame and attach it with screws #F.

6



Pull out the sliders and attach to them the utility drawer with screws #G.

7



Your desk is completely assembled

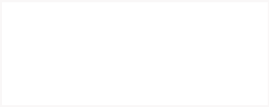
PROBLEM WITH YOUR PURCHASE?

Contact Us First!

- **ORDER PARTS ONLINE** at: Technimobili.com
- E-mail us at: warranty@rtaproducts.com
- Call Customer Service at: **1-866-782-5520**

(Customer Service available: M - F • 9:00am - 4:30pm ET)

CARE AND MAINTENANCE

- 
- DO NOT EXPOSE THE SURFACES TO DIRECT SUNLIGHT, OR EXTREME ENVIRONMENTAL CONDITIONS. EXPOSURE WILL DAMAGE THE PRODUCT, WHICH IS NOT COVERED BY THE WARRANTY.
 - CLEAN THE SURFACES PREFERABLE WITH A SOLUTION OF A SMOOTH SOAP AND WATER, THEN CLEAR WITH A DRY TOWEL.
 - DO NOT USE SOLVENTS OVER STRUCTURAL TUBES.
 - BEFORE MOVING OR TRANSPORTING THE UNIT, REMOVE ALL ITEMS FROM THE TABLE THAT MIGHT FALL OVER, AND MAKE SURE THE CASTERS ARE UNLOCKED.
 - WHEN LIFTING, THE UNIT SHOULD BE HANDLED BY AT LEAST 2 PERSON AND BEFORE DOING SO, REMOVE ALL OBJECTS FROM THE TABLE. GRAB THE UNIT FROM ITS MAIN STRUCTURES WITH BOTH HANDS.
 - DO NOT LEAN OVER THE TABLE OR SEAT ON IT.
 - DO NOT ALLOW CHILDREN TO PLAY OVER OR UNDER THE TABLE.