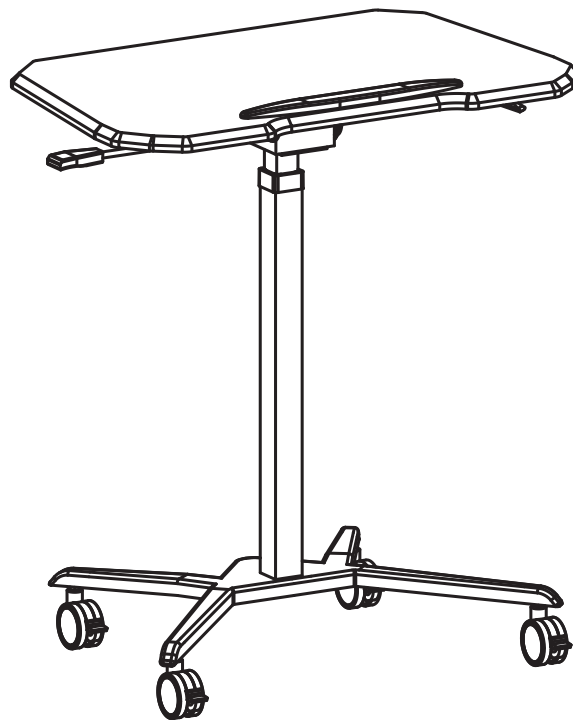


## MODEL RTA-B008

### ASSEMBLY INSTRUCTIONS

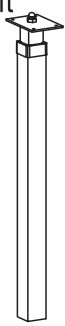
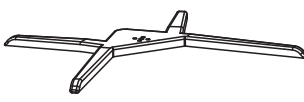

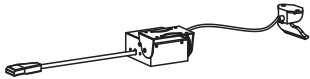
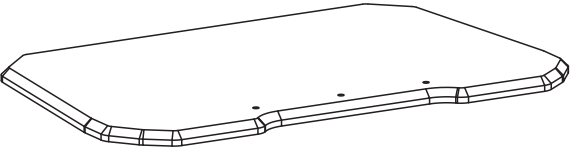


Thank you for purchasing one of our products.  
Please read carefully the assembly instructions before the installation.  
Do not discard this manual or any of the packaging material until the unit  
has been completely assembled.

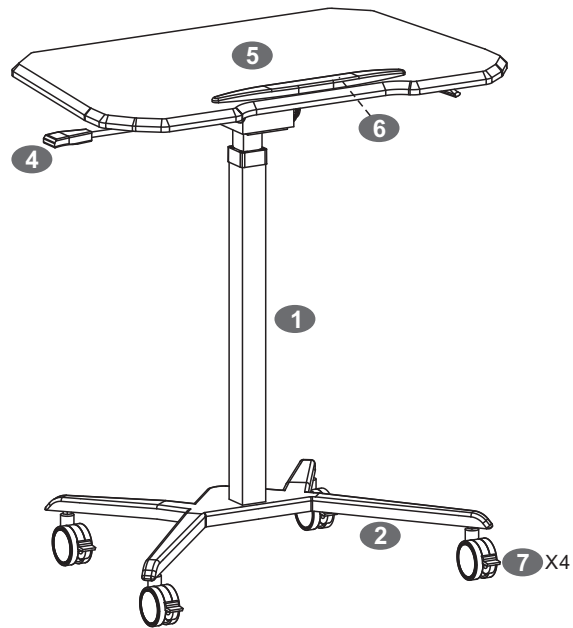









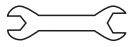
Imported By



**MAIN PARTS LIST:**

<b>1</b> x1 Gas lift 	<b>2</b> x1 Base 	<b>3</b> x1 Support plate 	<b>4</b> x1 Mechanism 
<b>5</b> x1 Main panel 	<b>6</b> x1 Edge stopper 	<b>7</b> x4 Locking casters 	

**PARTS LAYOUT (For reference):**

**SCREWS LIST:**

PART	QTY.	ITEM		PART	QTY.	ITEM	
<b>A</b>	14	6X12 MM		<b>E</b>	4	Φ10-Φ21X2 MM	
<b>B</b>	4	6X8 MM		<b>F</b>	4	Φ14-Φ9X3 MM	
<b>C</b>	4	6X20 MM			1	<b>M 4</b>	
<b>D</b>	3	5X16 MM			1		

**BEFORE YOU START THE ASSEMBLY, PLEASE READ THE FOLLOWING TIPS AND WARNINGS.**

**1** Do a quick inventory to make sure the package contains all the parts and hardware listed in the assembly instructions.



**2** Missing, damaged and defective parts can be replaced at no cost to you. Please refer to the CONTACT card included with the product.



**3** The replacement parts service is limited to the continental United States. If you reside in Hawaii, Puerto Rico, U.S. Dependencies or other countries, please contact the supplier from where the unit was purchased.



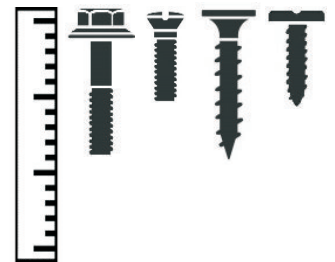
**4** If during assembly you find an issue or need clarification, please contact our Customer Service for assistance. Please refer to the CONTACT card included with the product.



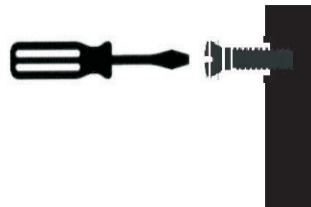
**5** On each step read the instructions and analyze the illustrations thoroughly before proceeding to do the assembly.



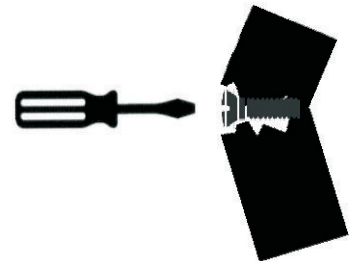
**6** Make sure you understand which hardware will be used on each step. Using the wrong size of screw, bolt or pin might strip the threads or cause damage to the part in which it is being used.



**7** To avoid misalignments, always leave the screws loose and tighten them until all pieces are positioned correctly.



**8** Do not overtighten or force the screws as they might break, strip, damage the threads of the holes or get stuck inside the part.



**9** Sometimes the laminate might cover partially or entirely the hole on a panel. If there is no visible hole for the screw, pass and press the tip of your finger over the area where the hole should be located to feel the indentation, and once found, carefully pierce the laminate to reveal the hole underneath.



**10** If the hole seems too small for the screw, first make sure you are using the correct size of screw and that it's been installed in the correct hole. If the hole still appears to be too small, carefully pierce the laminate to reveal the hole's actual size.



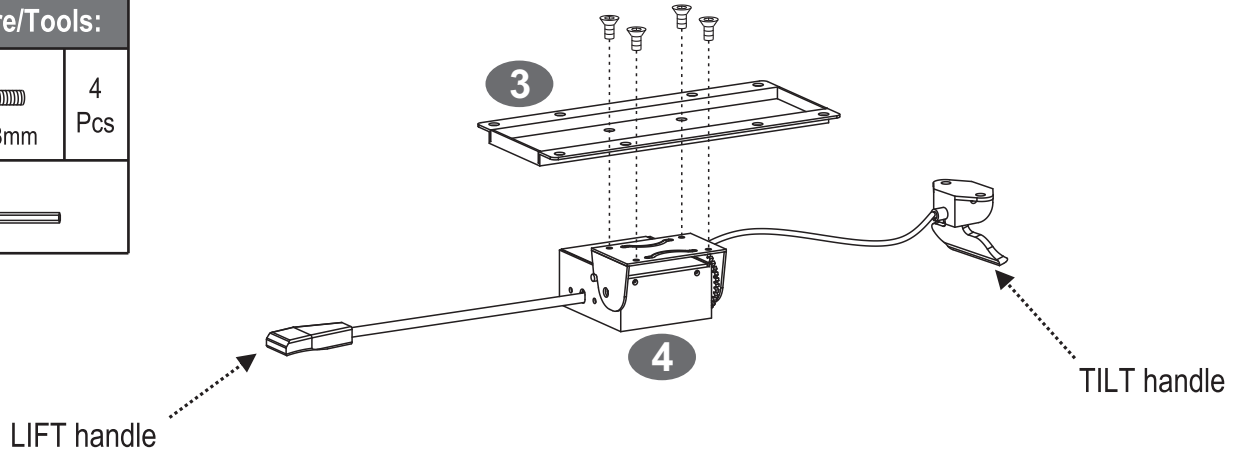
ASSEMBLY STEPS

STEP 1

Assemble the support plate (3) to the mechanism (4) using screws (B).

Hardware/Tools:

(B) 6x8mm 4 Pcs

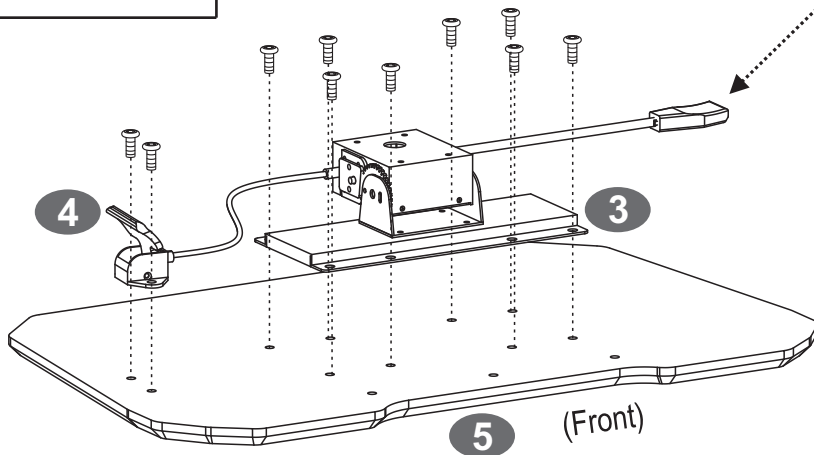


STEP 2

Place the main panel (5) upside down with its front towards you, and using screws (A) assemble the support plate (3) with the LIFT handle from the mechanism (4) facing to your RIGHT as shown.

Hardware/Tools:

(A) 6x12mm 10 Pcs



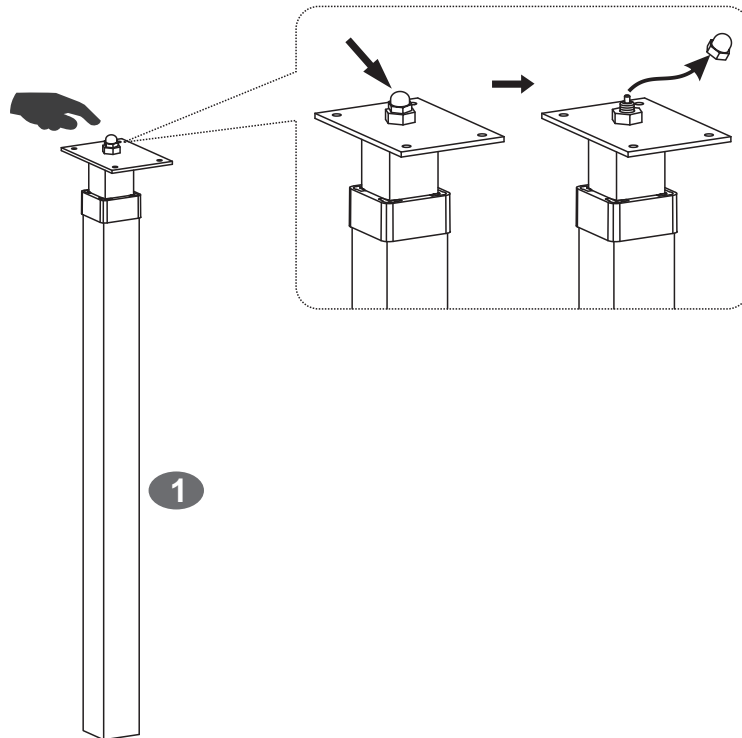
LIFT handle from mechanism (4) Facing to your RIGHT

NOTE: When the unit is completely assembled, the LIFT handle will be located on the LEFT and the TILT handle on the RIGHT



## STEP 3

Remove the protective cap from the top of the gas lift ①.



## STEP 4

With the main panel upside-down, assemble the gas lift ① to the mechanism ④ using screws ① as shown.

## Hardware/Tools:

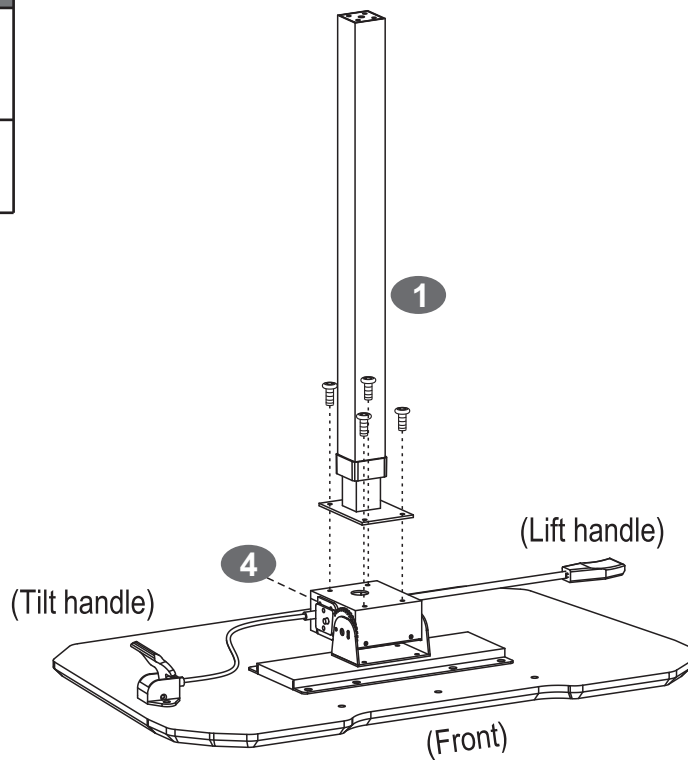
A



6x12mm

4




Pcs

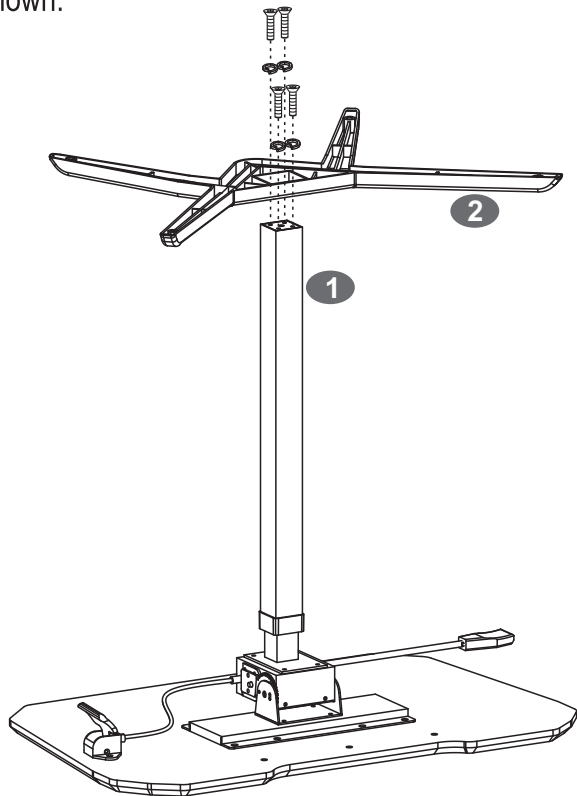


**STEP 5**

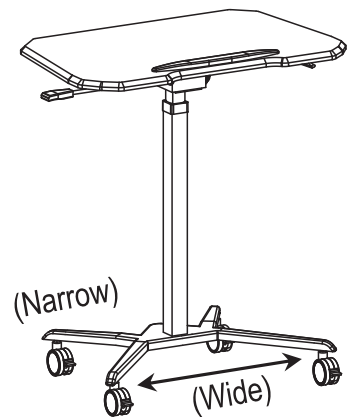
Assemble the base (2) to the bottom of the gas lift (1) using screws (C) and O-rings (F) as shown.

**Hardware/Tools:**

<b>C</b>	 6x20mm	4 Pcs
<b>F</b>	 Ø14-Ø9 X3mm (thk)	4 Pcs
		




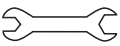
**NOTE:** Once the unit is completely assembled and upright, the WIDER side will be located on the FRONT and the NARROW side on the BACK

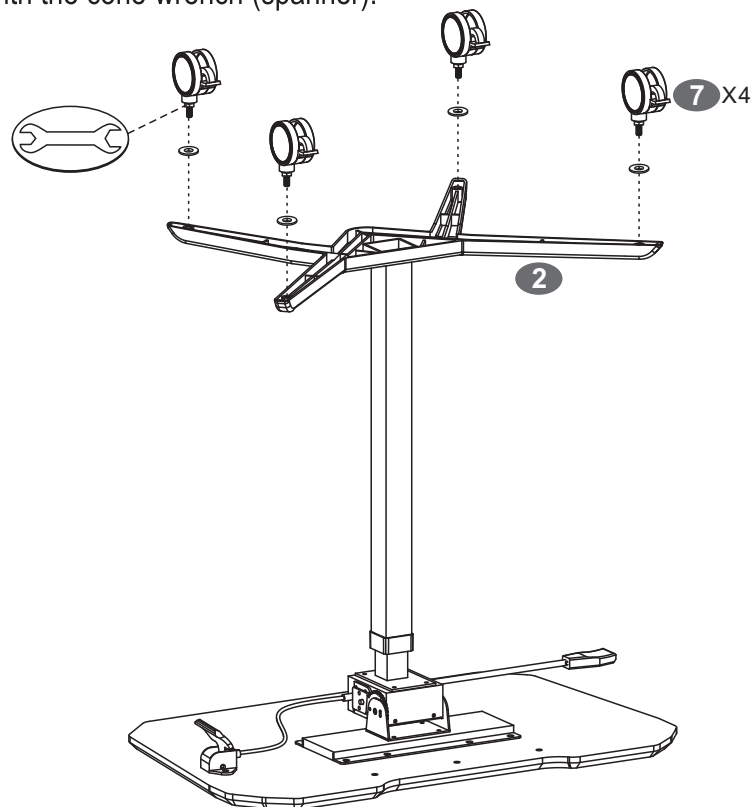


**STEP 6**

Assemble the locking casters (7) to the base (2) with washers (E) in between, and tighten them with the cone wrench (spanner).

**Hardware/Tools:**

<b>E</b>	 Ø10-Ø21 X2mm (thk)	4 Pcs
		



## STEP 7

Use screws ① to assemble the edge stopper ② to the main panel ③ as shown.

## Hardware/Tools:

①



5x16mm

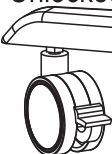
3

Pcs

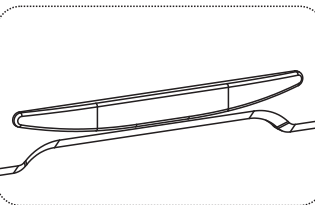
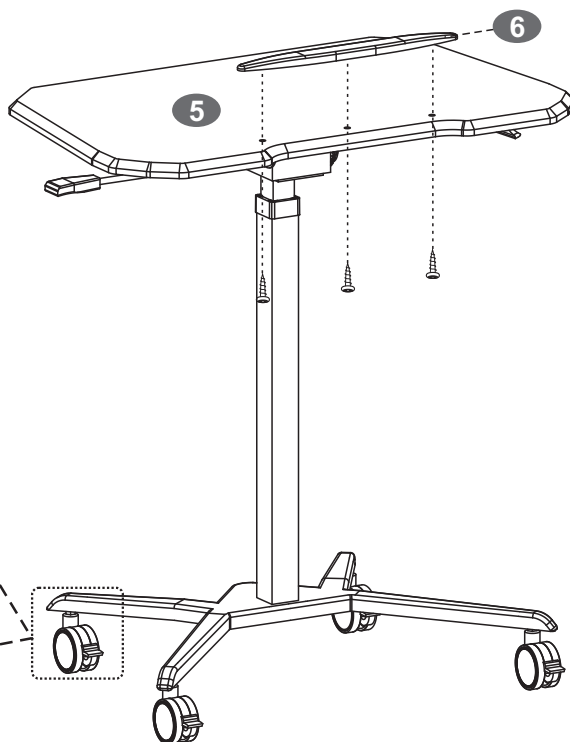
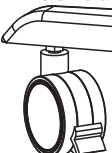


## Casters:

Unlocked



Locked



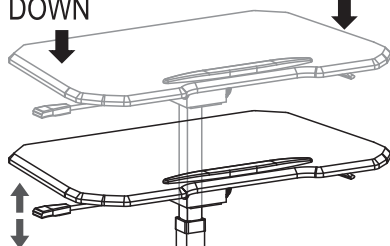
Pay attention to the orientation of the edge

**DONE!** Before you start using the unit, make sure that all the screws, bolts, etc. are properly tightened, learn the product functions explained below and read all the warnings in the next page.

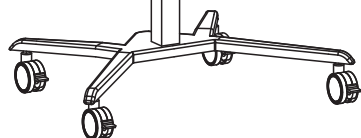
## LIFT FUNCTION

- 1 To lift the tabletop, pull UP the LIFT handle located on the LEFT side.
- 2 To bring the tabletop down, pull UP the same handle at the same time that you PUSH DOWN with both hands on the sides.

PUSH DOWN

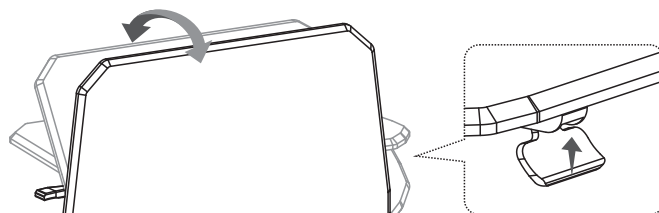


If the unit does not lift after being assembled, review step# 3.

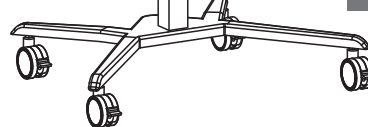


## TILT FUNCTION

- 1 To tilt the tabletop forward/down, pull UP the TILT handle located on the RIGHT side.
- 2 To tilt the tabletop back to flat, pull UP the same handle.



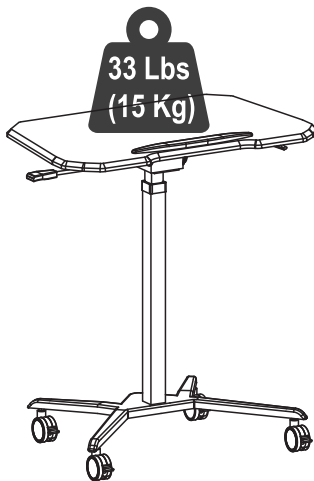
ATTENTION: BE CAREFUL WITH DEVICES ON THE TABLETOP!



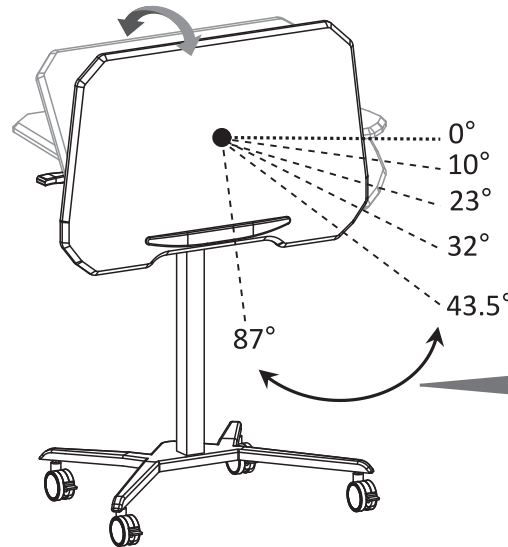
ATTENTION: PLEASE BE CAREFUL WITH DEVICES YOU HAVE ON THE TABLETOP WHEN ADJUSTING THE UNIT FOR THE LIFT AND TILT FUNCTIONS!

AFTER THE ASSEMBLY IS DONE, PLEASE READ CAREFULLY THE FOLLOWING CARE AND MAINTENANCE WARNINGS:

**WEIGHT LIMIT**



**TILT ANGLES**



PLEASE USE DISCRETION AND GOOD JUDGEMENT WHEN USING DEVICES ON THE UNIT AT CERTAIN ANGLES

- Do not exceed the indicated weight limit.
- Use discretion and good judgement when using devices with the tabletop tilted at certain angles.
- Do not expose the surfaces to direct sunlight or to extreme environmental conditions.
- Clean the surfaces preferable with a clean cloth damped in a solution of mild soap and water, then dry with a clean towel.
- Do not use solvents or abrasive materials to clean the unit.
- If you decide to use a cleaning agent, test first on an area hidden from view such as underneath the tabletop.
- Do not use the unit to seat persons.
- Do not allow small children to play with the unit.
- Before moving the unit, make sure that all the casters are unlocked.
- Keep the devices secured on the tabletop when moving the unit.
- Shall any part of the unit become defective during the warranty period, replacement parts might be available to you at no charge. Please refer to the WARRANTY card included with the product.
- The warranty does not extend to regular wear and tear, nor the manufacturer assumes liability for damages or consequences due to accidents, incorrect assembly, negligence, improper use, modifications, or not heeding the above warnings.
- The warranty is limited to the continental United States. If you reside in Hawaii, Puerto Rico, U.S. Dependencies or other countries, please contact the supplier from where the unit was purchased.