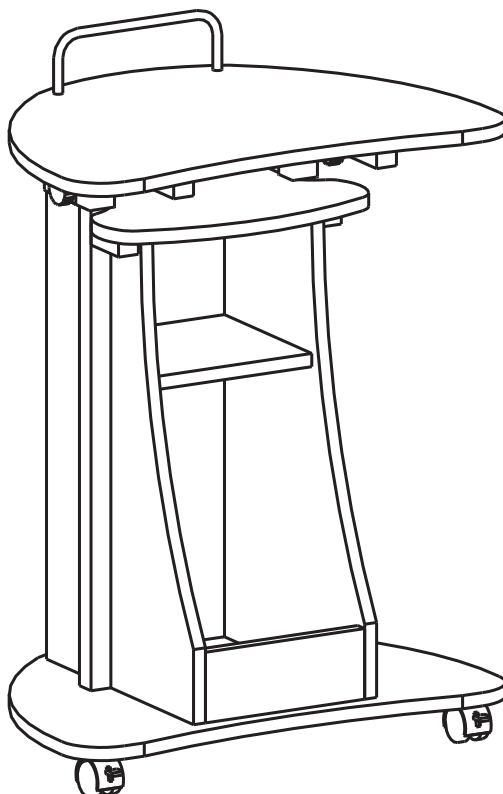


# MODEL RTA-B002 ASSEMBLY INSTRUCTIONS

Thank you for purchasing our products.



Scan QR Code to view  
full assembly video



- Please read carefully the assembly instructions before the installation.



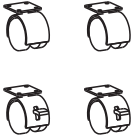
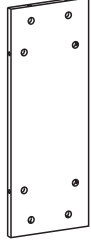




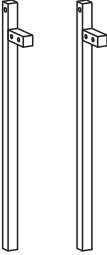
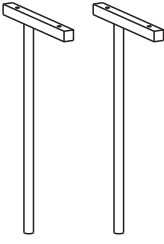
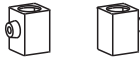

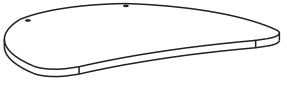



- Do not discard this manual or any of the packaging material until the unit has been completely assembled.

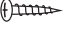


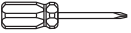



- Scan QR Code to view full assembly and step video

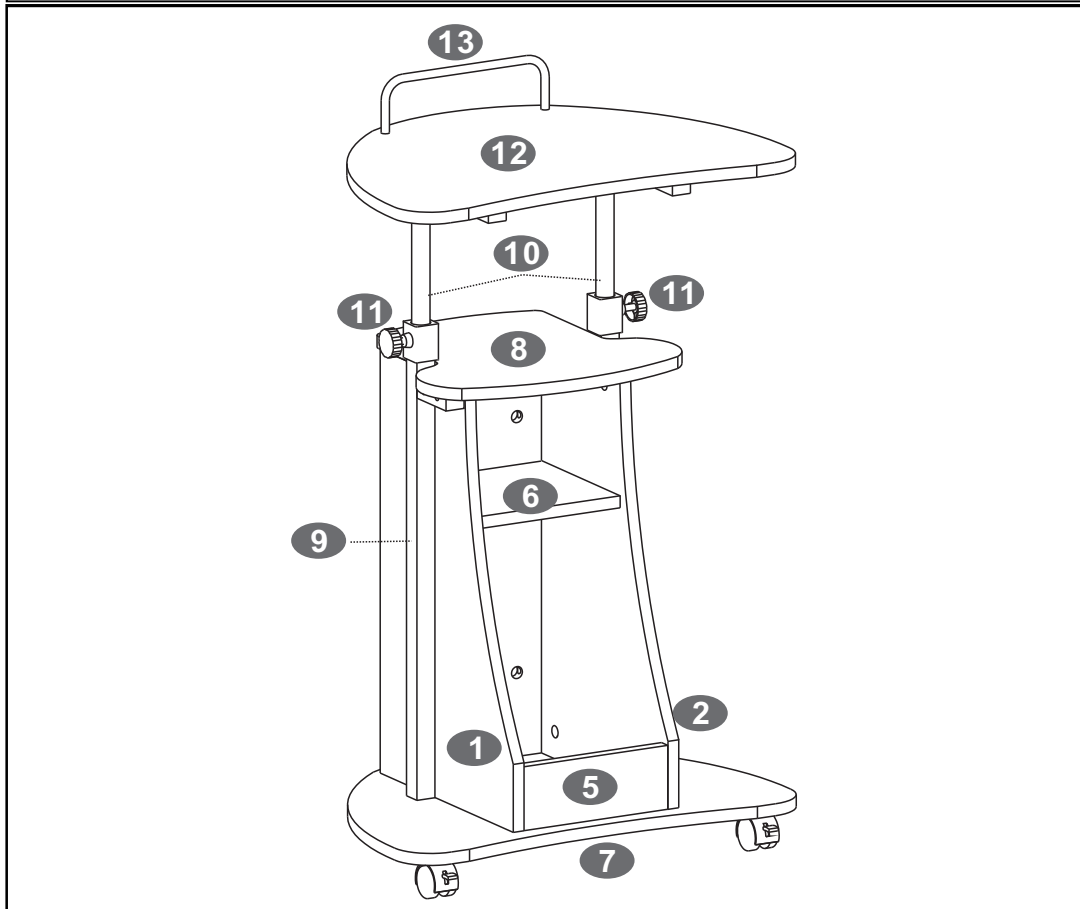
**MAIN PARTS LIST**

<b>#1</b> Left panel <b>x1</b> 	<b>#2</b> Right panel <b>x1</b> 	<b>#3</b> Casters <b>x4</b> 	<b>#4</b> Back panel <b>x1</b> 
<b>#5</b> Front panel <b>x1</b> 	<b>#6</b> Mid panel <b>x1</b> 	<b>#7</b> Bottom panel <b>x1</b> 	<b>#8</b> Top panel <b>x1</b> 
<b>#9</b> Lateral structure <b>x2</b> 	<b>#10</b> Top structure <b>x2</b> 	<b>#11</b> <b>11A:</b> Plastic cover <b>x2</b>   <b>11B:</b> Screw knob 	<b>#12</b> Main panel <b>x1</b> 
<b>#13</b> Protector tube <b>x1</b> 			

**SCREWS LIST:**

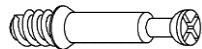
PART	QTY.	ITEM		PART	QTY.	ITEM	
<b>A</b>	16	4X14MM		<b>D</b>	22	6X40 MM	
<b>B</b>	2	6X25 MM			1		
<b>C</b>	10	6X35 MM					

**MAIN PARTS LAYOUT ( FOR REFERENCE ):**



☛ This unit uses cam bolts and locks. The following explains how to use them. This is not an assembly step; it is a guide for when you are actually doing the assembly using this kind of hardware.

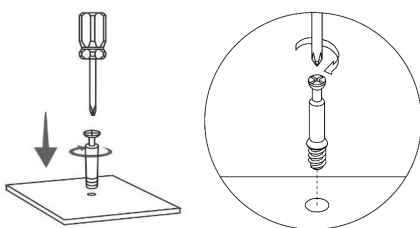
Cam Bolt



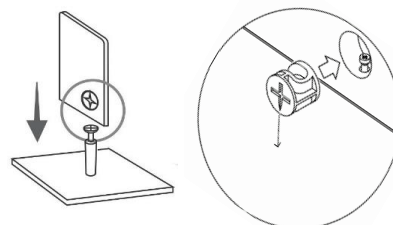
Cam Lock



1. Screw the bolt into the corresponding panel.

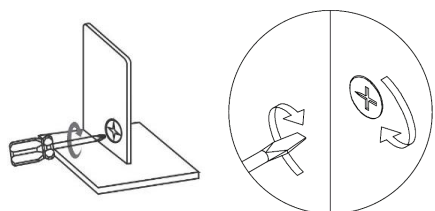


2. In the other panel, insert the cam lock and align it so it can properly receive the bolt, then join both panels ( the cam locks might come pre-installed in this unit ).



ALIGNMENT DIRECTION

3. The panels might have a very small gap which is normal; turn the cam lock clockwise to lock the parts together and the gap will also close.

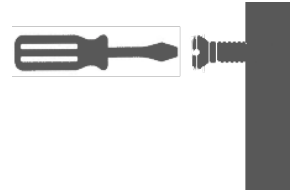


**BEFORE YOU START THE ASSEMBLY, PLEASE READ THE FOLLOWING TIPS AND WARNINGS.**

**1** Do a quick inventory to make sure the package contains all the parts and hardware listed in the assembly instructions.



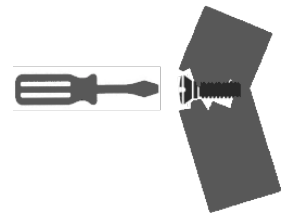
**7** To avoid misalignments, always leave the screws loose and tighten them until all pieces are positioned correctly.



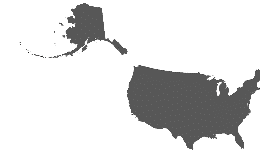
**2** Missing, damaged and defective parts can be replaced at no cost to you. Please refer to the CONTACT card included with the product.



**8** Do not overtighten or force the screws as they might break, strip, damage the threads of the holes or get stuck inside the part.



**3** The replacement parts service is limited to the continental United States. If you reside in Hawaii, Puerto Rico, U.S. Dependencies or other countries, please contact the supplier from where the unit was purchased.



**9** Sometimes the laminate might cover partially or entirely the hole on a panel. If there is no visible hole for the screw, pass and press the tip of your finger over the area where the hole should be located to feel the indentation, and once found, carefully pierce the laminate to reveal the hole underneath.



**4** If during assembly you find an issue or need clarification, please contact our Customer Service for assistance. Please refer to the CONTACT card included with the product.



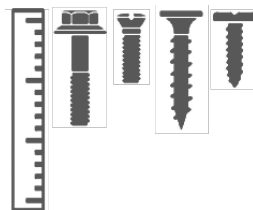
**5** On each step read the instructions and analyze the illustrations thoroughly before proceeding to do the assembly.



**10** If the hole seems too small for the screw, first make sure you are using the correct size of screw and that it's been installed in the correct hole. If the hole still appears to be too small, carefully pierce the laminate to reveal the hole's actual size.



**6** Make sure you understand which hardware will be used on each step. Using the wrong size of screw, bolt or pin might strip the threads or cause damage to the part in which it is being used.



ASSEMBLY STEPS

STEP 1

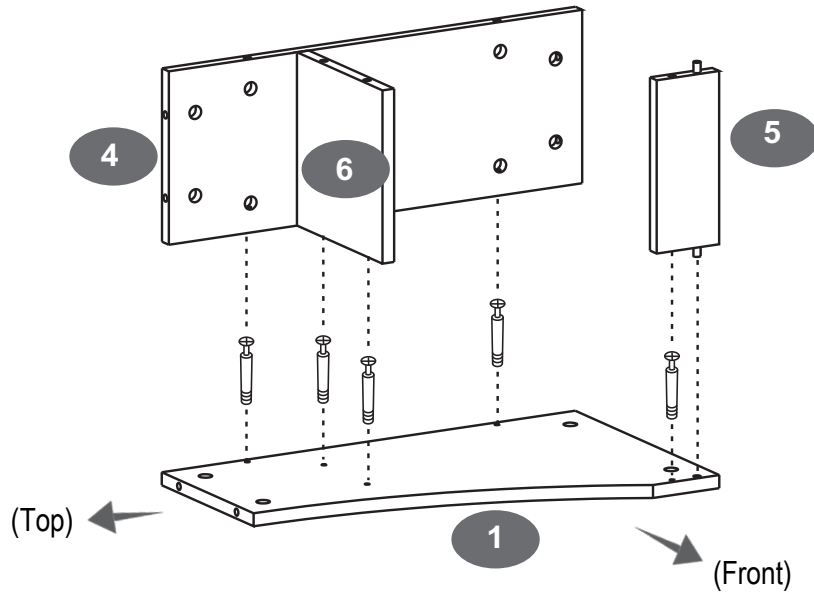
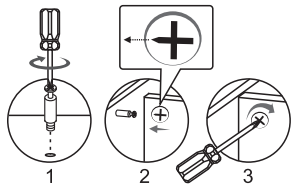
First screw bolts ( D ) into panel ( 1 ), then place down the Back panel ( 4 ), the Front panel ( 5 ) and the Mid Panel ( 6 ), and assemble them by turning the cam locks on those panels as shown and as explained in page 3.

Item:

D 6x40mm x5



Scan QR Code to view this step



STEP 2

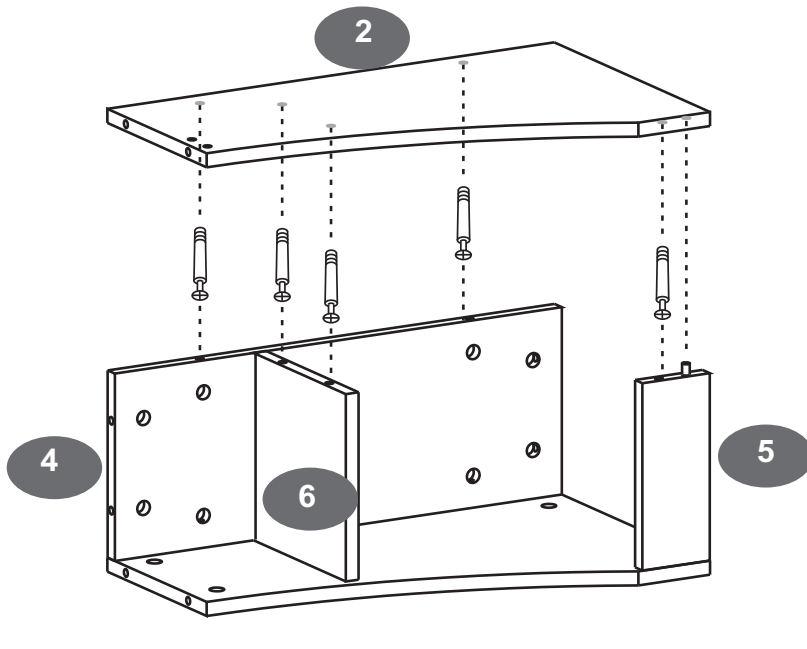
First screw bolts ( D ) into panel ( 2 ), then assemble the panel to panels ( 4 ), ( 5 ) and ( 6 ) by turning the cam locks on those panels as shown and as explained in page 3.

Item:

D 6x40mm x5



Scan QR Code to view this step



**STEP 3**

Use screws ( A ) to assemble the casters ( 3 ) to the bottom surface of the bottom panel ( 7 ).

Please note that the LOCKING casters go at the FRONT.

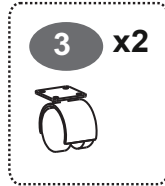
Item:

**A** 4x14mm x16

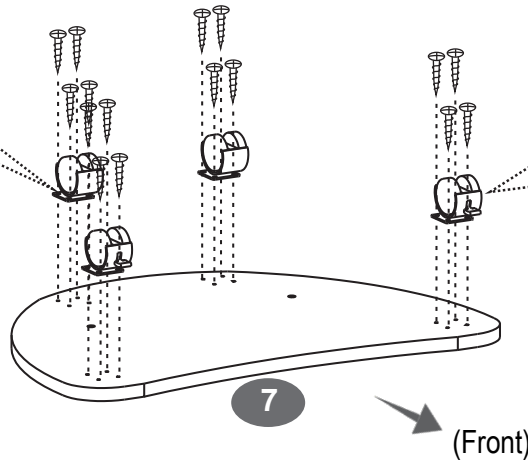
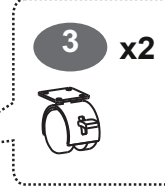


Scan QR Code to view this step

**NON-LOCKING**  
go at the back



**LOCKING**  
go at the front



**STEP 4**

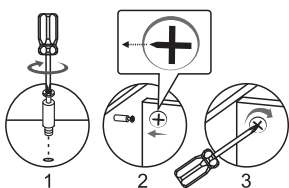
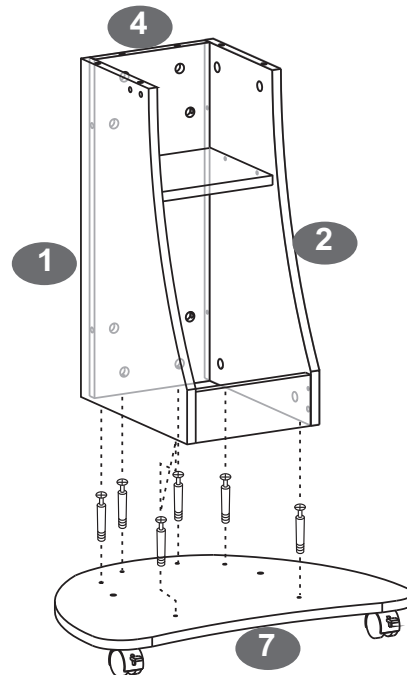
First screw Bolts ( D ) to the top surface of the Bottom panel ( 7 ), then place down and assemble the semi structure built in step 2 by turning the cam locks on panels ( 1 ), ( 2 ) and ( 4 ) as shown and as explained in page 3.

Item:

**D** 6x40mm x6



Scan QR Code to view this step



**STEP 5**

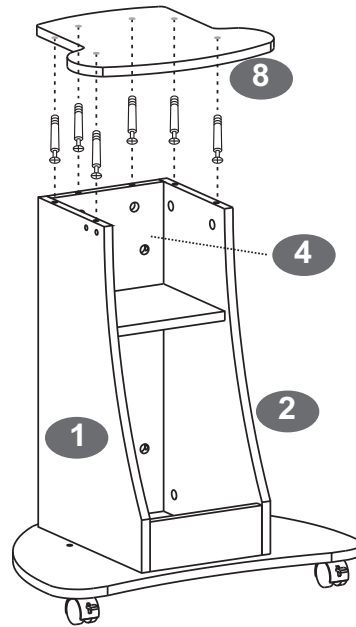
First screw the Bolts ( D ) to the Top Panel ( 8 ), then place it down and assemble it to the structure by turning the cam locks on panel ( 1 ), ( 2 ) and ( 4 ) as shown and as explained in page 3.

Item:

**D** 6x40mm x6



Scan QR Code to view this step



**STEP 6**

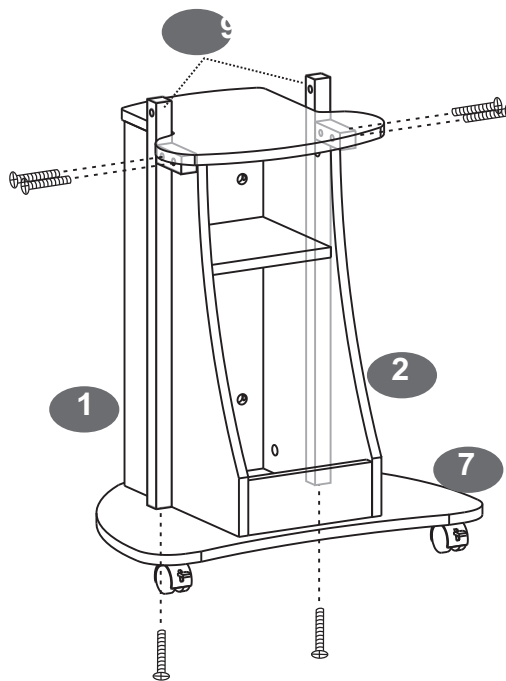
Use screws ( C ) to fix the Lateral structure ( 9 ) to left and right panels ( 1 - 2 ) and to the bottom panel ( 7 ).

Item:

**C** 6x35mm x6



Scan QR Code to view this step



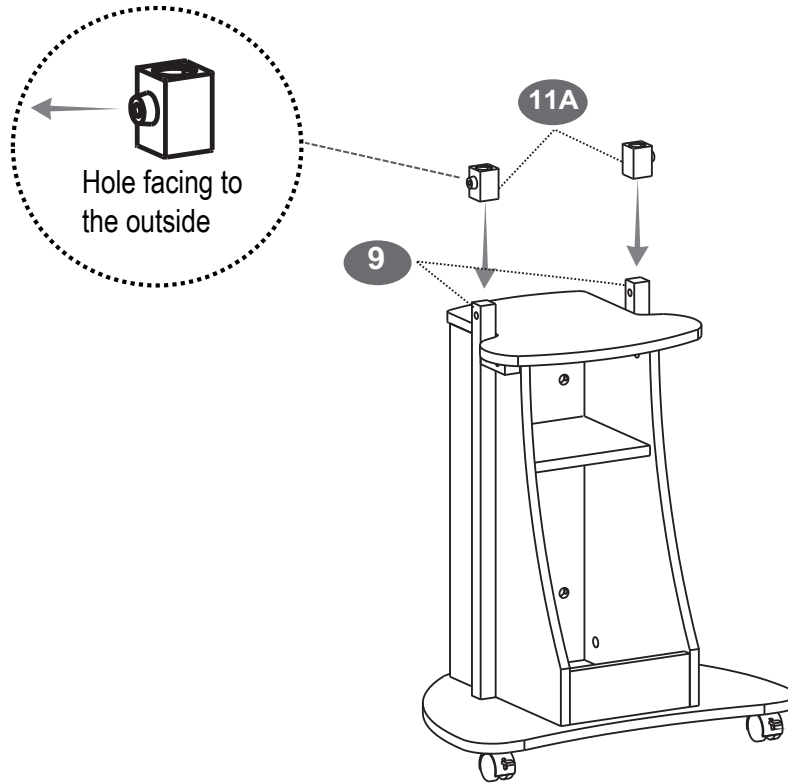


**STEP 7**

Place the Plastic Covers ( 11A ) over the Lateral Structure Tubes ( 9 ) with their holes facing towards the outside.



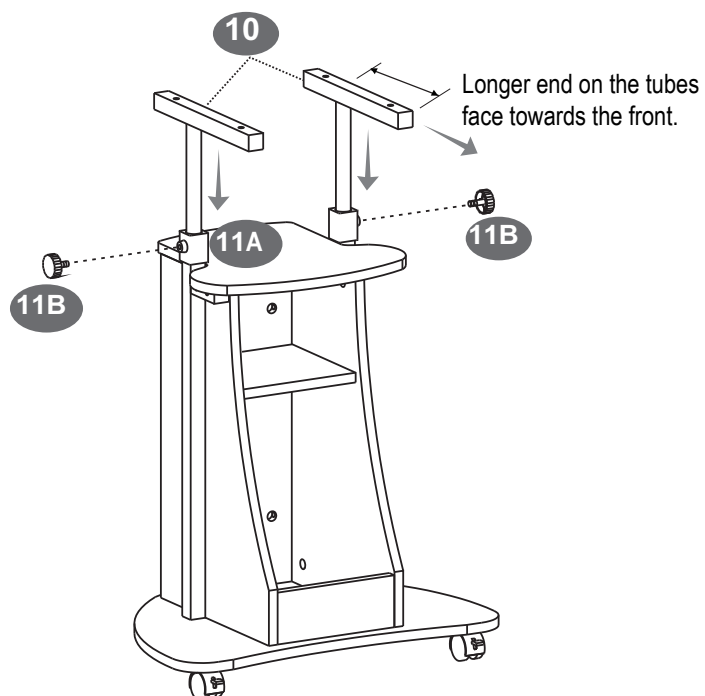
Scan QR Code to view this step

**STEP 8**

Insert the Top Structure Tubes ( 10 ) through the Plastic Covers ( 11A ), then screw in the the Knobs ( 11B ) into the Plastic Cover ( 11A ). Make sure to raise and set the tubes a little bit higher and at the same level for easy accessibility during the next step.



Scan QR Code to view this step



**STEP 9**

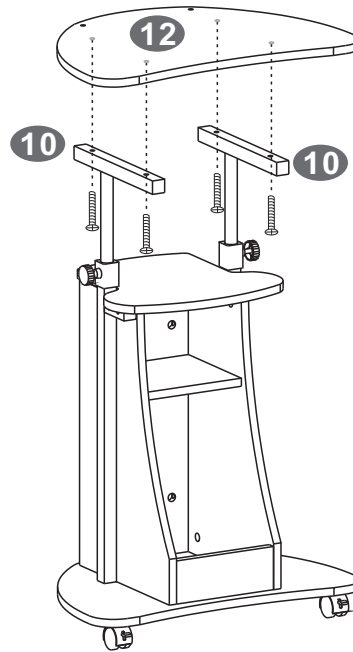
Use Screws ( C ) to assemble the Main panel ( 12 ) to the Top structures ( 10 ) from underneath.

Item:

<b>C</b>	6x35mm 	x4
----------	---	----



Scan QR Code to view this step



**STEP 10**

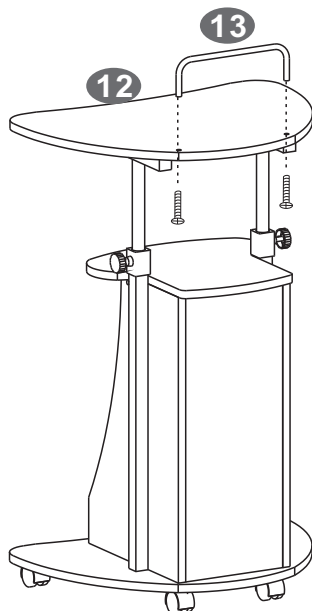
Use Screws ( B ) to fix the Protector Tube ( 13 ) to the Main Panel ( 12 ) from underneath.

Screws:

<b>B</b>	6x25mm 	x2
----------	---	----



Scan QR Code to view this step

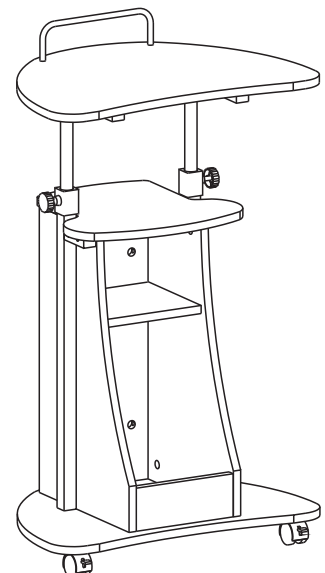


**STEP 11**

Tighten all screws well. You can adjust the height of the main panel with the screw knobs.

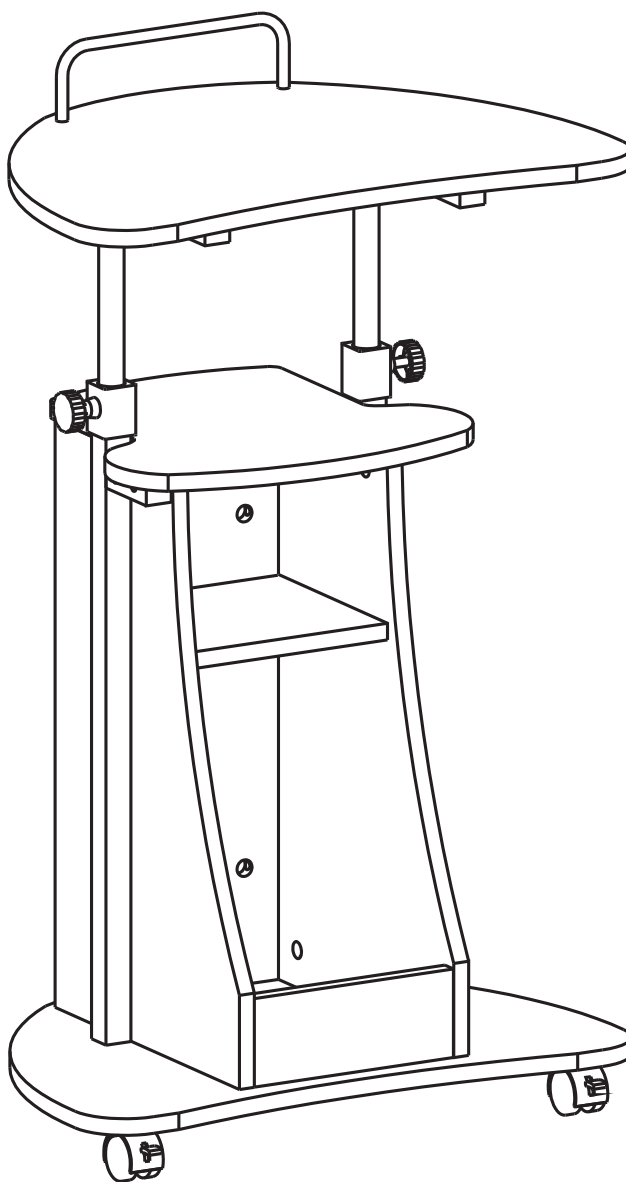


Scan QR Code to view this step



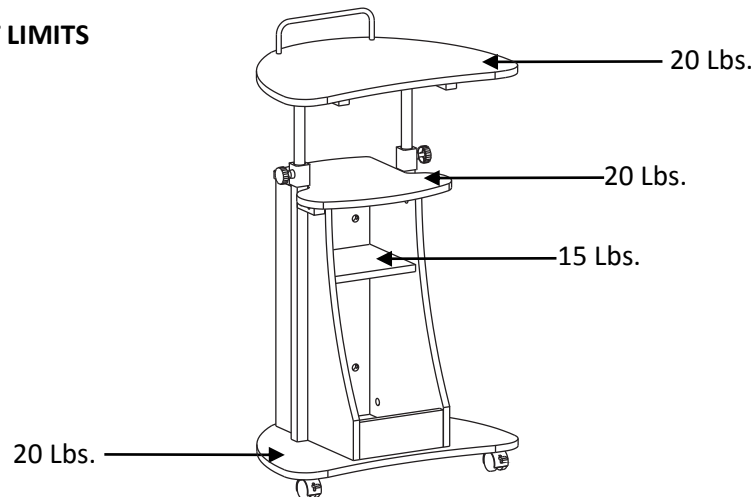
**FINAL STEP****ALL DONE!**

Give yourself a nice pat on the back. You did a great job!



**AFTER THE ASSEMBLY IS DONE, PLEASE READ CAREFULLY THE FOLLOWING WARNINGS FOR CARE AND MAINTENANCE:**

**WEIGHT LIMITS**



- Do not exceed the indicated weight limits.
- Do not expose the surfaces to direct sunlight or to extreme environmental conditions.
- Clean the surfaces preferable with a clean cloth damped in a solution of mild soap and water, then dry with a clean towel.
- Do not use solvents or abrasive materials to clean the unit.
- Do not seat on the unit or lean against it.
- Do not allow small children to play, climb, or adjust the height of the unit.
- Use caution when adjusting the height if there are objects or devices on the top that might roll or fall down.
- Use caution when lowering down the top if there are objects or devices beneath.
- Before moving the unit, make sure to unlock the locking casters on the front of the unit.
- Before moving the unit, make sure to secure or remove any objects that might fall off.
- When transporting the unit to places far away, protect and secure the unit to avoid damage in transit.
- Shall any part of the unit become defective during the warranty period, replacement parts might be available to you at no charge. Please refer to the WARRANTY card included with the product.
- The warranty does not extend to regular wear and tear, nor the manufacturer assumes liability for damages or consequences due to accidents, incorrect assembly, negligence, improper use, modifications, or not heeding the above warnings.
- The warranty is limited to the continental United States. If you reside in Hawaii, Puerto Rico, U.S. Dependencies or other countries, please contact the supplier from where the unit was purchased.