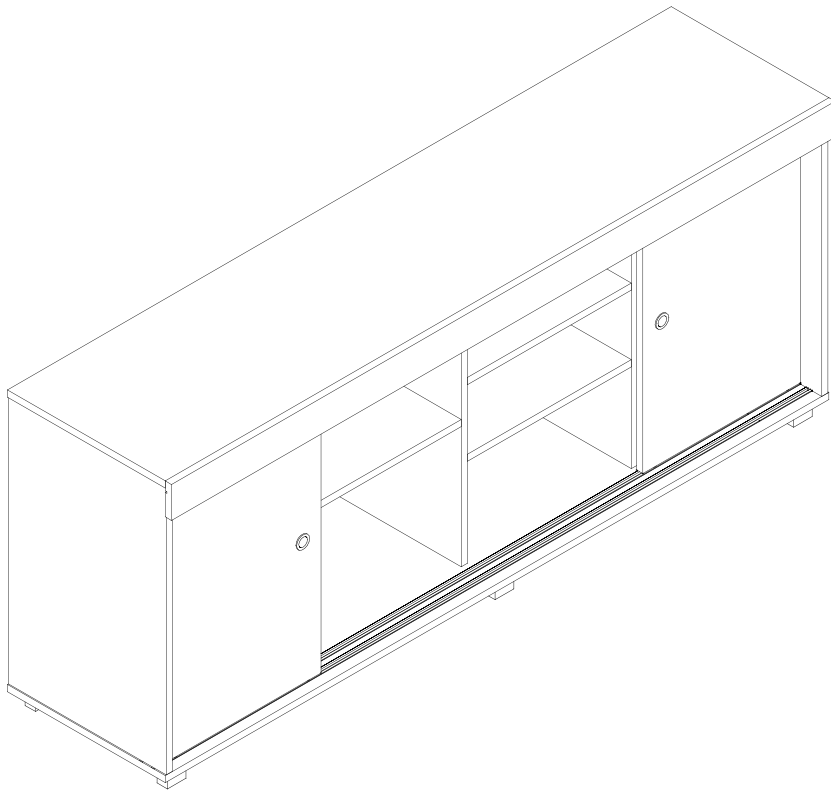


# MODEL RTA-9500TV

## ASSEMBLY INSTRUCTIONS

Thank you for purchasing our product.





- Please read carefully the assembly instructions before the installation.



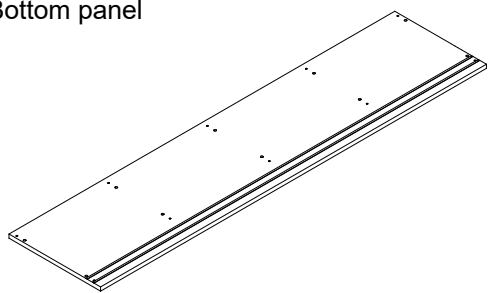
- Do not discard this manual or any of the packaging material until the unit has been completely assembled.



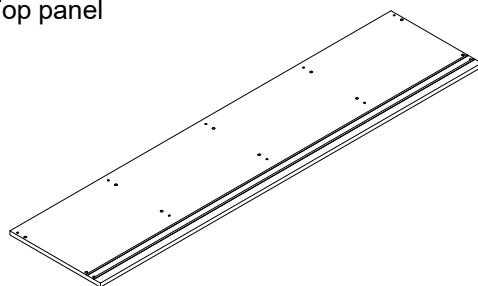
- Might require two people.

## MAIN PARTS LIST

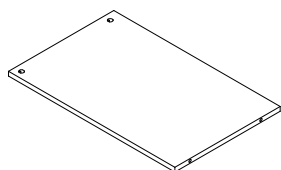
1 Bottom panel  
x1



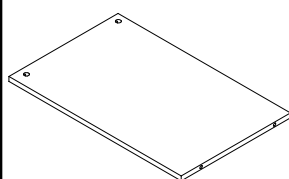
2 Top panel  
x1



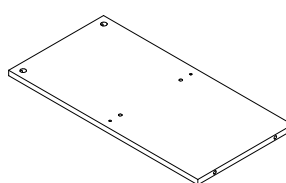
3 Left panel  
x1



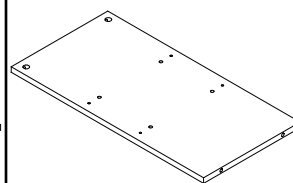
4 Right panel  
x1



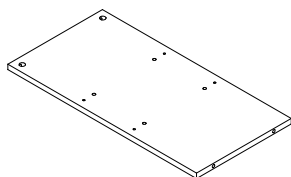
5 Middle-Left panel  
x1



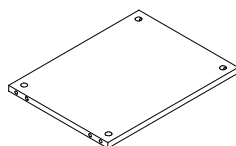
6 Middle-Right panel  
x1



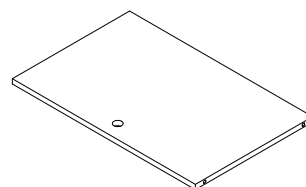
7 Middle panel  
x1



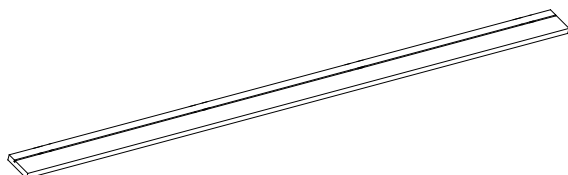
8 Shelves  
x3



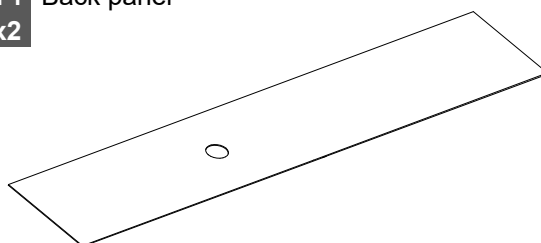
9 Sliding door  
x2



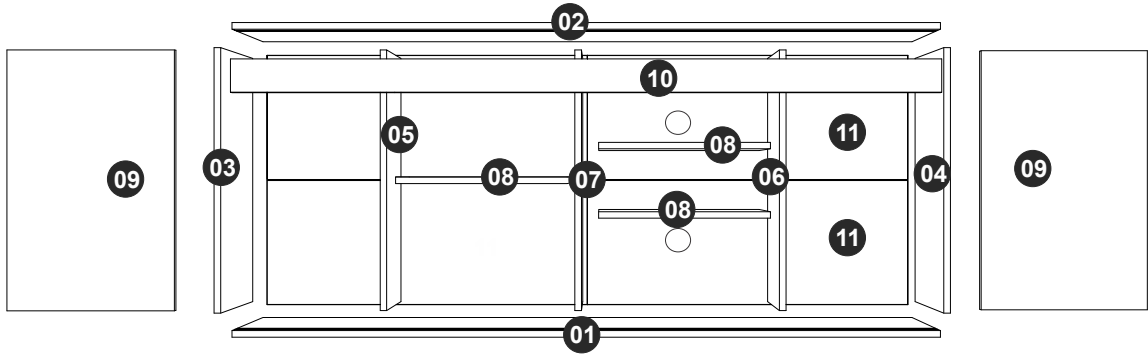
10 Top front panel  
x1



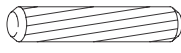


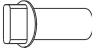


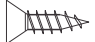
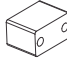




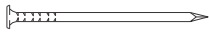

11 Back panel  
x2



**MAIN PARTS LAYOUT (FOR REFERENCE):**



**LIST OF HARDWARE, SCREWS AND FITTINGS**

PART	QTY	ITEM		PART	QTY	ITEM	
A	32	M8x30 Dowels		H	4	Bracket	
B	22	Bolts		I	8	Plastic pin	
C	22	Cam locks		J	22	Covers	
D	8	ST3.5x14		K	6	Feet	
E	10	ST4x50		L	4	Sliding tracks	
F	12	ST3.5x25		M	2	Grommet (Handle)	
G	80	Nails			1	Touch-up chalk	

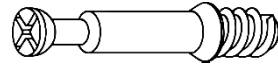
**NOTE: You will need for the assembly a Phillips screwdriver and mallet/hammer (not included).**

☛ This unit uses cam bolts and locks. The following explains how to use them. This is not an assembly step; it is a guide for when you are actually doing the assembly using this kind of hardware.

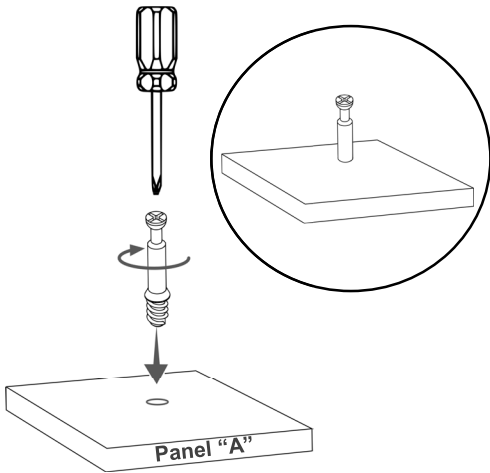
Cam Lock



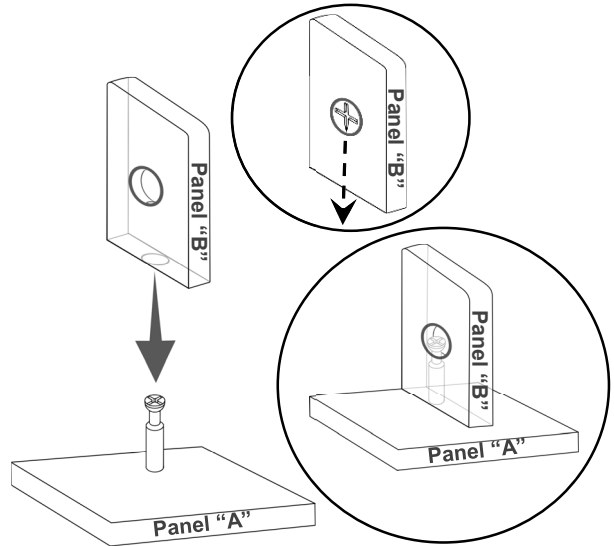
Cam Bolt



1. Screw the bolt into the corresponding hole on panel "A".

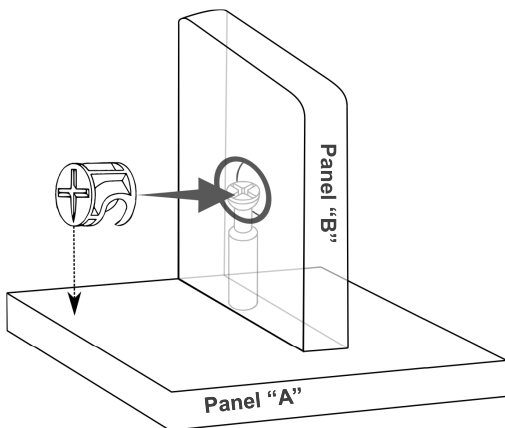


2. Join panel "B" to panel "A". If panel "B" comes with the cam lock pre-installed, make sure it is aligned to receive the bolt's head (refer to point 3). There might be a very small gap between the panels which is normal.

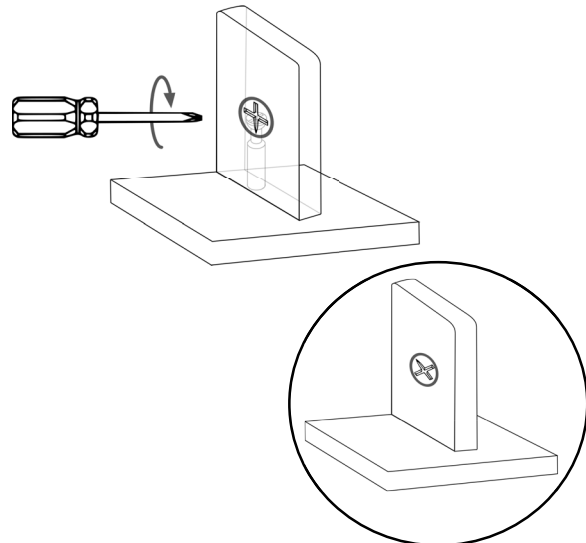


3. Insert the cam lock on panel "B" making sure it goes aligned to receive the bolt's head.

**Alignment:** The cross points towards the panel "A" with the bolt.



4. Turn the cam lock clockwise. This will lock the parts together and will close any gaps.

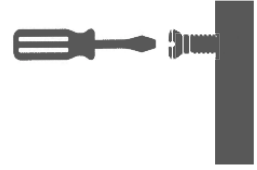


**BEFORE YOU START THE ASSEMBLY, PLEASE READ THE FOLLOWING TIPS AND WARNINGS.**

**1** Do a quick inventory to make sure the package contains all the parts and hardware listed in the assembly instructions.



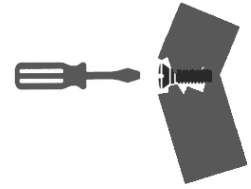
**7** To avoid misalignments, always leave the screws loose and tighten them until all pieces are positioned correctly.



**2** Missing, damaged and defective parts can be replaced at no cost to you. Please refer to the last pages on this manual.



**8** Do not overtighten or force the screws as they might break, strip, damage the threads of the holes or get stuck inside the part.



**3** The replacement parts service is limited to the 48 contiguous United States. If you reside in Alaska, Hawaii, Puerto Rico, U.S. territories or other countries, please contact the supplier from where the unit was purchased.



**9** Sometimes the laminate might cover partially or entirely the hole on a panel. If there is no visible hole for the screw, pass and press the tip of your finger over the area where the hole should be located to feel the indentation, and once found, carefully pierce the laminate to reveal the hole underneath.



**4** If during assembly you find an issue or need clarification, please contact our Customer Service for assistance. Please refer to the last pages on this manual.



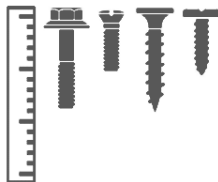
**5** On each step read the instructions and analyze the illustrations thoroughly before proceeding to do the assembly.



**10** If the hole seems too small for the screw, first make sure you are using the correct size of screw and that it's been installed in the correct hole. If the hole still appears to be too small, carefully pierce the laminate to reveal the hole's actual size.



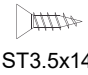


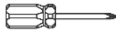
**6** Make sure you understand which hardware will be used on each step. Using the wrong size of screw, bolt or pin might strip the threads or cause damage to the part in which it is being used.



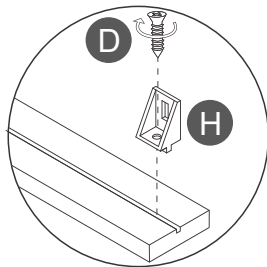
**ASSEMBLY STEPS** (Note: the unit will start assembling with its front facing down)

**STEP 1**

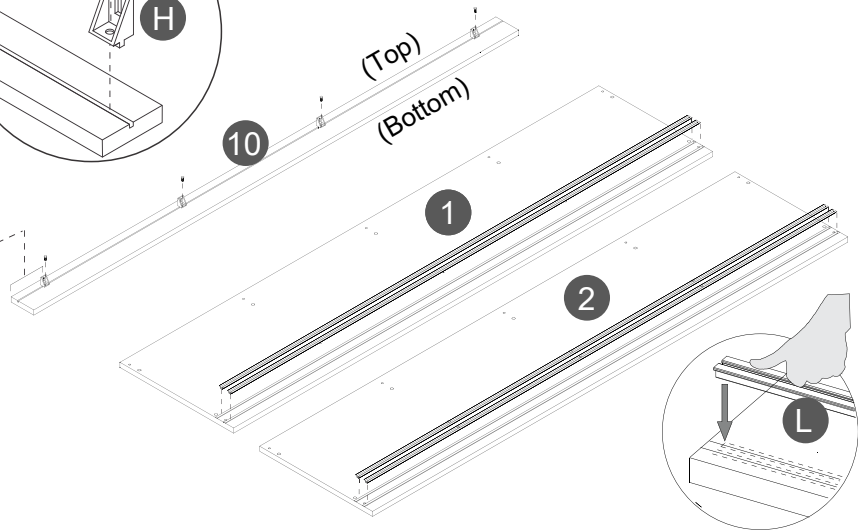
**Hardware:**

<b>D</b>		4 Pcs
<b>H</b>		4 Pcs
<b>L</b>		4 Pcs
 (NOT INCLUDED)		

- Install brackets **H** into the groove of panel **10** with screws **D**. If there are no pre-drilled holes or markings, just calculate a good distance between them, but you must leave at least 1" space from each end.
- Install the sliding tracks **L** on the bottom panel **1** and the Top panel **2**.

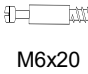



Leave at least 1" space at each end

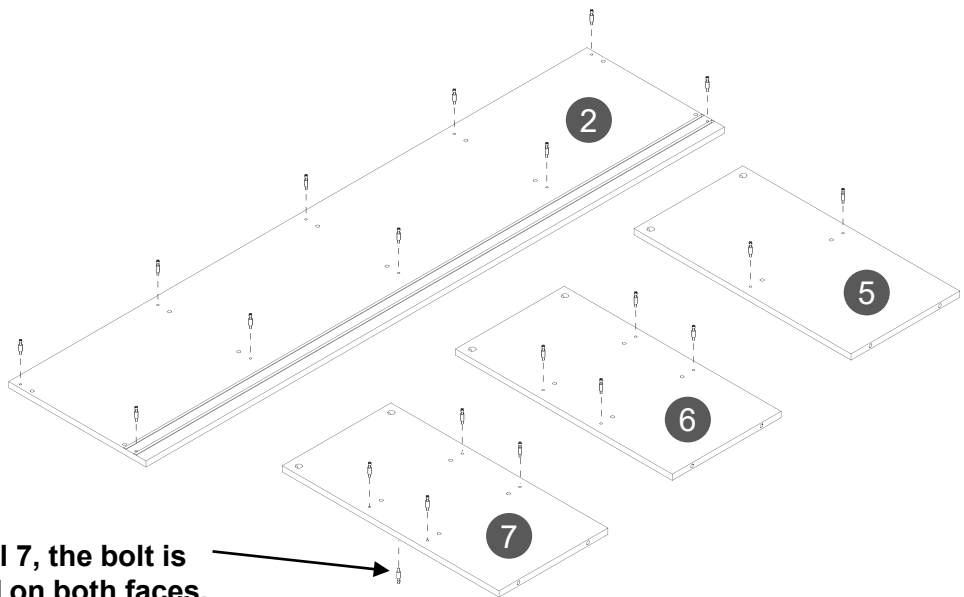


**STEP 2**

**Hardware:**

<b>B</b>		22 Pcs
 (NOT INCLUDED)		

- Install bolts **B** in the indicated holes on the faces of panels **2, 5, 6 & 7**.
- Note 1: Other holes are intended for other kind of hardware.
- Note 2: On panel **7**, the bolt is installed on both faces.

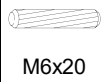


On panel 7, the bolt is installed on both faces.

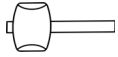
**STEP 3**

**Hardware:**

**A**

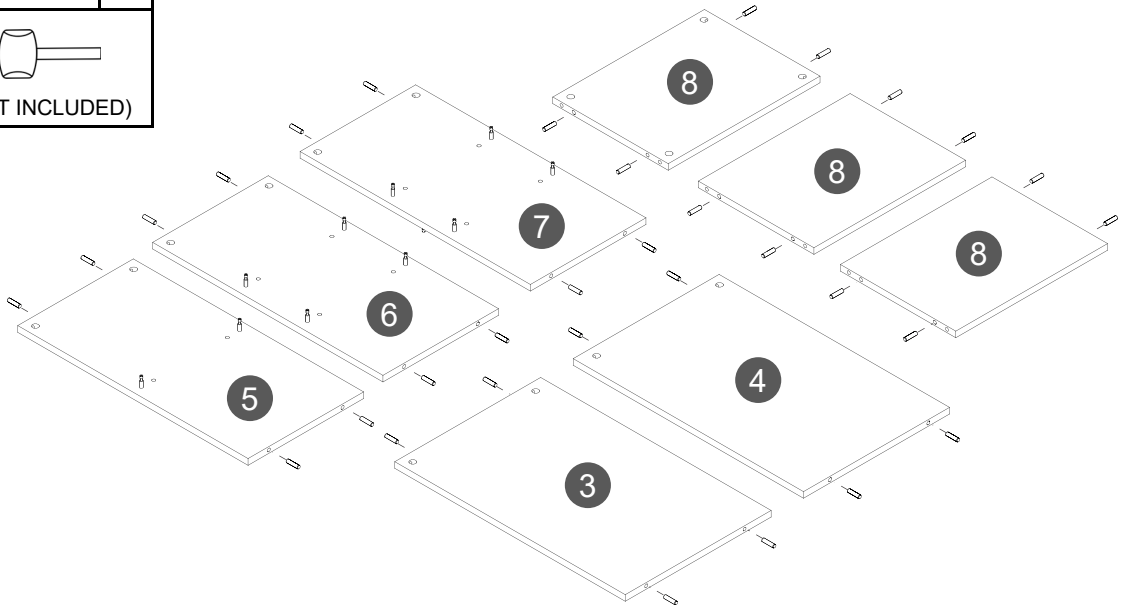


32 Pcs



(NOT INCLUDED)

Install the wooden dowels **A** into the indicated holes on the profiles of panels **3, 4, 5, 6, 7** and **8**.



**STEP 4**

**Hardware:**

**C**



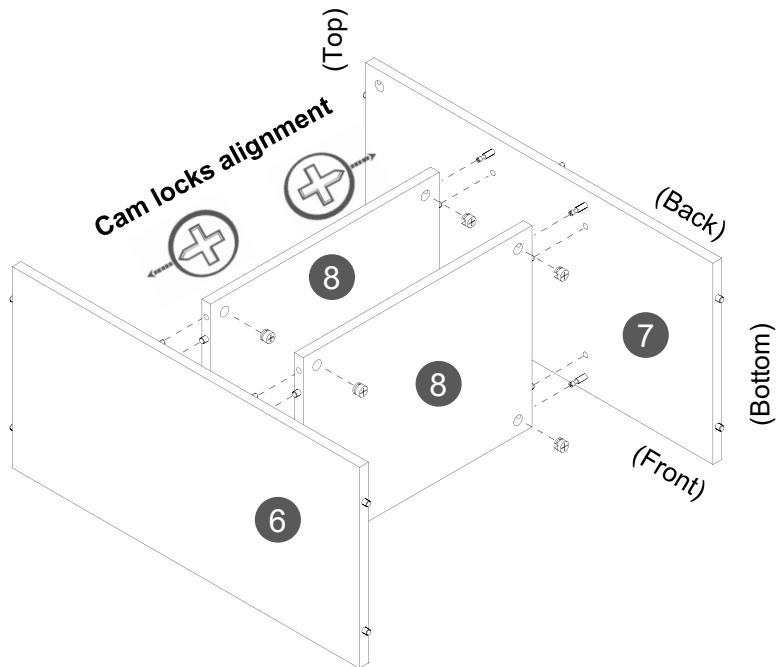
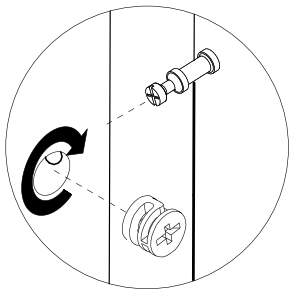
8 Pcs



(NOT INCLUDED)

- Join the panels **6** and **7** to two of the panels **8**, then install the cam locks **C** and turn them to locks the pieces as explained in page 4.
- Note: The panels **8** must have their smooth faces towards the **TOP**.

Please refer to page 4





**STEP 5**

**Hardware:**

**C**



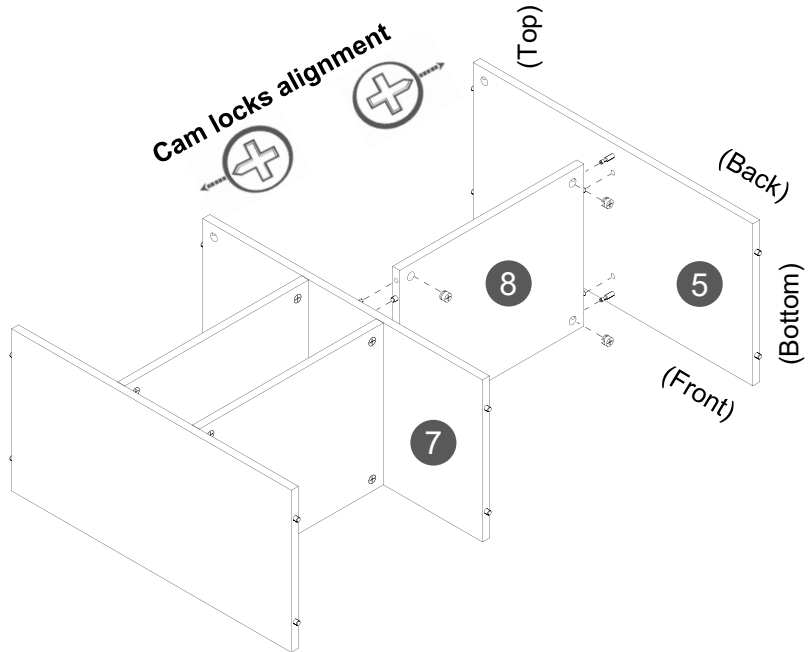
Cam lock

4 Pcs



(NOT INCLUDED)

- Join the panels **5** and **7** to the third panel **8**, then install the cam locks **C** and turn them to lock the pieces as explained in page **4**.
- Note: The panel **8** must have its smooth face towards the **TOP**.



**STEP 6**

**Hardware:**

**C**



Cam lock

6 Pcs

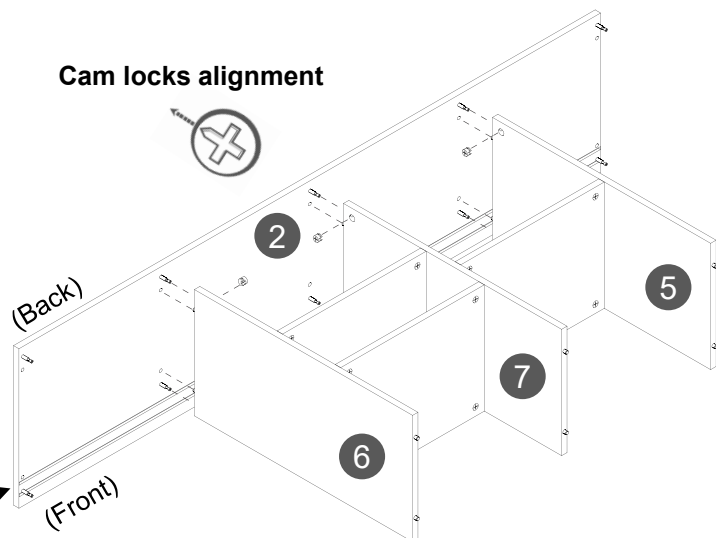


(NOT INCLUDED)



- With the help of another person, join the top panel **2** to panels **5**, **6** and **7**, then install the cam locks **C** and turn them to lock the pieces as explained in page **4**.

**Cam locks alignment**



The grooves on 2 go facing **DOWN** towards the **FRONT** of the unit

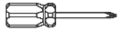
## STEP 7

## Hardware:

C



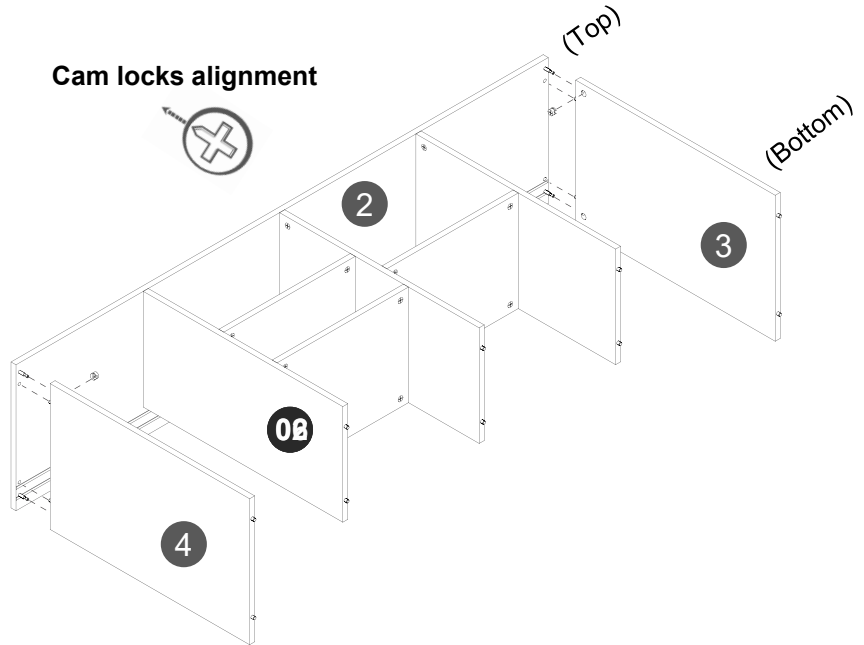
Cam lock

4  
Pcs

(NOT INCLUDED)

Join panels **3** and **4** to panel **2**, then install the cam locks **C** and turn them to lock the pieces as explained in page 4.

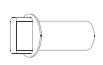
## Cam locks alignment



## STEP 8

## Hardware:

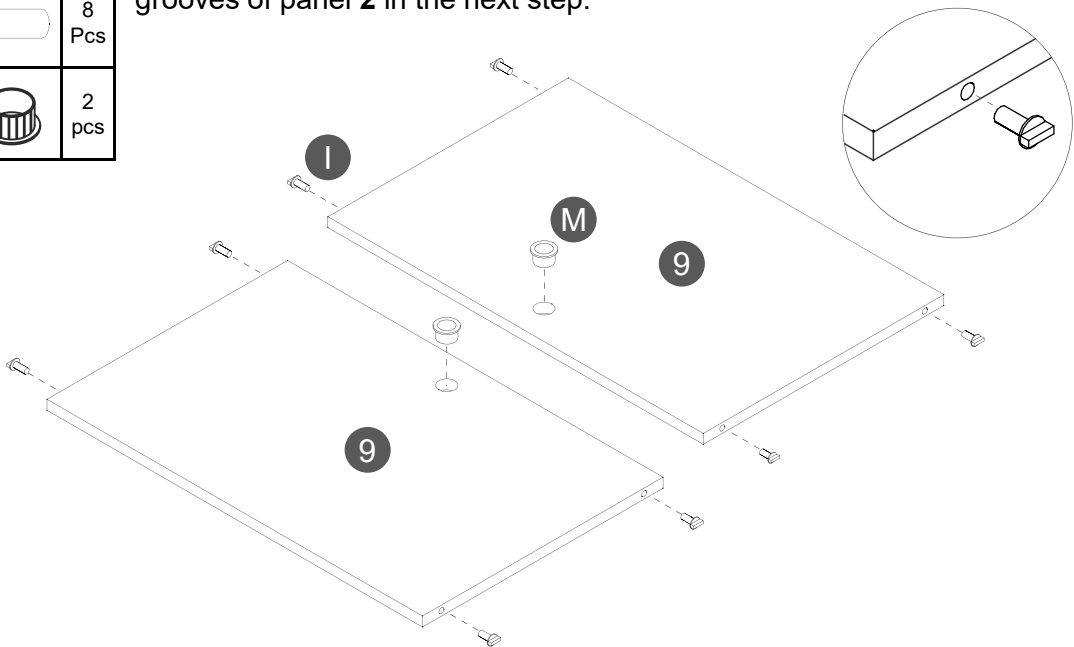
I

8  
Pcs

M

2  
pcs

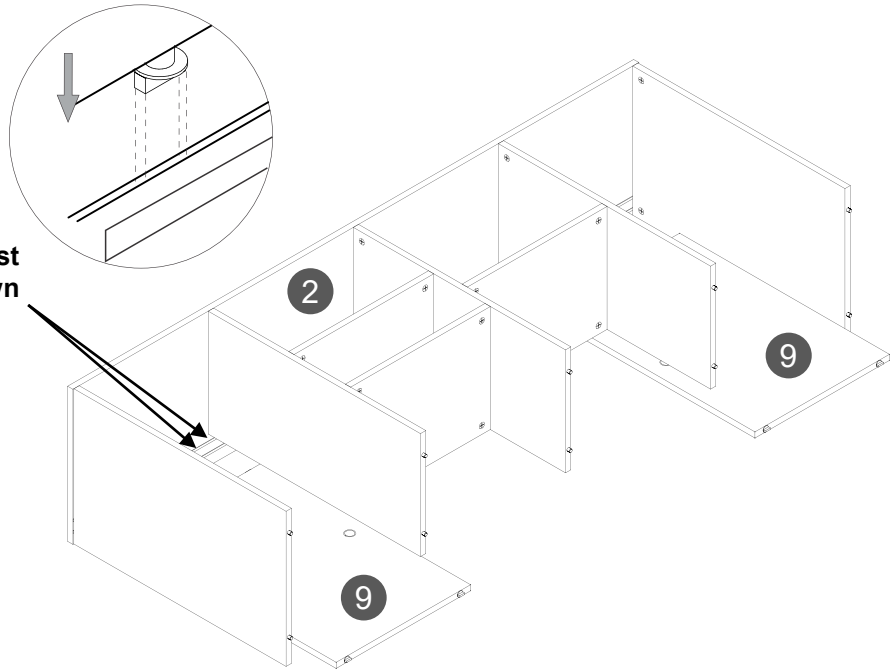
Install the plastic pins **I** and the grommets **M** into the doors **9**. Please note the orientation of the pins, as they will enter and glide into the grooves of panel **2** in the next step.



**STEP 9**

Join the doors **9** to panel **2** making sure that their plastic pins enter in the grooves, and that each door will go in its own groove.

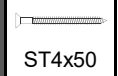
Each door must glide on its own groove.



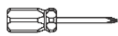
**STEP 10**

**Hardware:**

**E**



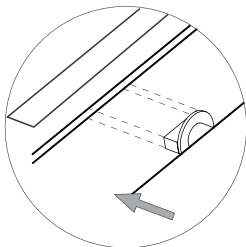
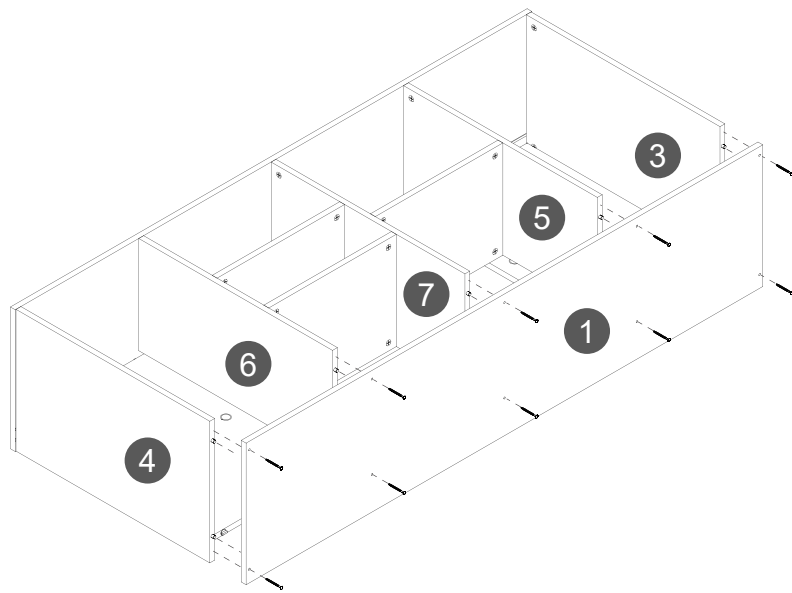
10  
Pcs



(NOT INCLUDED)


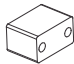


With the help of another person, assemble the bottom panel **1** to panels **3, 4, 5, 6** and **7** with screws **E**, but make sure that the plastic pins from the doors enter in the correct and corresponding tracks. Each door should slide on its own track.



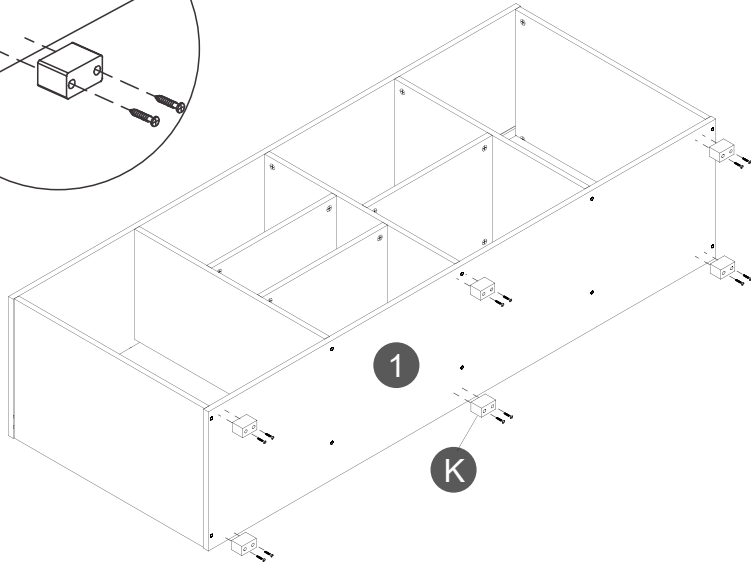
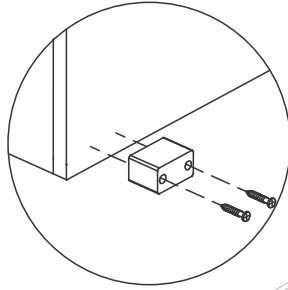
## STEP 11

## Hardware:

F		12
	ST3.5x25	Pcs
K		6
		Pcs

  
(NOT INCLUDED)

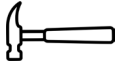
Install the feet **K** to the bottom panel **1** with screws **F**.



## STEP 12

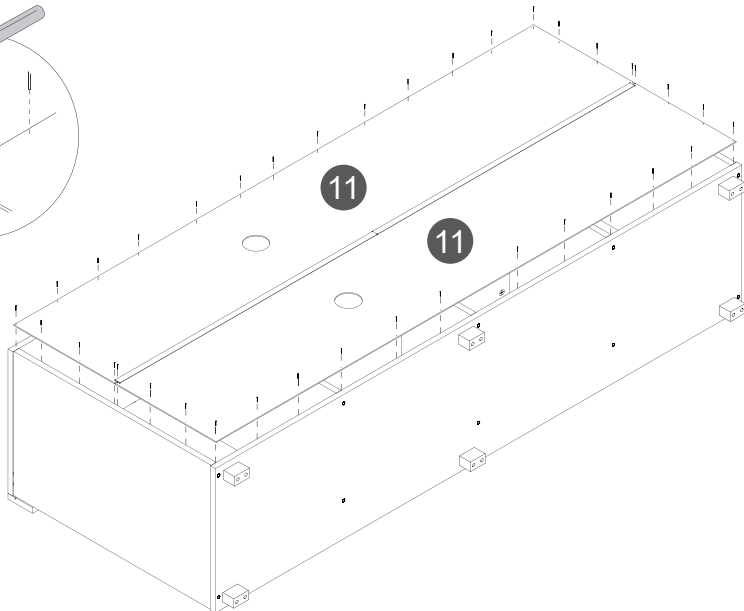
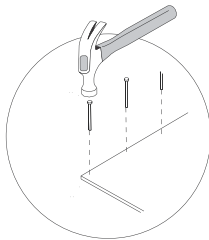
## Hardware:

G		24+
	Nails	Pcs

  
(NOT INCLUDED)



With the help of another person, place the back panels **11** over the unit, calculating that they go as aligned and centered as possible, and secure them with nails **G**. It is recommended to secure the corners first, then all around. Try to nail as straight as possible to avoid the nails going slanted and split or break the panels.



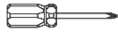
## STEP 13

## Hardware:

D



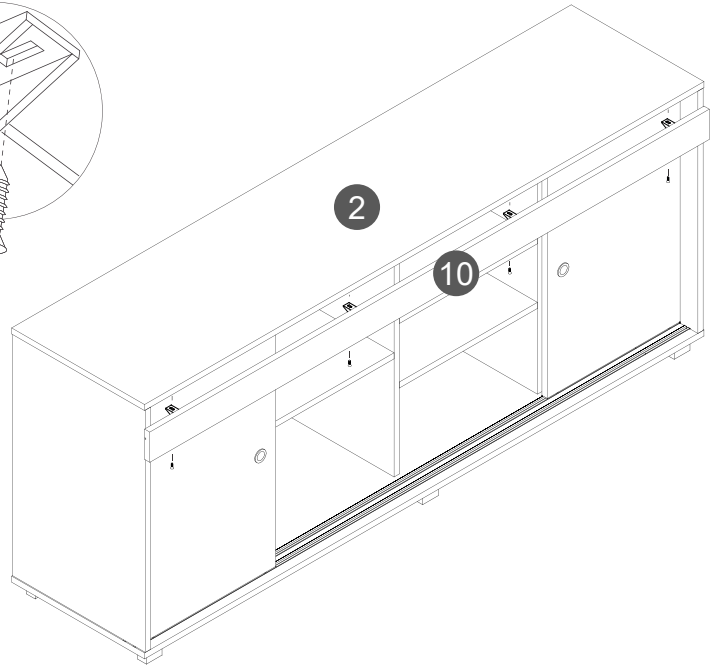
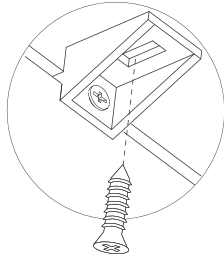
ST3.5x14

4  
Pcs

(NOT INCLUDED)



- With the help of another person, bring the unit upright.
- With the help of another person, assemble the top front panel **10** to the top panel **2** by securing the brackets underneath with screws **D**.



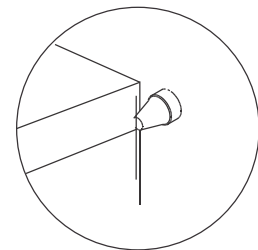
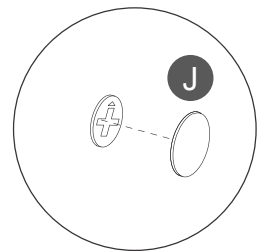
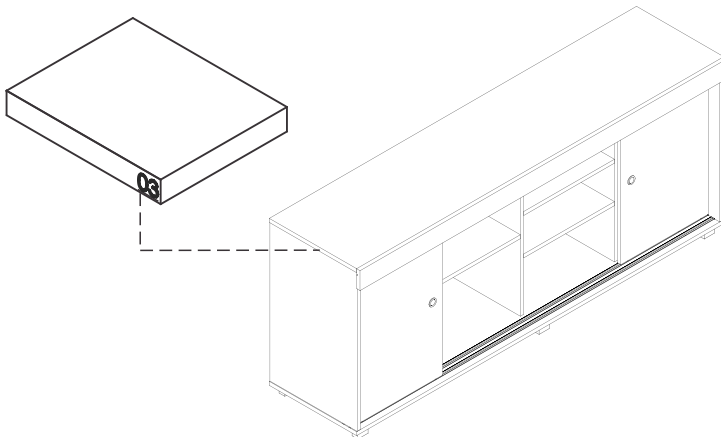
## STEP 14

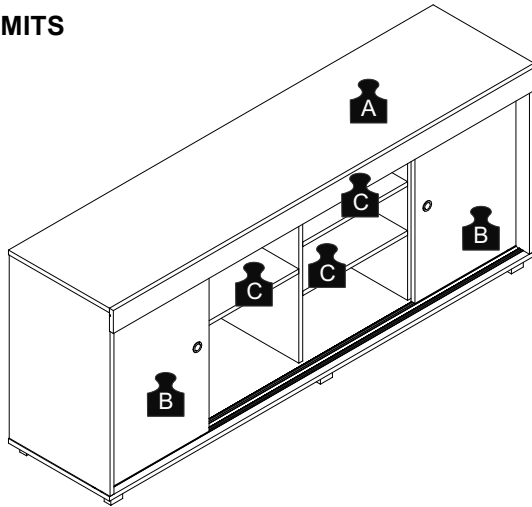
## Hardware:

J

22  
Pcs

- You can remove the number stickers from the panels using rubbing alcohol.
- Cover the cam locks with J.
- If necessary, use the touch-up chalk to cover any light imperfections on the finish.



**CARE, MAINTENANCE AND SAFETY WARNINGS:****WEIGHT LIMITS**

**A** = 21 KG - 46.29LB

**B** = 5 KG - 11.02LB

**C** = 4 KG - 8.81LB

- Do not exceed the indicated weight limits.
- Do not expose the surfaces to direct sunlight or to extreme environmental conditions.
- Clean the surfaces preferable with a clean cloth damped in a solution of mild soap and water, then dry with a clean towel.
- Do not use solvents or abrasive materials to clean the unit.
- If you decide to use a cleaning agent, test first on an area hidden from view such as underneath the tabletop.
- Do not sit on the unit or lean against it.
- Do not allow small children to climb on the unit to reach the TV set.
- Do not allow small children to reach inside the compartments without your supervision.
- Always be careful and keep your hands and fingers clear of the sliding doors.
- Do not pull, push or drag the unit to move it for more than 1 feet. The unit must be lifted by at least 2 persons when moving in the same or adjacent rooms.
- Before moving the unit, remove your TV set and also remove or secure any other objects that are heavy or might fall off.
- When lifting the unit, use both hands and bend your knees, not your backs.
- When transporting the unit to places far away, protect and secure the unit to avoid damage in transit.
- Shall any part of the unit become defective during the warranty period, replacement parts might be available to you at no charge. Please refer to the last pages on this manual.
- The warranty does not extend to regular wear and tear, nor the manufacturer assumes liability for damages or consequences due to accidents, incorrect assembly, negligence, improper use, modifications, or not heeding the above warnings.

**TECHNI MOBILI WARRANTY**  
**DESKS/LAPTOP CARTS/FILE CABINETS: LIMITED 5-YEAR WARRANTY**  
**TV Stand/Entertainment Center: 2 YEAR WARRANTY**

RTA Products, LLC warrants to the Original Purchaser who acquired a new product from RTA Products or its authorized resellers that this product will be free from defects in its workmanship and materials, under normal use and service conditions, as described herein. "Defects" as used in this warranty, is defined as any imperfections that impair the use of the furniture or product. RTA Products LLC will replace any defective part, at its discretion, and without charge to the original purchaser other than the freight from the end consumer to RTA Products.

Replacement parts can only be supplied if parts are available. Items out of production may be unavailable. This warranty will be effective for the applicable time period beginning the date of purchase on your original sales receipt. RTA product's obligation under this warranty is limited to repairing or replacing products or parts as provided herein. This product has been designed for and is intended for office and home-office use only. This warranty is Original Purchaser's sole remedy for product defects, and this warranty does not extend to any product, or damage to any product, caused by or attributed to abuse or misuse, products used for commercial or rental purposes, use modifications of, or attachments to the product, and products or parts not used, maintained, or extended hereunder is in lieu of any and all other warranties, express or implied, including without limitations any implied warranty or merchantability or of fitness for a particular purpose. Please note, all desks made with PVC Laminate surface should not be exposed to direct sunlight, as it may damage the material. Damage of this nature is not covered under this warranty.

RTA Products will not be responsible for indirect, special, incidental or consequential damages. This warranty is limited to merchandise purchased in the Continental United States. Some States do not allow the exclusion or limitation of incidental or consequential damages, so the above limitations or exclusions may not apply to you. This warranty gives you specific legal rights. You may also have other rights that may vary from state to state.

RTA Products will advise you of the procedure to follow in making warranty claims. The following are the procedures for warranty claims:

- a. Call us Monday – Friday, from 9am-5pm (Eastern Time) at (866) 782-5520 to explain the defect and give your name, address and phone number. Please have ready the model number of our product, date and place of purchase. You can also write to us by e-mail to [warranty@rtaproducts.com](mailto:warranty@rtaproducts.com) and include the same information.
- b. If we determine that replacement will remedy the situation, and in order to determine the extent or the cause of the defect, purchaser will need to send the part in question at purchaser's expense. Once we receive the part, we will examine it and determine whether the claim is valid (or not), and then proceed to send the replacement. We will ship the replacement at our expense.

## **FOR SEVERAL HELP OPTIONS INCLUDING REPLACEMENT PARTS ORDERS**

---

VISIT: [WWW.TECHNIMOBILI.COM](http://WWW.TECHNIMOBILI.COM)



CLICK ON SUPPORT TAB



Scan QR Code to order replacement parts

OR EMAIL US: [SUPPORT@RTAPRODUCTS.COM](mailto:SUPPORT@RTAPRODUCTS.COM)



