

English

MANILA - 2 DRAWER TV STAND

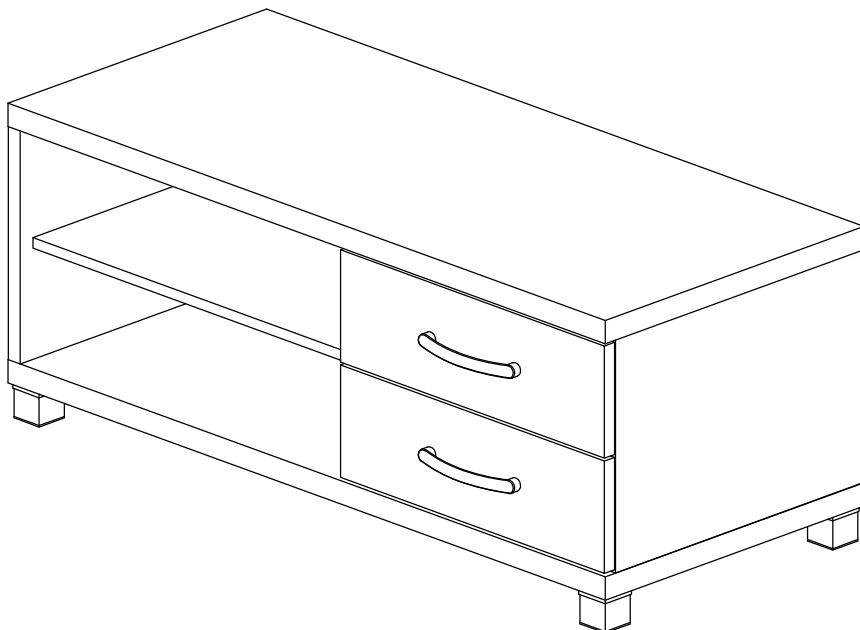
ASSEMBLY INSTRUCTION



IMPORTANT: Surfaces must be cleaned with a solution of a smooth soap and water, then cleared with a dry towel. Do not use solvents and surfaces or structural tubes.

MODEL RTA-8896

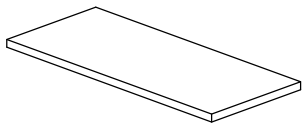
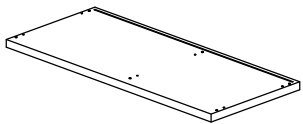
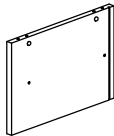
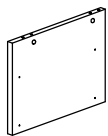
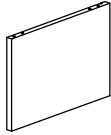
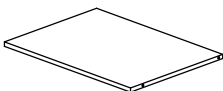
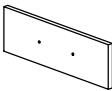



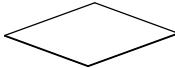
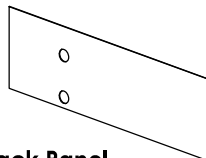
Thanks for purchasing one of our products, please read carefully the assembly instructions before the installation (Attention : Do not tighten the screws before all screws are in place).



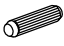
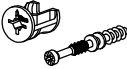



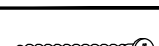



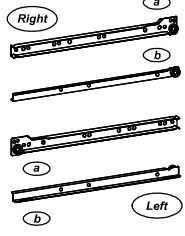


RTA - 8896



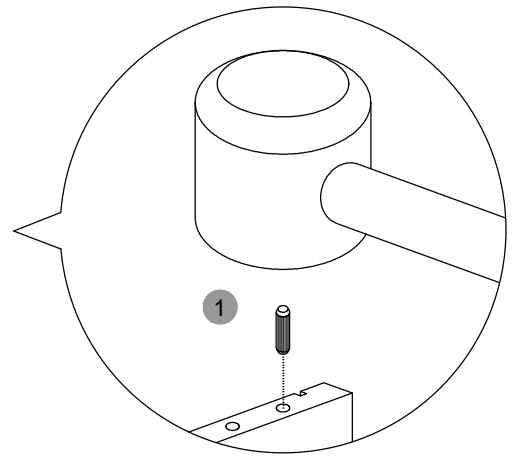
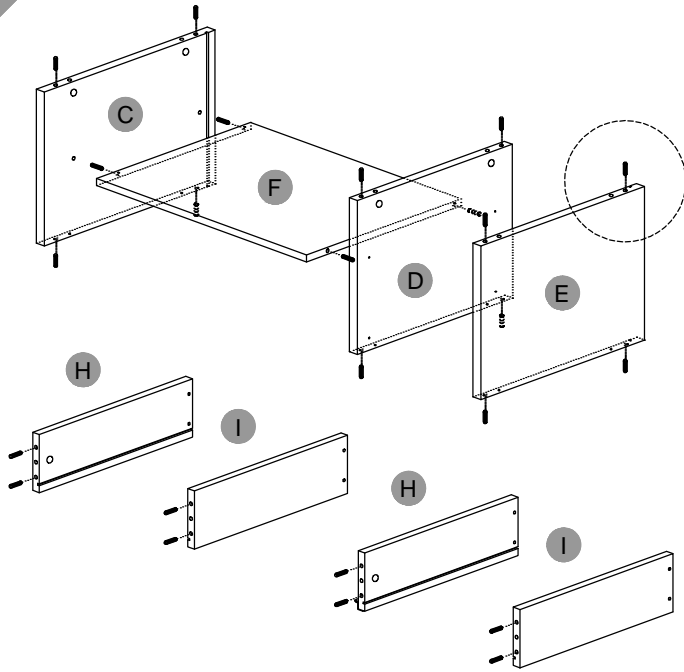
•PARTS LIST

<p>A</p>  <p>• Top Panel</p>	<p>B</p>  <p>• Bottom Panel (Left)</p>	<p>C</p>  <p>• Side Panel (Left)</p>	<p>D</p>  <p>• Center Panel</p>
<p>E</p>  <p>• Side Panel (Right)</p>	<p>F</p>  <p>• Shelf Panel</p>	<p>G</p>  <p>• Front Drawer Panel x 2</p>	<p>H</p>  <p>• Drawer Side Panel (Left) x 2</p>
<p>I</p>  <p>• Drawer Side Panel (Right) x 2</p>	<p>J</p>  <p>• Drawer Back Panel x 2</p>	<p>K</p>  <p>• Drawer Bottom Panel x 2</p>	<p>L</p>  <p>• Back Panel</p>

•HARDWARE

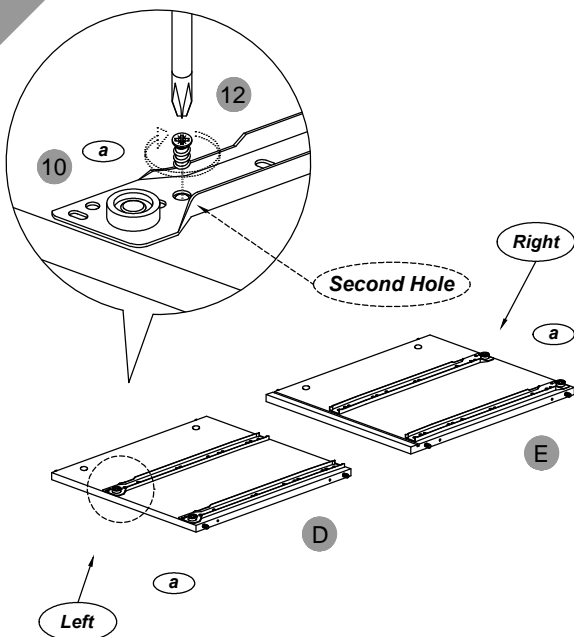
PART	QTY.	ITEM	
1	24Pcs	Wooden Pin	
2	10Sets	Cam Lock	
3	8Pcs	Screw - 3.5 x 15mm	
4	16Pcs	Screw - 3.5 x 16mm	
5	8Pcs	Screw - 4x38 mm	
6	6Pcs	Screw - 5x38 mm	
7	4Pcs	Plastic Feet	
8	2Pcs	Hole Covers	
9	4Pcs	Nail	
10	2Sets	Drawer Metal Sliders Set	
11	2Sets	Handle Set	
12	8Pcs	M5x8mm Screw (Euro Screw)	

1



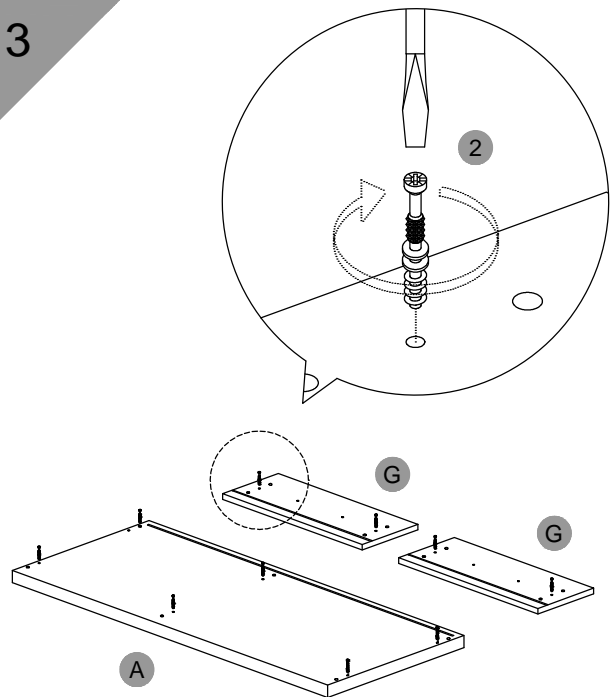
▪ Install 24pcs of Wooden Pins (1) into all panels as shown.

2



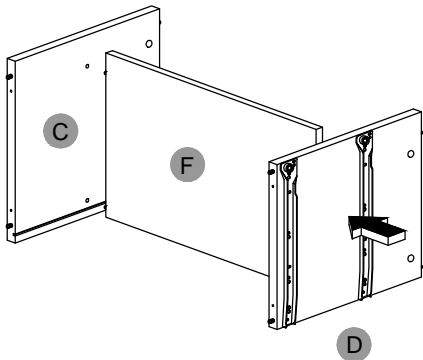
▪ Attach Drawer Metal Sliders (10a) to panel (D) & (E) using screw (12).

3



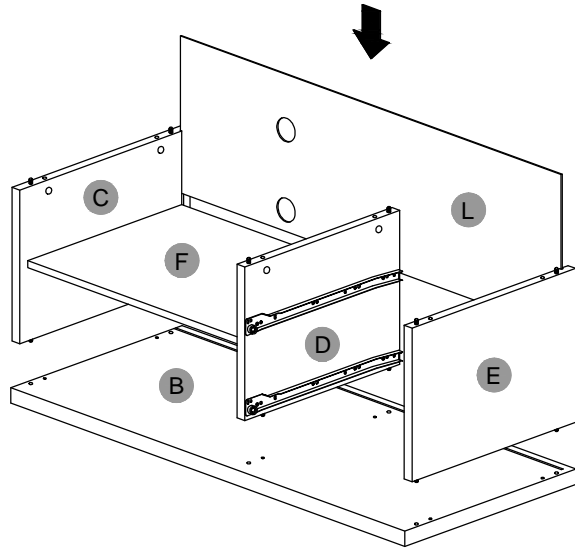
▪ Attach Cam Lock (2) to panel (A) & (G) as shown above.

4



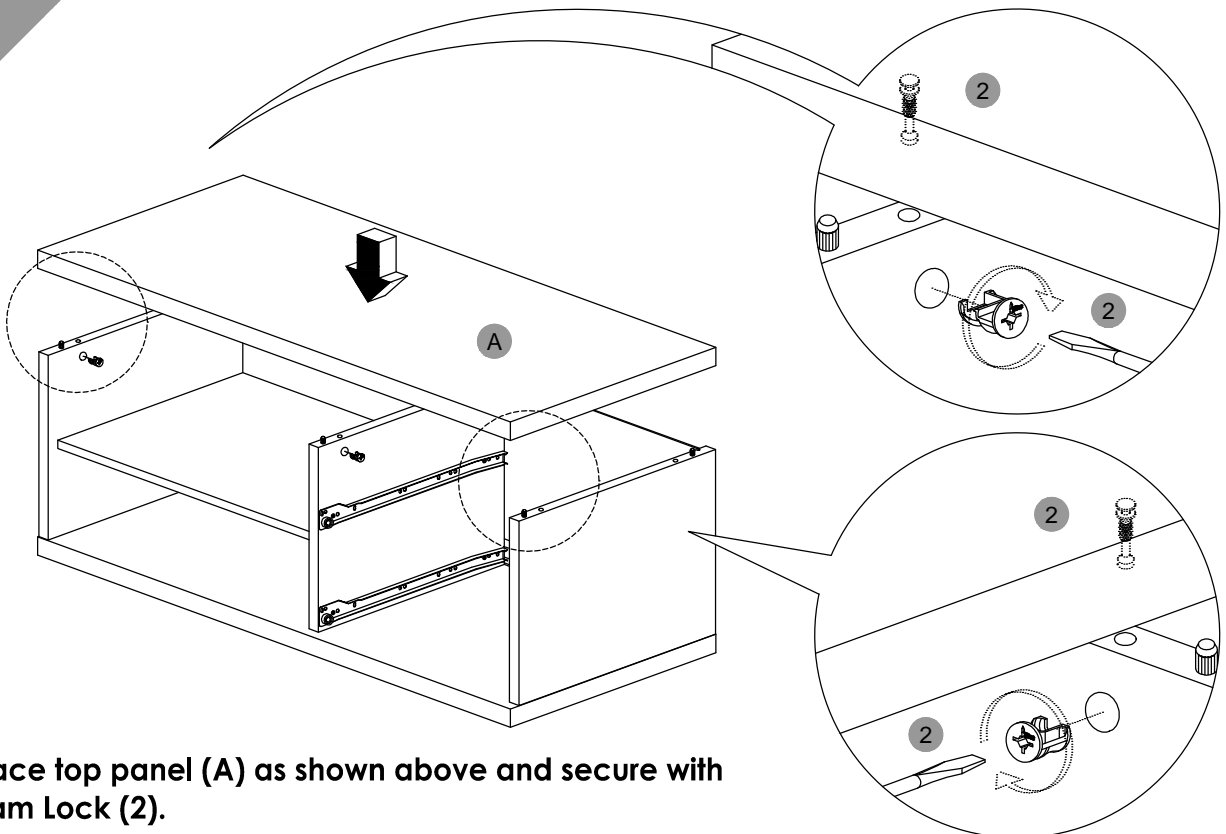
- Assemble panels (C),(F), & (D) as shown above.

5



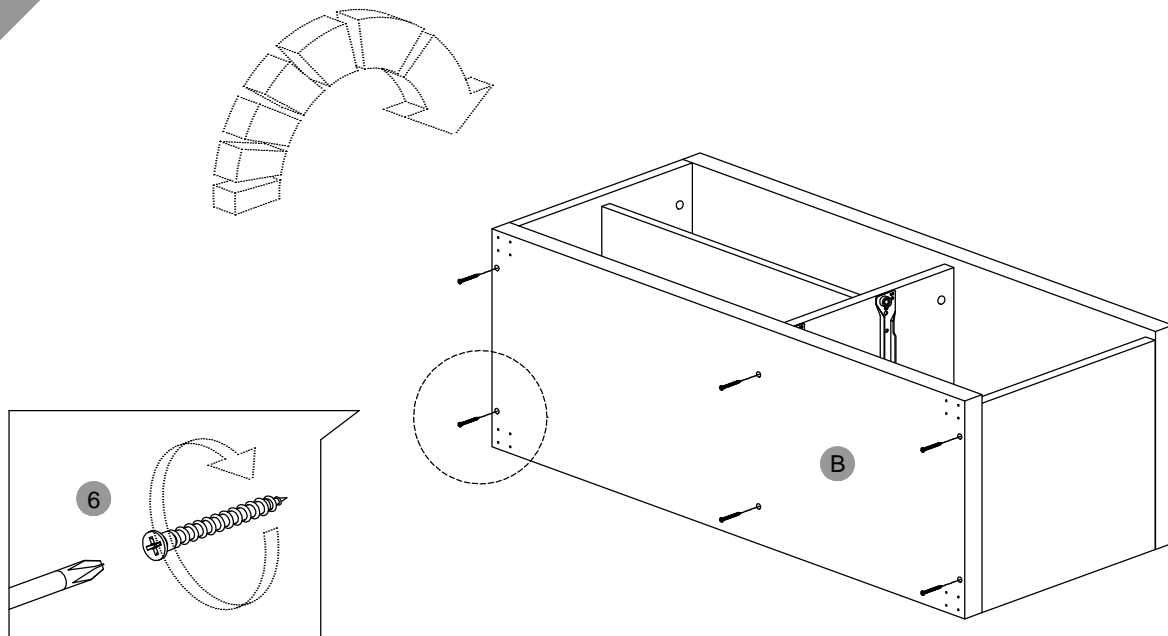
- Place panel (C),(D),(E) & (F) on top of bottom panel (B). Then, Insert back panel (L) between panels (C) & (E) as shown.

6



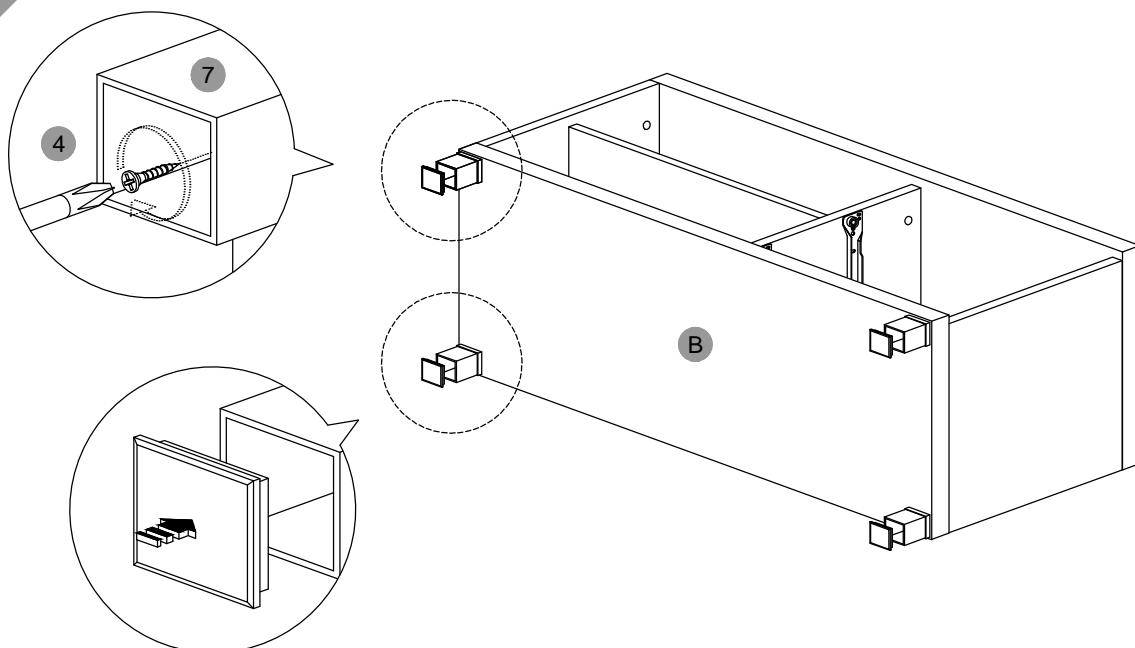
- Place top panel (A) as shown above and secure with Cam Lock (2).

7



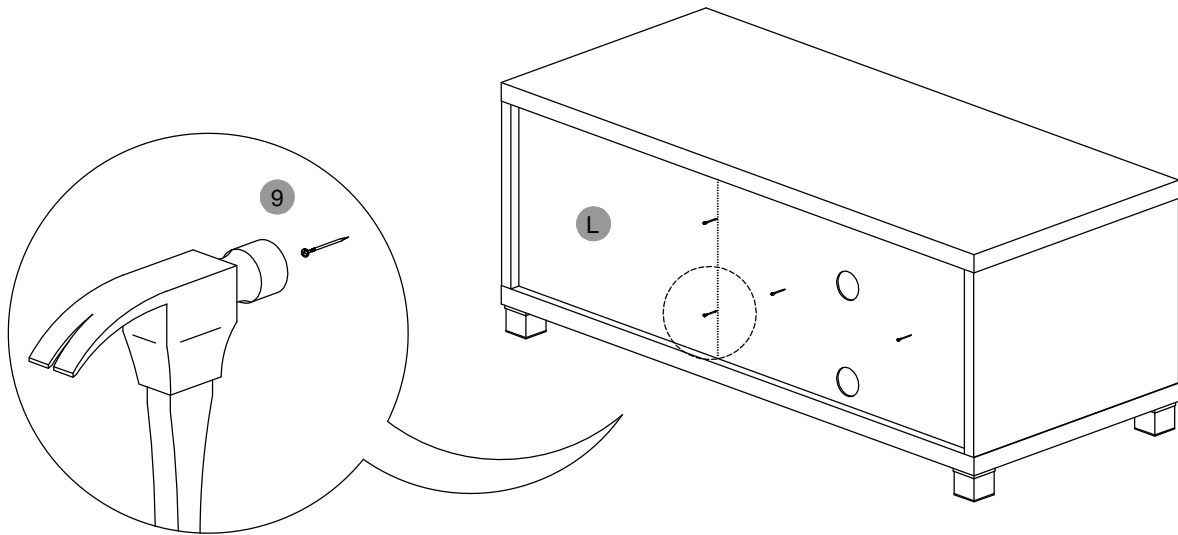
- Place the unit on its side and secure bottom panel (B) with screws (6).

8



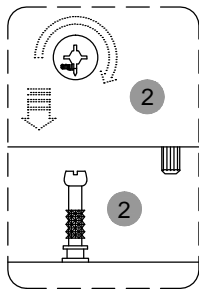
- Install Plastic Feet (7) using screw (4) to bottom panel (B). Make sure once these are attached to cap them off with the plastic caps as shown above.

9

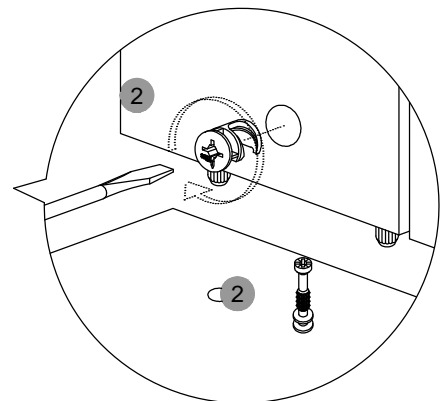
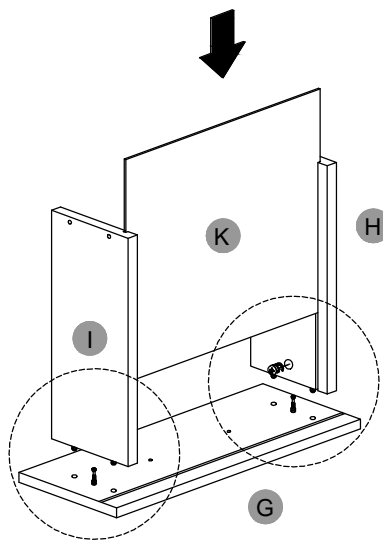
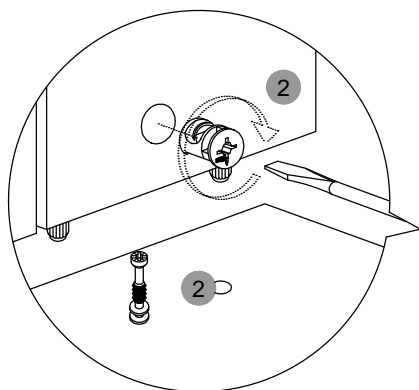


- Secure back panel (L) with Nails (9) as shown above.

10

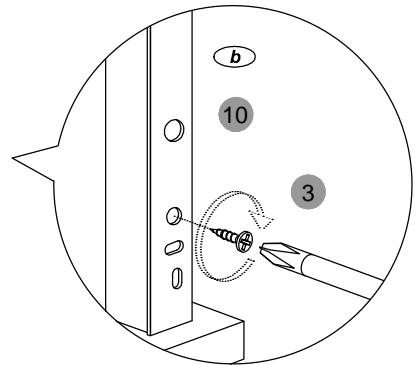
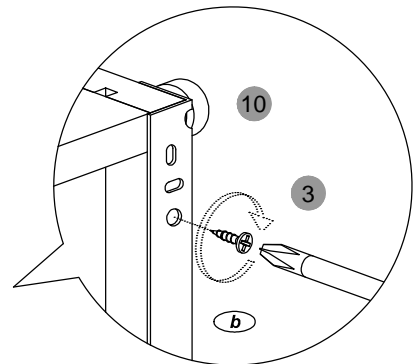
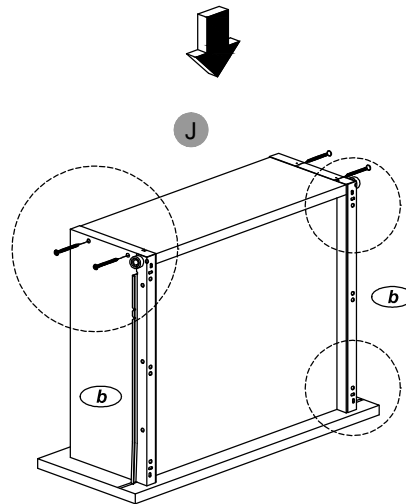
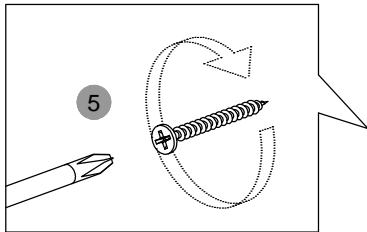


Direction of minifix fitting.



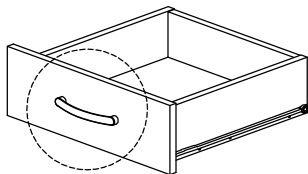
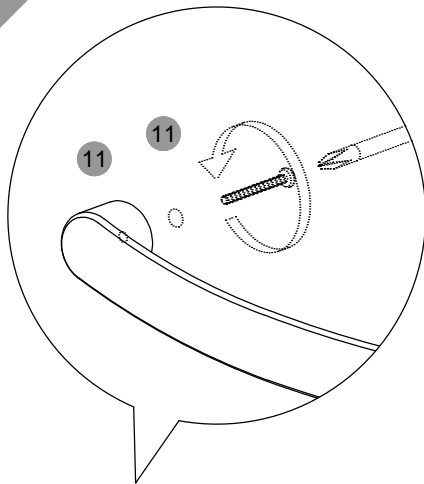
- Assemble panels (G),(H) & (I) using the Cam Locks (2) as shown above. Insert bottom panel (K) between (H) & (I).

11



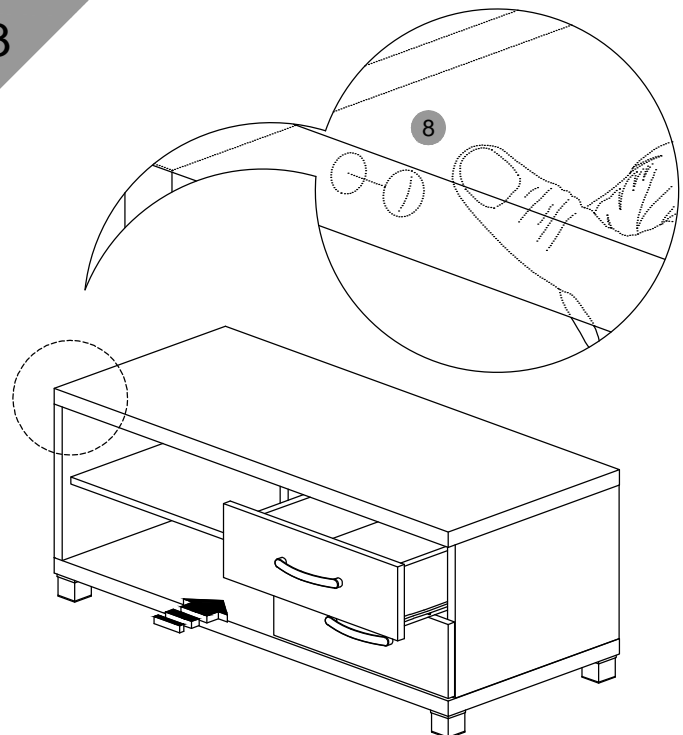
- Install panel (J) with screw (5) on both sides. Then attach Metal Sliders (10b) with screw (3) to Left & Right side as shown above.

12



- Attach Handle (11) with screw for handle as shown above.

13



- Place both drawers into TV Cabinet. Then place the Plastic Caps (8) on side panel (C) as shown.