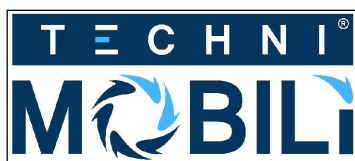
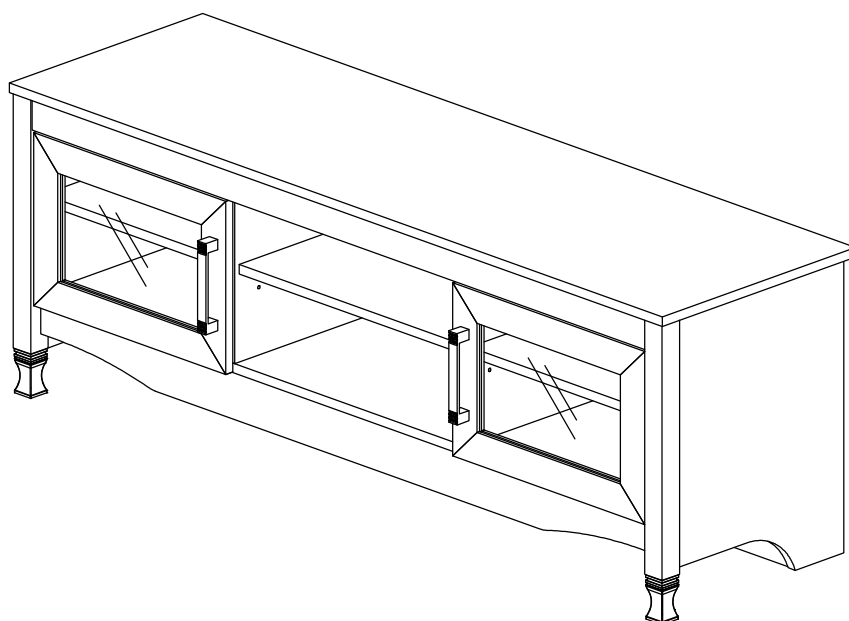


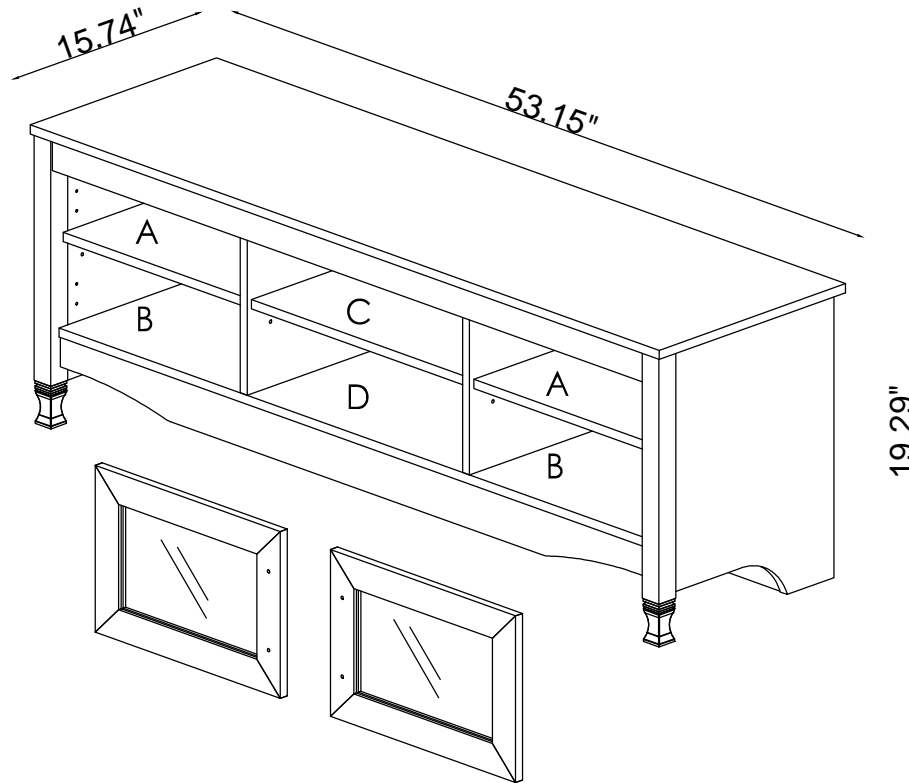
ASSEMBLY INSTRUCTION



MODEL RTA-8855

Thanks for purchasing one of our products.
Please read carefully the assembly instructions before the installation.
Please save this manual for future reference.





GENERAL SPECIFICATIONS

WIDTH : 53.15"

DEPTH : 15.74"

HEIGHT : 19.29"

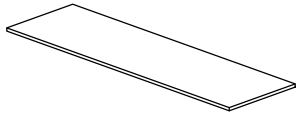
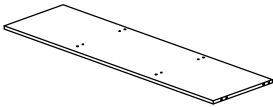
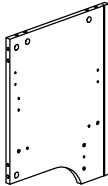
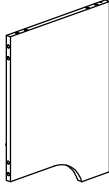


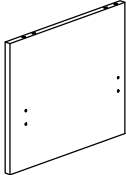
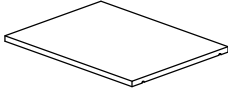
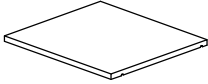
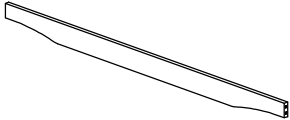
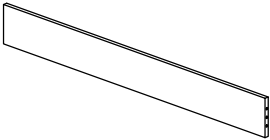
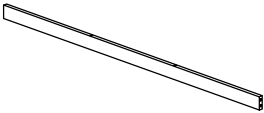
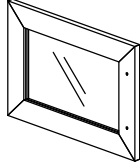
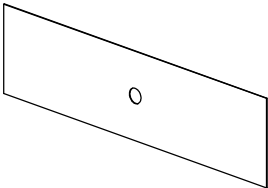
PRODUCT NET WEIGHT : 60.62 Lbs

SHIPS IN 1 BOX

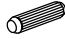
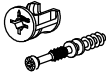
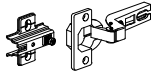

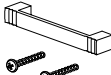








	INTERNAL DIMENSIONS (WxDxH)	WEIGHT LIMIT
TOP	N/A	110 LBS
STORAGE A	15.31" x 14.13" x 4.21"	35 LBS
STORAGE B	15.31" x 14.13" x 5.43"	55 LBS
STORAGE C	18.19" x 14.13" x 4.21"	35 LBS
STORAGE D	18.19" x 14.13" x 5.43"	55 LBS

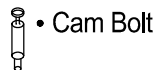


•PARTS LIST

<p>A</p>  <p>-Top Panel x1</p>	<p>B</p>  <p>• Bottom Panel x 1</p>	<p>C</p>  <p>• Side Panel - L x 1</p>	<p>D</p>  <p>• Side Panel - R x 1</p>	
<p>E</p>  <p>• Side Panel Profile-L x 1</p>	<p>F</p>  <p>• Side Panel Profile-R x 1</p>	<p>G</p>  <p>• Stand Panel x 2</p>	<p>H</p>  <p>- Adjustable Shelf-C x 1</p>	<p>I</p>  <p>- Adjustable Shelf-S x 2</p>
<p>J</p>  <p>- Front Leg Panel x 1</p>	<p>K</p>  <p>- Back Leg Panel x 1</p>	<p>L</p>  <p>• Top Crossbar x 1</p>	<p>M</p>  <p>- Door x 2</p>	
<p>N</p>  <p>- Back Panel x 1</p>				

•HARDWARE

PART	QTY.	DESC./SIZE	ITEM
1	30Pcs	Wooden Pin	
2	22Pcs	Cam Lock/Bolt Set	
3	4Sets	Door Hinge Set	
4	16Pcs	Screw - TP 10#x1/2"	
5	2Sets	Handle OS 3256 - 128mm M3.6x24mm Screw	
6	4Pcs	L - Bracket	
7	8Pcs	Screw - 3.5 x 15mm	
8	4Pcs	Screw - 5 x 38mm	
9	12Pcs	Metal Pin	
10	15Pcs	Nail	
11	6Pcs	Plastic Feet	
12	2Pcs	Corner Bracket	
13	4Pcs	Screw - 3 x 16mm	

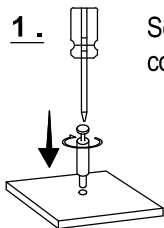


• Cam Bolt

• Cam Lock

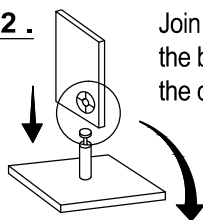
▪ BOLT INSTALLATION AS BELOW :

1.



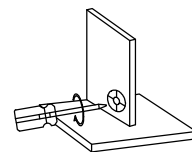
Screw bolt into the corresponding panel.

2.



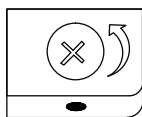
Join the panels by inserting the bolt into the hole with the cam lock.

3.



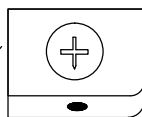
Turn the cam lock.

X



INCORRECT:
Turn cam lock

✓



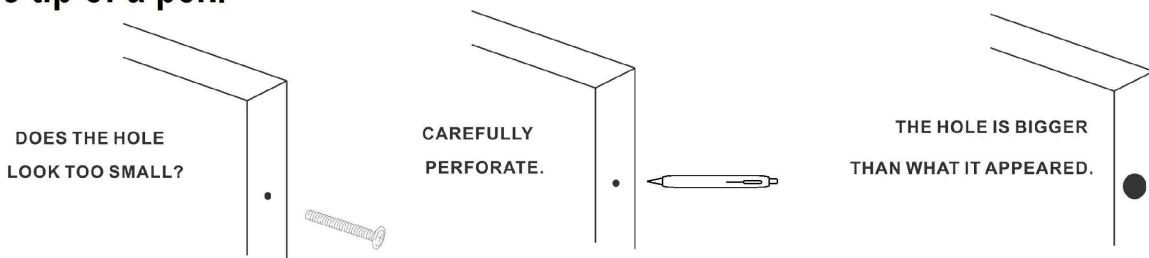
CORRECT:

- Before assembling panels that use the cam bolt and cam lock. Make sure that the cam lock is aligned to receive the bolt.

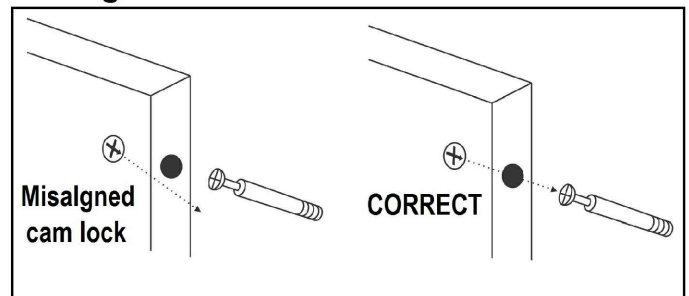
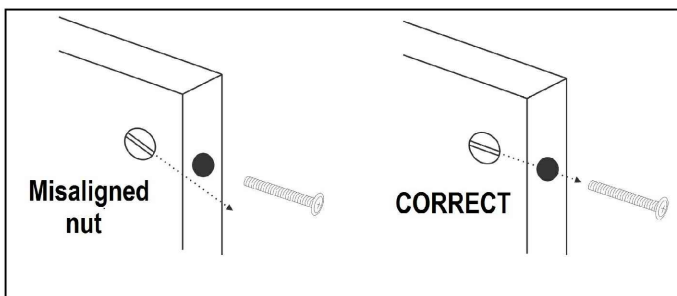


GENERAL ASSEMBLY TIPS AND TROUBLESHOOTING DURING ASSEMBLY:

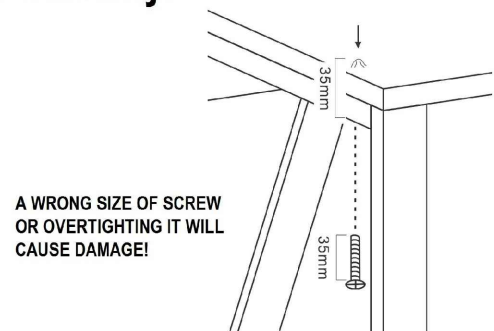
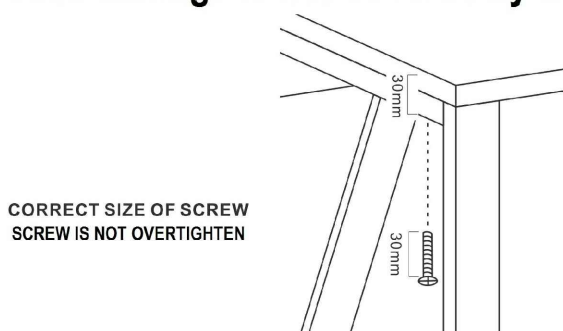
- * Before you start assembling, make sure you have all the parts and necessary hardware by doing a quick inventory.
- * Follow the assembly instructions step by step, and do not skip any unless advised to do so by RTA PRODUCTS' Customer Service.
- * On each step, and to avoid misalignments, always leave screws loose, and do not tighten them until all are in place.
- * In wood panels, the laminate might be covering the holes.
If there are no visible holes: Pass the tip of your finger around the area where the hole should be, and press against the surface to feel the indentation.
If the hole looks too small for the screw or bolt: carefully perforate the laminate with the tip of a pen.



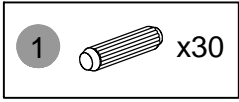
- * In wood panels, some might have inserts that look like screws. Those inserts are either nuts or cam locks. Make sure they are aligned to receive the screws or bolts.



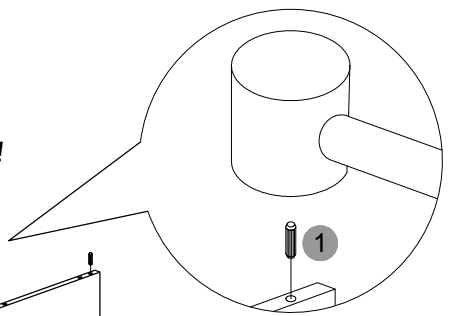
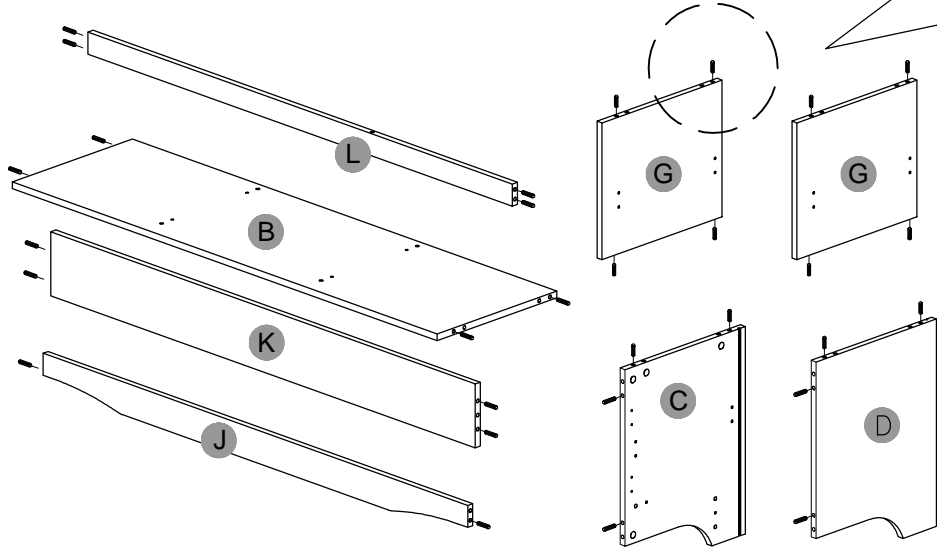
- * Make sure to use the correct screws or bolts, and do not overtighten them. Using wrong screws or overtightening them might cause damage to the parts, and such damage is not covered by the product's warranty.



1



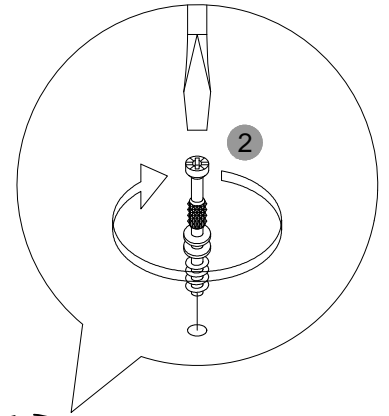
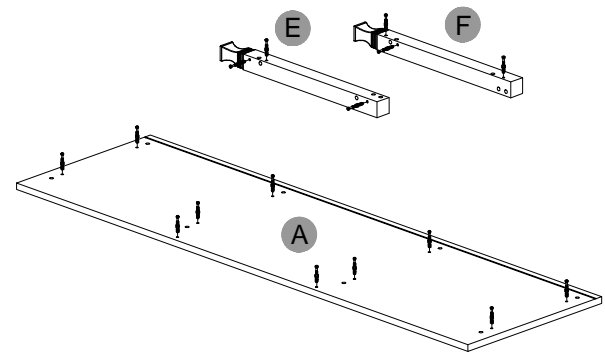
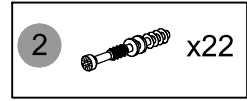
ATTENTION: DO NOT JOIN ANY PARTS IN THIS STEP!



ATTENTION: Make sure to insert the Wooden Pin in the correct holes, as some other holes are intended for the cam bolt!"

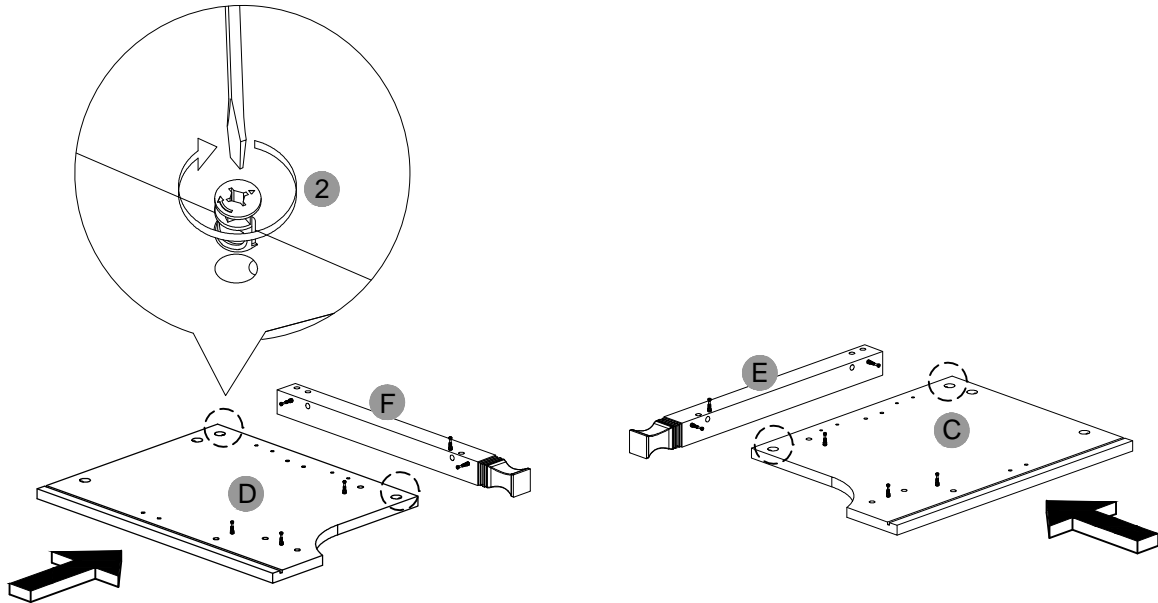
Insert the wooden pins (1) into the corresponding holes of panels (B), (C), (D), (G), (J), (K) and (L) as shown. Please make sure to insert them in the correct hole as some holes are intended for the cam bolts in subsequent steps.

2



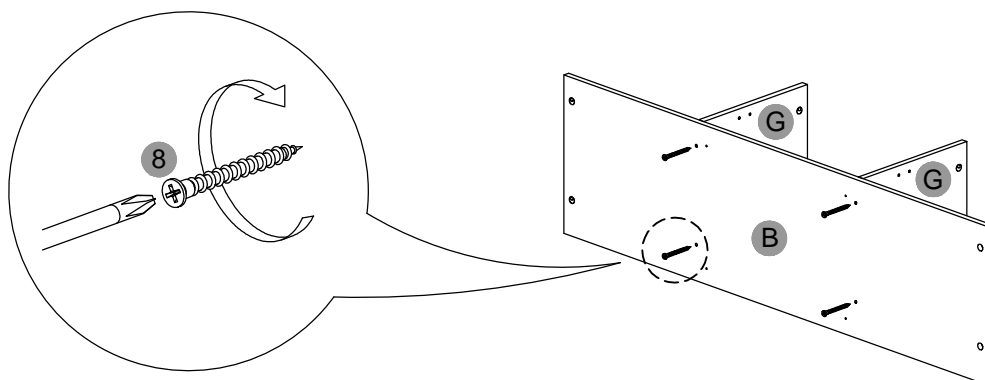
Attach the cam bolts (2) to the corresponding holes on panels (A), (C), (D), (E) and (F) as shown. Please make sure to insert them in the correct hole as some holes are intended for the wooden pins in subsequent steps.

3

2  x4

Insert and align the cam locks (2) into the corresponding holes on panels (C) and (D) as shown and as explained on page 4. Then assemble the panel (E) to panel (C) and the panel (F) to panel (D) as explained on page 4.

4

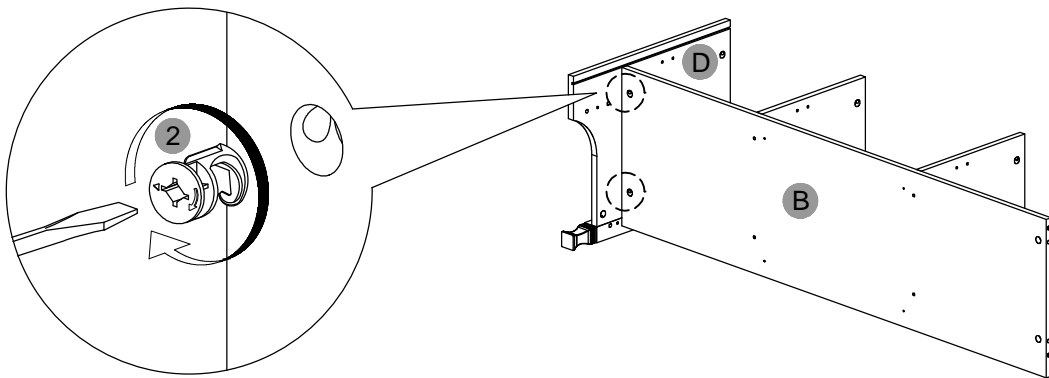
8  x4

Assemble panels (B) and (G) using screws (8) as shown. Please make sure to screw thru the correct holes on panel (B) as other holes are intended for the L-Bracket in subsequent steps.

5

2  x2

(VIEW FROM THE BACK OF THE STAND)

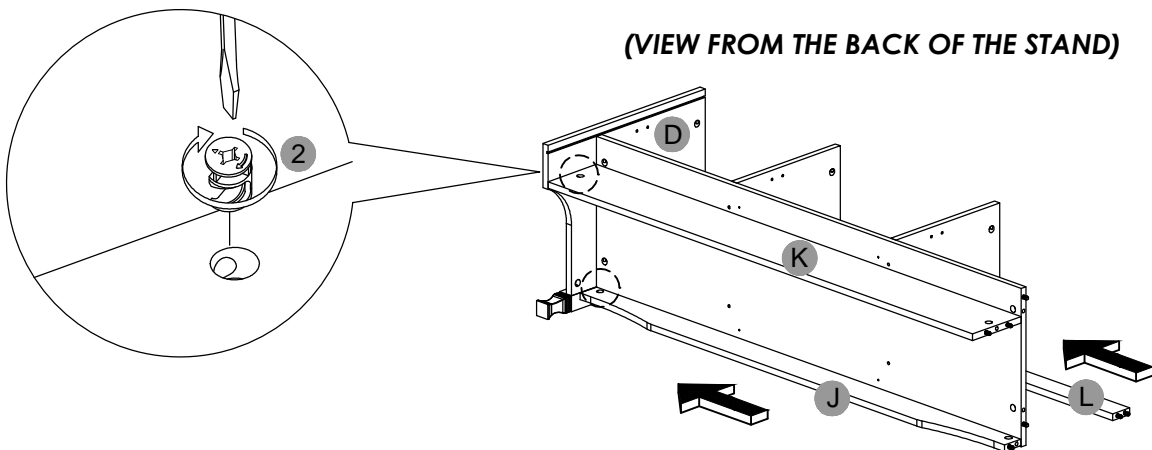


Insert and align the cam locks (2) into the corresponding holes on panel (B) as shown and as explained on page 4. Then assemble the panel (D) to panel (B) as explained on page 4.

6

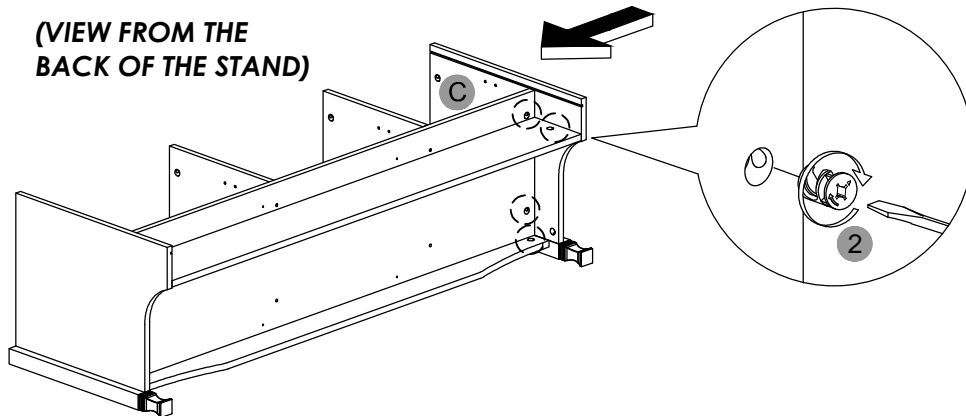
2  x2

(VIEW FROM THE BACK OF THE STAND)



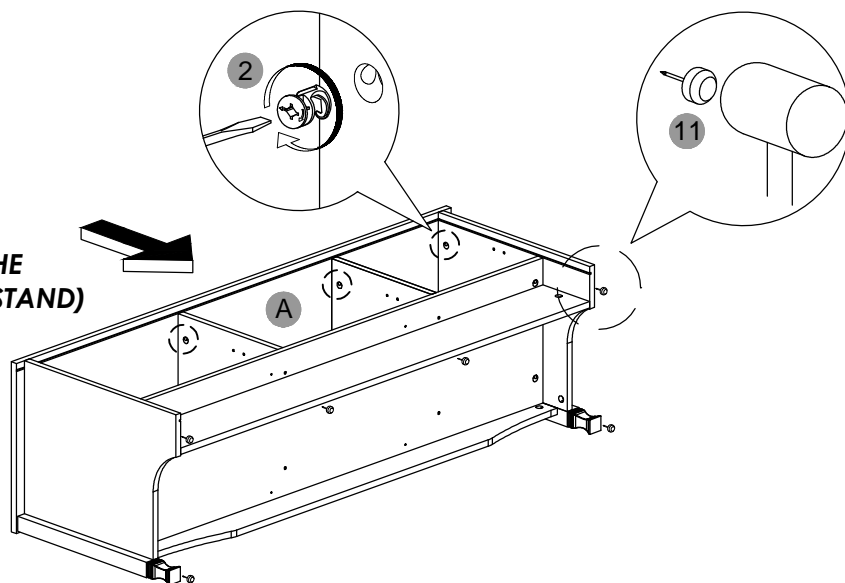
Insert and align the cam locks (2) into the corresponding holes on panels (J) and (K) as shown and as explained on page 4. Then assemble the panels (J) and (K) to panel (D/F) as explained on page 4. Finally, join the panel (L) to the panel (D/F) on the top front side of the stand, but make sure that the holes on (L) are facing inwards, if not, they will be visible on the front of the TV stand.

7

2  x4(VIEW FROM THE
BACK OF THE STAND)

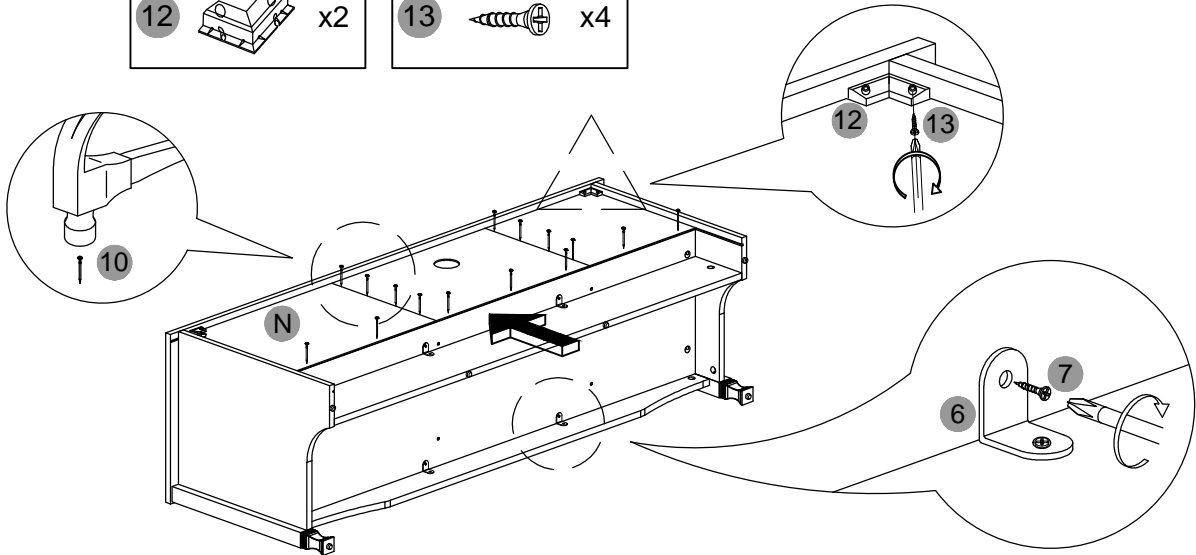
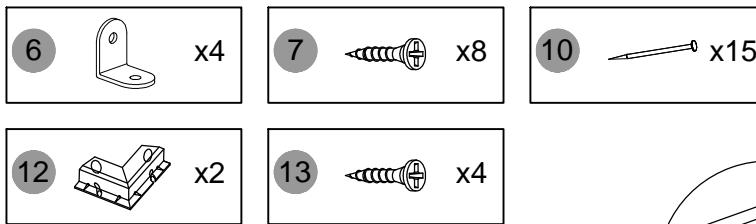
Insert and align the cam locks (2) into the corresponding holes on panels (J) and (K) as shown and as explained on page 4. Then assemble the panels (C/E) to the rest of the panels in this step as explained on page 4.

8

2  x1011  x6(VIEW FROM THE
BACK OF THE STAND)

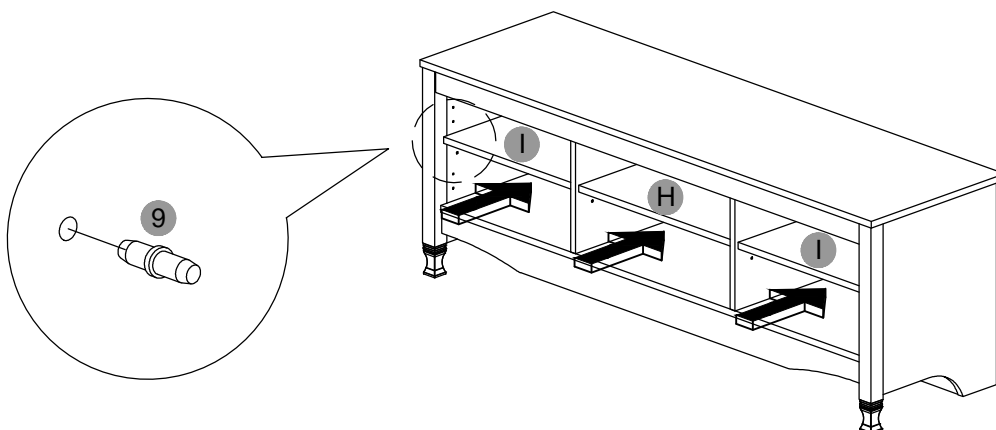
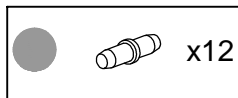
Insert and align the cam locks (2) into the corresponding holes on panels (C/D/G/L) as shown and as explained on page 4. There will be a total of 10 cam locks to insert inside the unit. Then assemble the Top Panel (A) to the rest of the parts as explained on page 4. Finally, attach the plastic feet (11) to the panels (C/D/E/F/K) as shown.

9



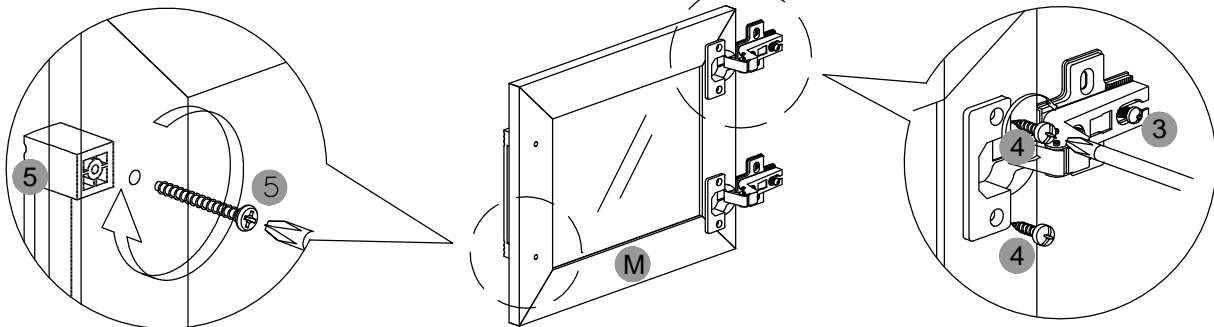
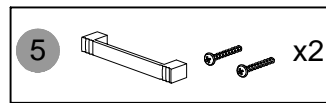
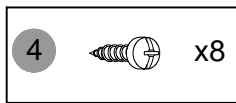
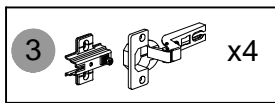
Assemble the back panel (N) to the back side of the unit with nails (10) according to the illustration. Then assemble the corner brackets (12) to the top corners of the unit using screws (13). Finally, assemble the L brackets (6) to the panels (B/J/K) using screw (7) as shown.

10



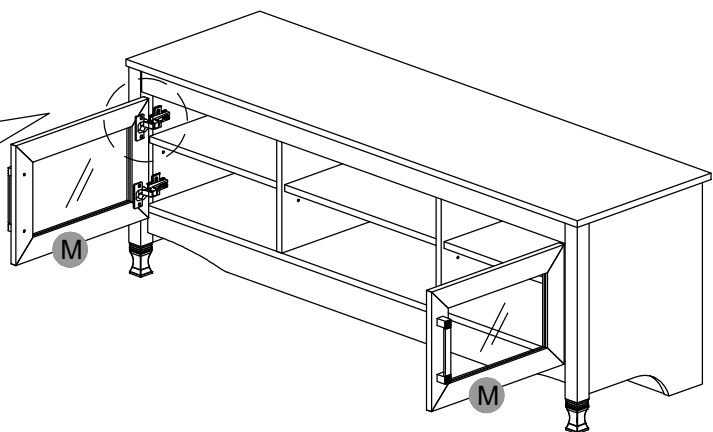
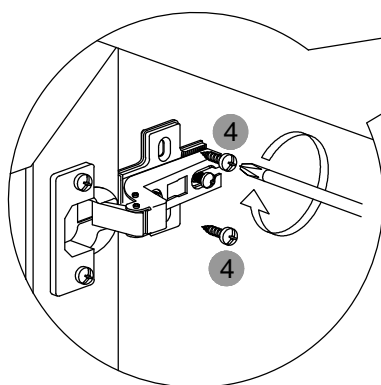
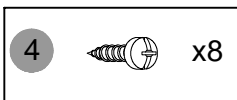
Place the metal pins (9) into the corresponding holes on panels (C/D/G) at the level of your preference, and then place the shelves (I) on the 2 sides, and the shelf (H) in the center.

11

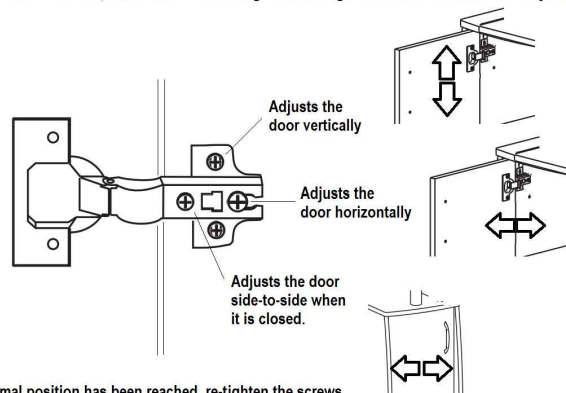


Assemble the hinges (3) to both doors (M) using screws (4) as shown. Then assemble the handle (5) to the doors using the screws that come with the handles.

12



To fine-tune the position of the door, unscrew loose the hinges according to how the door should be adjusted:



When the optimal position has been reached, re-tighten the screws.

Assemble the doors to the unit using screws (4) as shown. If the door does not close properly, fine-tune the hinges as explained in the illustration.



CARE AND MAINTENANCE

PLEASE READ THOROUGHLY

- Do not expose the surfaces to direct sunlight or to extreme environmental conditions. Damages caused by this kind of exposure is not covered by the product's warranty.
- Clean the surfaces preferable with a soft cloth damped with a solution of a mild soap and water, then dry with a clean towel.
- Do not use solvents or abrasive materials to clean any part of the unit.
- Do not allow children to play over or under the unit.
- Do not let children operate moving/mechanical parts or reach inside any of the compartments without your supervision.
- Before moving or transporting the unit:
 - a) Remove all objects from the tabletop, shelves, drawers or compartments that are heavy or might fall off.
 - b) If the unit is on wheels, make sure that they are unlocked.
 - c) If the unit is not on wheels, it must be handled by at least 2 persons. Use both of your hands and bend your legs, not your backs.
- In case of glass breakage (items with glass tops or parts) do not handle the broken glass with your bare hands, and notify the manufacturer, vendor or distributor immediately.