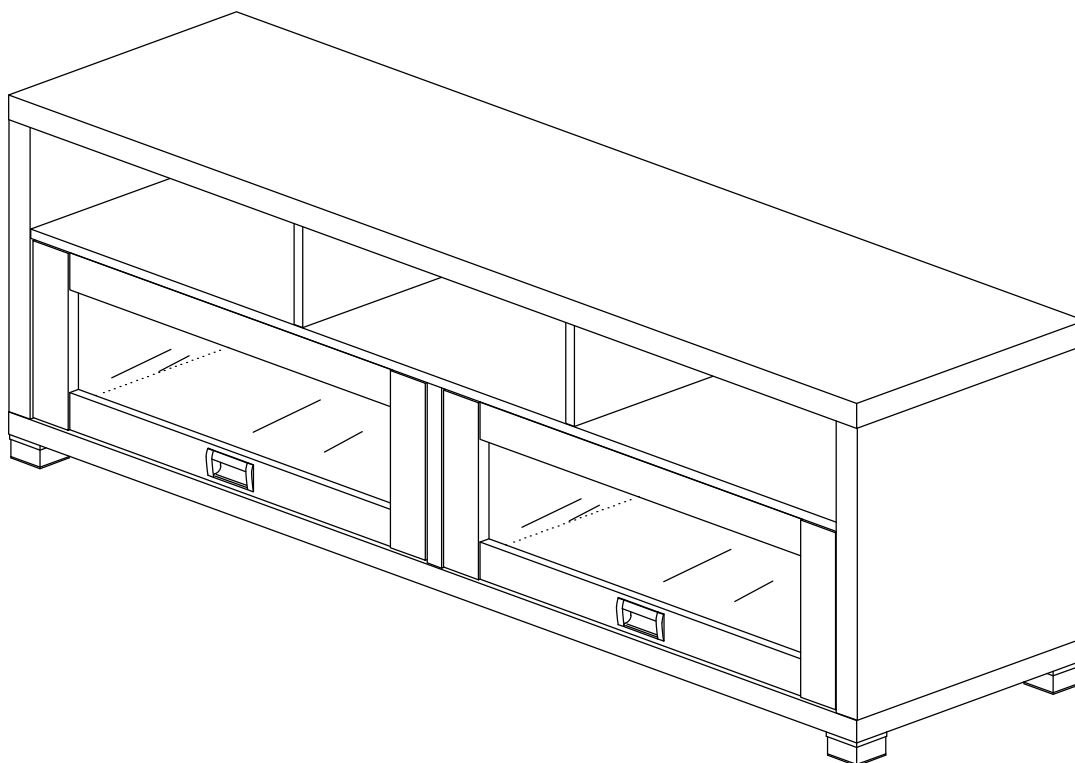


MODEL RTA-8850

ASSEMBLY INSTRUCTIONS

Thank you for purchasing our products.



Scan QR Code to view
full assembly video





- Please read carefully the assembly instructions before the installation.



- Do not discard this manual or any of the packaging material until the unit has been completely assembled.

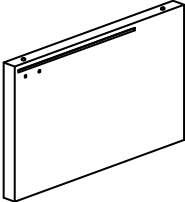
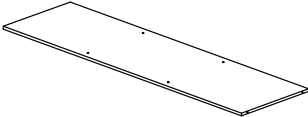
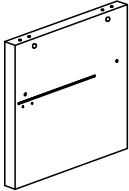
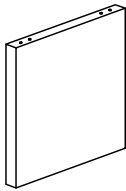
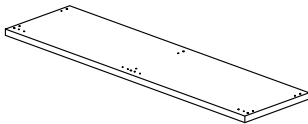
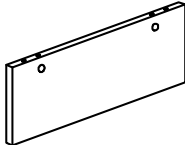
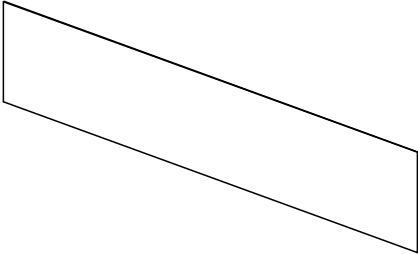
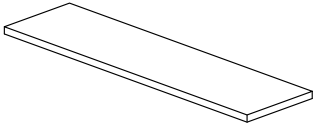
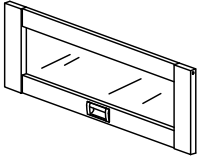
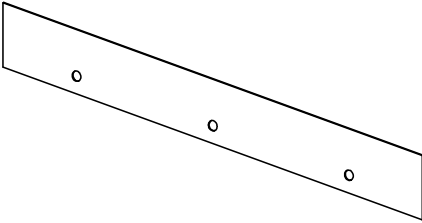


- Scan QR Code to view full assembly and step video

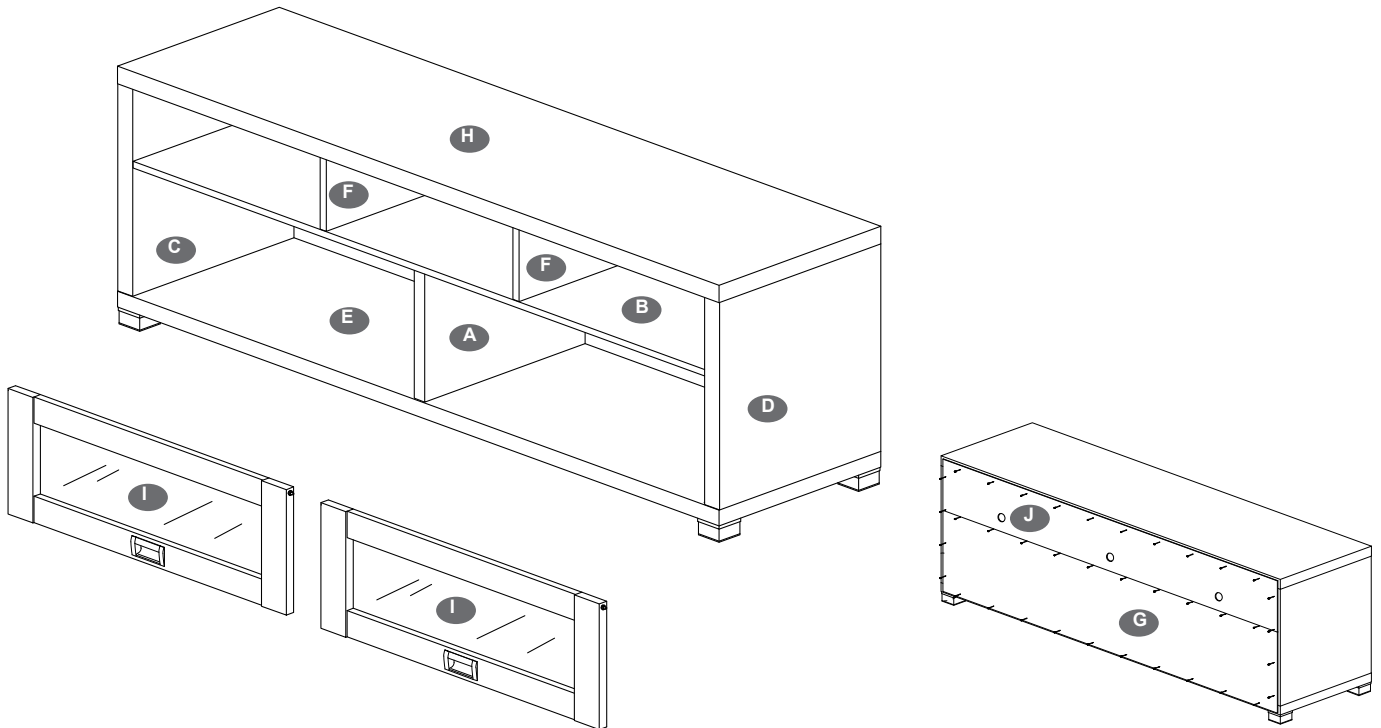


- Might require two people

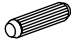
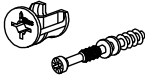
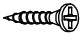



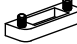

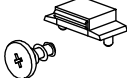
MAIN PARTS LIST

#A Bottom divider panel x1 	#B Middle shelf x1 	#C Left panel x1 	#D Right panel x1 
#E Bottom panel x1 	#F Top divider panel x2 	#G Bottom back panel x1 	
#H Top main panel x1 	#I Door x2 	#J Top back panel x1 	



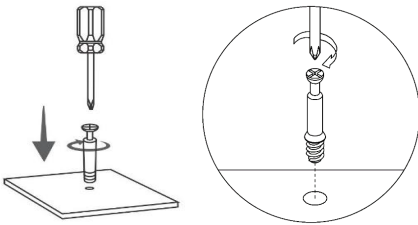
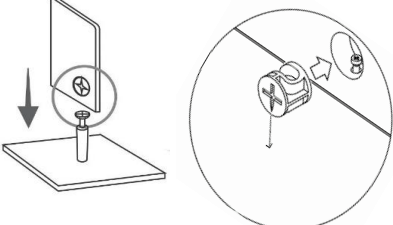
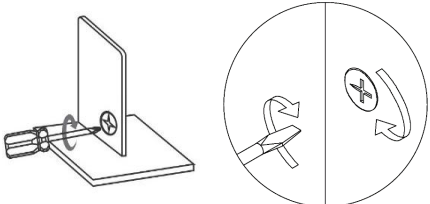
MAIN PARTS LAYOUT (FOR REFERENCE):



SCREWS LIST:

PART	QTY.	ITEM	
1	24Pcs	Wooden Pin	
2	8Sets	Cam lock and bolt	
3	20Pcs	Screw 3.5 x 16mm	
4	6Pcs	Screw 4x65 mm	
5	50Pcs	Nail	
6	4Pcs	Metal Pin	
7	4Pcs	Door Stopper	
8	5Pcs	Plastic Feet	
9	4Sets	Magnet Set	

➤ This unit uses cam bolts and locks. The following explains how to use them.
 This is not an assembly step; it is a guide for when you are actually doing the assembly using this kind of hardware.

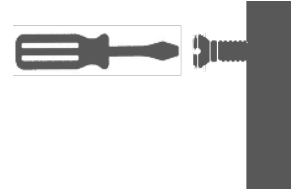
Cam Bolt 	Cam Lock 	
<p>1. Screw the bolt into the corresponding panel.</p> <div style="text-align: center;">  </div>	<p>2. In the other panel, insert the cam lock and align it so it can properly receive the bolt, then join both panels (the cam locks might come pre-installed in this unit).</p> <div style="text-align: center;">  <p style="text-align: center; margin-top: 5px;">ALIGNMENT DIRECTION</p> </div>	<p>3. The panels might have a very small gap which is normal; turn the cam lock clockwise to lock the parts together and the gap will also close.</p> <div style="text-align: center;">  </div>

BEFORE YOU START THE ASSEMBLY, PLEASE READ THE FOLLOWING TIPS AND WARNINGS.

1 Do a quick inventory to make sure the package contains all the parts and hardware listed in the assembly instructions.



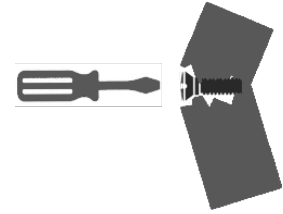
7 To avoid misalignments, always leave the screws loose and tighten them until all pieces are positioned correctly.



2 Missing, damaged and defective parts can be replaced at no cost to you. Please refer to the CONTACT card included with the product.



8 Do not overtighten or force the screws as they might break, strip, damage the threads of the holes or get stuck inside the part.



3 The replacement parts service is limited to the continental United States. If you reside in Hawaii, Puerto Rico, U.S. Dependencies or other countries, please contact the supplier from where the unit was purchased.



9 Sometimes the laminate might cover partially or entirely the hole on a panel. If there is no visible hole for the screw, pass and press the tip of your finger over the area where the hole should be located to feel the indentation, and once found, carefully pierce the laminate to reveal the hole underneath.



4 If during assembly you find an issue or need clarification, please contact our Customer Service for assistance. Please refer to the CONTACT card included with the product.



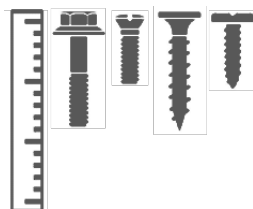
5 On each step read the instructions and analyze the illustrations thoroughly before proceeding to do the assembly.



10 If the hole seems too small for the screw, first make sure you are using the correct size of screw and that it's been installed in the correct hole. If the hole still appears to be too small, carefully pierce the laminate to reveal the hole's actual size.



6 Make sure you understand which hardware will be used on each step. Using the wrong size of screw, bolt or pin might strip the threads or cause damage to the part in which it is being used.



ASSEMBLY STEPS

STEP 1

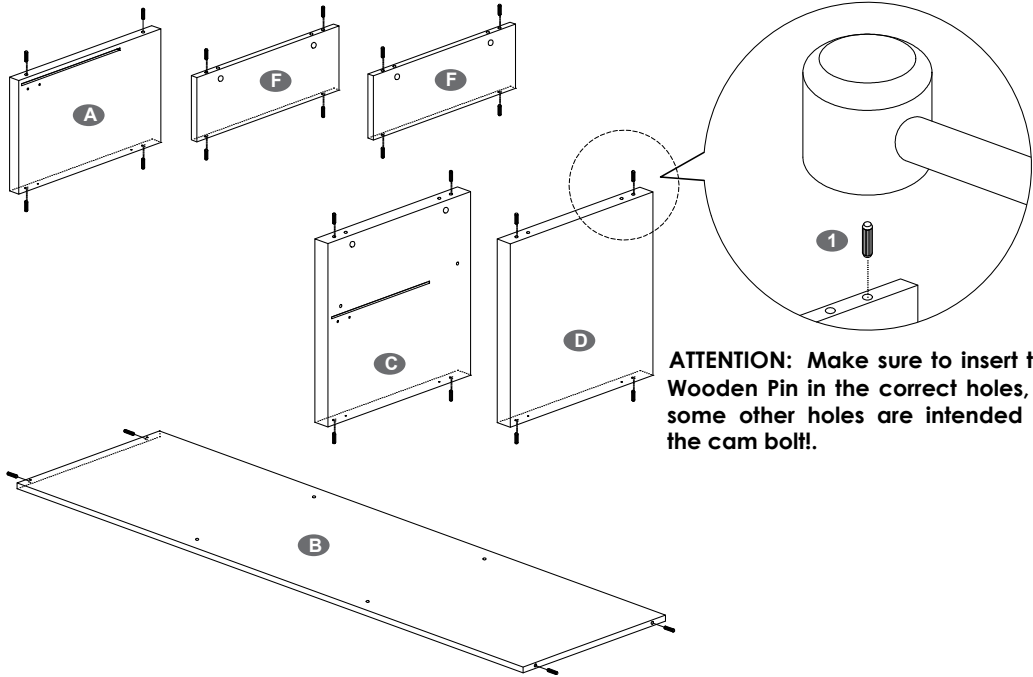
Insert the wooden pins (1) into panels (A - B - C - D - F) as shown.

Hardware:

1  x24



Scan QR Code to view this step



ATTENTION: Make sure to insert the Wooden Pin in the correct holes, as some other holes are intended for the cam bolt!.

! ATTENTION: DO NOT JOIN ANY PARTS IN THIS STEP!

STEP 2

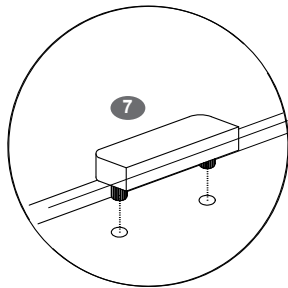
Attach Door Stopper (7) to the RIGHT side of panel (A) and panel (C) as shown.

Hardware:

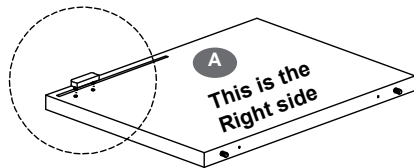
7  x2



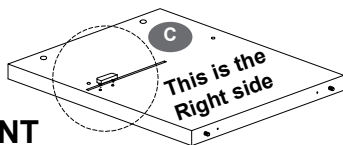
Scan QR Code to view this step



FRONT



FRONT



STEP 3

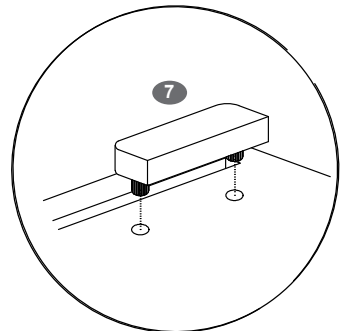
Attach Door Stopper (7) to "left side" of panel (A) and panel (D) as shown.

Hardware:

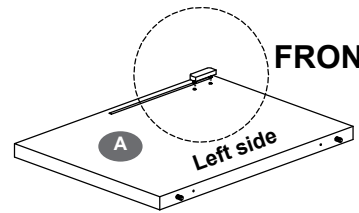
7  x2



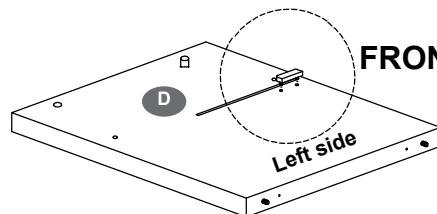
Scan QR Code to view this step



FRONT



FRONT



STEP 4

Remove the top caps from the Plastic Feet (8) and assemble the to bottom panel (E) using screws (3) as shown.

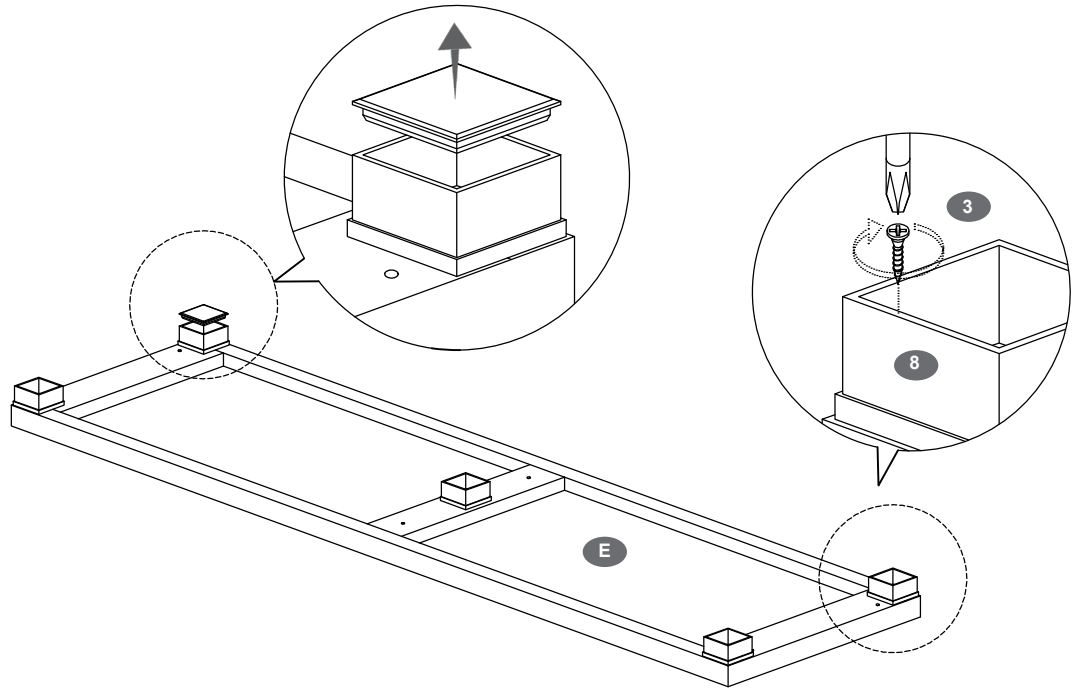
Hardware:

3  x20

8  x5



Scan QR Code to view this step



STEP 5

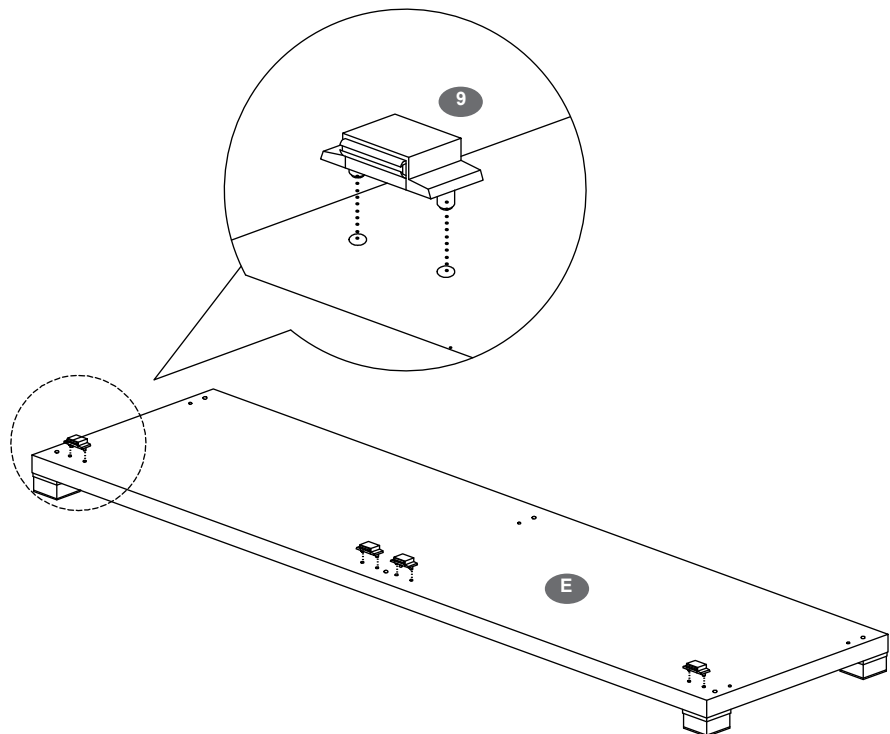
Attach the magnets (9) to the bottom panel (E) with the magnets facing to the front as shown, and save their screws to use in step number 8.

Hardware:

9  x4



Scan QR Code to view this step



STEP 6

Assemble panel (A) to panel (E) as shown and secure with screws (4).

Hardware:

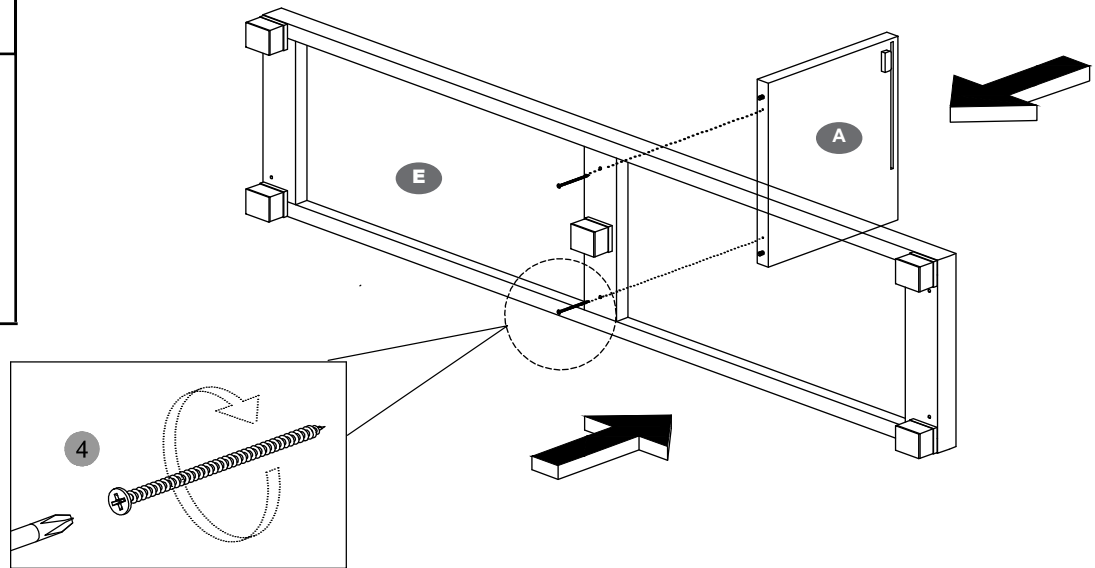
4



x2



Scan QR Code to view this step



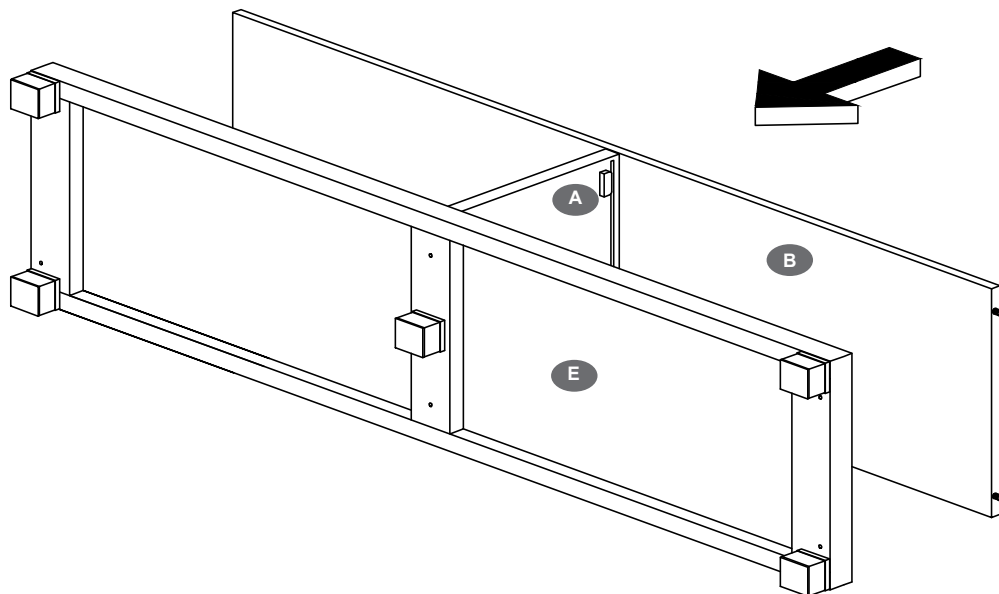
STEP 7

Join the middle panel (B) to panel (A) (no screws are needed here).

👉 Another person should keep holding this part during steps 7 through 10.



Scan QR Code to view this step



STEP 8

Attach the screws from the magnet set (9) to both door panels (I), then place both metal pins (6) as shown.

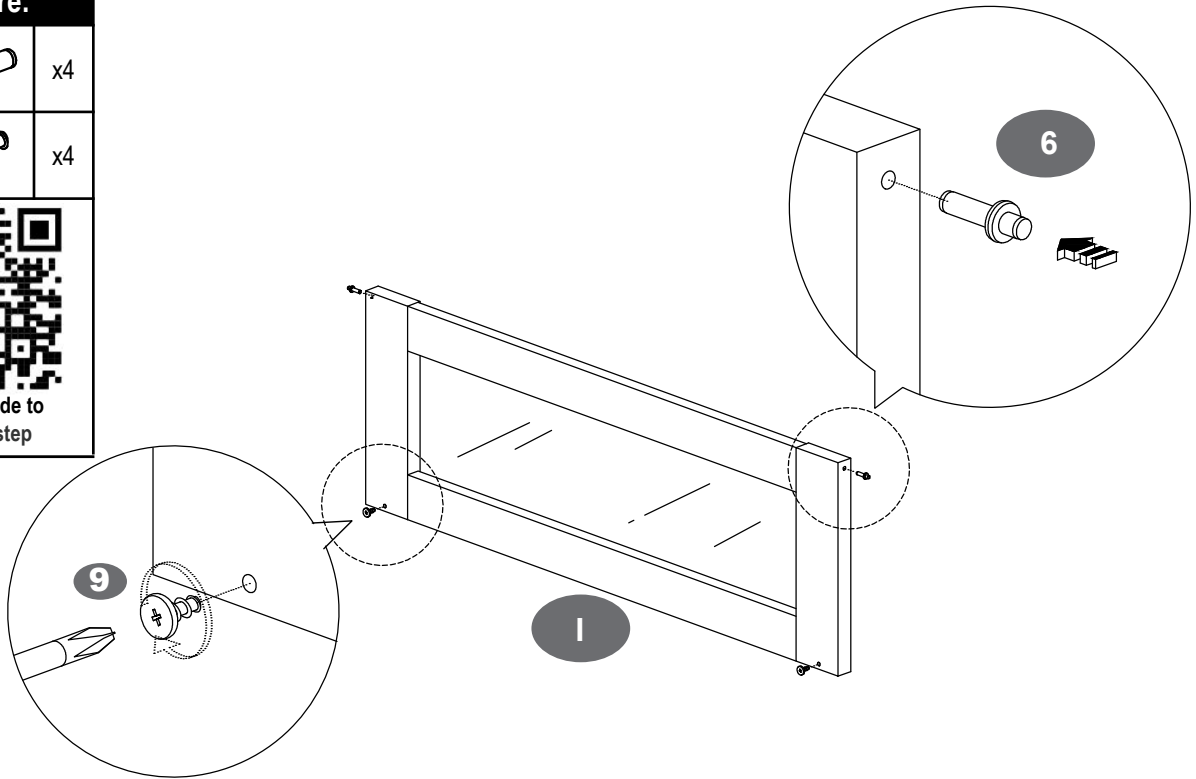
Hardware:

6  x4

9  x4



Scan QR Code to view this step



STEP 9

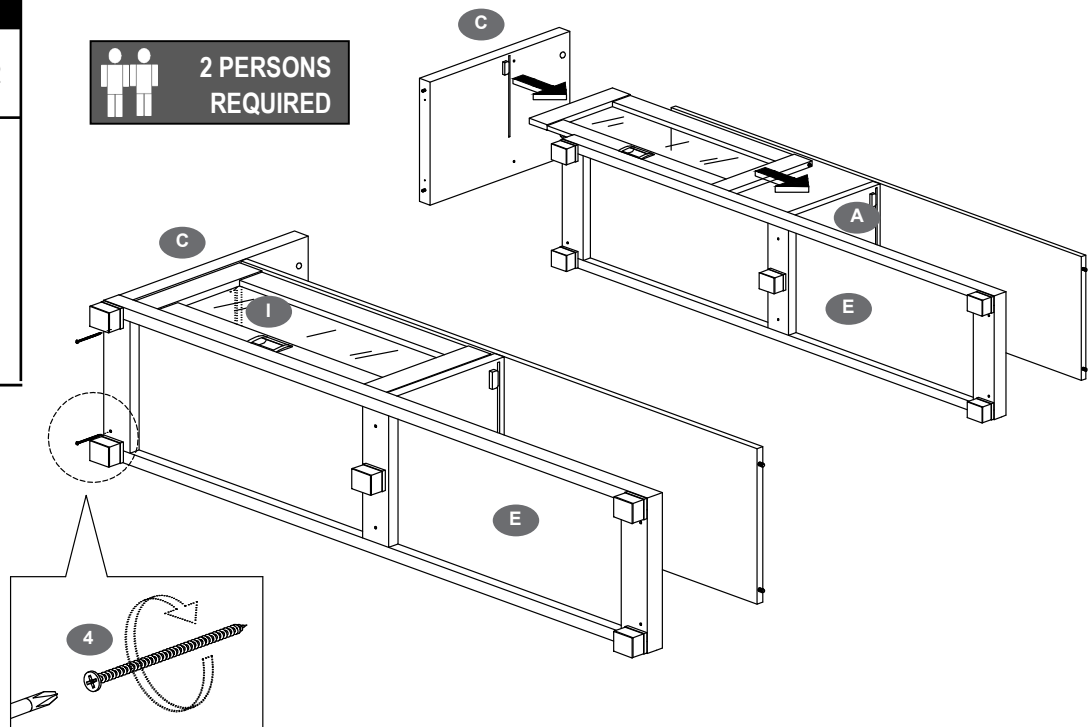
Place the door (I) on the left side in between panels (A) and (C), then secure the panel (C) using screws (4) as shown.

Hardware:

4  x2



Scan QR Code to view this step

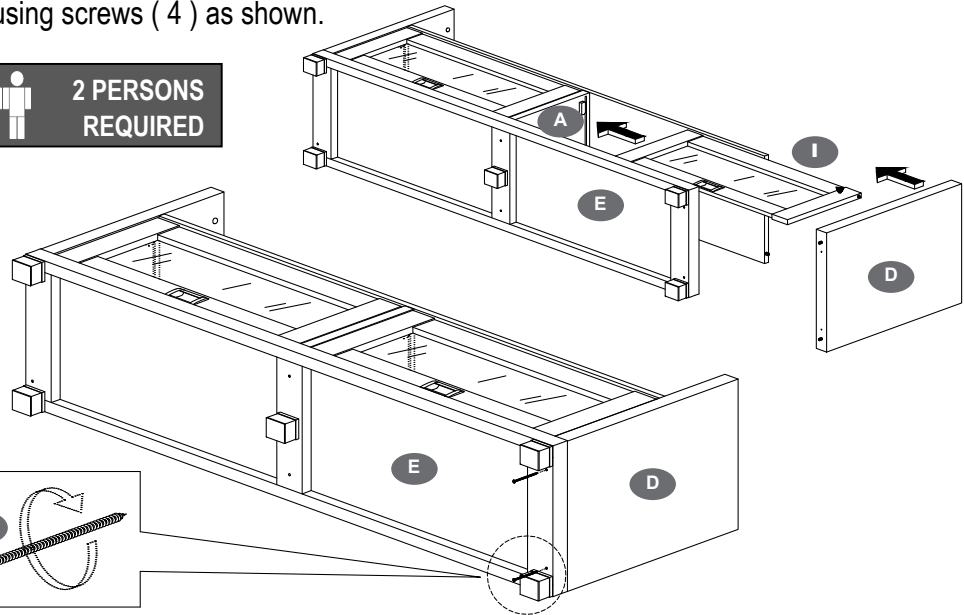


STEP 10

Place the door (I) on the right side in between panels (A) and (D), then secure the panel (D) using screws (4) as shown.

Hardware:4  x2**2 PERSONS
REQUIRED**

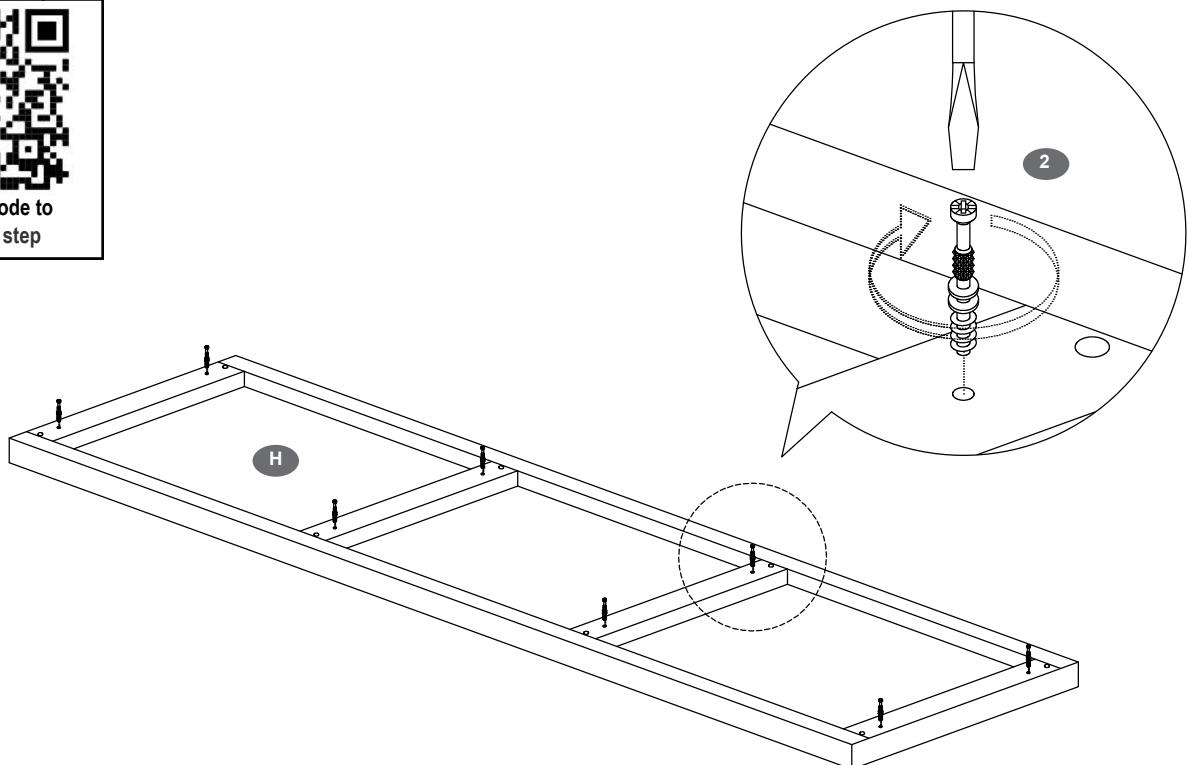
Scan QR Code to
view this step

**STEP 11**

Attach Cam Bolt (2) to Top Main panel (H) as shown.

Hardware:2  x8

Scan QR Code to
view this step



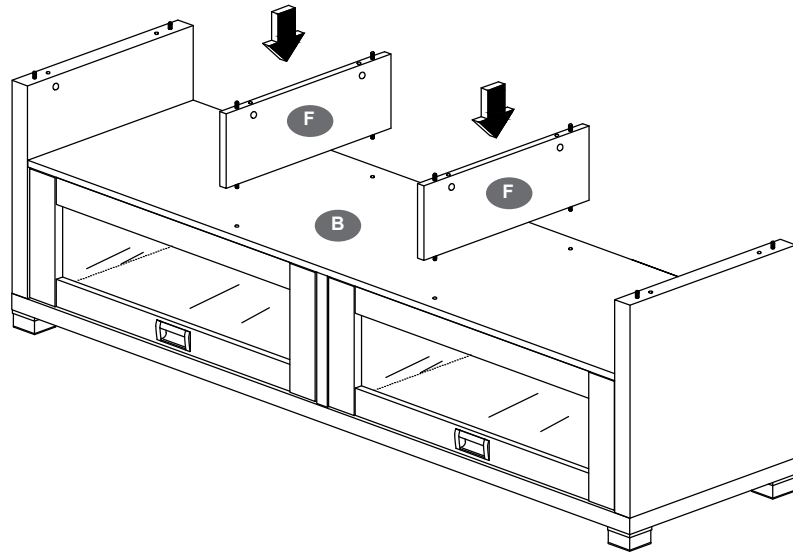
ATTENTION: Make sure to insert the Cam Bolts in the correct holes, as some other holes are intended for the wooden pins!.

STEP 12

Attach panels (F) to panel (B) as shown



Scan QR Code to view this step



STEP 13

Insert the Cam Locks (2) into the holes of panels (C), (D) and (F) and align them as it is explained on page 4. Then assemble the main panel (H) as shown and as it is explained on page 4.

Hardware:

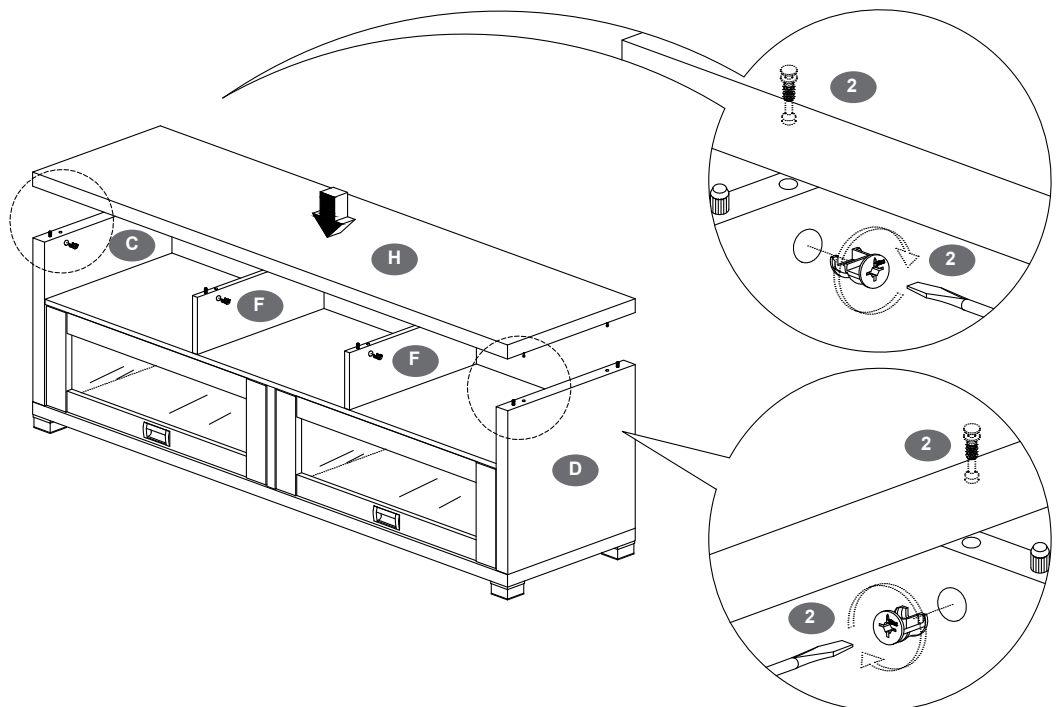
2



x8



Scan QR Code to view this step



STEP 14**Hardware:**

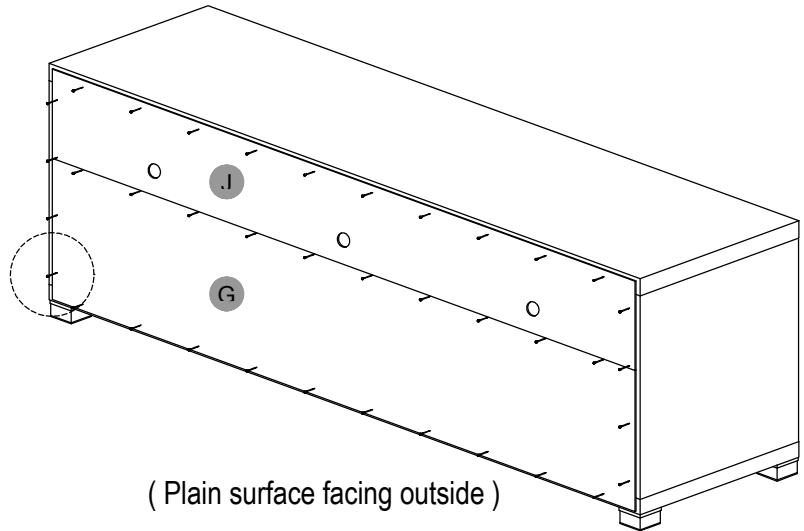
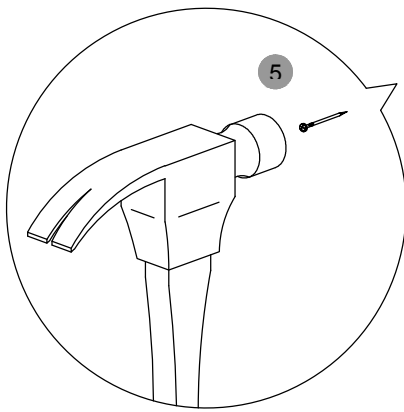
5



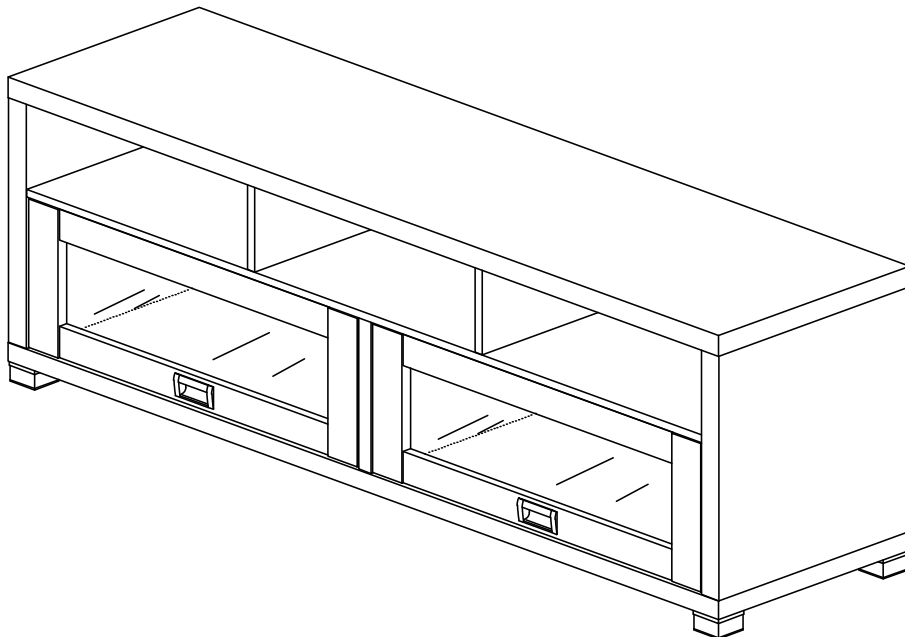
x50

Scan QR Code to
view this step

Assemble the back panels (G) and (J) with their finished surfaces facing towards the inside of the stand, using Nails (5) as shown. The plain surfaces will face the outside.

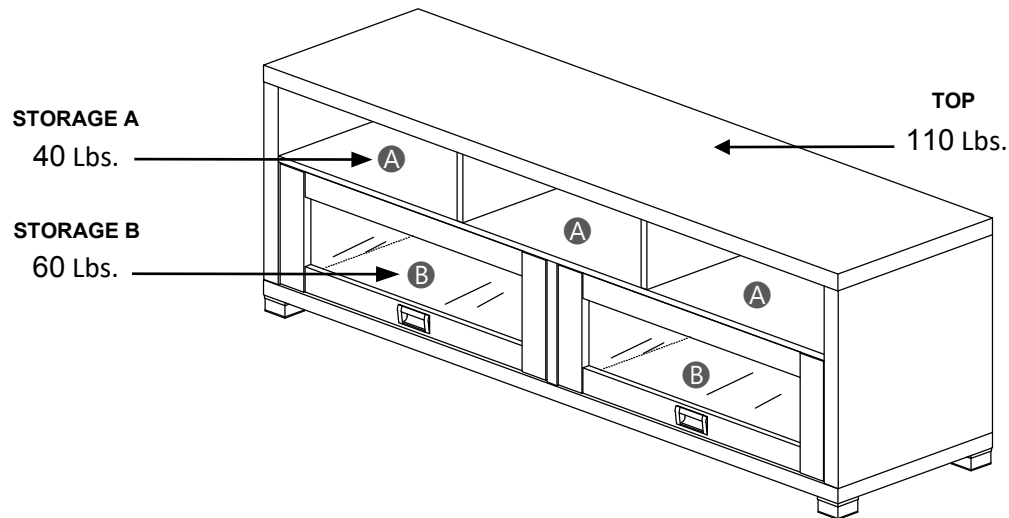
**FINAL STEP****ALL DONE!**

Give yourself a nice pat on the back. You did a great job!



AFTER THE ASSEMBLY IS DONE, PLEASE READ CAREFULLY THE FOLLOWING WARNINGS FOR CARE AND MAINTENANCE:

WEIGHT LIMITS



- Do not exceed the indicated weight limits.
- Do not expose the surfaces to direct sunlight or to extreme environmental conditions. Damages caused by this kind of exposure is not covered by the product's warranty.
- Clean the surfaces preferable with a clean cloth damped in a solution of mild soap and water, then dry with a clean towel.
- Do not use solvents or abrasive materials to clean the unit. Damaged caused by the use of solvents or abrasive materials are not covered by the product's warranty.
- If you decide to use a cleaning agent, test first on an area hidden from view such as underneath the tabletop.
- Do not seat on the unit or lean against it.
- The unit must be handled by at least 2 persons when moving in the same or adjacent rooms.
- Before moving the unit, make sure to remove any object that is heavy or might fall off. Please note that lifting from the tabletop with too much weight on the product might lead to part damage/separation.
- When lifting the unit, use both hands and bend your knees, not your backs.
- When transporting the unit to places far away, protect and secure the unit to avoid damage in transit. You may also disassemble it partially.
- Shall any part of the unit become defective during the warranty period, replacement parts might be available to you at no charge. Please refer to the WARRANTY card included with the product.
- The warranty does not extend to regular wear and tear, nor the manufacturer assumes liability for damages or consequences due to accidents, incorrect assembly, negligence, improper use, modifications, or not heeding the above warnings.