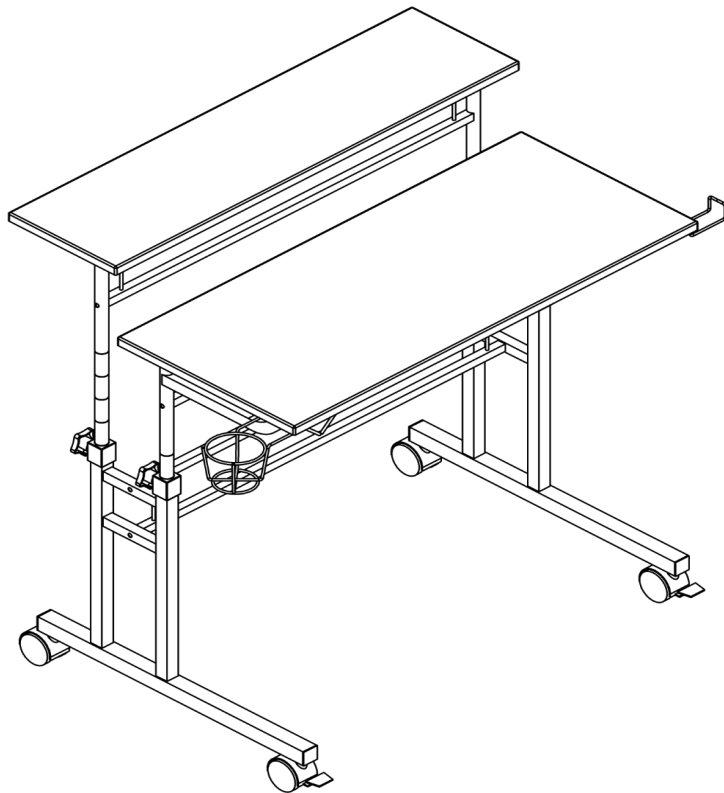


MODEL RTA-3800SU

ASSEMBLY INSTRUCTIONS

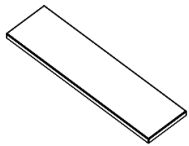
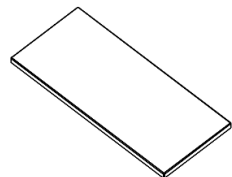
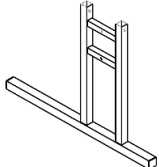
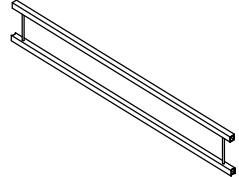
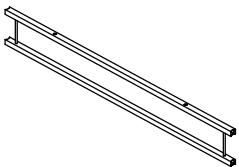
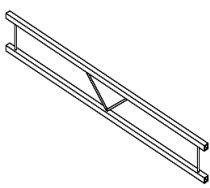

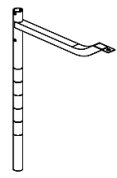
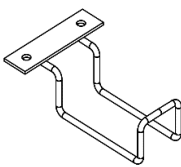
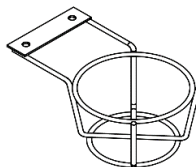
Thank you for purchasing one of our products.
Please read carefully the assembly instructions before the installation.
Do not discard this manual or any of the packaging material until the unit
has been completely assembled.








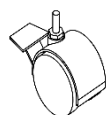
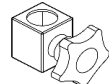
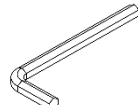

By



MAIN PARTS LIST

1 x1 Back tabletop 	2 x1 Front tabletop 	3 x2 Metal leg 	4 x1 Back structure 
5 x1 Front structure 	6 x1 Central structure 	7 x2 Back lift structure 	8 x2 Front lift structure 
9 x1 Headphone hanger 	10 x1 Cup holder 		

HARDWARE

A x12 M6x38mm 	B x4 M6x32mm 	C x2 M6x25mm 	D x6 M4x12mm 	E x2 Non-locking casters 
F x2 Locking casters 	G x4 sets Cover and screw knob, SET 	H x1 Allen wrench 	I x1 Cone wrench (spanner) 	

BEFORE YOU START THE ASSEMBLY, PLEASE READ THE FOLLOWING TIPS AND WARNINGS.

1 Do a quick inventory to make sure the package contains all the parts and hardware listed in the assembly instructions.



2 Missing, damaged and defective parts can be replaced at no cost to you. Please refer to the CONTACT card included with the product.



3 The replacement parts service is limited to the continental United States. If you reside in Hawaii, Puerto Rico, U.S. Dependencies or other countries, please contact the supplier from where the unit was purchased.



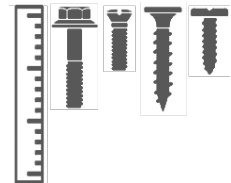
4 If during assembly you find an issue or need clarification, please contact our Customer Service for assistance. Please refer to the CONTACT card included with the product.



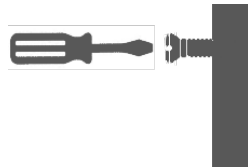
5 On each step read the instructions and analyze the illustrations thoroughly before proceeding to do the assembly.



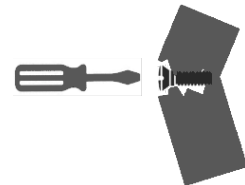
6 Make sure you understand which hardware will be used on each step. Using the wrong size of screw, bolt or pin might strip the threads or cause damage to the part in which it is being used.



7 To avoid misalignments, always leave the screws loose and tighten them until all pieces are positioned correctly.



8 Do not overtighten or force the screws as they might break, strip, damage the threads of the holes or get stuck inside the part.



9 Sometimes the laminate might cover partially or entirely the hole on a panel. If there is no visible hole for the screw, pass and press the tip of your finger over the area where the hole should be located to feel the indentation, and once found, carefully pierce the laminate to reveal the hole underneath.



10 If the hole seems too small for the screw, first make sure you are using the correct size of screw and that it's been installed in the correct hole. If the hole still appears to be too small, carefully pierce the laminate to reveal the hole's actual size.



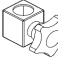



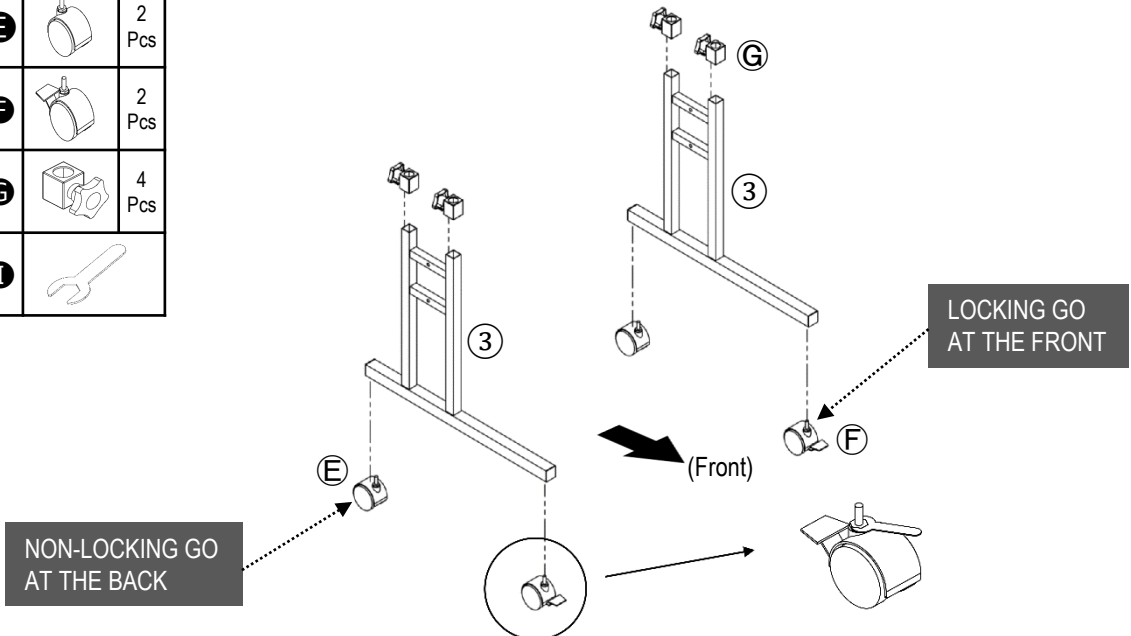
ASSEMBLY STEPS

STEP 1

First install the non-locking casters **E** at the back of the legs, and the locking casters **F** at the front using the cone wrench (spanner) as shown. Then attach the covers/knobs sets **G** to the top of the legs **3**, but leave them loose.

Hardware/Tools:



E		2 Pcs
F		2 Pcs
G		4 Pcs
I		

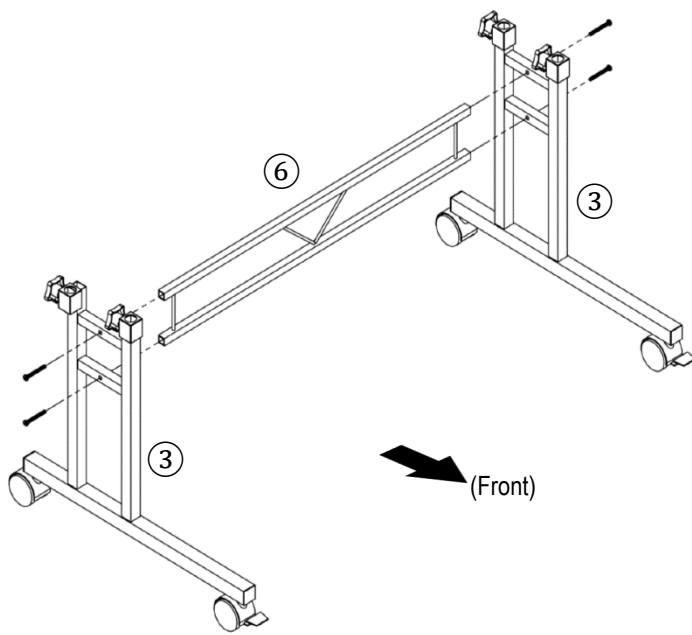


STEP 2

Assemble the central structure **6** in between the legs **3** using screws **A** as shown.

Hardware/Tools:



A	 M6x38mm	4 Pcs
H		

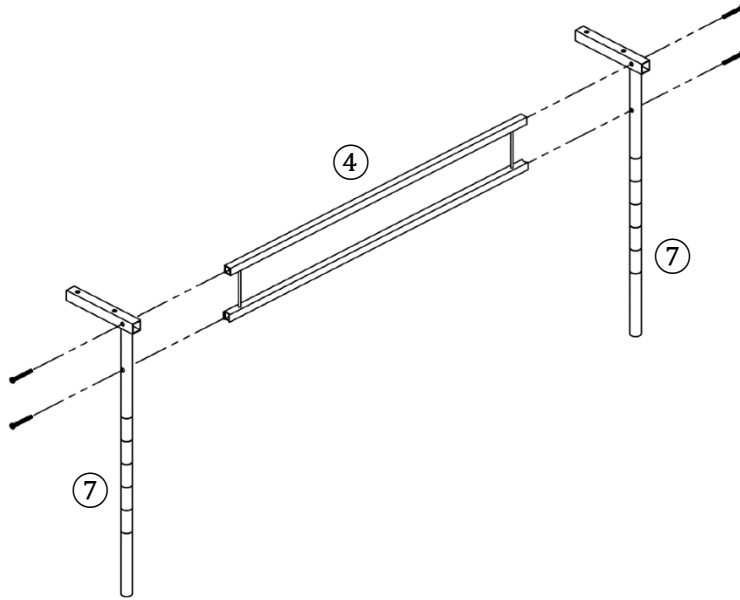


STEP 3

Assemble the back structure ④ to the back lift structures ⑦ using screws ① as shown.

Hardware/Tools:



①		4 Pcs
②		

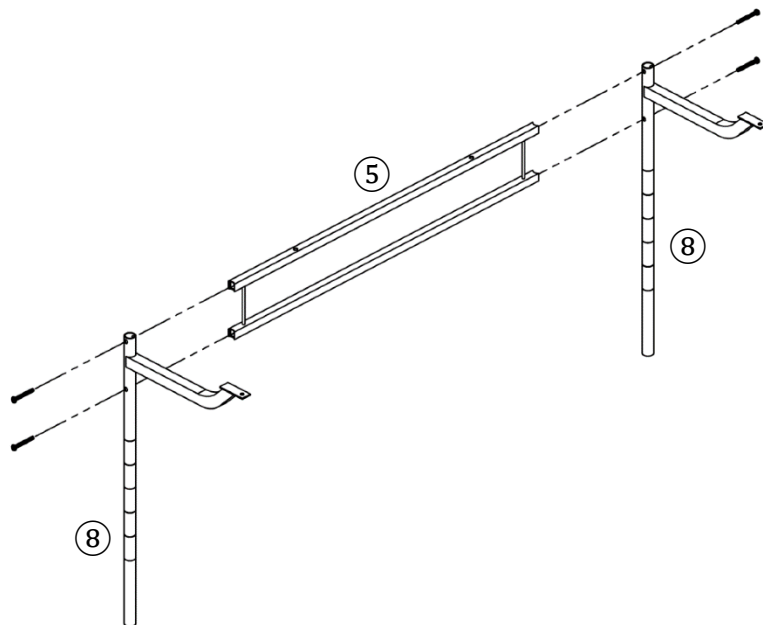


STEP 4

Assemble the front structure ⑤ to the front lift structures ⑧ using screws ① as shown.

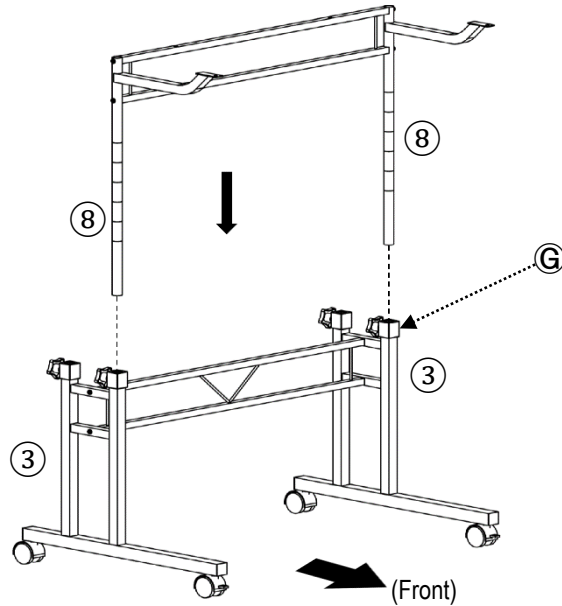
Hardware/Tools:

①		4 Pcs
②		



STEP 5

First make sure the covers and screw knobs ⑥ are loose, then insert the front lift structures ⑧ thru the covers and into the legs ③, but DO NOT TIGHTEN the screw knobs yet.






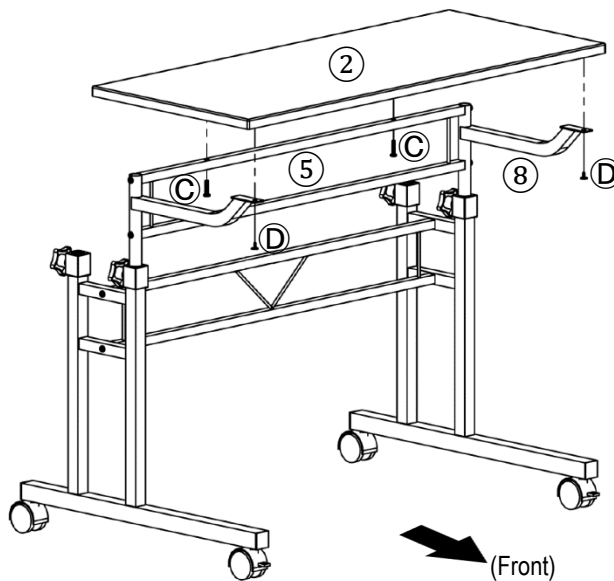
STEP 6

Assemble the front tabletop ② to the frame using:

- Screws ③ to secure it to the front structure ⑤ from underneath,
- Screws ④ to secure it to the front lift structures ⑧ from underneath.

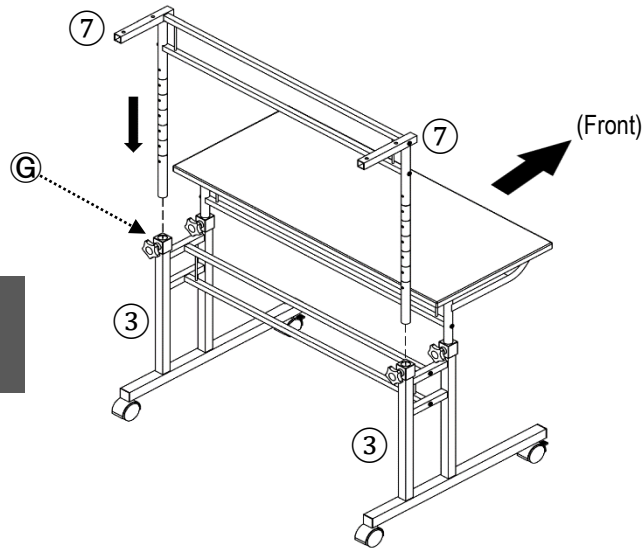
Hardware/Tools:

③		2 Pcs
	M6x25mm	
④		2 Pcs
	M4x12mm	
⑤		



STEP 7

First make sure the covers and screw knobs ⑥ are loose, then insert the back lift structures ⑦ thru the covers and into the legs ③, but DO NOT TIGHTEN the screw knobs yet.





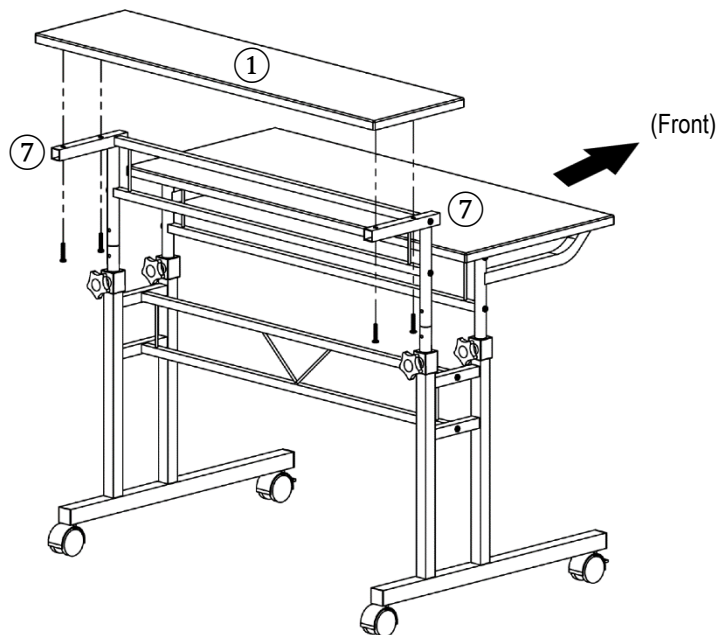
Unit is shown from behind with its front facing to the right.

STEP 8

Assemble the back tabletop ① to the back lift structures ⑦ using screws ② as shown.

Hardware/Tools:

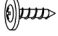

②		4 Pcs
③		

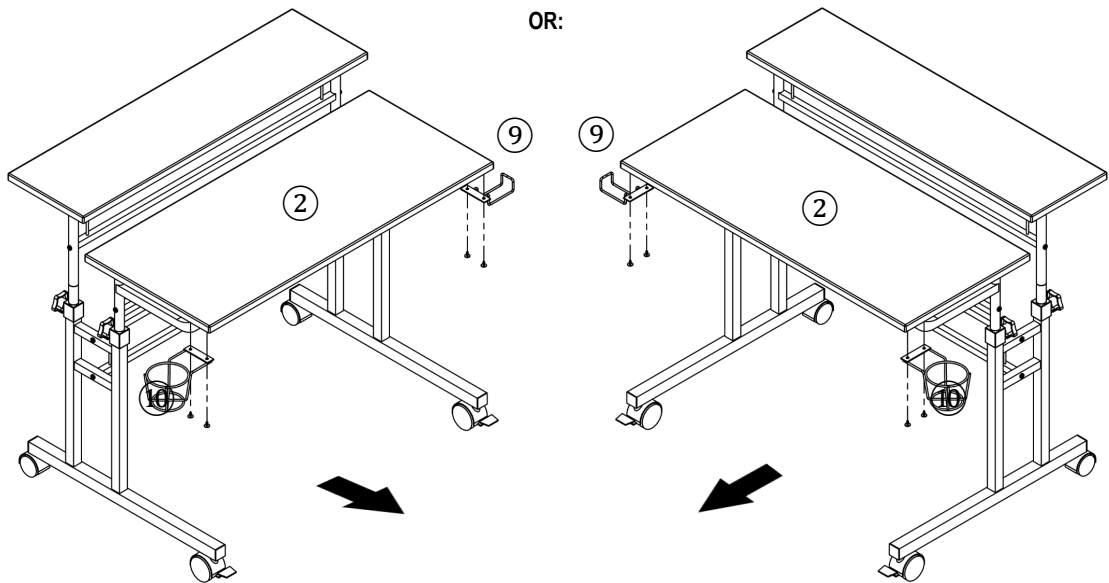


STEP 9

Assemble the headphone hanger (9) and the cup holder (10) to the front tabletop (2) on the sides of your preference using screws (D) from underneath as shown.

Hardware/Tools:

D		4 Pcs
H		

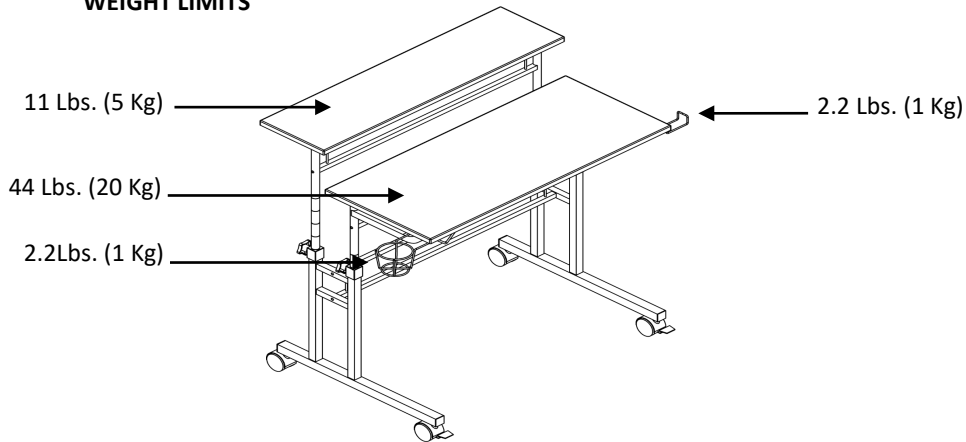


Finally, set the tabletops to the height of your preference, and proceed to tighten all the screw knobs (G).

DONE! Before you start using the unit, make sure that all the screws and screw knobs are properly tightened, and read all the warnings in the next page.

AFTER THE ASSEMBLY IS DONE, PLEASE READ CAREFULLY THE FOLLOWING CARE AND MAINTENANCE WARNINGS:

WEIGHT LIMITS



- Do not exceed the indicated weight limits.
- Do not use the unit as a step ladder.
- Do not expose the surfaces to direct sunlight or to extreme environmental conditions.
- Clean the surfaces preferable with a clean cloth damped in a solution of mild soap and water, then dry with a clean towel.
- Do not use solvents or abrasive materials to clean the unit.
- If you decide to use a cleaning agent, test first on an area hidden from view such as underneath the tabletops.
- Do not seat on the unit or lean against it.
- Do not allow small children to use or move the unit.
- Keep the unit with the casters locked at all times, except when needing to move it around.
- Before moving the unit, make sure that the front locking casters are unlocked.
- Keep all objects secured on the tabletops when moving the unit.
- Shall any part of the unit become defective during the warranty period, replacement parts might be available to you at no charge. Please refer to the WARRANTY card included with the product.
- The warranty does not extend to regular wear and tear, nor the manufacturer assumes liability for damages or consequences due to accidents, incorrect assembly, negligence, improper use, modifications, or not heeding the above warnings.
- The warranty is limited to the continental United States. If you reside in Hawaii, Puerto Rico, U.S. Dependencies or other countries, please contact the supplier from where the unit was purchased.