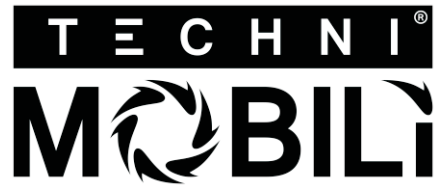


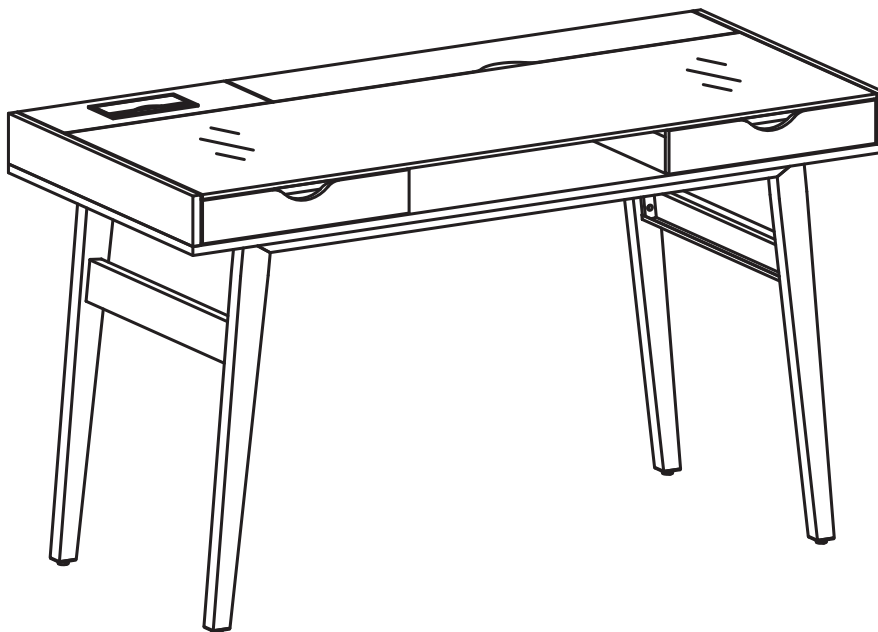
English

ASSEMBLY INSTRUCTIONS



MODEL RTA - 2335

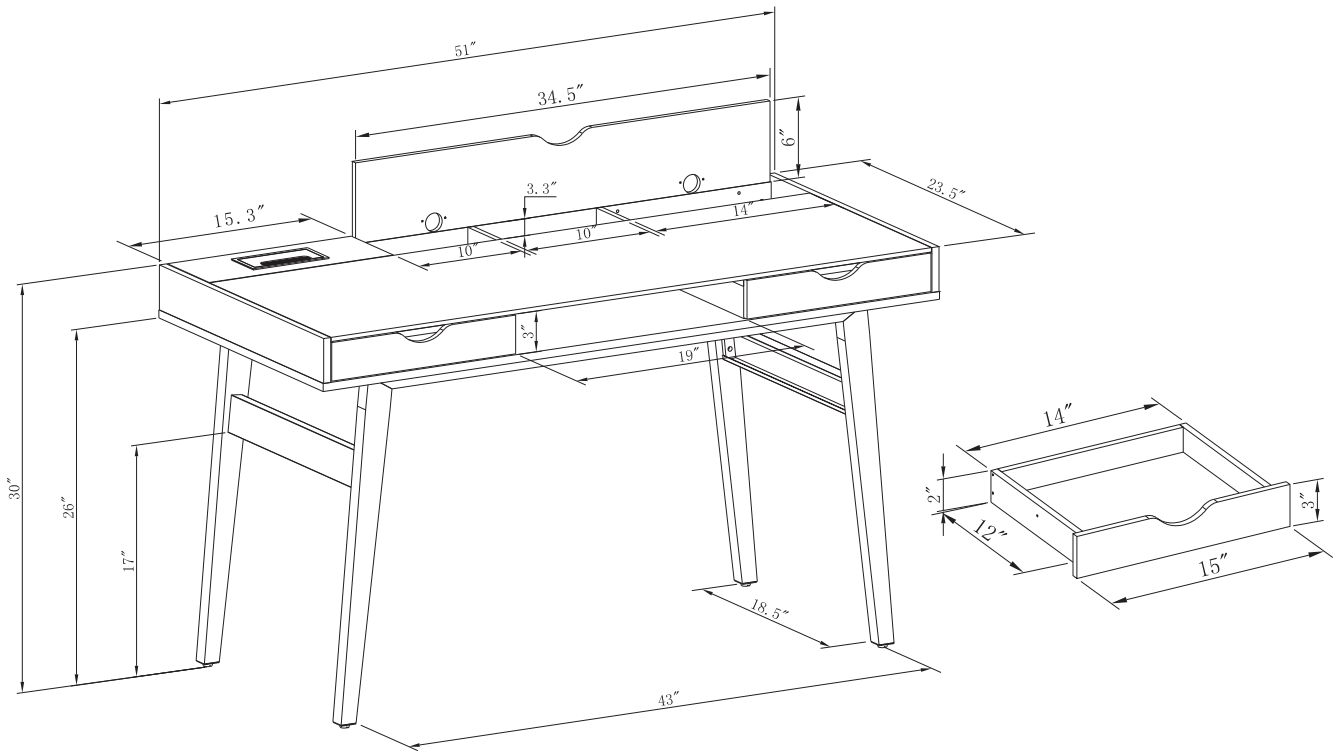
Thanks for purchasing one of our products.
Please read carefully the assembly instructions before the installation.
Please save this manual for future reference.



MODEL RTA-2335

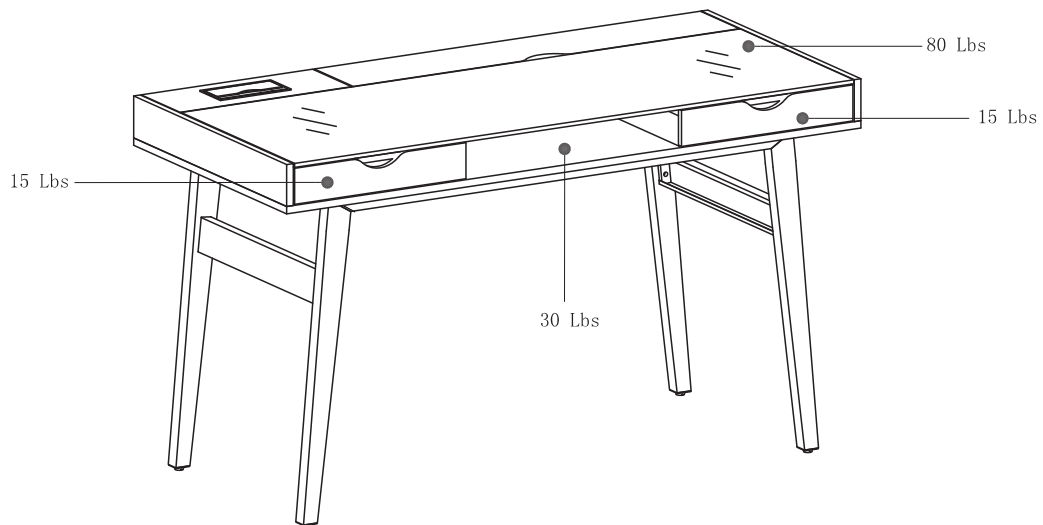
RTA-2335

DIMENSIONS



Product Size: 51"W x 23.5"D x 30"H

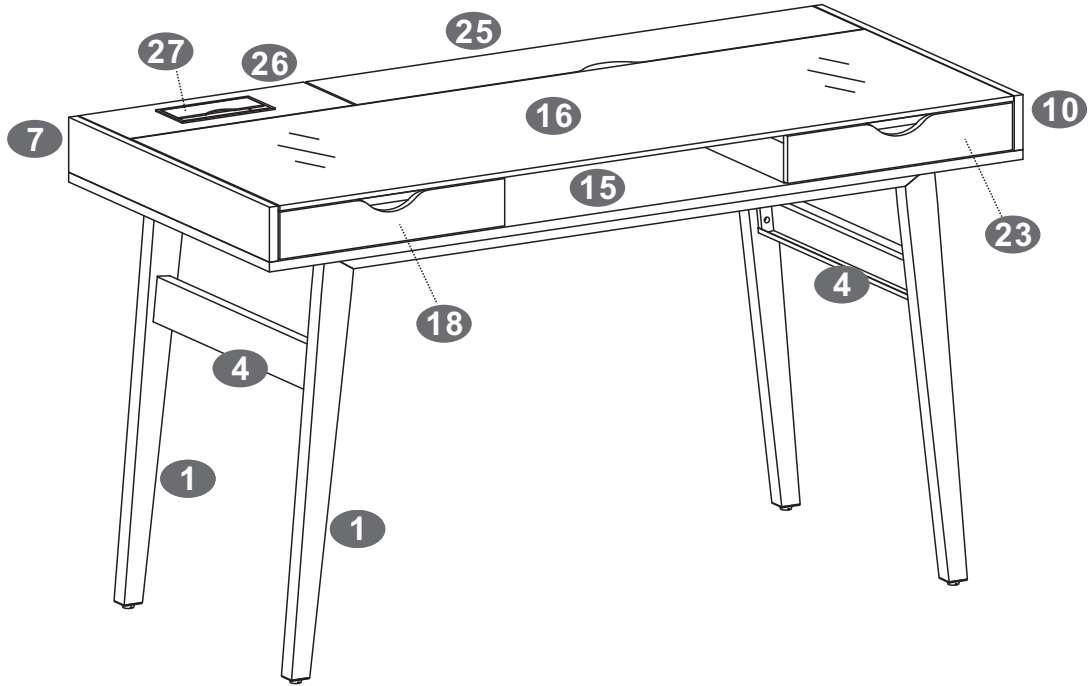
MAXIMUM WEIGHT CAPACITIES

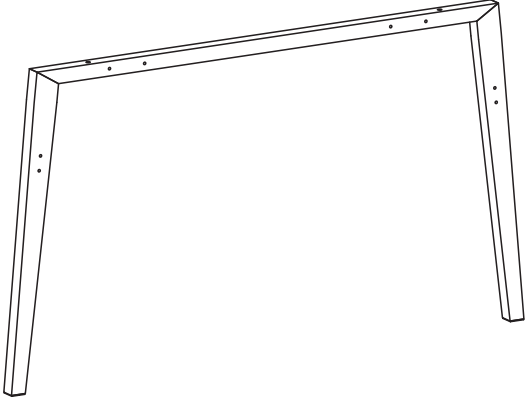

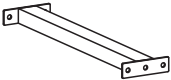
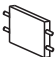


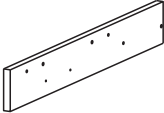
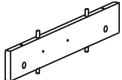


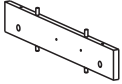
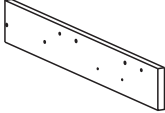

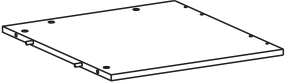
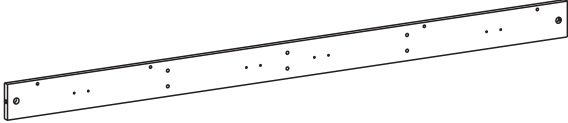
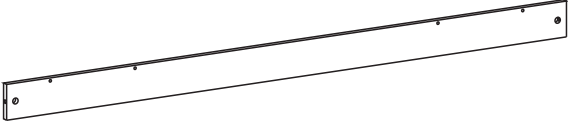
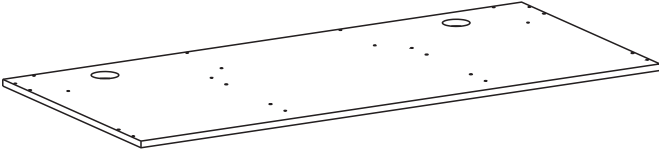
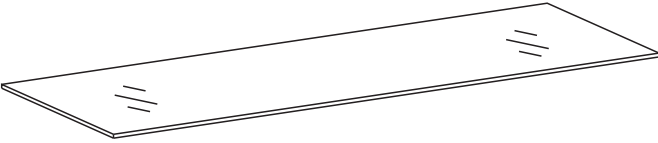
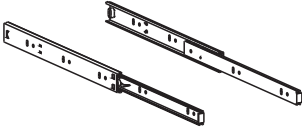
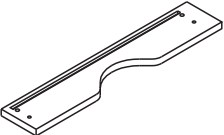
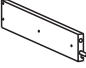
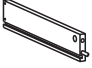


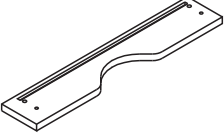

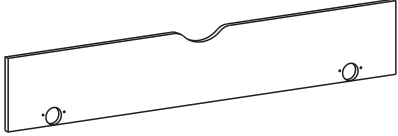
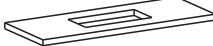

DO NOT exceed this limit
Please use care and good judgement
when placing objects on wood surface



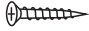

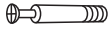

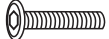
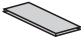




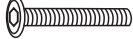
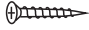
▪ PARTS LIST



 <p>1</p> <p>X2</p> <p>▪ Main Structure</p>	 <p>2</p> <p>▪ Short Grommet</p>		
 <p>5</p> <p>X2</p> <p>▪ Connect Tube</p>	 <p>6</p> <p>X3</p> <p>▪ Connect Panel</p>	 <p>3</p> <p>X4</p> <p>▪ Studs</p>	 <p>4</p> <p>X2</p> <p>▪ Side Structure</p>
		 <p>7</p> <p>▪ Left Panel</p>	 <p>8</p> <p>▪ Left Support Panel</p>

<p>9</p>  <p>▪ Right Support Panel</p>	<p>10</p>  <p>▪ Right Panel</p>	<p>11</p>  <p>▪ Left Top Panel</p>	<p>12</p>  <p>▪ Right Top Panel</p>
<p>13</p>  <p>▪ Back Panel</p>		<p>14</p>  <p>▪ Middle Support Panel</p>	
<p>15</p>  <p>▪ Bottom Panel</p>		<p>16</p>  <p>▪ Glass Top</p>	
<p>17</p>  <p>X2 SETS ▪ Slider</p>	<p>18</p>  <p>▪ Left Drawer Front Panel</p>	<p>19</p>  <p>X2 ▪ Drawer Left Panel</p>	<p>20</p>  <p>X2 ▪ Drawer Right Panel</p>
<p>21</p>  <p>X2 ▪ Drawer Bottom Panel</p>	<p>22</p>  <p>X2 ▪ Drawer Back Panel</p>	<p>23</p>  <p>▪ Right Drawer Front Panel</p>	<p>24</p>  <p>X2 ▪ Hinges</p>
<p>25</p>  <p>▪ Long Top Panel</p>		<p>26</p>  <p>▪ Short Top Panel</p>	<p>27</p>  <p>▪ Long Grommet</p>

▪SCREWS LIST

PART	QTY.	ITEM		PART	QTY.	ITEM	
A	8	3X15 MM		H	8	6X12 MM	
B	20	6X25 MM		I	4		
C	8	6X25 MM		J	8	Adhesive Foam Tape	
D	8	4X35 MM			1		
E	16	5X40 MM			1		
F	4	6X40 MM					
G	16	3X12 MM					

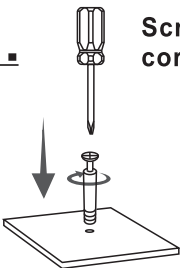
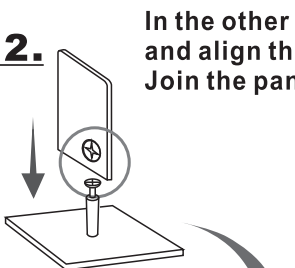
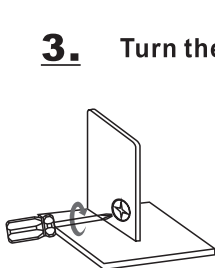
HOW TO ASSEMBLE USING BOLTS AND CAM LOCKS:



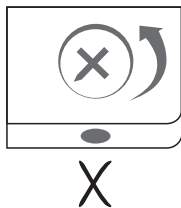
▪ Cam bolt



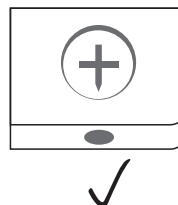
▪ Cam lock

- 1.**  Screw the bolt into the corresponding panel.
- 2.**  In the other panel, insert and align the cam lock. Join the panels.
- 3.**  Turn the cam lock.

If the panel already comes with the cam lock inserted, make sure is aligned:



MISALIGNED:
TURN CAM LOCK
TO POINT TOWARDS
THE HOLE

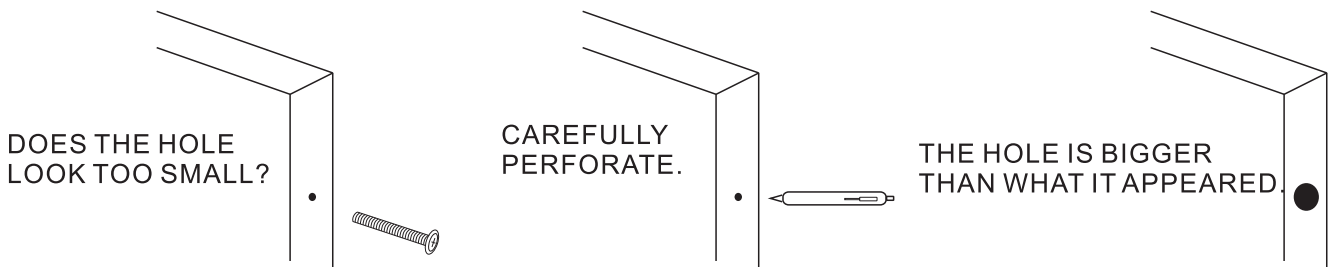


CORRECT

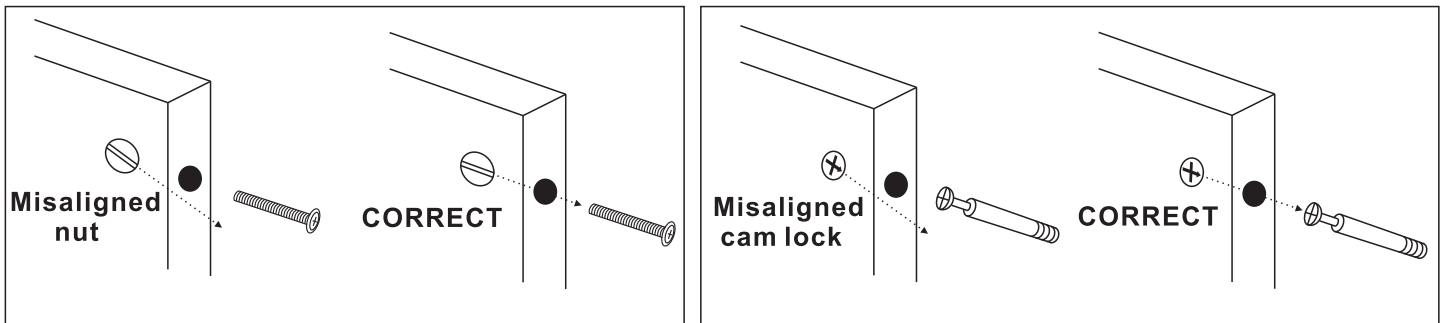


GENERAL ASSEMBLY TIPS AND TROUBLESHOOTING DURING ASSEMBLY:

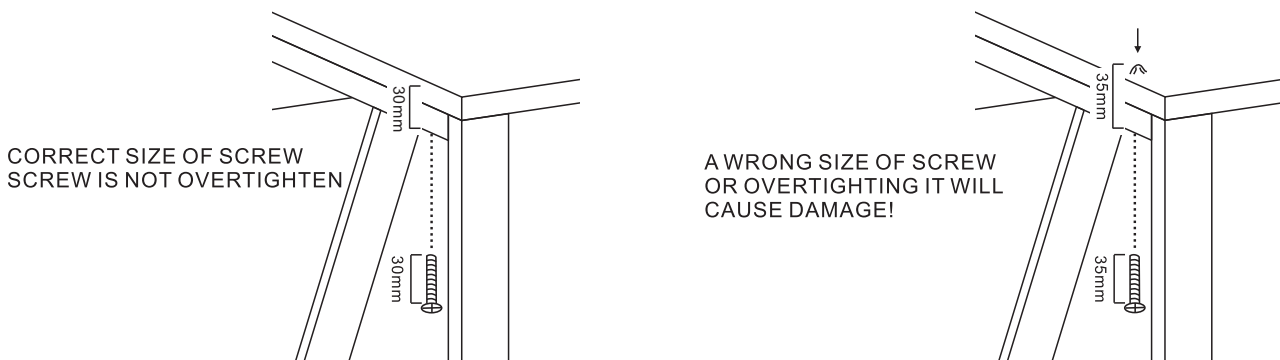
- *Before you start assembling, make sure you have all the parts and necessary hardware by doing a quick inventory.**
- *Follow the assembly instructions step by step, and do not skip any unless advised to do so by RTA PRODUCTS' Customer Service.**
- *On each step, and to avoid misalignments, always leave screws loose, and do not tighten them until all are in place.**
- *In wood panels, the laminate might be covering the holes.**
If there are no visible holes: Pass the tip of your finger around the area where the hole should be, and press against the surface to feel the indentation.
If the hole looks too small for the screw or bolt: carefully perforate the laminate with the tip of a pen.



- *In wood panels, some might have inserts that look like screws. Those inserts are either nuts or cam locks. Make sure they are aligned to receive the screws or bolts.**

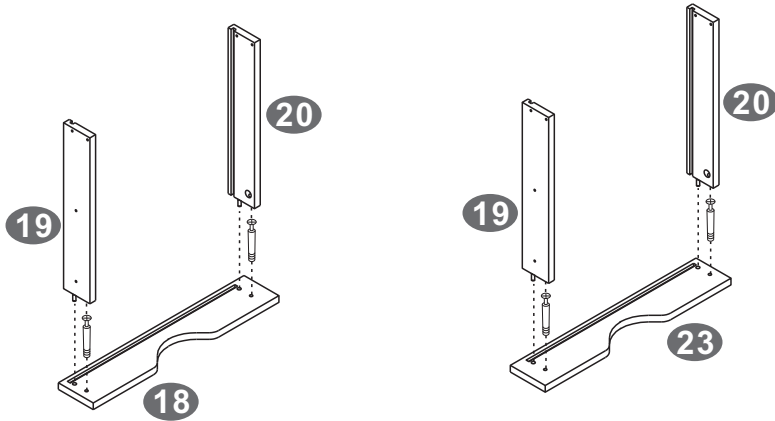


- *Make sure to use the correct screws or bolts, and do not overtighten them. Using wrong screws or overtightening them might cause damage to the parts, and such damage is not covered by the product's warranty.**

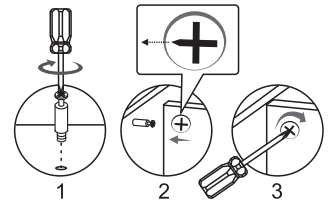


▪ ASSEMBLY STEPS:

1



▪ First screw bolts B to the Left & Right Drawer Front Panels (18 & 23), then assemble the Drawer Left & Right Panels (19 & 20) as explained in page 5.



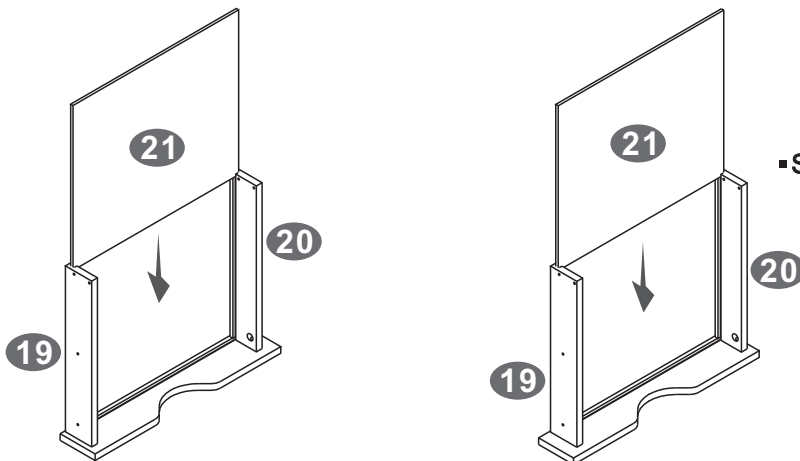
▪ SCREWS

B 6X25 MM

4PCS

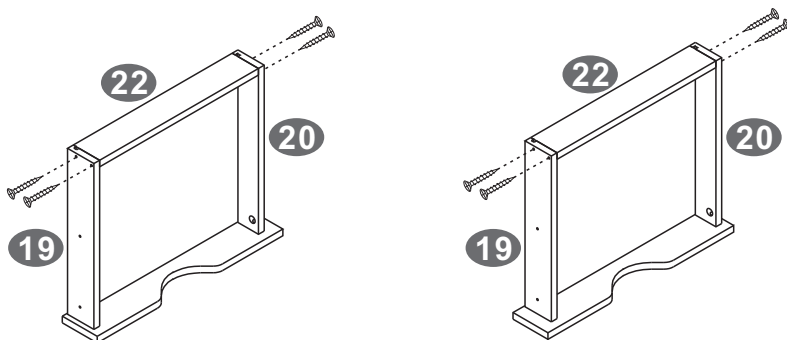


2



▪ Slide in the Drawer Bottom Panel (21).

3



▪ Use screws D to assemble the Drawer Back Panels (22) to the Drawer Left and Right Panels (19 & 20).

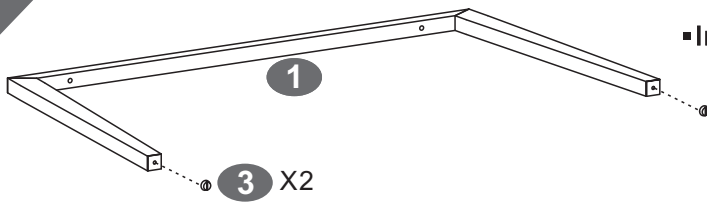
▪ SCREWS

D 4X35 MM

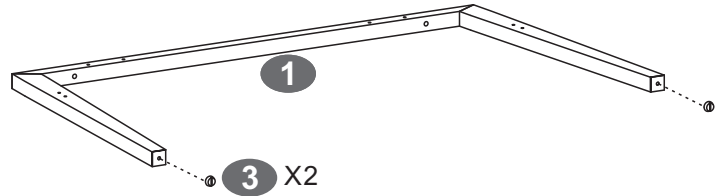
8PCS



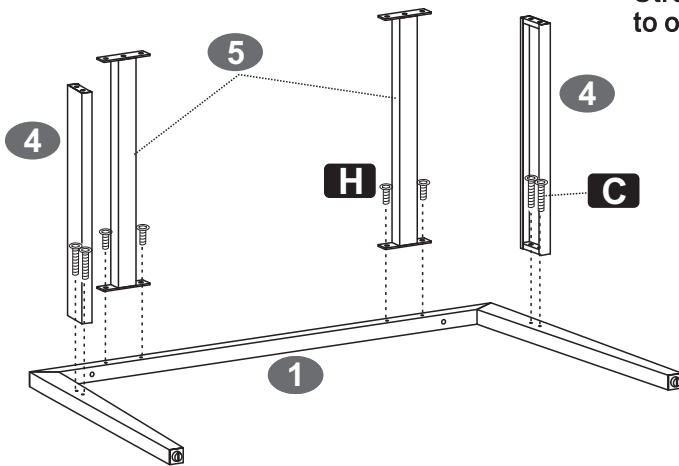
4



▪ Insert the Studs (3) to the Main Structures (1).



5



▪ Use screws C & H to assemble the Side Structures (4) and the Connect Tubes (5) to one of the Main Structures (1).

▪ SCREWS

C 6X25 MM

 4PCS

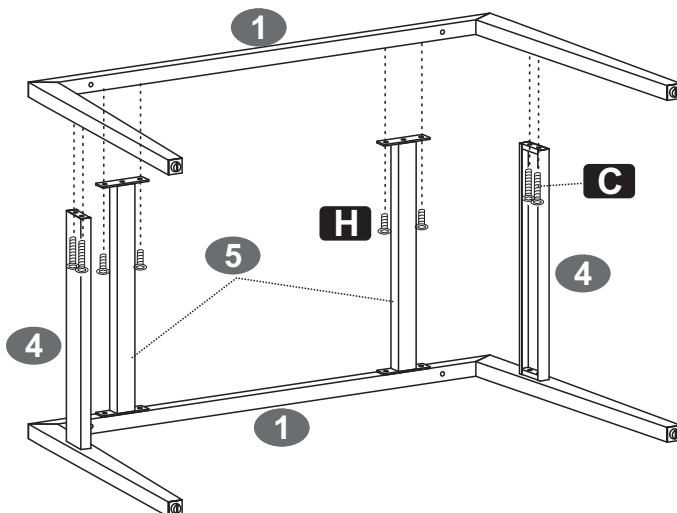


H 6X12 MM

 4PCS



6



▪ Use screws C & H to assemble the Side Structures (4) and the Connect Tubes (5) to the other Main Structure (1).

▪ SCREWS

C 6X25 MM

 4PCS

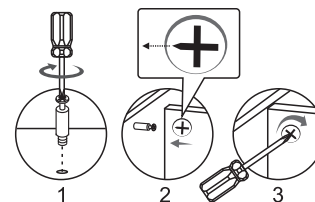
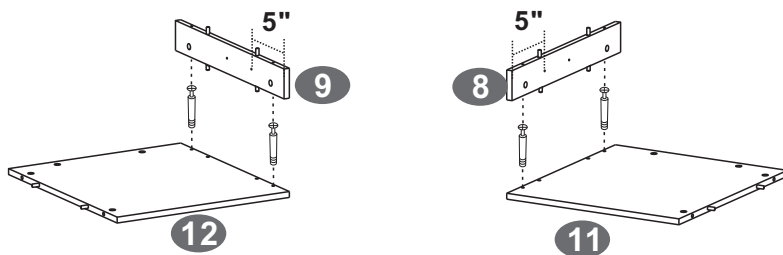


H 6X12 MM

 4PCS



7



▪ First screw bolts B to the Left & Right Top Panels (11 & 12), then assemble the Left & Right Support Panels (8 & 9) as explained in page 5. Please pay attention to the direction of panel 8 & 9.

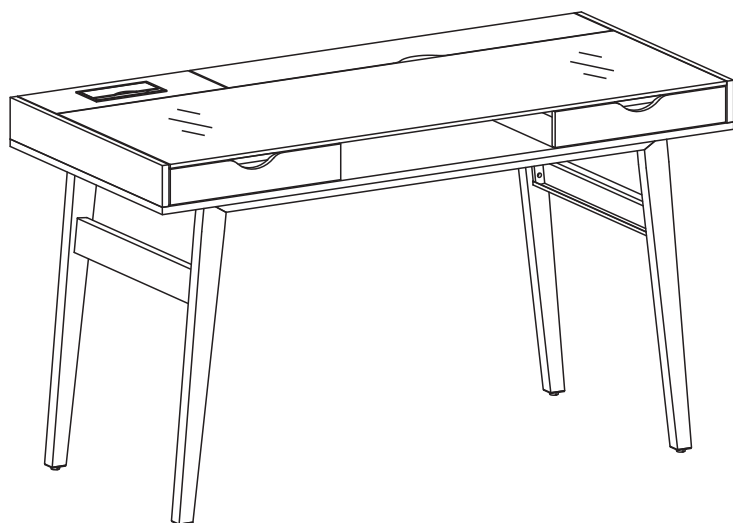
▪ SCREWS

B 6X25 MM

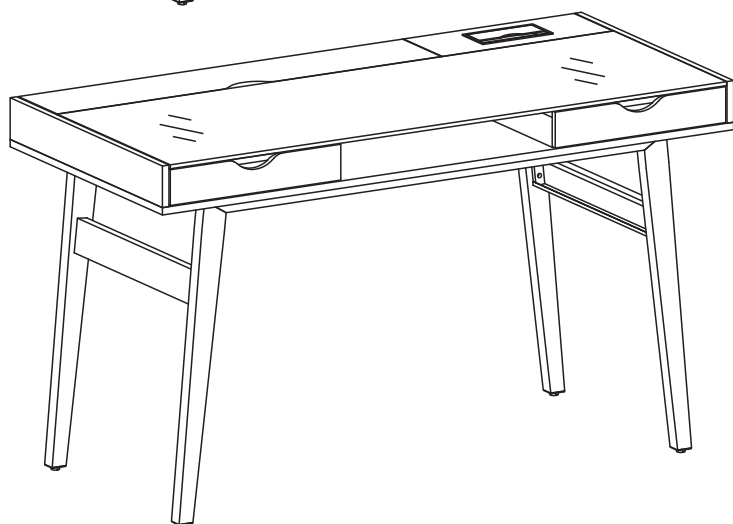
4PCS



** There are 2 options to assemble our desk, please choose it according to your preference.

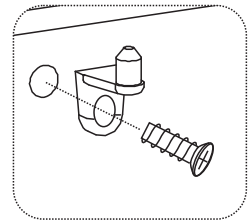
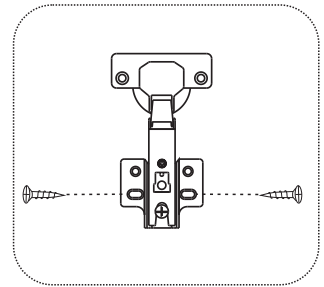
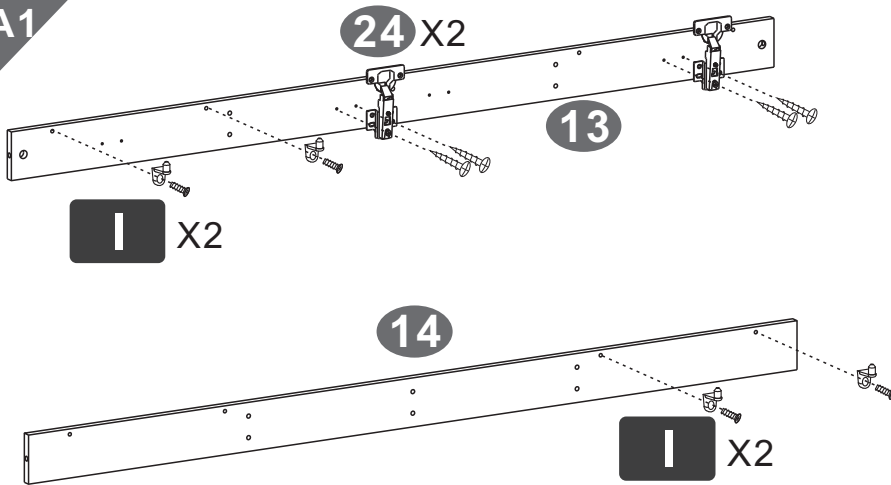


Please follow Step A1-A3, 8-16



Please follow Step B1-B3, 8-16

A1



▪ Use screws A to assemble the Hinges (24) to the Back Panel (13). Assemble screws I to the Back Panel (13) and Middle Support Panel (14) as shown. Please pay attention to the correct position of the parts on both panels.

▪ SCREWS

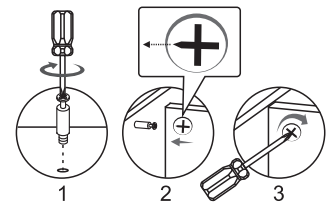
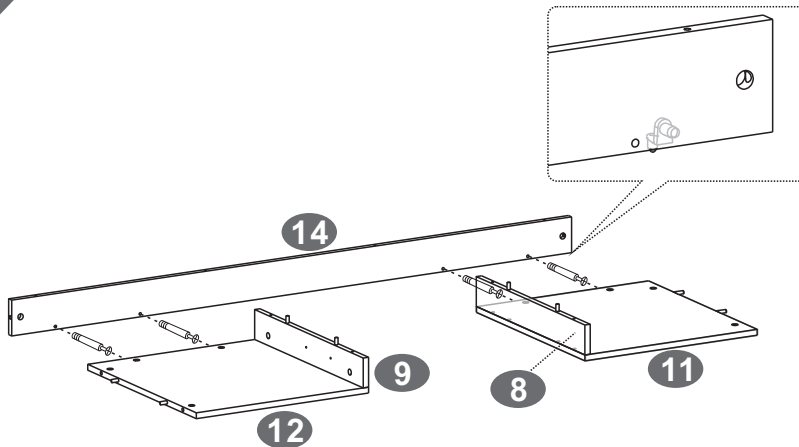
A 3X15 MM

4PCS

I

4PCS

A2



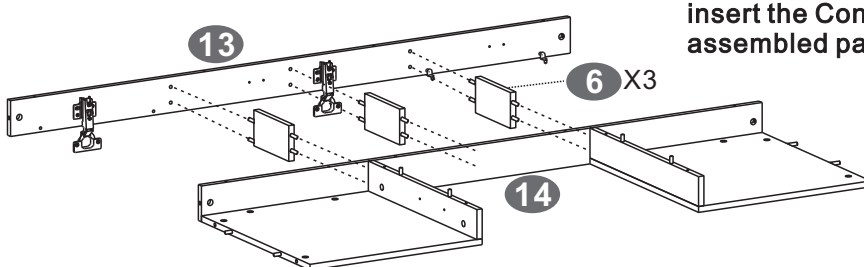
▪ SCREWS

B 6X25 MM

4PCS

▪ First screw bolts B to the other side of the Middle Support Panel (14) as shown, then assemble the Left & Right Top Panels (11 & 12) as explained in page 5.

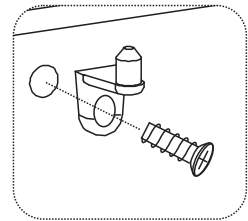
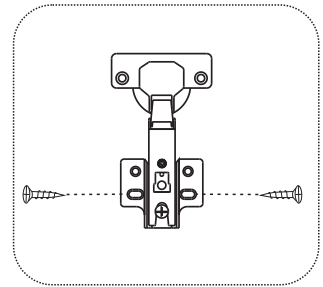
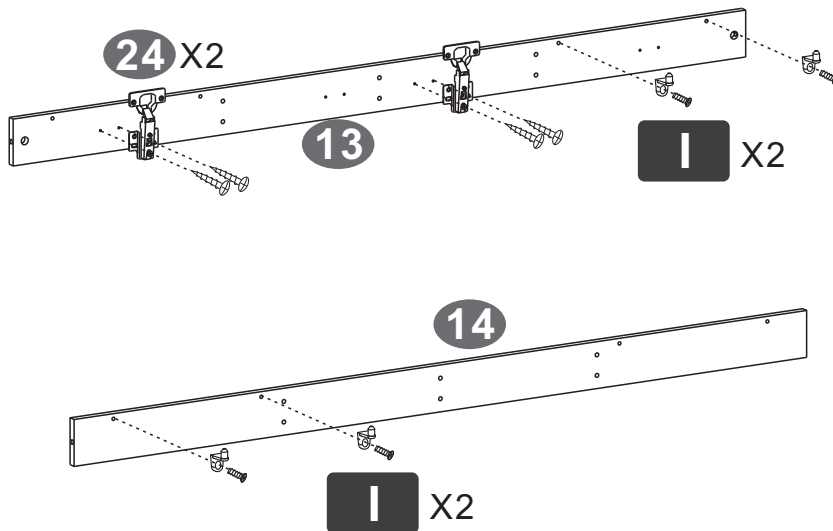
A3



▪ Turn the assembled Back Panel (13) upside-down, insert the Connect Panels (6) between it and the assembled part in step A2.

FOLLOW STEP 8 - 16 TO FINISH THE DESK.

B1



SCREWS

A 3X15 MM

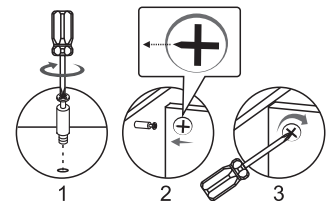
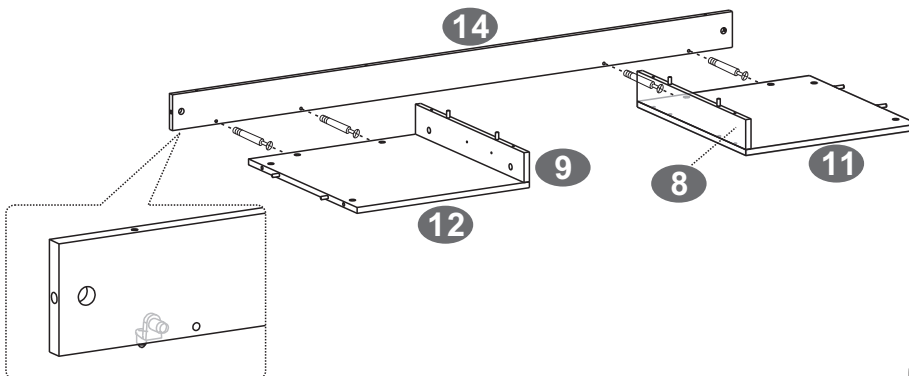
4PCS

I

4PCS

- Use screws A to assemble the Hinges (24) to the Back Panel (13). Assemble screws I to the Back Panel (13) and Middle Support Panel (14) as shown. Please pay attention to the correct position of the parts on both panels.

B2



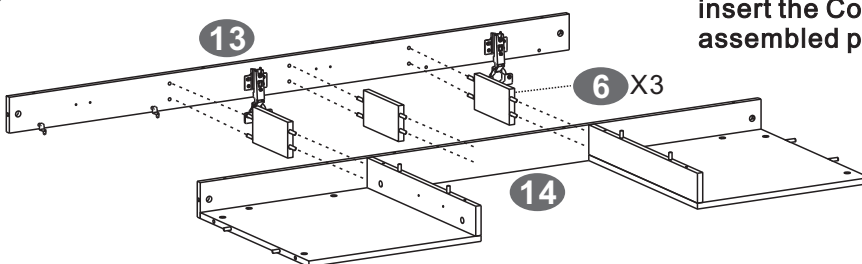
SCREWS

B 6X25 MM

4PCS

- First screw bolts B to the other side of the Middle Support Panel (14) as shown, then assemble the Left & Right Top Panels (11 & 12) as explained in page 5.

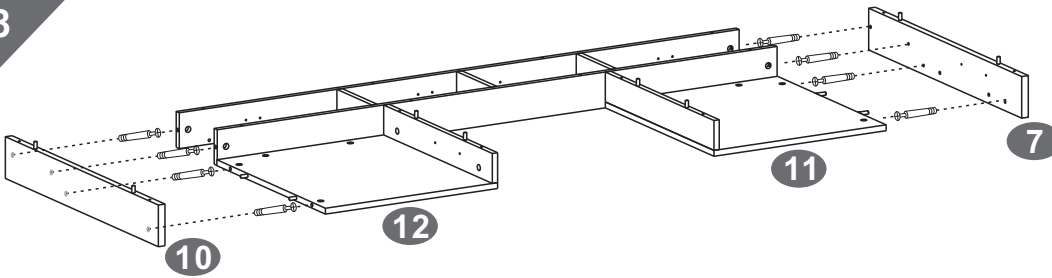
B3



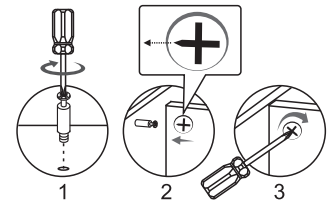
- Turn the assembled Back Panel (13) upside-down, insert the Connect Panels (6) between it and the assembled part in step A2.

FOLLOW STEP 8 - 16 TO FINISH THE DESK.

8



▪ First screw bolts B to the Left and Right Panels (7 & 10), then assemble the Left and Right Panels (7 & 10) to the assembled part in step A3/B3 as explained in page 5.



▪ SCREWS

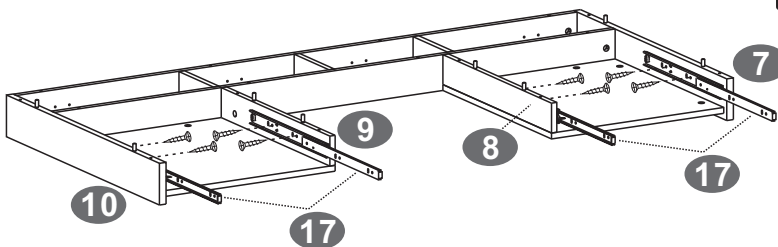
B 6X25 MM

8PCS

9



▪ Use screws G to assemble the Sliders (17) to the Left and Right Panels (7 & 10).



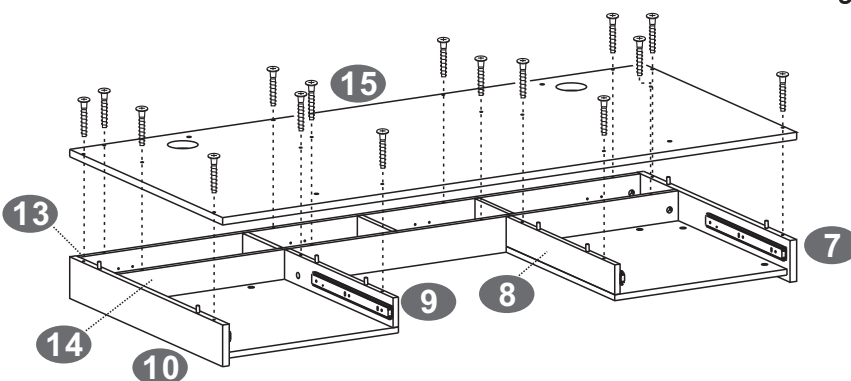
▪ SCREWS

G 3X12 MM

8PCS

10

▪ Use screws E to assemble the Bottom Panel (15).
ATTENTION: To avoid misalignments, screw loose and do not tighten them until all are in place!

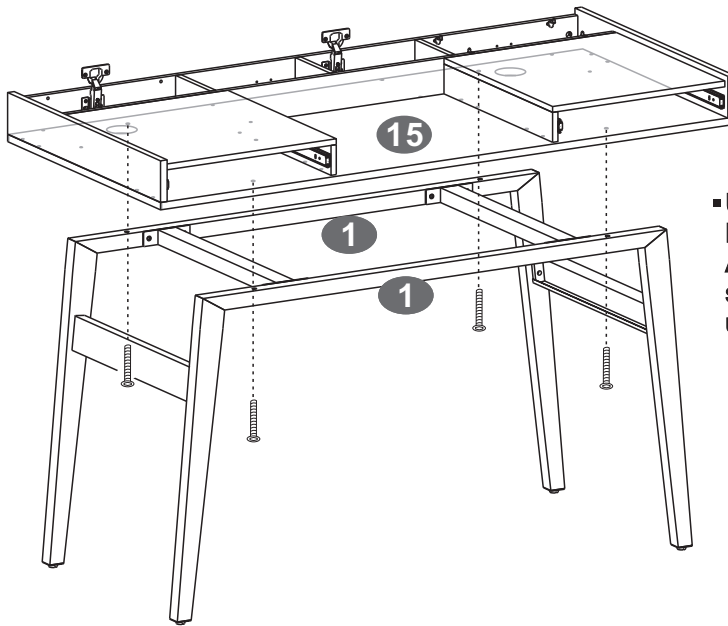


▪ SCREWS

E 5X40 MM

16PCS

11



▪ Use screws F to assemble the Bottom Panel (15) to the Main Structures (1).
ATTENTION: To avoid misalignments, screw loose and do not tighten them until all are in place!

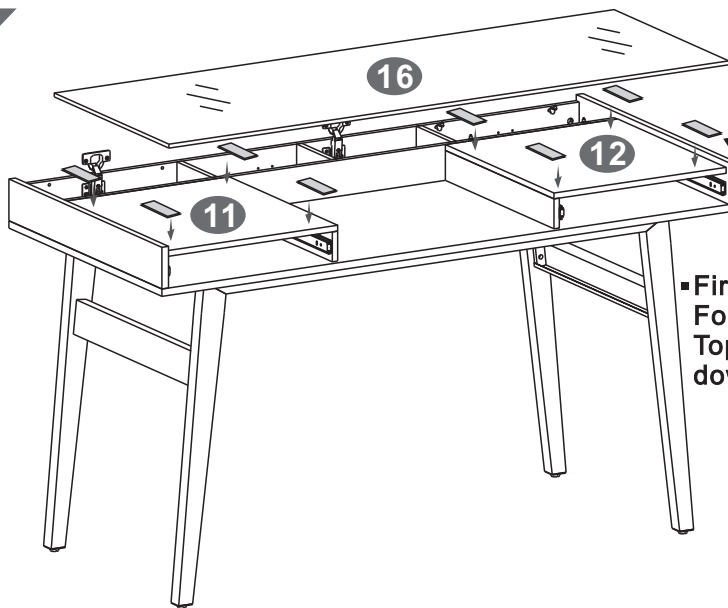
▪ SCREWS

F 6X40 MM

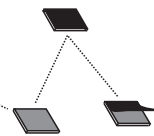
 4PCS



12

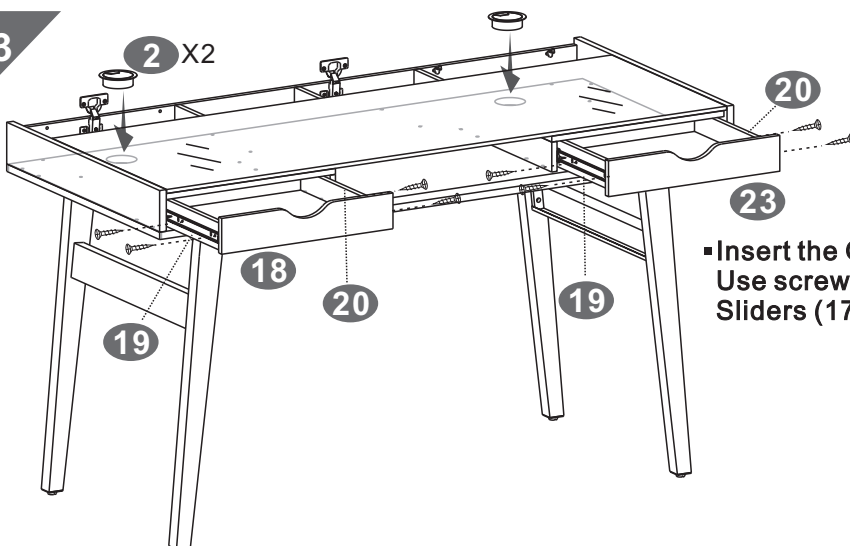


J X8



▪ First tear off the protective film of the Adhesive Foam Tapes (J), stick them to the Left and Right Top Panels (11 & 12) as shown, then carefully lay down the Glass Top (16).


13



▪ Insert the Grommets (2) to the Bottom Panel (15). Use screws G to assemble the drawers to the Sliders (17).

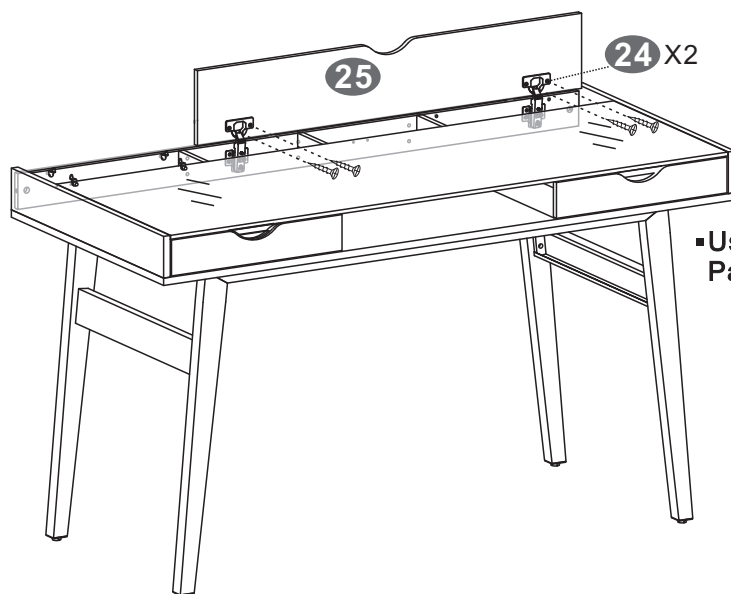
▪ SCREWS

G 3X12 MM

 8PCS



14



■ Use screws A to assemble the Long Top Panel (25) to the Hinges (24).

■ SCREWS

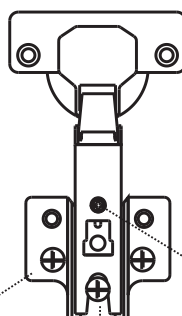
A 3X15 MM



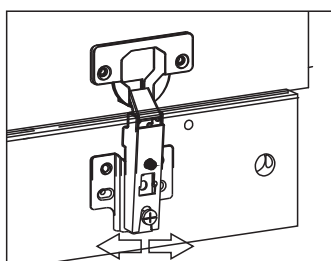
4PCS



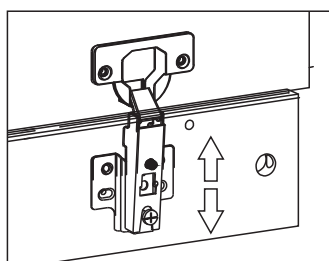
If the door does not close properly, you can adjust its position by unscrewing loose the corresponding screws on the hinges:



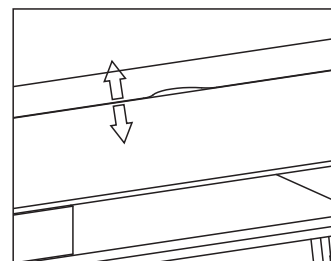
Adjusts the door horizontally



Adjusts the door vertically

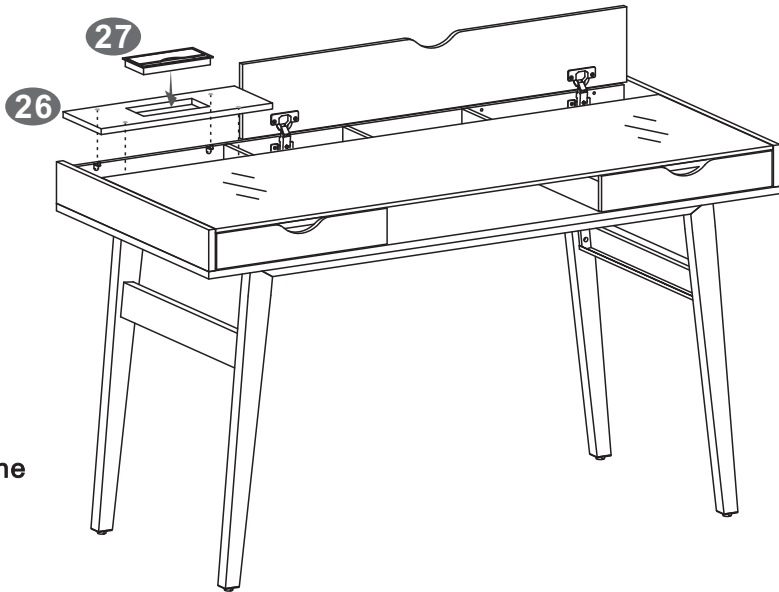
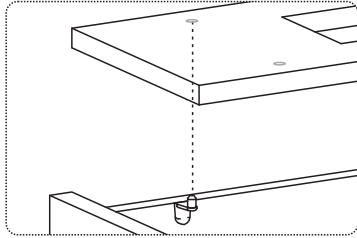


Adjusts the door side-to-side when it is closed.



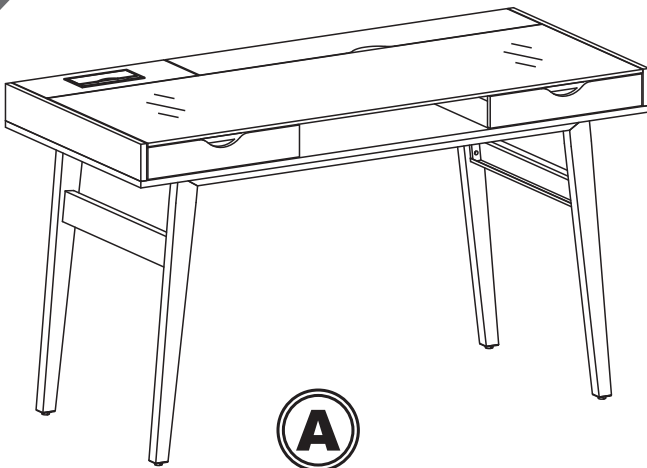
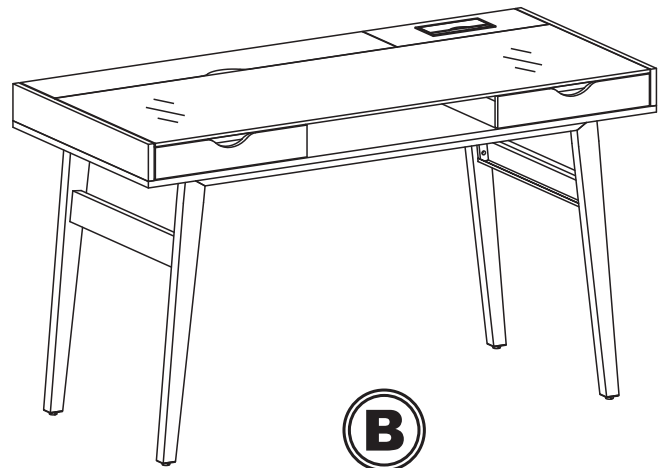
When the optimal position has been reached, re-tighten the screws.

15



- Insert the Short Top Panel (26) and the Long Grommet (27).

16

**A****B**

- Tighten any and all screws that are still loose, and
ENJOY YOUR NEW UNIT!

CARE AND MAINTENANCE

English

- DO NOT EXPOSE THE SURFACES TO DIRECT SUNLIGHT OR EXTREME ENVIRONMENTAL CONDITIONS. ANY DAMAGE RESULTING FROM SUCH EXPOSURE IS NOT COVERED BY THE PRODUCT'S WARRANTY.
- THE PREFERABLE METHOD TO CLEAN THE SURFACES IS TO WIPE THEM USING A SOFT CLOTH DAMPENED WITH A SOLUTION SOAP AND WATER, THEN DRY WITH A CLEAN TOWEL.
- DO NOT SPRAY SOLVENTS OR CLEANING AGENTS DIRECTLY OVER THE SURFACES, STRUCTURAL TUBES OR METAL PARTS.
- DO NOT LEAN, SEAT OR STAND OVER THE UNIT.
- DO NOT ALLOW CHILDREN TO PLAY OVER/UNDER THE UNIT, NOR ALLOW THEM TO REACH INSIDE ANY COMPARTMENTS WITHOUT THE SUPERVISION OF AN ADULT.
- BEFORE MOVING OR TRANSPORTING THE UNIT, MAKE SURE THAT:
 - ALL HEAVY OBJECTS OR THAT MIGHT FELL OFF ARE REMOVED FROM THE UNIT.
 - IF THE UNIT ARE ON CASTERS (WHEELS), MAKE SURE THAT ALL ARE UNLOCKED.
 - THE UNIT MUST BE HANDLED BY AT LEAST 2 PERSONS.
 - WHEN LIFTING THE UNIT, USE BOTH OF YOUR HANDS, AND BEND YOUR KNEES. REMEMBER TO ALWAYS LIFT WITH YOUR LEGS, NOT YOUR BACK.
- IN CASE OF DAMAGE TO ANY PARTS, NOTIFY THE VENDOR AS SOON AS POSSIBLE.
- IN CASE OF GLASS BREAKAGE (IF THE UNIT HAS A GLASS TABLE TOP OR PARTS MADE OF GLASS) DO NOT HANDLE THE BROKEN GLASS WITH YOUR BEAR HANDS, AND CONTACT THE VENDOR IMMEDIATELY. DO NOT ALLOW CHILDREN NEAR THE BROKEN GLASS.