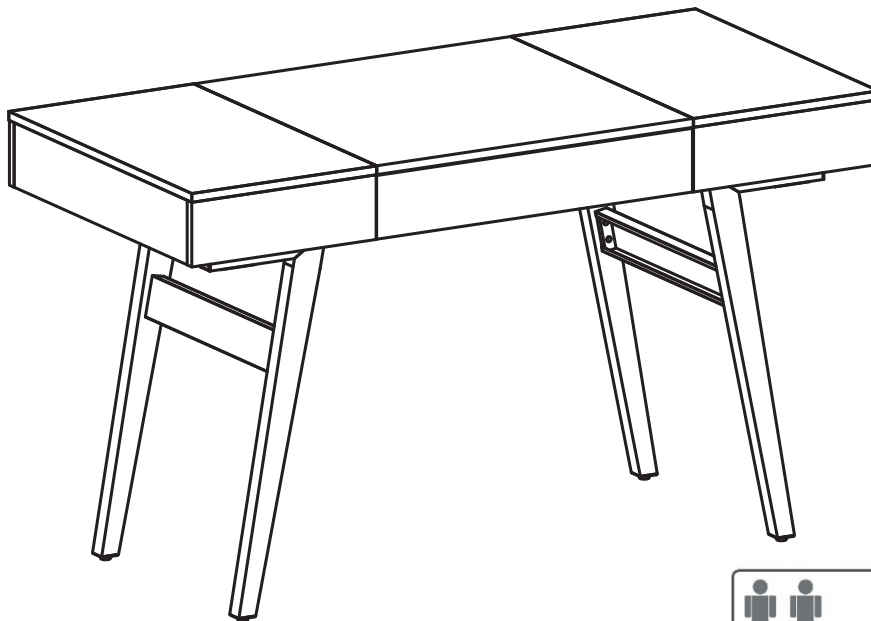



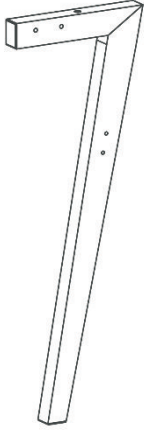
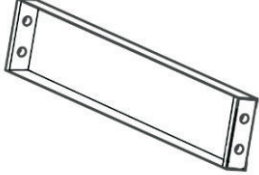


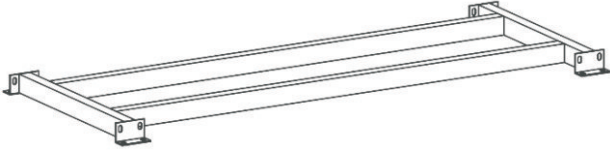
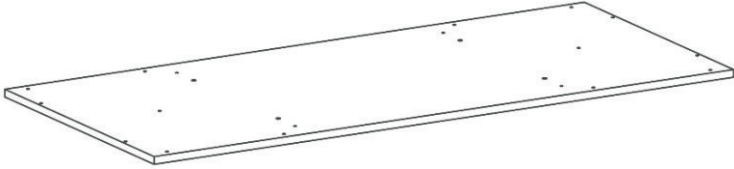
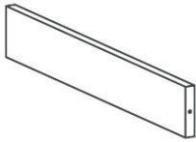

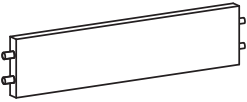
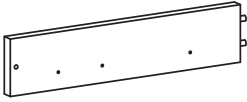
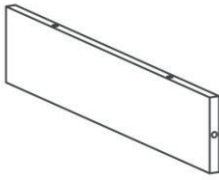
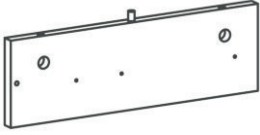
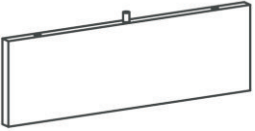
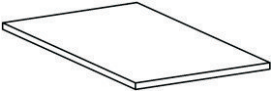
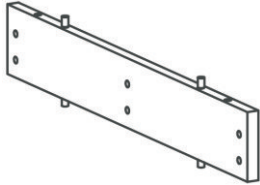
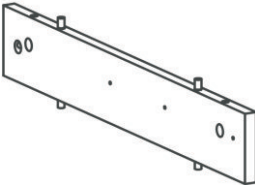


# MODEL RTA-1854

## ASSEMBLY INSTRUCTIONS

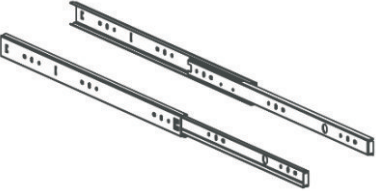
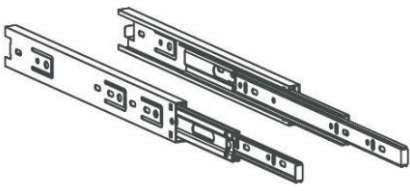





Thank you for purchasing one of our products.  
Please read carefully the assembly instructions before the installation.  
Do not discard this manual or any of the packaging material until the  
unit has been completely assembled.



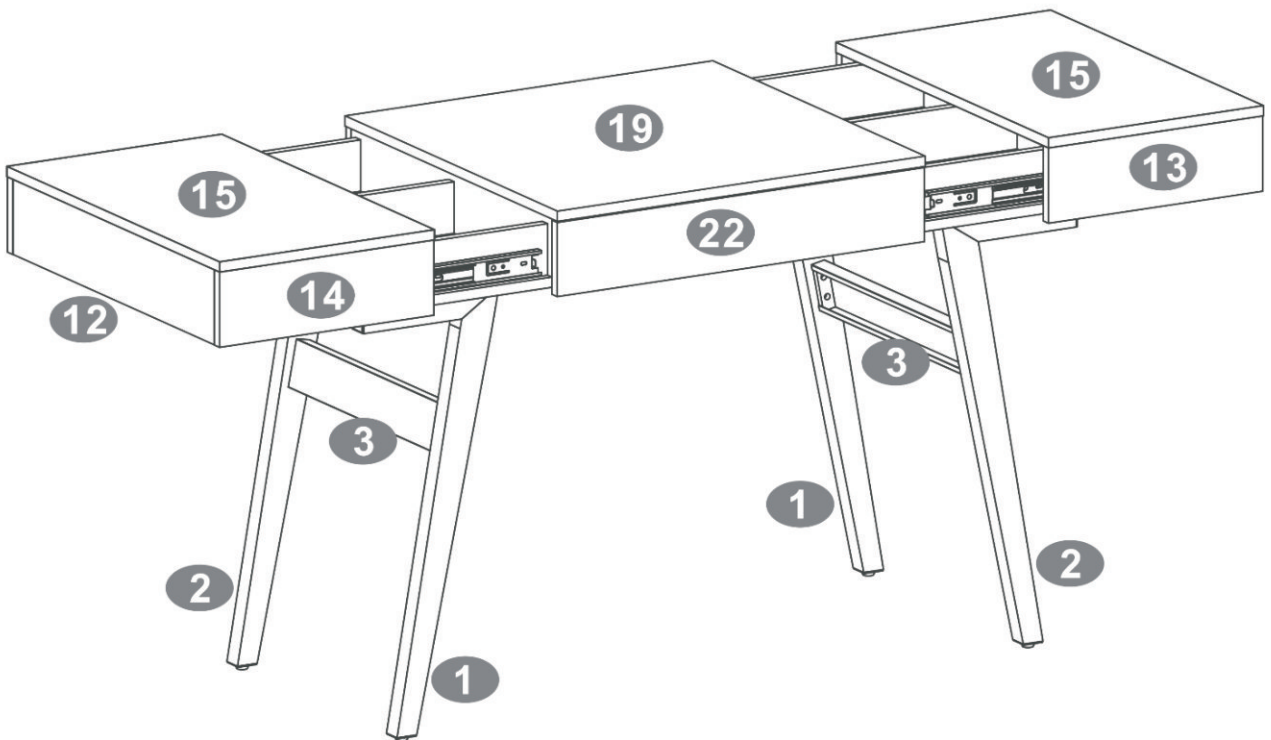
**MAIN PARTS LIST**

<p># 1 x2 Structure Front-Left and Back-Right</p> 	<p># 2 x2 Structure Front-Right and Back-Left</p> 	<p># 3 x 2 Support structure</p> 	<p># 4 x 4 Studs</p> 	<p># 5 x 2 Drawer Connector</p> 
		<p># 6 x 1 Main structure</p> 		
<p># 7 x1 Bottom Panel</p> 	<p># 8 x 2 Side Panel</p> 	<p># 9 x 2 Front/Back Panel</p> 		
<p># 10 x2 Middle Panel</p> 	<p># 11 x 2 Front/Back Panel</p> 	<p># 12 x 2 Side Panel (Sliding)</p> 	<p># 13 x 2 Front/Back Panel (Sliding)</p> 	<p># 14 x 2 Front/Back Panel (Sliding)</p> 
<p># 15 x2 Top Panel (Sliding)</p> 	<p># 16 x 1 Side Panel</p> 	<p># 17 x 1 Side Panel</p> 	<p># 18 x 1 Back Panel</p> 	<p># 19 x 1 Top Panel</p> 




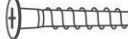





**MAIN PARTS LIST**

<p># 20 x2</p> <p>Single sliders</p> 	<p># 21 x 4</p> <p>Double Sliders</p> 	<p># 22 x 1</p> <p>Drawer Front Panel</p> 	
<p># 23 x1</p> <p>Drawer Left Panel</p> 	<p># 24 x 1</p> <p>Drawer Right Panel</p> 	<p># 25 x 1</p> <p>Drawer Bottom Panel</p> 	<p># 26 x 1</p> <p>Drawer Back Panel</p> 

**MAIN PARTS LOCATION ON THE UNIT**



## SCREWS LIST

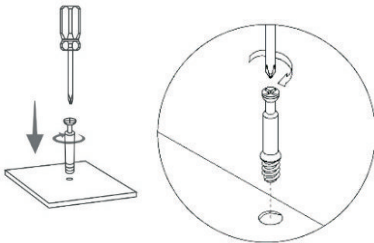
No.	Qty	Size	Figure	No.	Qty	Size	Figure
<b>A</b>	24	6X40 MM		<b>F</b>	4	4X35 MM	
<b>B</b>	18	6X15 MM		<b>G</b>	22	5X40 MM	
<b>C</b>	8	6X20 MM			1	M 4	
<b>D</b>	4	6X50 MM			1		
<b>E</b>	38	3X15 MM					

☛ This unit uses cam bolts and locks. The following explains how to use them. This is not an assembly step; it is a guide for when you are actually doing the assembly using this kind of hardware.

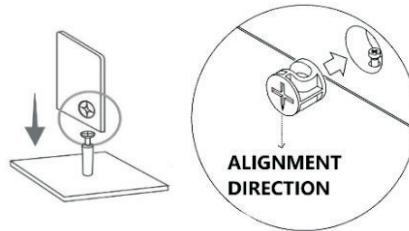
Cam Bolt 

Cam Lock 

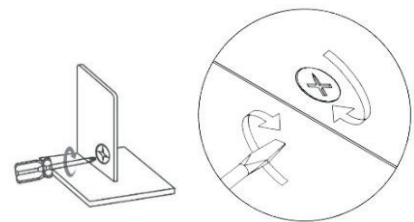
1. Screw the bolt into the corresponding panel.



2. In the other panel, insert the cam lock and align it so it can properly receive the bolt, then join both panels.



3. The panels might have a very small gap which is normal; turn the cam lock clockwise to lock the parts together and the gap will also close.

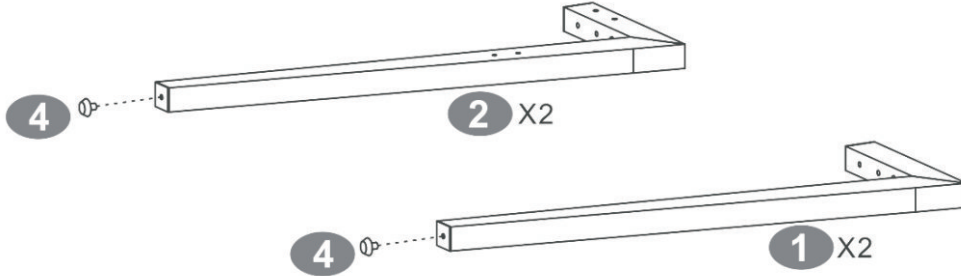


**BEFORE YOU START THE ASSEMBLY, PLEASE READ THE FOLLOWING TIPS AND WARNINGS.**

- ▣ Do a quick inventory to make sure the product contains all the parts and hardware.
- ▣ Missing, damaged and defective parts can be replaced at no cost to you. Please refer to the CONTACT and the WARRANTY cards included with the product.
- ▣ The replacement parts service is limited to the continental United States. If you reside in Hawaii, Puerto Rico, U.S. Dependencies or other countries, please contact the supplier from where the unit was purchased.
- ▣ If during assembly you find an issue or need clarification, please contact our Customer Service for assistance. Please refer to the CONTACT card included with the product.
- ▣ On each step read the instructions and analyze the illustrations thoroughly before proceeding to do the assembly.
- ▣ To avoid misalignments, always leave the screws loose and tighten them until all pieces are positioned correctly.
- ▣ Do not overtighten or force the screws as they might break, strip, damage the threads of the holes or get stuck inside the part.
- ▣ Sometimes the laminate might cover partially or entirely the hole on a panel, but the hole should still be located under the laminate.
- ▣ If there is no visible hole for the screw, pass and press the tip of your finger over the area where the hole should be located to feel the indentation, and once found, carefully pierce the laminate to reveal the hole underneath.
- ▣ If the hole seems too small for the screw, first make sure you are using the correct size of screw and that it's been installed in the correct hole. If the hole still appears to be too small, carefully pierce the laminate to reveal the hole's actual size.
- ▣ This unit uses cam bolts and locks. Please refer to the previous page which explains how to work with this kind of hardware.
- ▣ Make sure you understand which hardware will be used on each step. Using the wrong size of screw, bolt or pin might strip the threads or cause damage to the part in which it is being used.

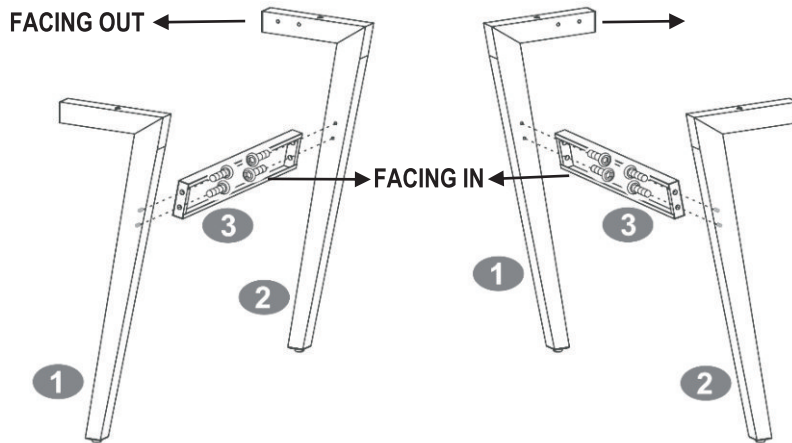
**ASSEMBLY STEPS**

**1** Insert the studs (4) at the bottom of the structures (1) and (2) as shown.



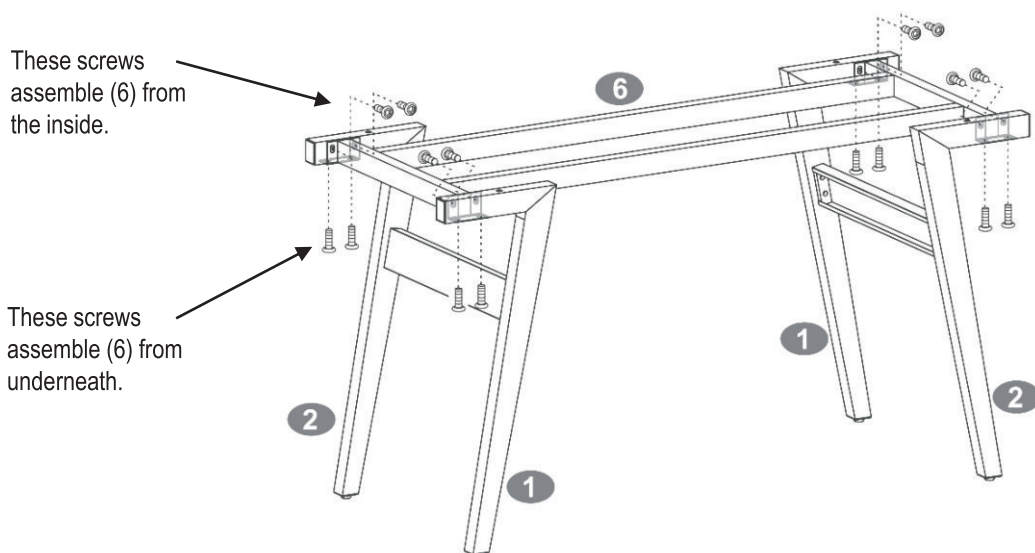
**2** Using screws (C) assemble the support structures (3) between the structures (1) and (2) paying attention to the orientation of the parts as shown.

**- SCREWS**  
**C** 6X20 MM  
 X8




**3** Using screws (B) assemble the main structure (6) to the structures (1) and (2) from the inside and from underneath as shown.

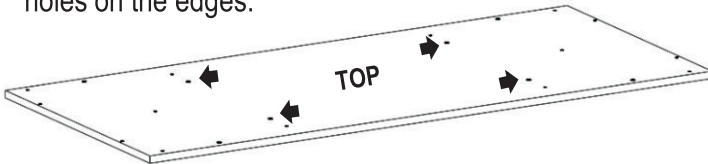
**- SCREWS**  
**B** 6X15 MM  
 X16



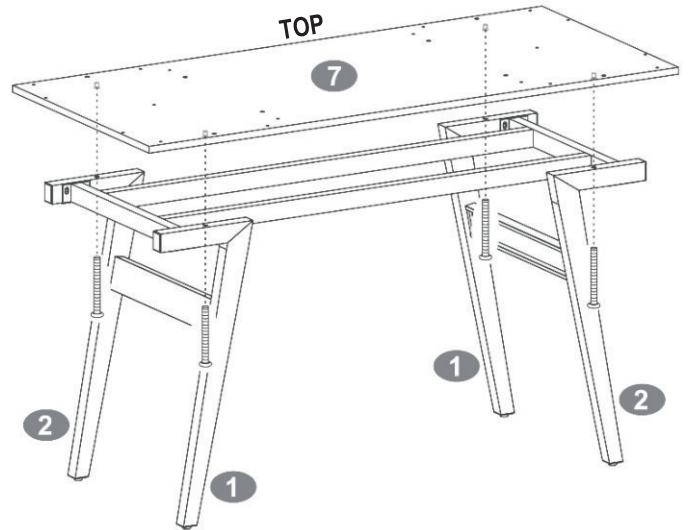
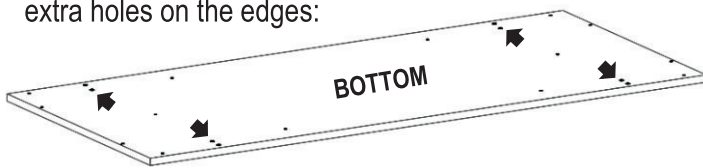
**4** Using screws (D), assemble the bottom panel (7) to the structures (1) and (2), but pay close attention to the correct orientation of the surfaces as shown.

**-SCREWS**  
**D 6X50 MM**  
 X4


The top surface has 4 extra holes in the center but 4 less holes on the edges:

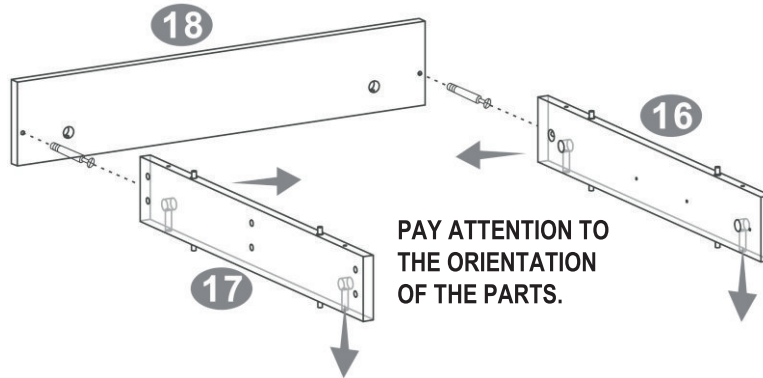


The bottom surface has 4 less holes in the center but 4 extra holes on the edges:




**5** Using bolts (A), assemble the back panel (18) to the side panels (16) and (17) as shown and as explained in page 4.

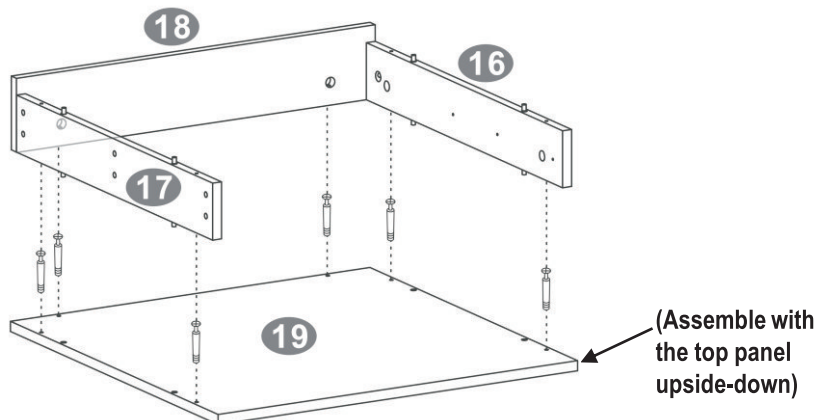
**-SCREWS**  
**A 6X40 MM**  
 X2



REFER TO PAGE 4

**6** Using bolts (A), assemble the panels (16), (17) y (18) to the top panel (19) as shown and as explained in page 4.

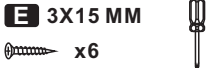
**-SCREWS**  
**A 6X40 MM**  
 X6



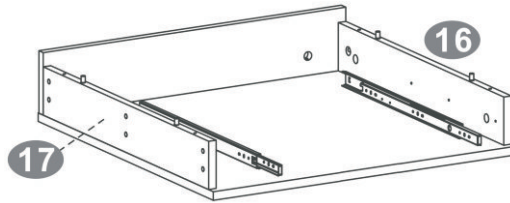
REFER TO PAGE 4

**7** Using screws (E), assemble the sliders (20) to the panels (16) y (17) as indicated below:

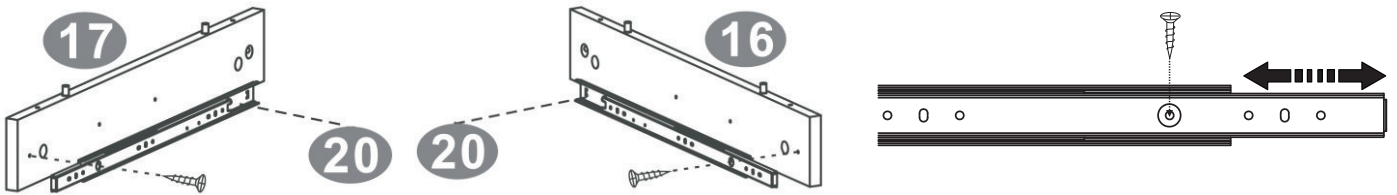
**-SCREWS**  
**E** 3X15 MM  
 x6



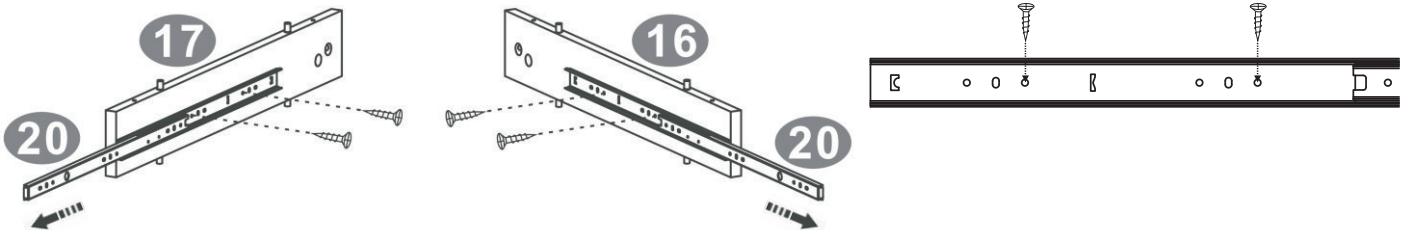
ASSEMBLE AT THE FRONT FIRST, THEN AT THE BACK AS INDICATED BELOW.



First open the sliders slowly and assemble it when the hole is visible thru the front opening as shown.




Then open the slider completely to assemble it at the back on the 2 holes as shown.

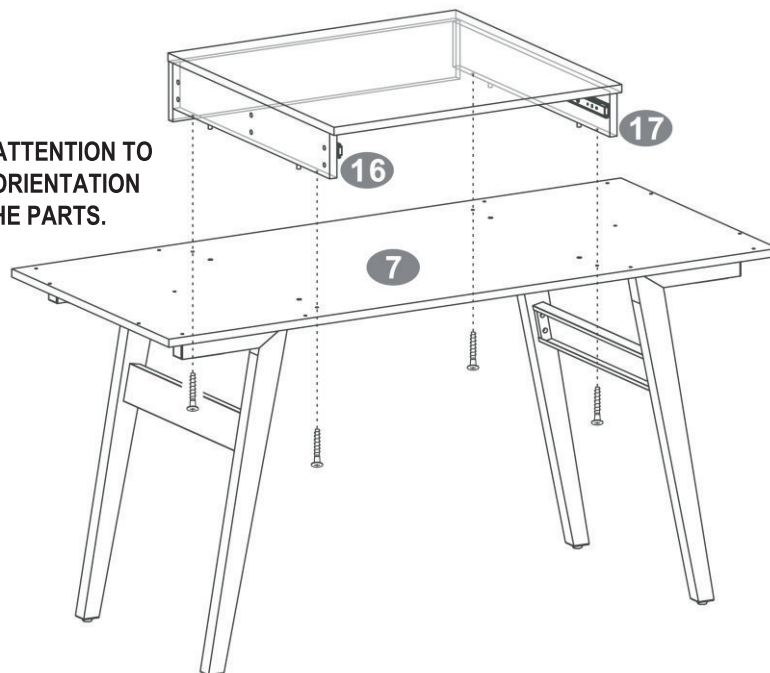


**8** Place the box assembled in the previous step upside-down over the bottom panel (7), and assemble it using screws (G) from underneath as shown.

**-SCREWS**  
**G** 5X40 MM  
 x4

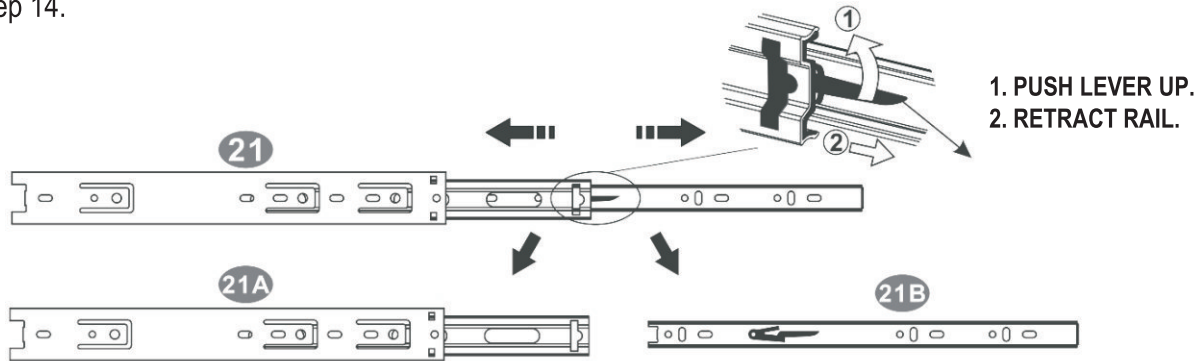


PAY ATTENTION TO THE ORIENTATION OF THE PARTS.





**9** Grab all the sliders (21) and open them completely with their small rail facing to the RIGHT. On their back side and in between the small and the middle rails there is a lever that you must push UP at the same time that you retract the small rail from the rest. The big rail (21A) will be used in the next step while the small rail (21B) will be used until step 14.

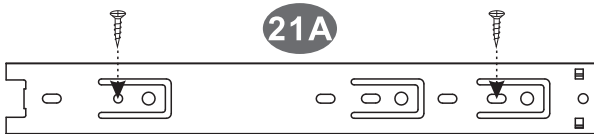


**10** Using screws (E), assemble the sliders (21A) to the front/back panels (9) and (11) as indicated below.

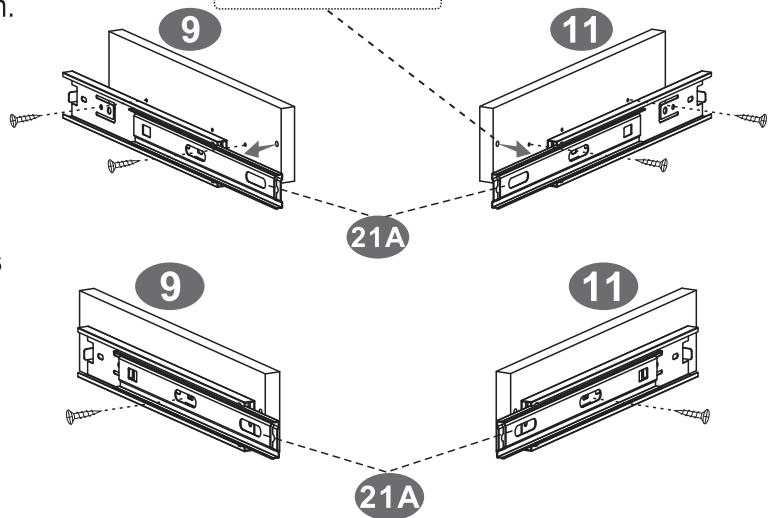
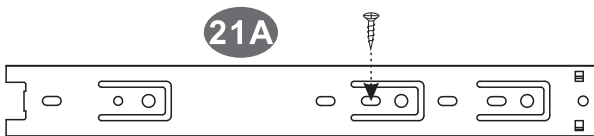
PAY ATTENTION TO THE ORIENTATION OF THE PARTS.

**- SCREWS**  
**E** 3X15 MM  
x6

Open the slider and fix it at the back in the hole shown.



Close the slider and fix it at the front when the 2 holes are visible thru the opening as shown.

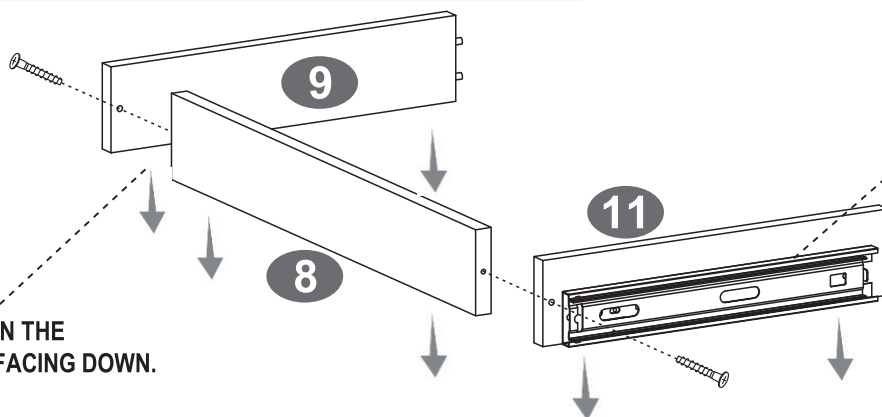


**11** Assemble the side panel (8) in between the front/back panels (9) and (11) using screws (G) as shown.  
**REPEAT STEPS 10 AND 11 FOR THE SECOND DRAWER.**

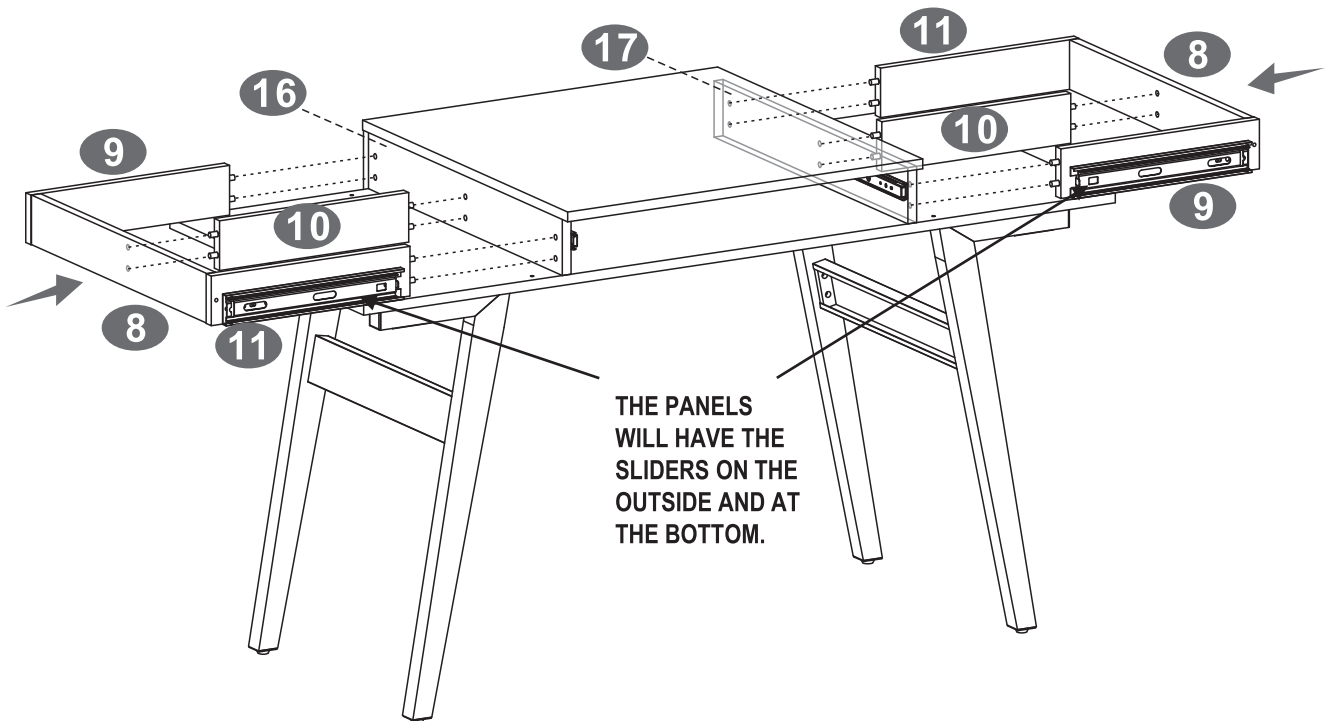
**- SCREWS**  
**G** 5X40 MM  
x2

THE HOLES ON THE PROFILE GO FACING DOWN.

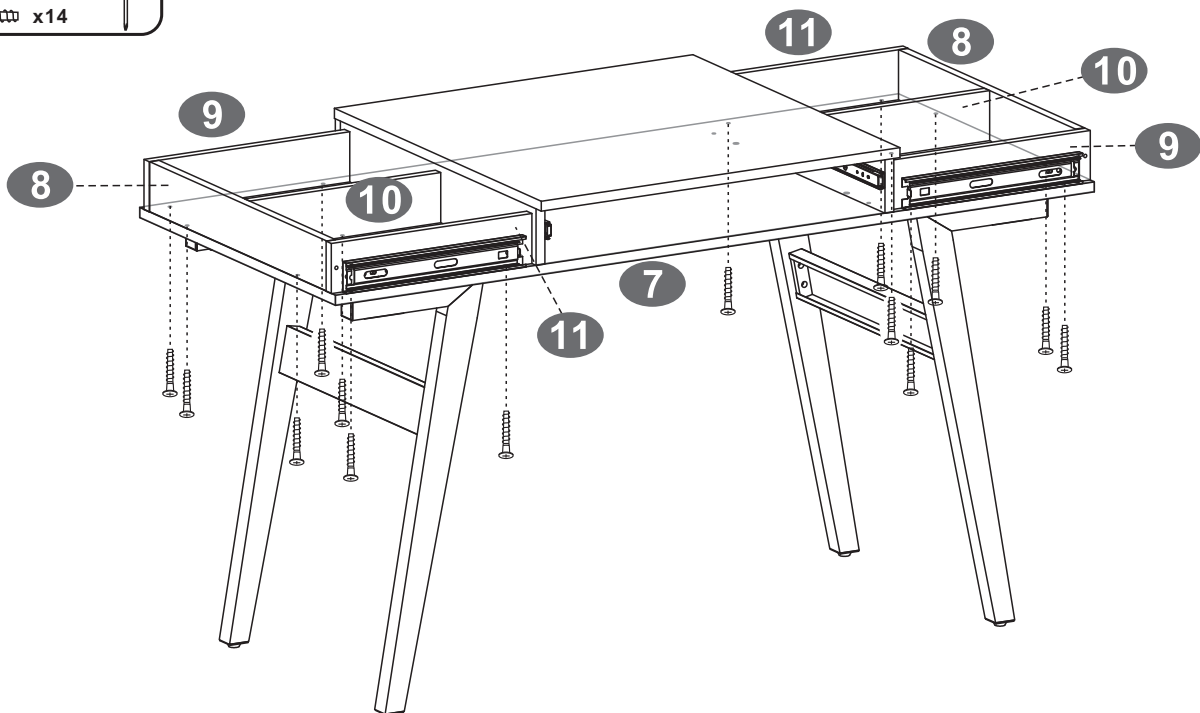
THE PANELS (9) AND (11) WILL HAVE THE SLIDERS ON THE OUTSIDE AND AT THE BOTTOM.



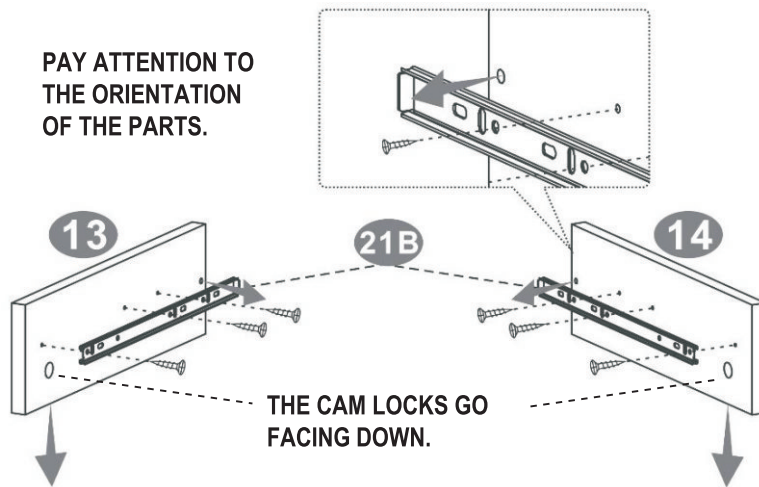
- 12** Assemble the middle panel (10) and the panels (8), (9) and (11) to the panels (16) and (17) as shown.



- 13** Using screws (G), and from beneath the unit, assemble the panels (8), (9), (10) and (11) to the bottom panel (7) as shown.



**14** Using screws (E) assemble the rails (21B) to the front/back panels (13) and (14) as shown.

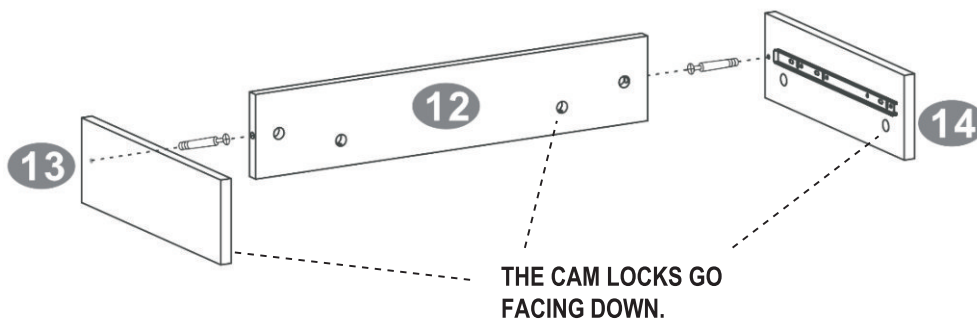


**-SCREWS**

**E 3X15 MM**

x6

**15** Using bolts (A), assemble the side panel (12) in between the front/back panels (13) and (14) as shown and as explained in page 4.



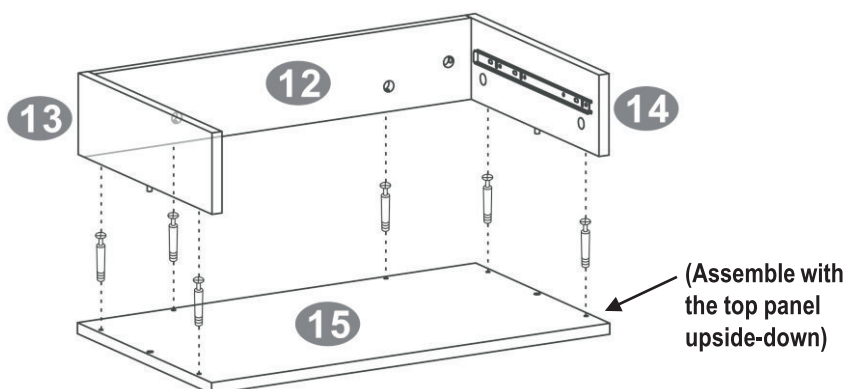
**-SCREWS**

**A 6X40 MM**

x2

REFER TO PAGE 4

**16** Using bolts (A), assemble the panels (12), (13) and (14) to the panel (15) as shown and as explained in page 4. **REPEAT THE STEPS 14 THRU 16 FOR THE SECOND DRAWER.**



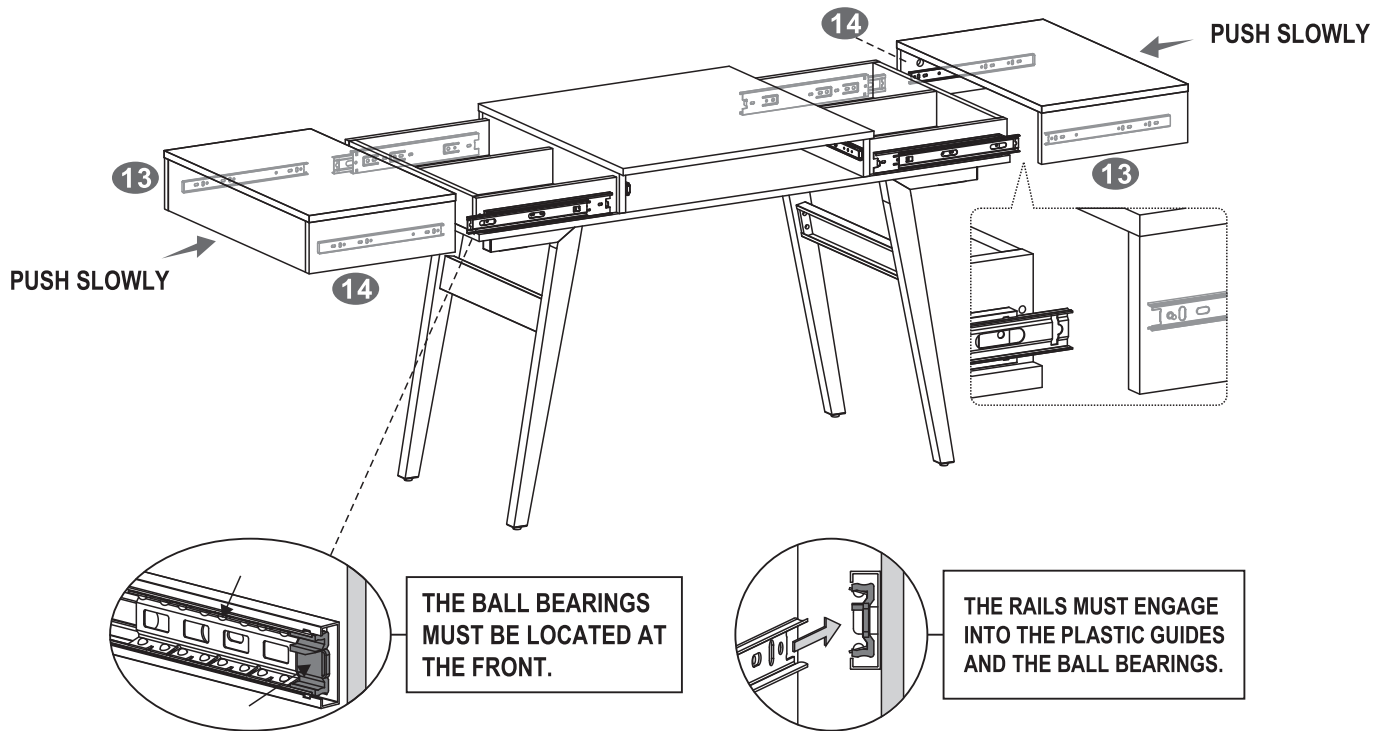
**-SCREWS**

**A 6X40 MM**

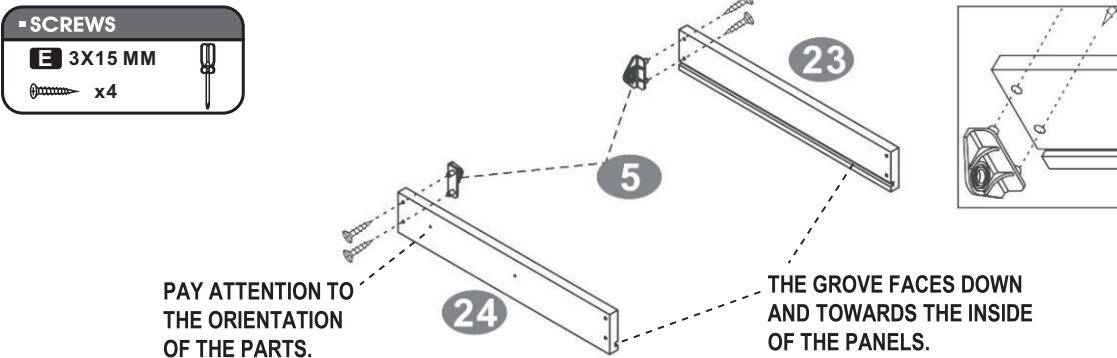
x6

REFER TO PAGE 4

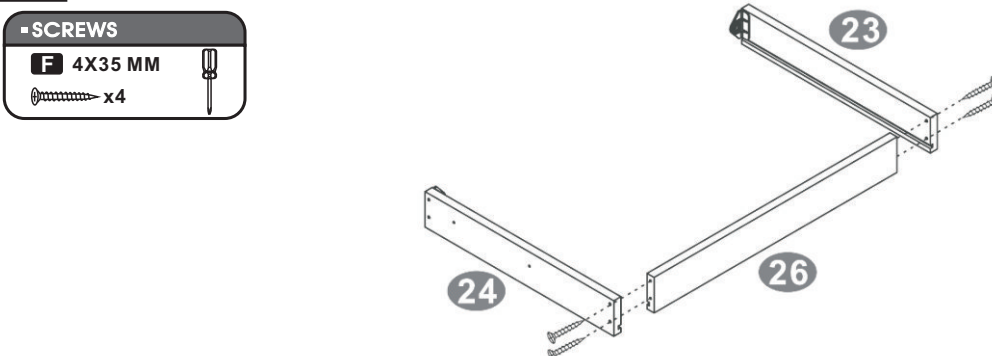
- 17** First make sure that the ball bearings are located all the way to the front of the sliders. Then insert the drawers assembled in the previous step making sure for each drawer that the rails engage thru the plastic guides and into the ball bearings on both sides, and push the drawer slowly until it closes completely as shown.



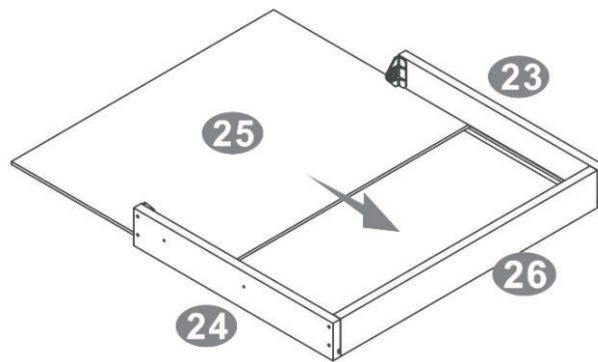
- 18** Assemble the drawer connectors (5) to the drawer side panels (23) and (24) using screws (E) as shown.



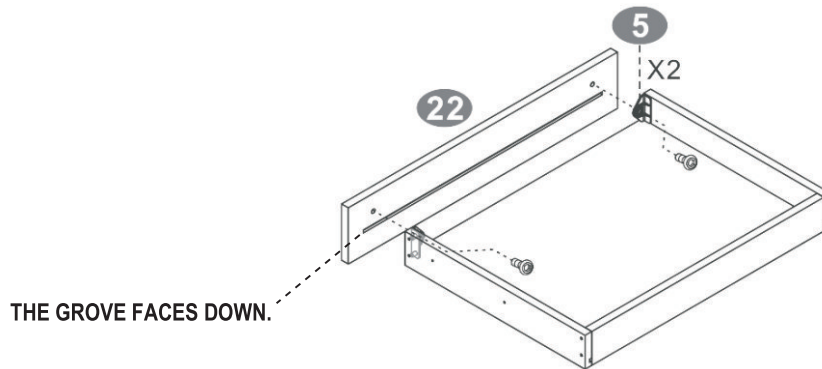
- 19** Assemble the drawer back panel (26) in between the side panels (23) and (24) using screws (F).



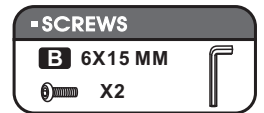
**20** Insert the drawer bottom panel (25) in between the groves of panels (23), (24) and (26).



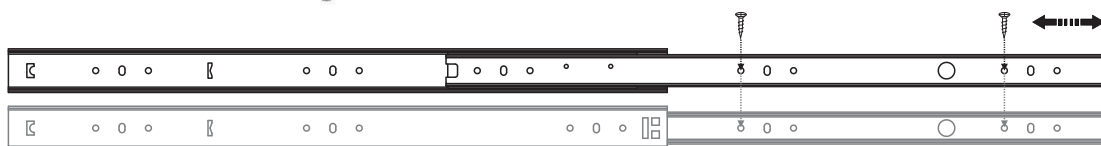
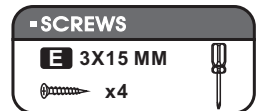
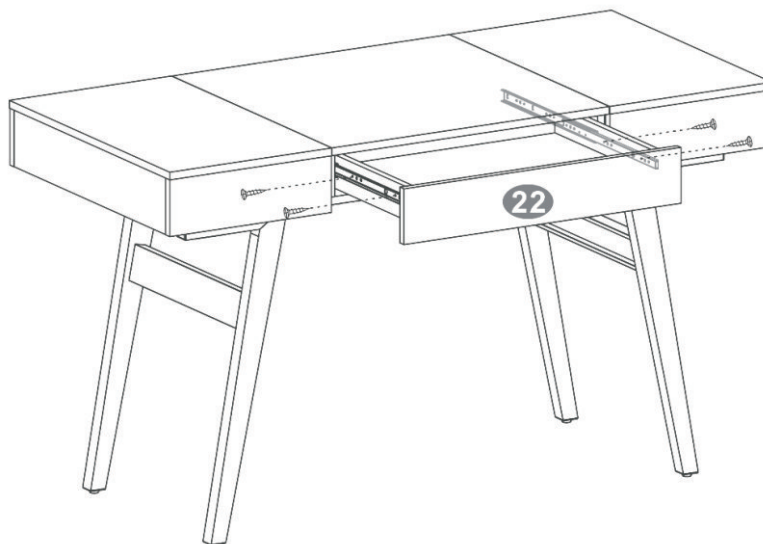
**21** Assemble the drawer front panel (22) to the drawer connectors (5) using screws (B) as shown.



THE GROVE FACES DOWN.



**22** Extend the sliders completely to the front and assemble the drawer using screws (E) as shown.



**DONE!** Before you start using, please read all the warnings in the next page.

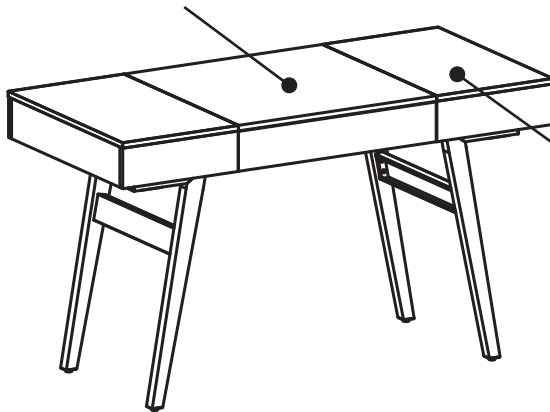
**AFTER THE ASSEMBLY IS DONE, PLEASE READ CAREFULLY THE FOLLOWING CARE AND MAINTENANCE WARNINGS:**

**WEIGHT LIMITS**

(DO NOT EXCEED THIS LIMITS)

Top: 50 Kg (110 Lbs)

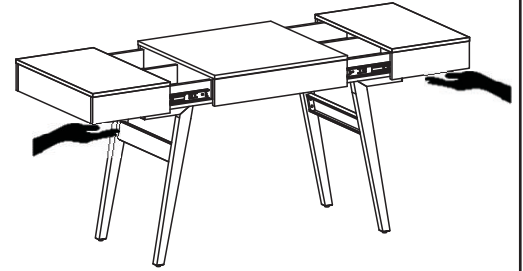
Inside: 5 Kg (11 Lbs)



Top: 30 Kg (66 Lbs)  
Inside: 10 Kg (22 Lbs)

**EXTREMELY IMPORTANT:**

**When opening the side drawers, and if you have a lot of weight on them, hold firmly from underneath to avoid collapsing under the weight.**



- Do not exceed the indicated weight limits.
- Do not expose the surfaces to direct sunlight or to extreme environmental conditions.
- Clean the surfaces preferable with a clean cloth damped in a solution of mild soap and water, then dry with a clean towel.
- Do not use solvents or abrasive materials to clean the unit.
- If you decide to use a cleaning agent, test first on an area hidden from view such as underneath the unit.
- Do not seat on the unit or lean against it.
- Do not allow small children to play on or below the unit.
- The unit must be handled by at least 2 persons when moving in the same or adjacent rooms.
- Before moving the unit, make sure to remove any object that is heavy or might fall off, and try to handle it from their structures.
- When lifting the unit, use both hands and bend your knees, not your backs.
- When transporting the unit to places far away, protect and secure the unit to avoid damage in transit.
- Should any part of the unit become defective during the warranty period, replacement parts might be available to you at no charge. Please refer to the WARRANTY card included with the product.
- The warranty does not extend to regular wear and tear, nor the manufacturer assumes liability for damages or consequences due to accidents, incorrect assembly, negligence, improper use, modifications, or not heeding the above warnings.