



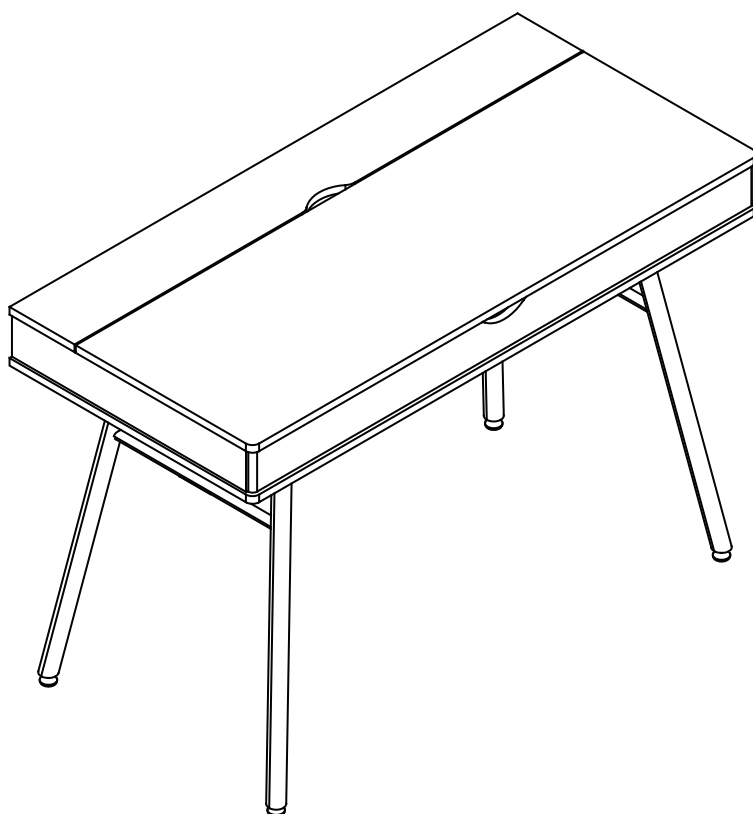
ASSEMBLY INSTRUCTIONS

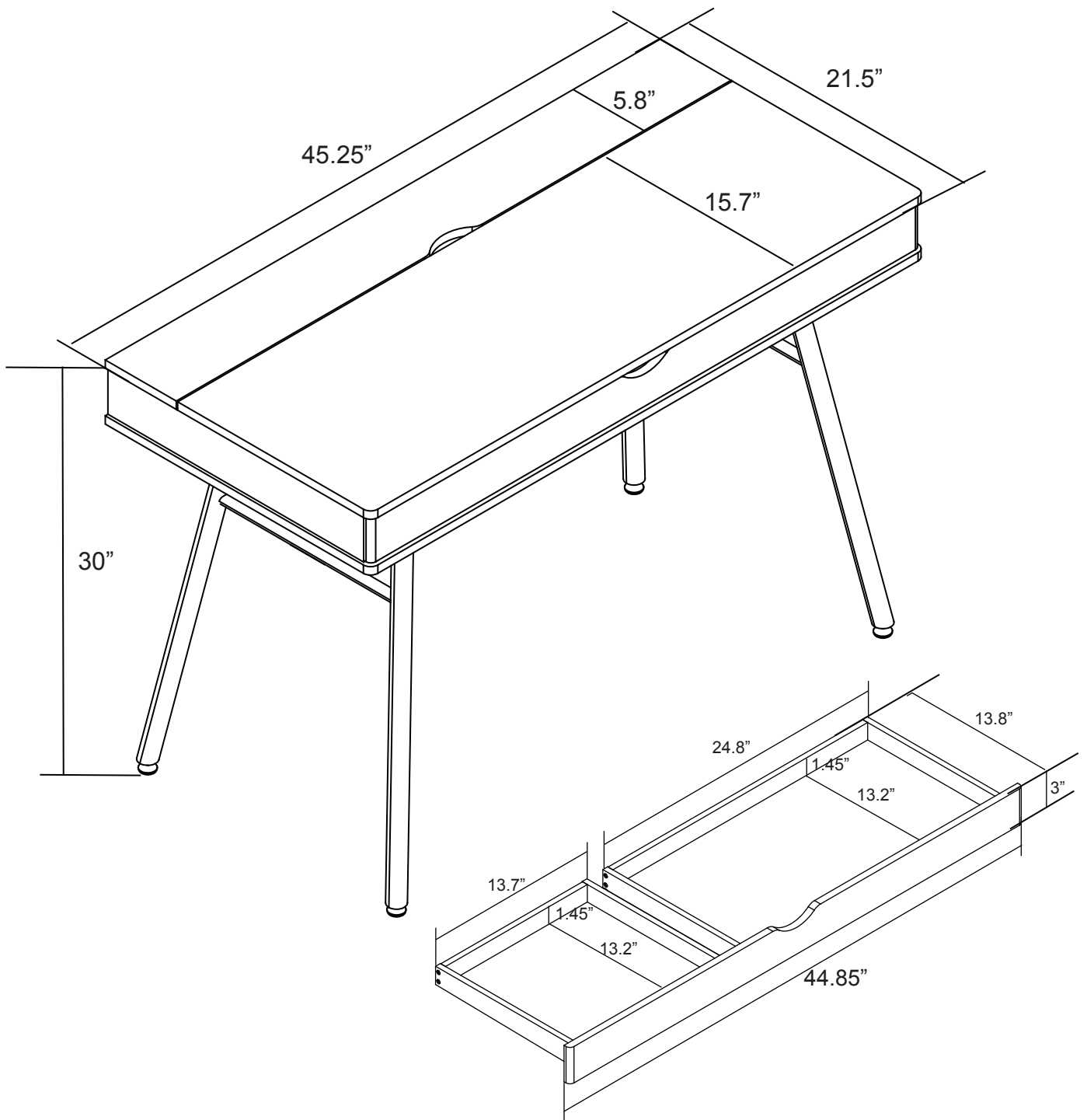
MODEL RTA-1462

Thanks for purchasing one of our products.
Please read carefully the assembly instructions before the installation.
Please save this manual for future reference

WARNING:

DO NOT EXPOSE THE SURFACES TO DIRECT SUN LIGHT. EXPOSURE WILL DAMAGE IT SURFACES, WHICH WILL NOT BE COVERED UNDER THE PRODUCT'S WARRANTY.





TOP WEIGHT LIMIT:50lbs

SMALL DRAWER WEIGHT LIMIT:10lbs

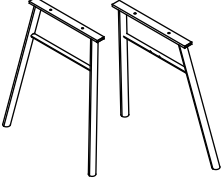
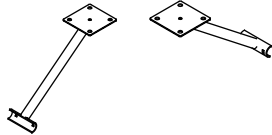
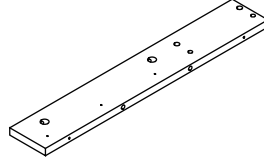
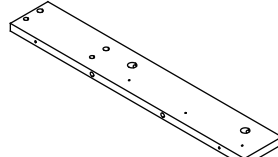
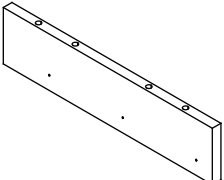
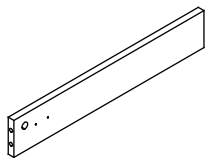
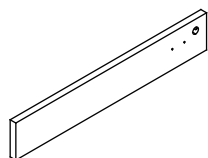
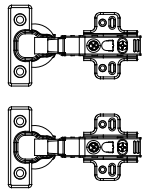
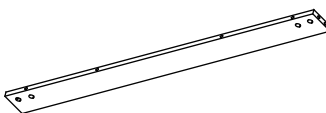
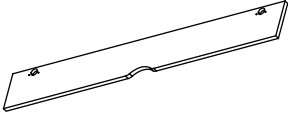
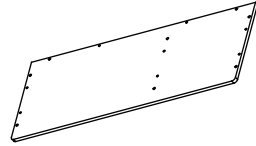
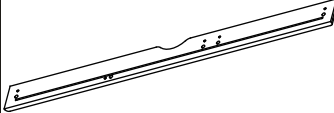
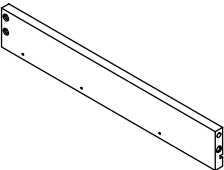
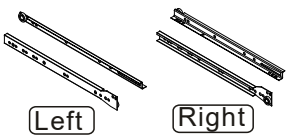
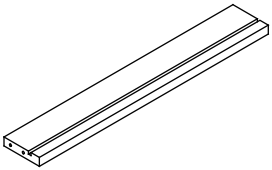
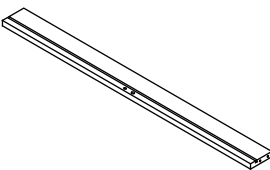
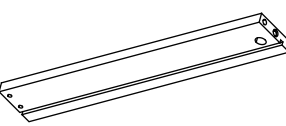
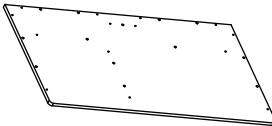
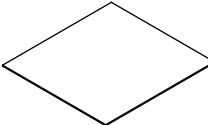
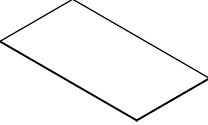
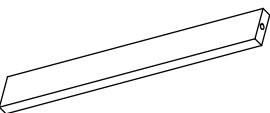
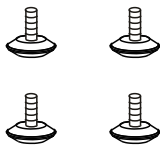
BIG DRAWER WEIGHT LIMIT:15lbs

DO NOT exceed this limit.




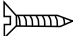



Please use care and good judgment when placing objects on the product.

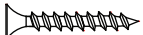

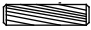

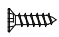

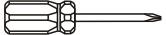


▪PARTS LIST

<p>1 ■ Main structure s x2</p> 	<p>2 ■ Supporting tube x2</p> 	<p>3 ■ Left panel x1</p> 	<p>4 ■ Right panel x1</p> 
<p>5 ■ Central panel x1</p> 	<p>6 ■ Left back panel x1</p> 	<p>7 ■ Right back panel x1</p> 	<p>8 ■ Hinges x2</p> 
<p>9 ■ Central horizontal panel x1</p> 	<p>10 ■ Auxiliary panel x1</p> 	<p>11 ■ Main panel x1</p> 	<p>12 ■ Front panel x1</p> 
<p>13 ■ Drawer left panel x2</p> 	<p>14 ■ Sliders x 2SETS</p> <p>Left Right</p> 	<p>15 ■ Small drawer back panel x1</p> 	<p>16 ■ Large drawer back panel x1</p> 
<p>17 ■ Drawer right panel x2</p> 	<p>18 ■ Bottom panel x1</p> 	<p>19 ■ Small drawer bottom panel x1</p> 	<p>20 ■ Large drawer bottom panel x1</p> 
<p>21 ■ Drawers bottom support panel x1</p> 	<p>22 ■ Studs x4</p> 		

■ SCREWS

PART	QTY.	ITEM	
A	24	WOODEN PIN	
B	17	6x40 MM CAM BOLT	
C	17	6x40 MM CAM LOCK	
D	12	4X12 MM	
E	8	6X12 MM	
F	4	6X30 MM	
G	4	6X15 MM	

PART	QTY.	ITEM	
H	9	3.8X35 MM	
I	12	3.8X40 MM	
J	4	WOODEN PIN	
K	1	ALLEN WRENCH	
L	24	3.5X12MM	
M	1		
	1		

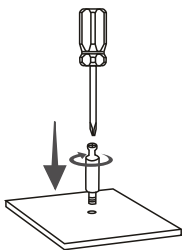


· Cam bolt

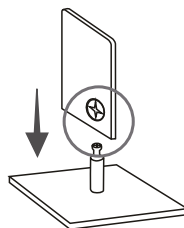


· Cam lock

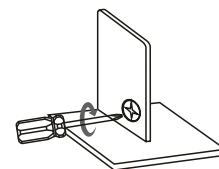
1. Screw the bolt into the corresponding panel



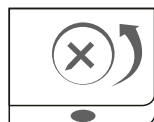
2. In the other panel, insert and align the cam lock, Join the panels



3. Turn the cam lock



If the panel already comes with the cam lock inserted, make sure is aligned



MISALIGNED:
TURN CAM LOCK
TO POINT TOWARDS
THE HOLE

×

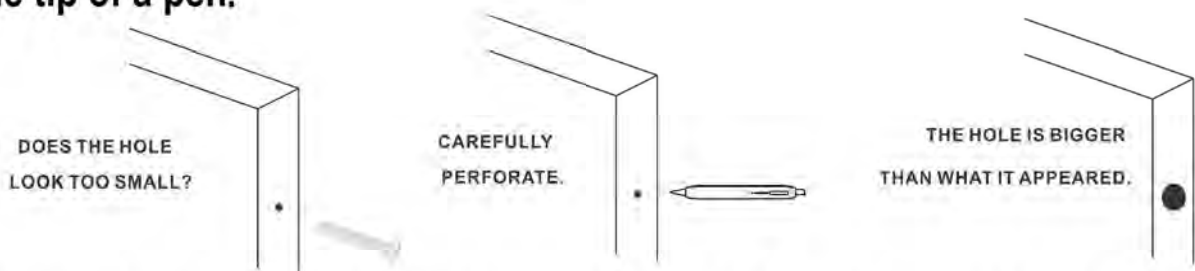


CORRECT

✓

GENERAL ASSEMBLY TIPS AND TROUBLESHOOTING DURING ASSEMBLY:

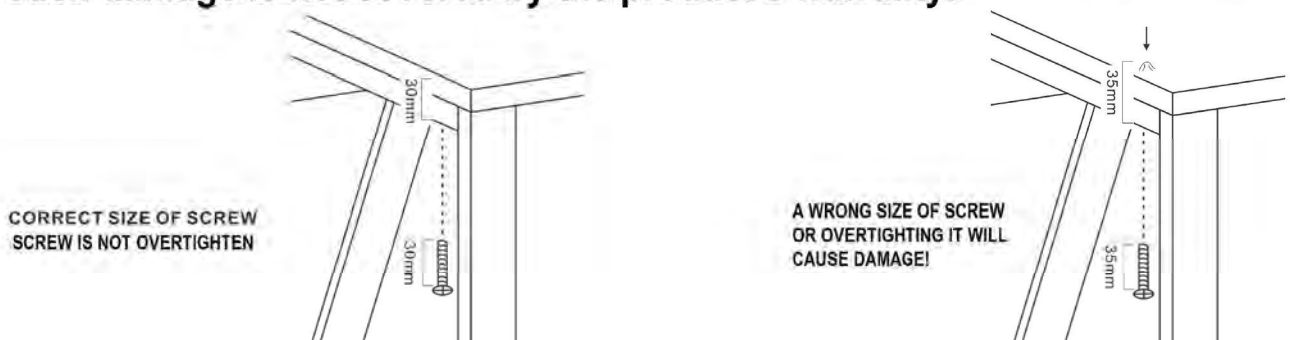
- * Before you start assembling, make sure you have all the parts and necessary hardware by doing a quick inventory.
- * Follow the assembly instructions step by step, and do not skip any unless advised to do so by RTA PRODUCTS' Customer Service.
- * On each step, and to avoid misalignments, always leave screws loose, and do not tighten them until all are in place.
- * In wood panels, the laminate might be covering the holes.
If there are no visible holes: Pass the tip of your finger around the area where the hole should be, and press against the surface to feel the indentation.
If the hole looks too small for the screw or bolt: carefully perforate the laminate with the tip of a pen.



- * In wood panels, some might have inserts that look like screws. Those inserts are either nuts or cam locks. Make sure they are aligned to receive the screws or bolts.



- * Make sure to use the correct screws or bolts, and do not overtighten them. Using wrong screws or overtightening them might cause damage to the parts, and such damage is not covered by the product's warranty.

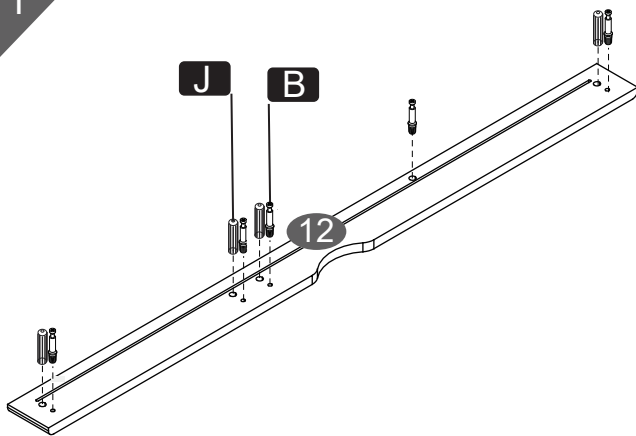


Attention: Do not tighten the screws until all of them are in right positions

WARNING: HOLES ON PANELS MAY BE HIDDEN UNDERNEATH PVC LAMINATE!!!

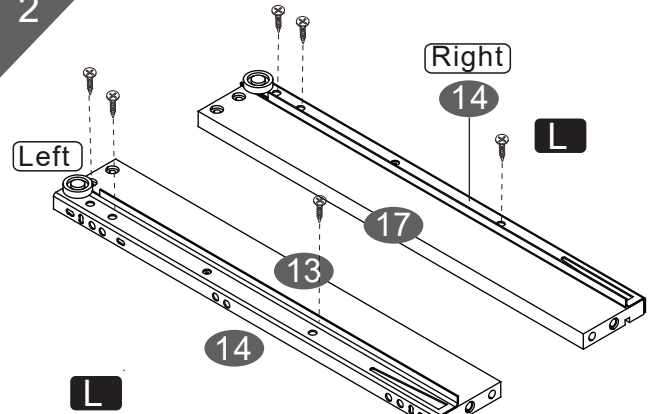
■ STEPS

1



Screw 5 bolts (B) and 4 wooden pins (J) to the back face of front panel (12). Please pay close attention to the correct holes to use as shown.

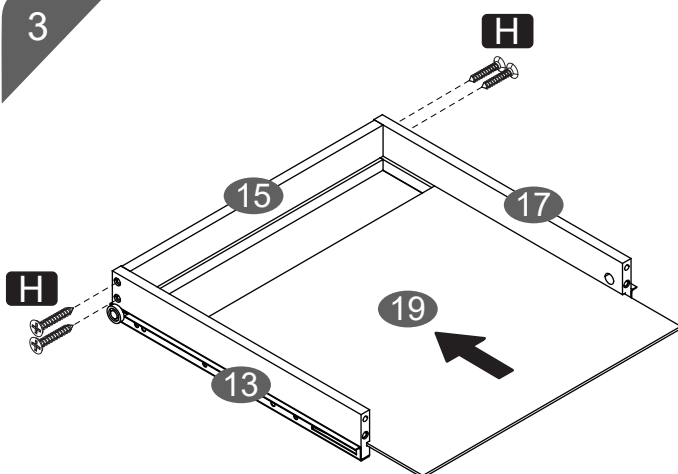
2



Assemble the sliders (14) shaped like "L" to the bottom of all panels (13) and (14) using screws (L) as shown. The channels on all the panels will be at the bottom and facing towards the inside.

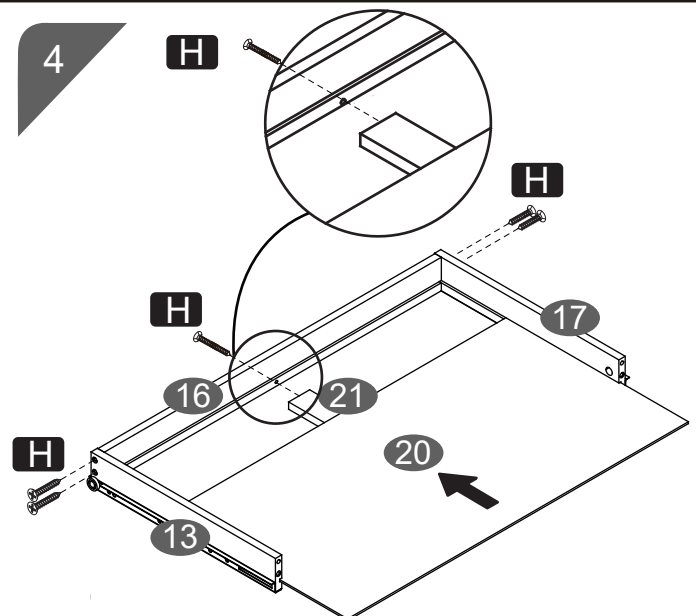
NOTE: The flat shaped sliders (14) are used until steps 6 thru 9.

3



Assemble the panel (15) to one set of side panels (13) and (17) using screws (H) as shown. Then slide the panel (19) in between the panels, making sure it enters into all the channels.

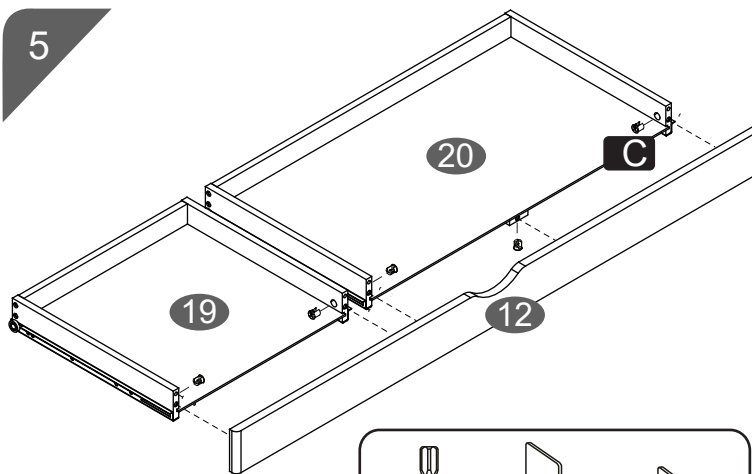
4



Assemble the panel (16) to the other panels (13) and (17) using screw (H) as shown. Assemble panel (21) to panel (16) using screws (H) as shown, and make sure its hole for the cam lock is facing down. Then slide the panel (20) in between the panels, making sure it enters into all the channels.

STEPS

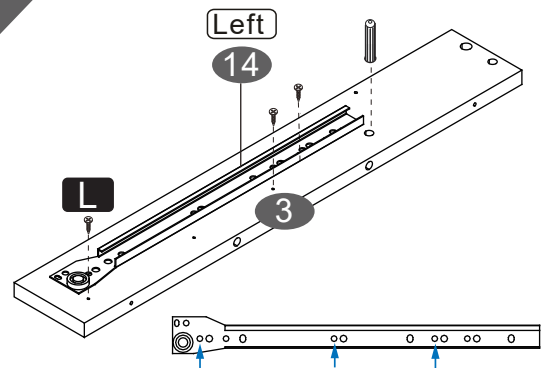
5



Instructions on page 4

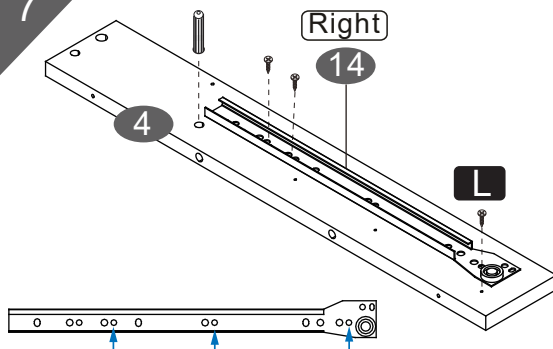
Assemble panel (12) to the 2 drawers using cam locks (C) as shown.

6



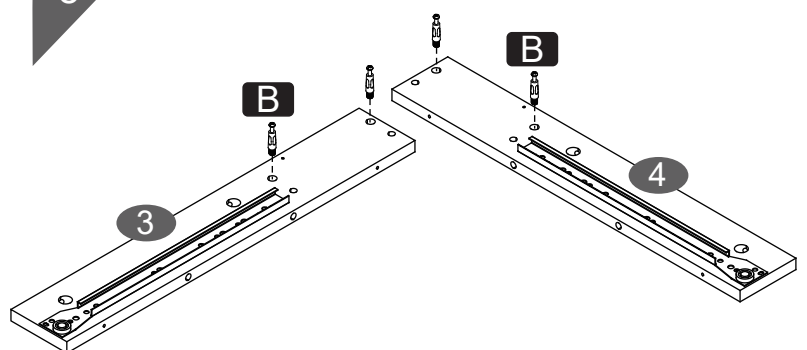
Place the left panel (3) in front of you, smooth side down as shown, and assemble to it one flat slider (14) using screws (L) as shown. Then insert 1 wooden pin (A) in the corresponding hole as shown.

7



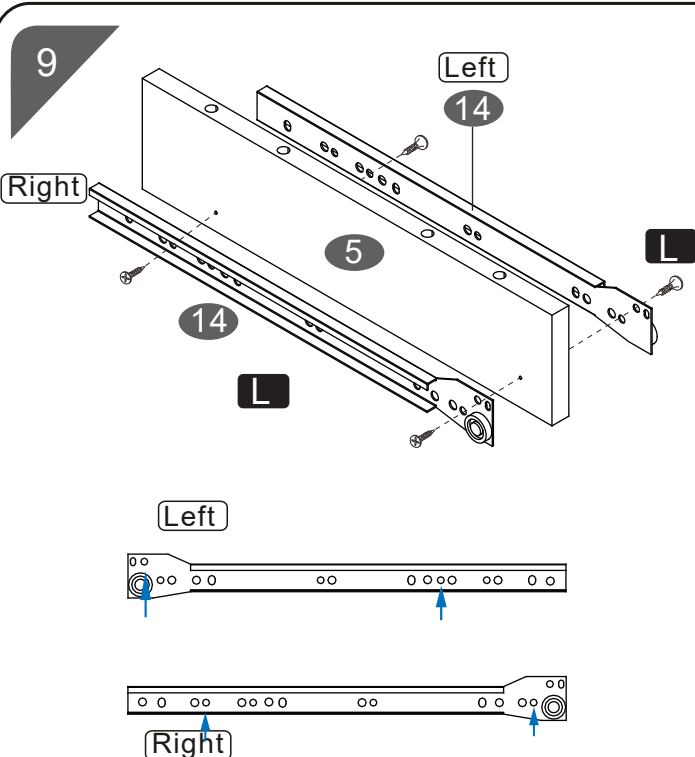
Place the left panel (4) in front of you, smooth side down as shown, and assemble to it one flat slider (14) using screws (L) as shown. Then insert 1 wooden pin (A) in the corresponding hole as shown.

8

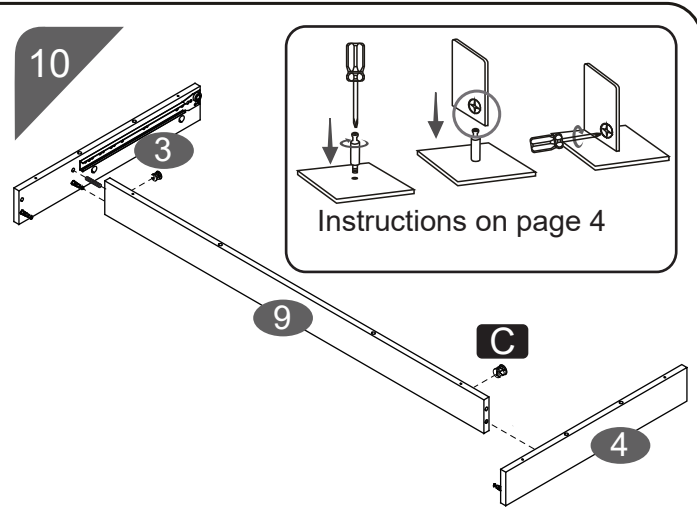


Place the left panels (3) and (4) in front of you, as shown, and screw bolts (B) in the corresponding holes as shown.

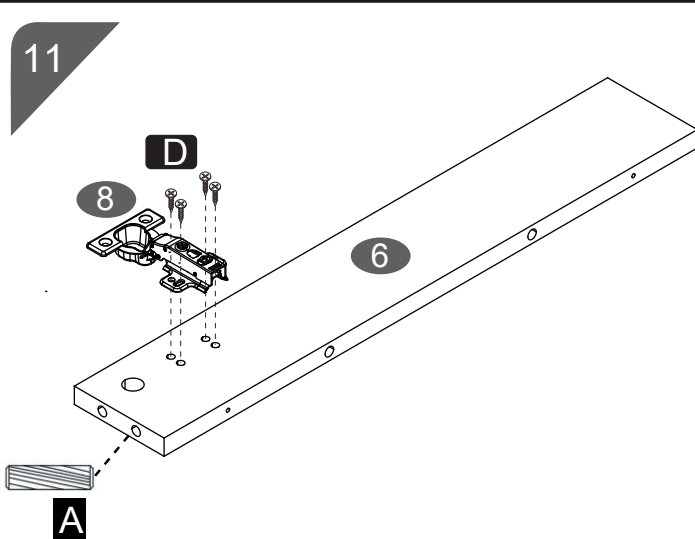
▪ STEPS



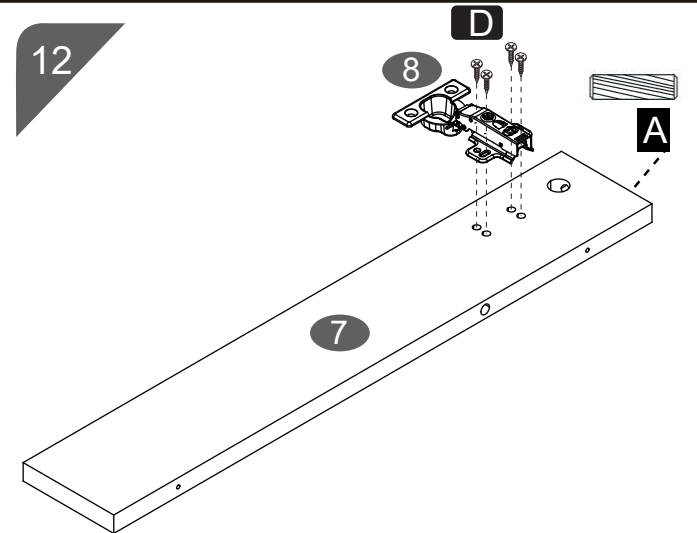
Assemble the other 2 flat sliders (14) to the bottom of both sides of panel (5) using screws (L) as shown.



Assemble panel (9) to panels (3) and (4) using cam locks (C) as shown. Please pay attention to the position and orientation of the panels.

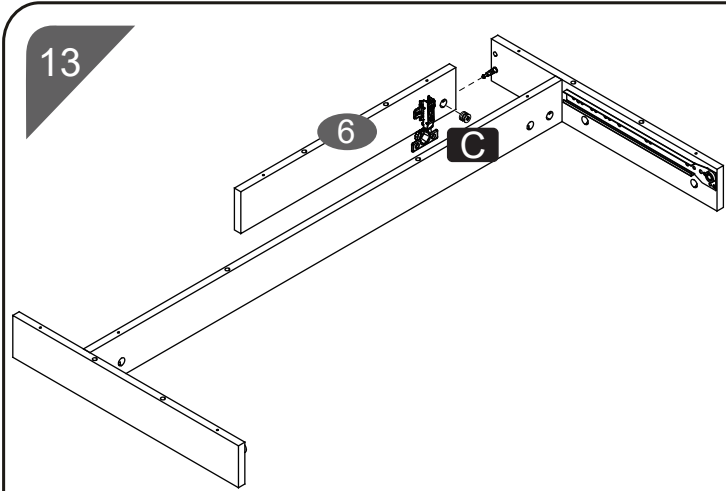


Assemble one of the hinges (8) to the panel (6) using screws (D) as shown. Then insert one wooden pin (A) as shown.

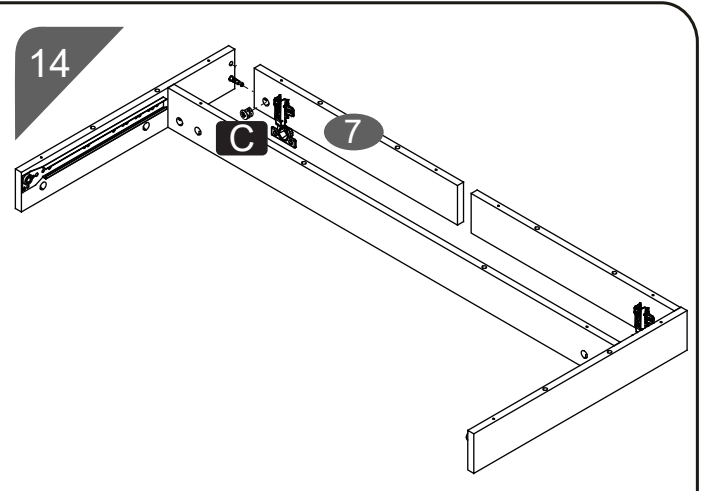
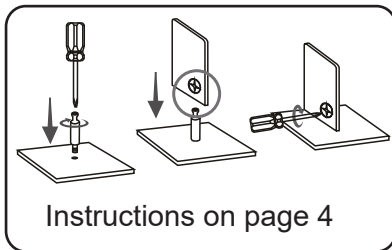


Assemble the other hinge (8) to the panel (7) using screws (D) as shown. Then insert one wooden pin (A) as shown.

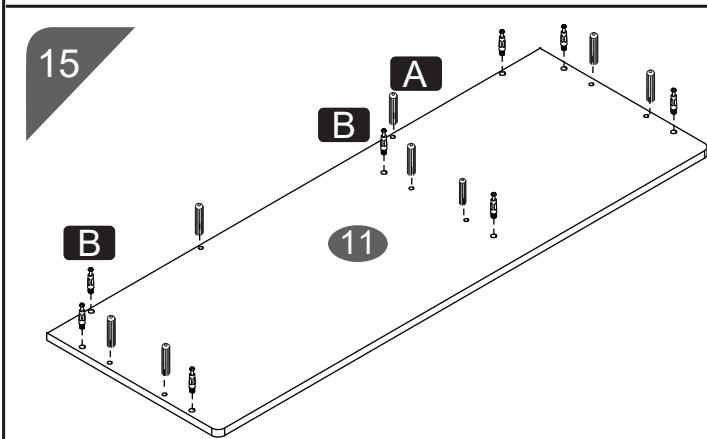
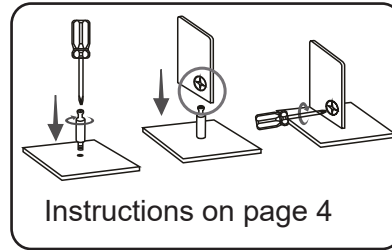
■ STEPS



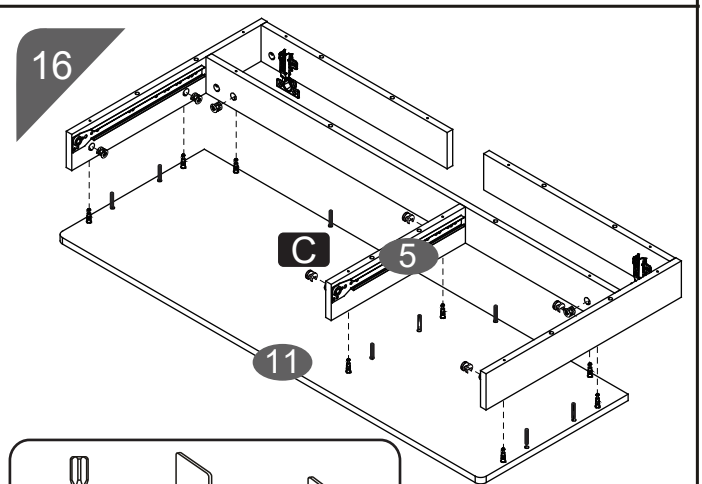
Place the parts assembled on step 10 in front of you as shown, and assemble the panel (6) using cam bolt (C) as shown.



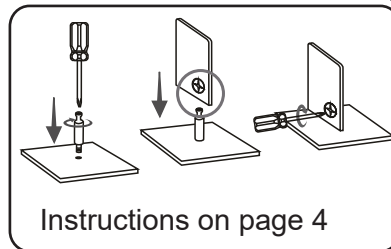
Assemble the panel (7) using cam bolt (C) as shown.



Place the main panel (11) in front of you as shown, with the smooth surface facing down, and its front end towards you. Screw bolts (B) and insert wooden pins (A) to the corresponding holes as shown.

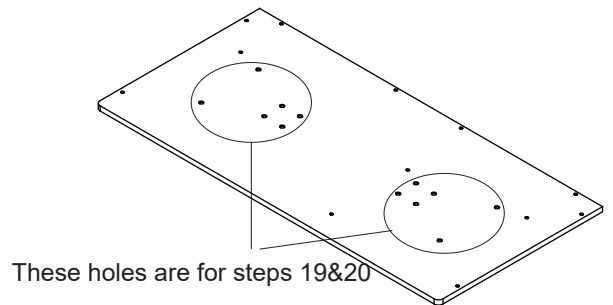
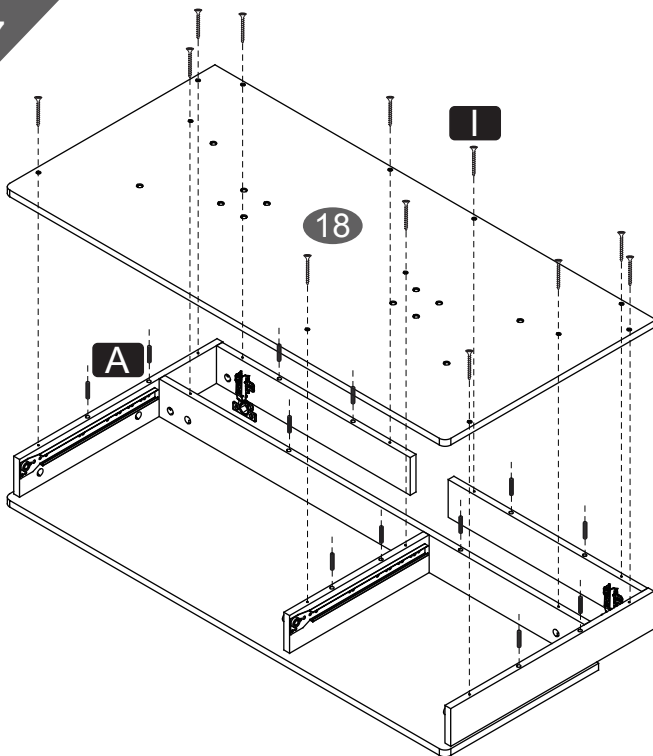


Carefully assemble the parts from step 14 to the main panel (11) using cam bolts (C) as shown.
NOTE: Refer to page 4 (aligning cam locks) before doing this step.



STEPS

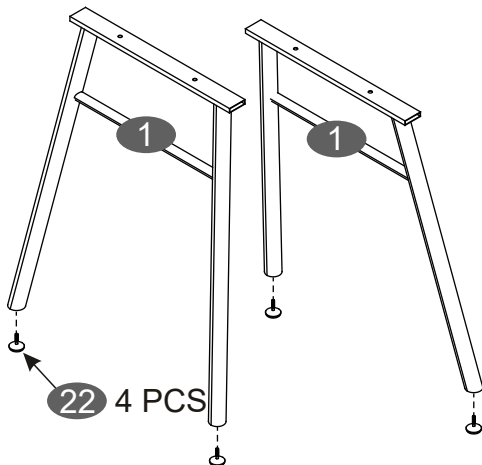
17



These holes are for steps 19&20

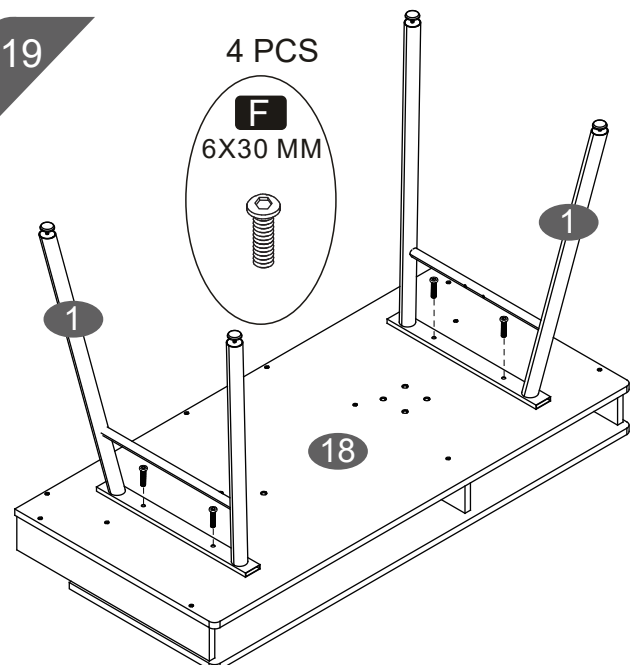
Insert wooden pins (A) into the places shown in the parts built in step 16. Then, and paying attention to its orientation, carefully place the bottom panel (18) over the parts, making sure the wooden pins enter in the holes. Finally, secure the bottom panel (18) using screws (I).

18



Insert the studs (22) into the bottom of the main structures (1).

19

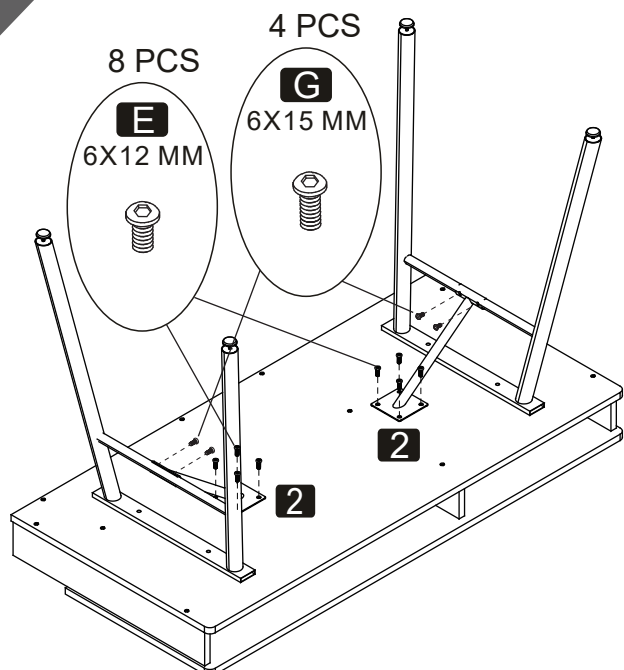


Assemble the main structures (1) to the bottom panel (18) using screws (F) as shown, but **LEAVE THE SCREWS LOOSE**.

The screws will be tightened in the next step.

STEPS

20

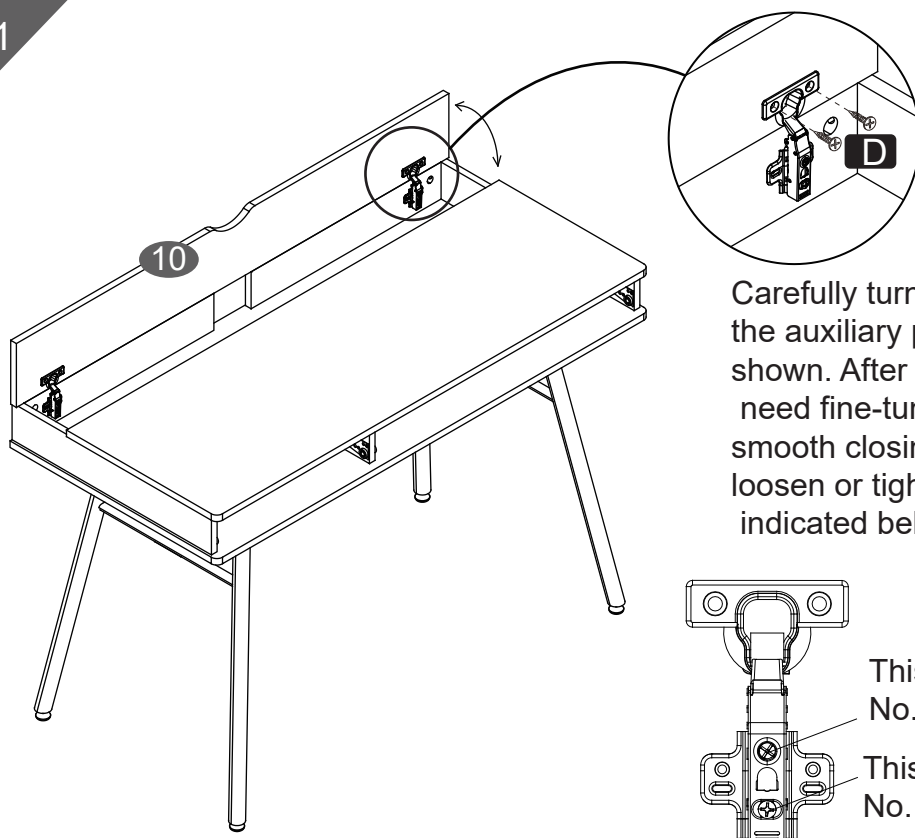


Assemble the supporting tubes (2) to the bottom panel (18) using screws (E), and to the main structures (1) using screws (G) as shown. To avoid misalignments, screw all loose and **DO NOT** tighten until all screws are in their positions. After all screws are placed, proceed to tighten these screws and the ones from step 19.

NOTE:

Placing and tightening the screws one by one might cause the holes not to align.

21



Carefully turn the table upright. Assemble the auxiliary panel (10) using screws (D) as shown. After installing the hinges, they might need fine-tuning for proper alignment and smooth closing. If adjust is necessary, loosen or tighten the 2 adjusting screws as indicated below.

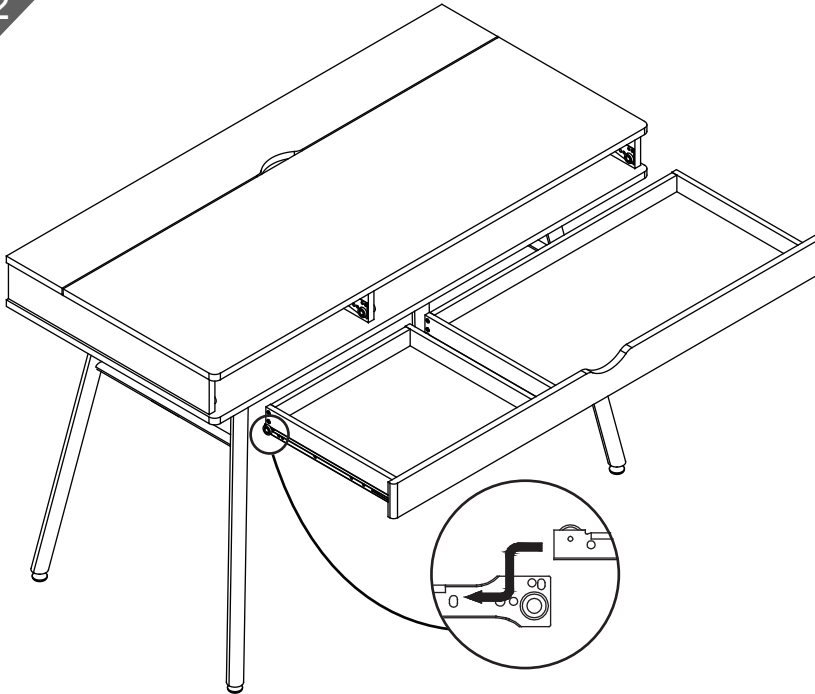
This screw can adjust the No.10 panel back and forth.

This screw can adjust the No.10 panel up and down.



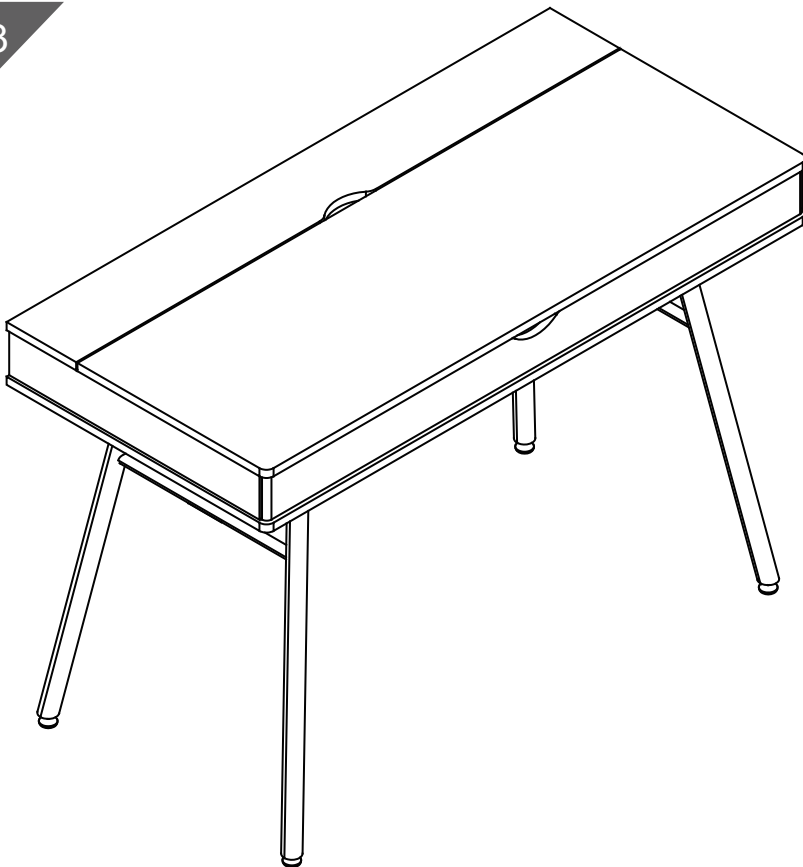
▪ STEPS

22



Insert the drawers into the table as shown.

23



FINISHED!
Enjoy your new unit!

CARE AND MAINTENANCE

English

- DO NOT EXPOSE THE SURFACES TO DIRECT SUNLIGHT, OR EXTREME ENVIRONMENTAL CONDITIONS. EXPOSURE WILL DAMAGE THE PRODUCT, WHICH IS NOT COVERED BY THE WARRANTY.
- DO NOT USE SOLVENTS OVER SURFACES OR STRUCTURAL TUBES. SURFACES MUST BE CLEANED WITH A SOLUTION OF A SMOOTH SOAP AND WATER, THEN CLEARED WITH A DRY TOWEL.
- PRODUCTS THAT ARE HEAVY SHOULD BE LIFTED OR MOVED BY AT LEAST 2 PERSONS, AND ALL OBJECTS SHOULD BE REMOVED FROM THE PRODUCT.