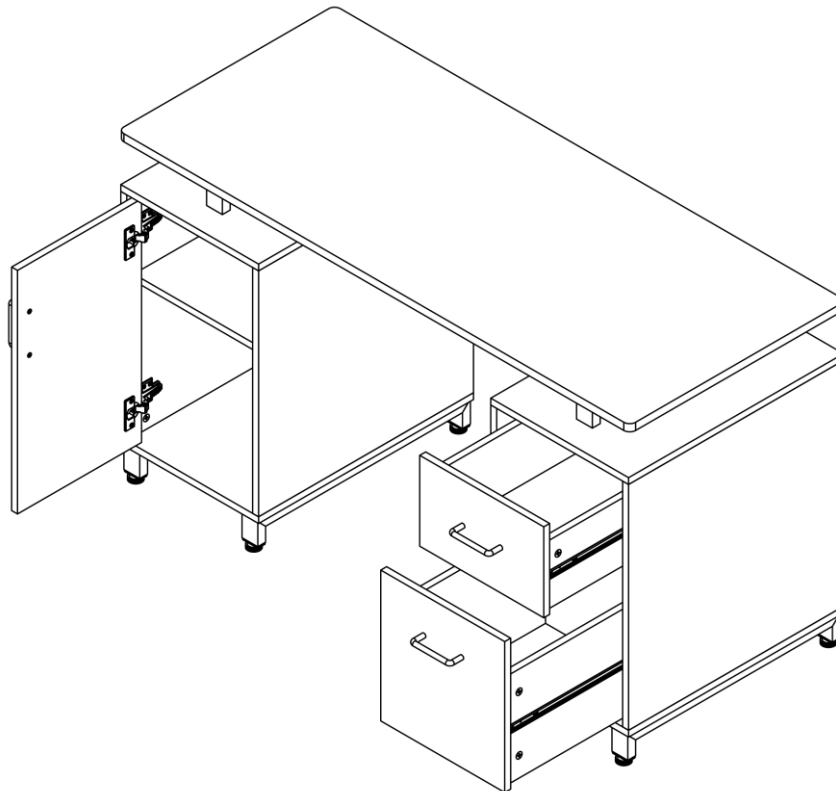


# MODEL RTA-0054

## ASSEMBLY INSTRUCTIONS

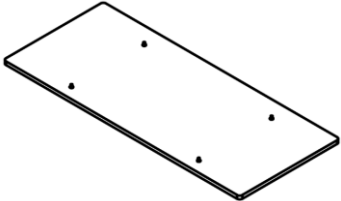
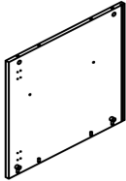
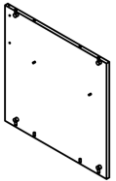
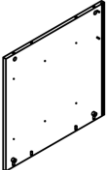
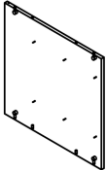
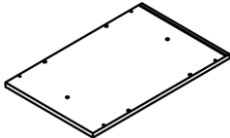
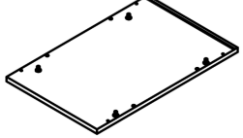
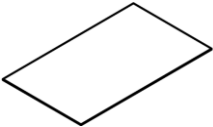
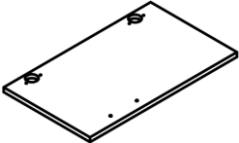
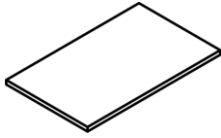
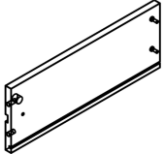
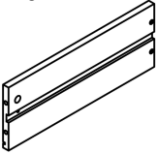
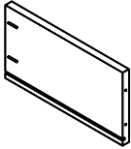
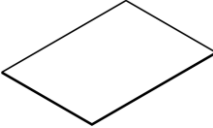
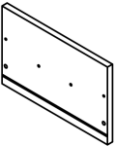
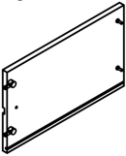
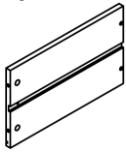
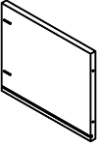
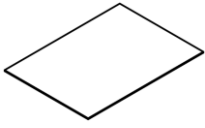
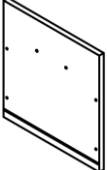
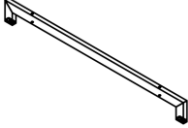
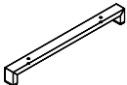
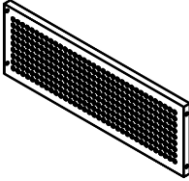



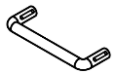
Thank you for purchasing one of our products.  
Please read carefully the assembly instructions before the installation.  
Do not discard this manual or any of the packaging material until the unit  
has been completely assembled.



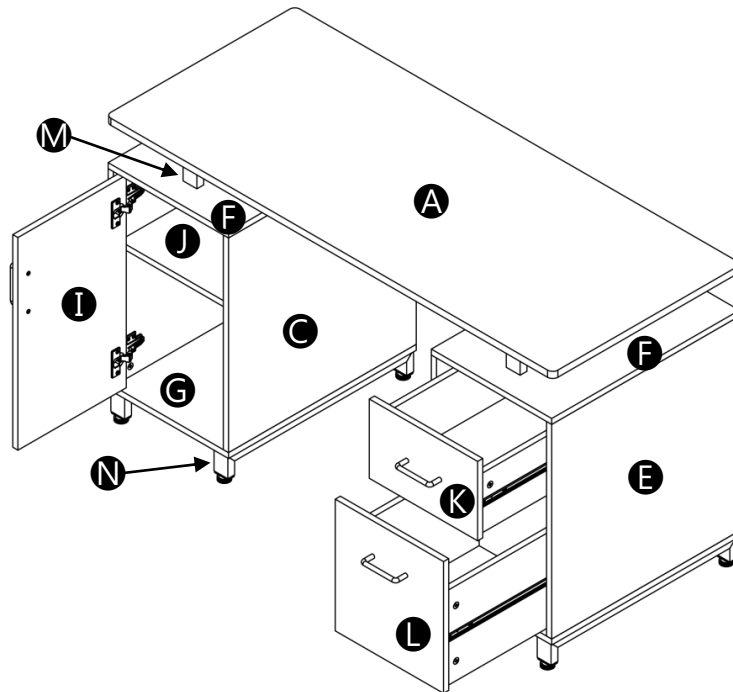
Imported By














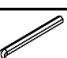




## MAIN PARTS LIST

<b>A</b> x1 Main panel 	<b>B</b> x1 Left panel for left cabinet 	<b>C</b> x1 Right panel for left cabinet 	
<b>D</b> x1 Left panel for drawers' cabinet 	<b>E</b> x1 Right panel for drawers' cabinet 	<b>F</b> x2 Top panels for the cabinets 	<b>G</b> x2 Bottom panel for the cabinets 
<b>H</b> x2 Back panels for the cabinets 	<b>I</b> x1 Door panel for left cabinet 	<b>J</b> x1 Removable panel 	<b>K1</b> x1 Left panel for small drawer 
<b>K2</b> x1 Right panel for small drawer 	<b>K3</b> x1 Back panel for small drawer 	<b>K4</b> x1 Bottom panel for small drawer 	<b>K5</b> x1 Front panel for small drawer 
<b>L1</b> x1 Left panel for large drawer 	<b>L2</b> x1 Right panel for large drawer 	<b>L3</b> x1 Back panel for large drawer 	<b>L4</b> x1 Bottom panel for large drawer 
<b>L5</b> x1 Front panel for large drawer 	<b>M</b> x2 Top metal supports for the main panel 	<b>N</b> x4 Bottom metal supports for the cabinets 	<b>O</b> x1 Metal back panel 
<b>P</b> x8 Studs 	<b>Q</b> x4 Sliders for drawers 	<b>R</b> x2 Hinges 	<b>S</b> x3 Handles 

## MAIN PARTS LAYOUT (FOR REFERENCE):



## SCREWS LIST:

PART	QTY	SIZE / DESCRIPTION / FIGURE	PART	QTY	SIZE / DESCRIPTION / FIGURE
1	16	Large wooden pins for cabinets 	11	4	52L 
2	22	Cam bolts 	12	4	12L 
3	16	Large cam locks for cabinets 	13	8	38mm 
4	12	12mm 	14	6	Small cam locks for the drawers 
5	12	15mm 	15	2	Small wooden pins for small drawer 
6	4	Metal pins 	16	1	4mm Allen wrench 
7	6	22L 			
8	4	9L 			
9	8	32L 			
10	4	40L 			

NOTE: You will also need for the assembly a Phillips screwdriver and mallet/hammer (not included).

▣ This unit uses cam bolts and locks. The following explains how to use them.  
This is not an assembly step; it is a guide for when you are actually doing the assembly using this kind of hardware.

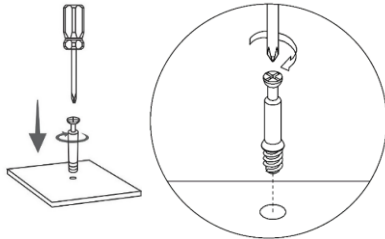
Cam Bolt



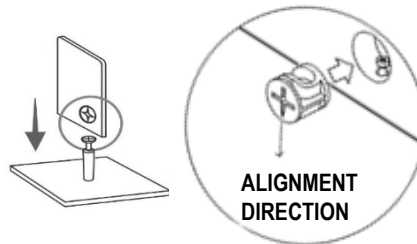
Cam Lock



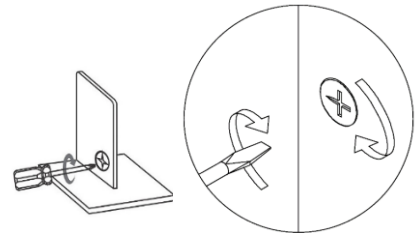
1. Screw the bolt into the corresponding panel.



2. In the other panel, insert the cam lock and align it so it can properly receive the bolt, then join both panels (the cam locks might come pre-installed in this unit).



3. The panels might have a very small gap which is normal; turn the cam lock clockwise to lock the parts together and the gap will also close.



#### BEFORE YOU START THE ASSEMBLY, PLEASE READ THE FOLLOWING TIPS AND WARNINGS.

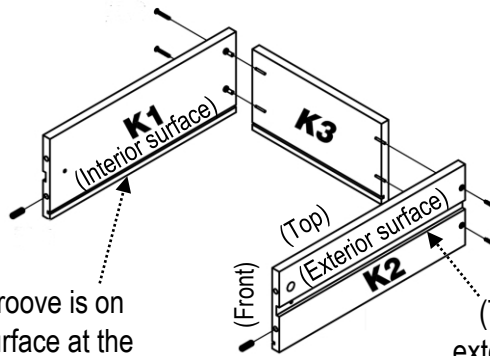
- Do a quick inventory to make sure the product contains all the parts and hardware.
- Missing, damaged and defective parts can be replaced at no cost to you. Please refer to the CONTACT card included with the product.
- The replacement parts service is limited to the continental United States. If you reside in Hawaii, Puerto Rico, U.S. Dependencies or other countries, please contact the supplier from where the unit was purchased.
- If during assembly you find an issue or need clarification, please contact our Customer Service for assistance. Please refer to the CONTACT card included with the product.
- On each step read the instructions and analyze the illustrations thoroughly before proceeding to do the assembly.
- Make sure you understand which hardware will be used on each step. Using the wrong size of screw, bolt or pin might strip the threads or cause damage to the part in which it is being used.
- To avoid misalignments, always leave the screws loose and tighten them until all pieces are positioned correctly.
- Do not overtighten or force the screws as they might break, strip, damage the threads of the holes or get stuck inside the part.
- Sometimes the laminate might cover partially or entirely the hole on a panel, but the hole should still be located under the laminate.
- If there is no visible hole for the screw, pass and press the tip of your finger over the area where the hole should be located to feel the indentation, and once found, carefully pierce the laminate to reveal the hole underneath.
- If the hole seems too small for the screw, first make sure you are using the correct size of screw and that it's been installed in the correct hole. If the hole still appears to be too small, carefully pierce the laminate to reveal the hole's actual size.

**STEPS 1 THRU 8: DRAWERS ASSEMBLY**

**STEP 1**

First insert the wooden pins (15) into the bottom holes on the front profile of the side panels (K1) and (K2), then assemble the back panel (K3) to the side panels using screws (13) as Shown.

**Hardware/tools:**

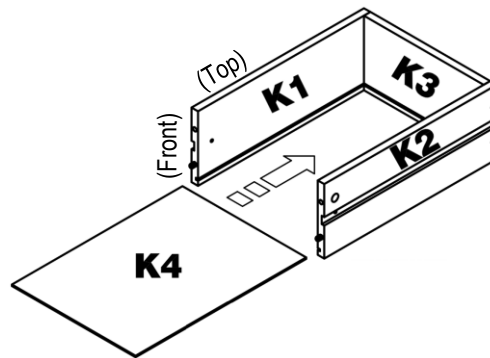


(The small groove is on the interior surface at the bottom on all panels)

(The large groove is on the exterior surface in the middle of the side panels)

**STEP 2**

Slide the bottom panel (K4) thru the grooves of all panels (K1), (K2) and (K3).



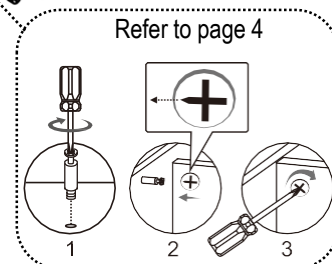
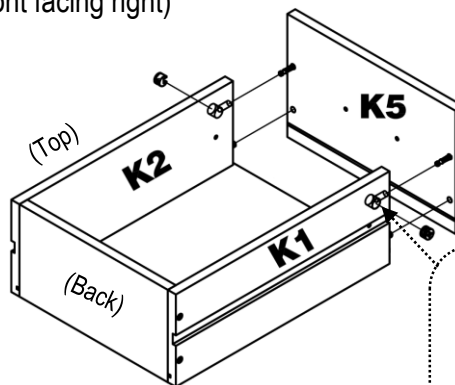
**STEP 3**

First attach the cam bolts (2) on the top holes of the interior surface on the front panel (K5), then install and align the cam locks (14) on the side panels (K1) and (K2), and finally assemble the front panel (K5) as shown and as explained in page 4.

**Hardware/tools:**



(This view shows the drawer from behind with its front facing right)



**STEP 4**

Assemble one of the handles (S) to the front panel (K5) using screws (7) from the inside as shown.

**Hardware/tools:**

7

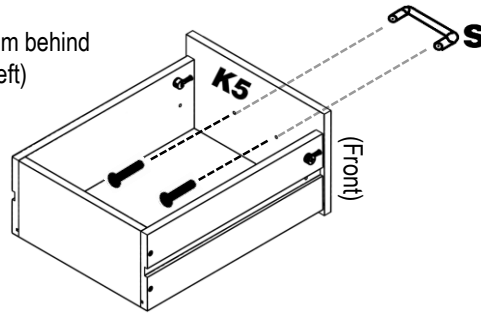


2 Pcs



(NOT INCLUDED)

(This shows the drawer from behind with its front facing to the left)



**STEP 5**

Assemble the back panel (L3) to the side panels (L1) and (L2) using screws (13) as shown.

**Hardware/tools:**

13



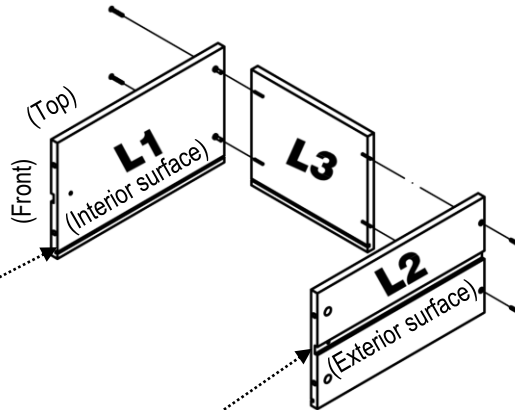
4 Pcs



(NOT INCLUDED)

(The small groove is on the interior surface at the bottom on all panels)

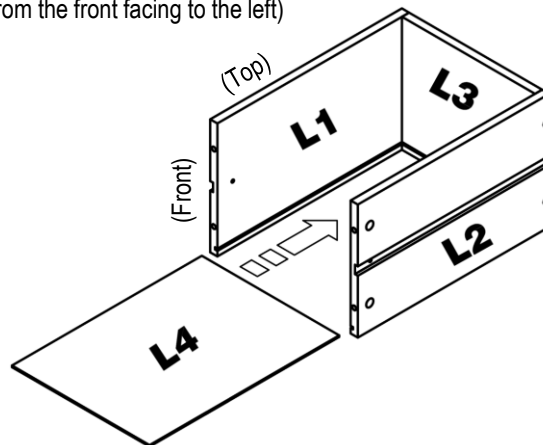
(The large groove is on the exterior surface in the middle of the side panels)



**STEP 6**

Slide the bottom panel (L4) thru the grooves of all panels (L1), (L2) and (L3).

(This view is from the front facing to the left)



**STEP 7**

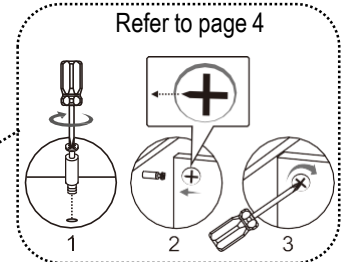
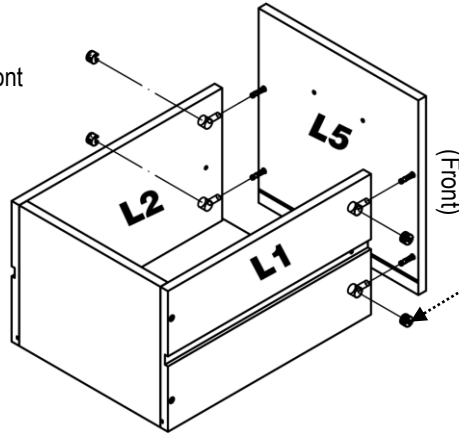
Assemble the front panel (L5) to the side panels (L1) and (L2) using cam locks (14) and cam bolts (2) just as in step 3 and as explained in page 4.

**Hardware/tools:**

14		4 Pcs
2		4 Pcs

  
(NOT INCLUDED)

(This view is from behind with the front facing to the right)



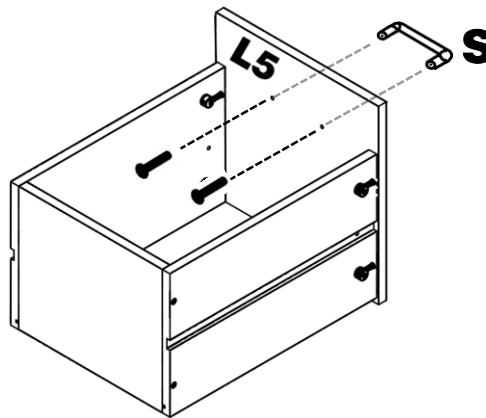
**STEP 8**

Assemble the second handle (S) to the front panel (L5) using screws (7) from the inside as shown.

**Hardware/tools:**

7		2 Pcs
---	---	-------

  
(NOT INCLUDED)






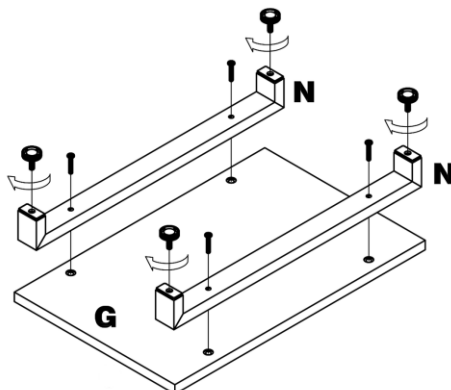
**STEPS 9 THRU 14: CABINETS ASSEMBLY**

**STEP 9**

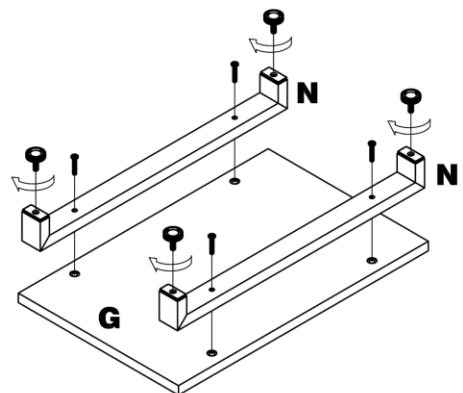
Place one of the panels (G) upside-down and assemble 2 of the bottom frames (N) using screws (9), then attach the studs (P) as shown. Then repeat for the second cabinet base.

**Hardware/tools:**

P		8 Pcs
9		8 Pcs
17		



Repeat for the second cabinet base:



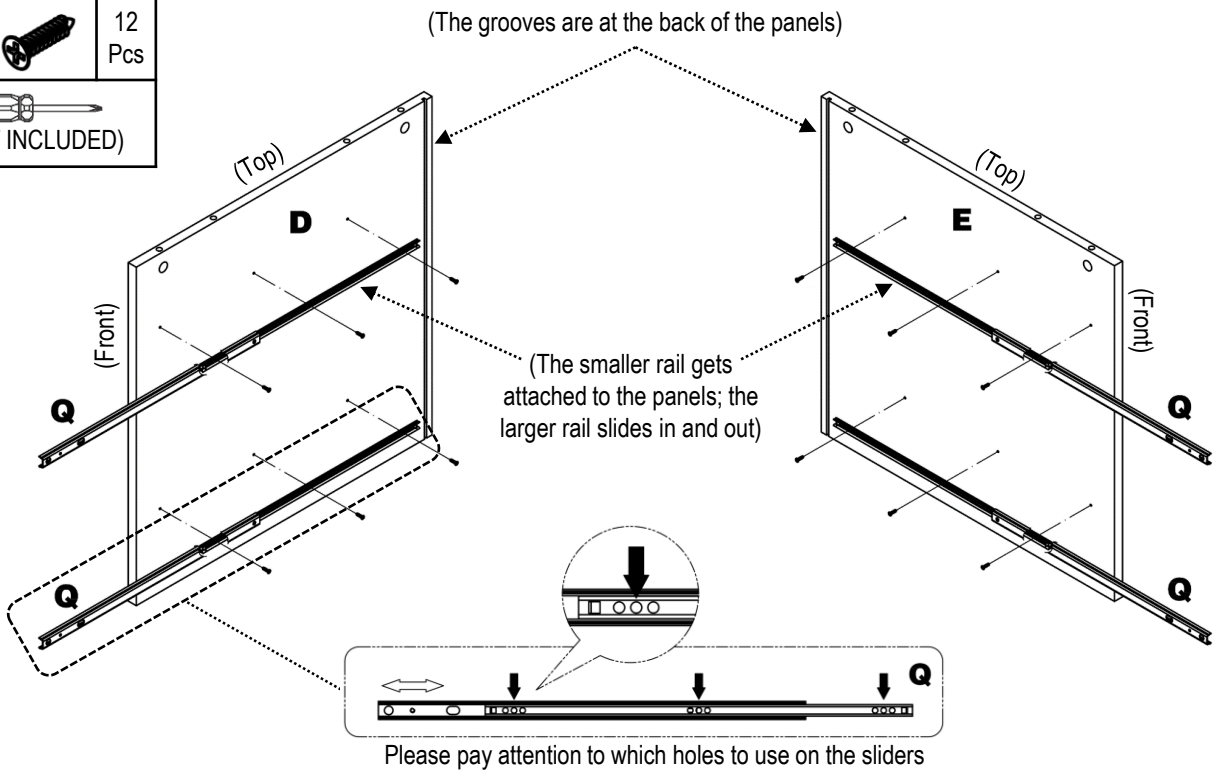
**STEP 10**

With the side panels **D** and **E** oriented as shown, assemble the sliders **Q** using screws **4**, making sure the smaller rails attach to the panels, and the larger rails slide in and out.  
**TIP:** Assemble first on the back holes of the sliders

**Hardware/tools:**

4		12 Pcs
---	---	-----------

  
 (NOT INCLUDED)



**STEP 11**

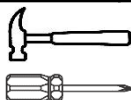
First insert the wooden pins **1** into the innermost set of holes on the top surface of bottom panel **G**, then attach the cam bolts **2** into the outermost sets of holes; then insert and align the cam locks **3** into the bottom sets of holes on the side panels **D** and **E** and finally, assemble the side panels to **G** as shown and as explained in page 4.

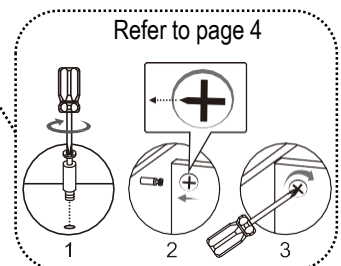
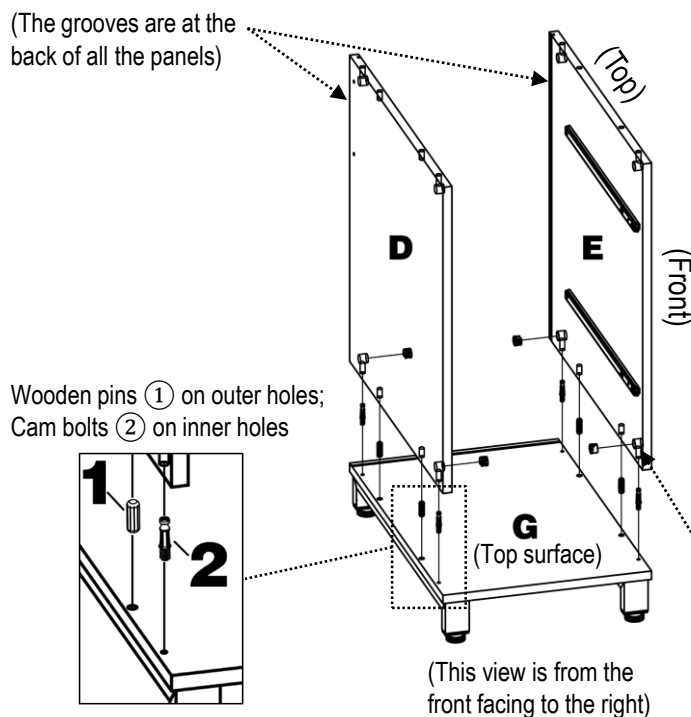
**Hardware/tools:**

1		4 Pcs
---	---	----------

2		4 Pcs
---	---	----------

3		4 Pcs
---	---	----------

  
 (NOT INCLUDED)




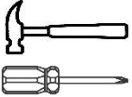


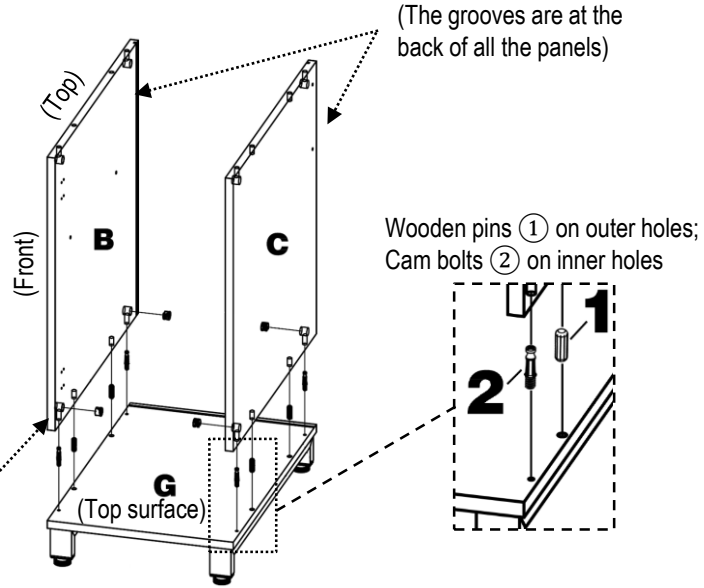


**STEP 12**

Assemble the side panels **B** and **C** to the second panel **G** using wooden pins **1**, cam bolts **2** and cam locks **3** just as it was explained in step 11 and in page 4.

**Hardware/tools:**

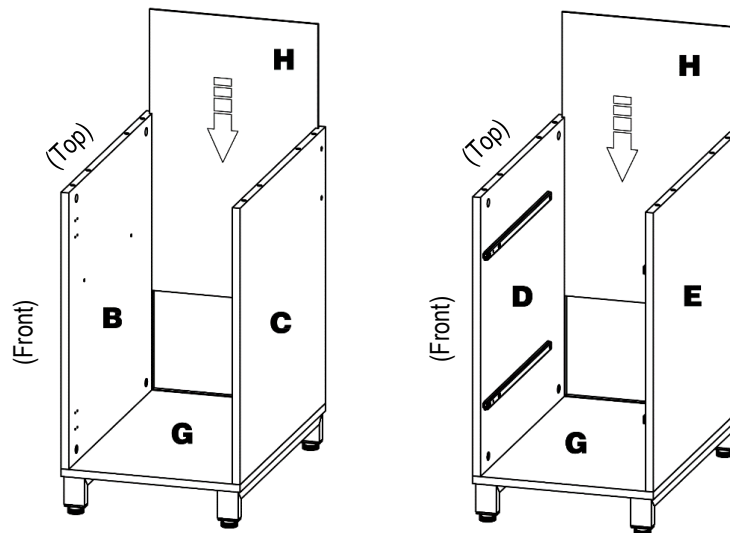
<b>1</b>		4 Pcs
<b>2</b>		4 Pcs
<b>3</b>		4 Pcs
 (NOT INCLUDED)		



**STEP 13**

Slide the back panels **H** thru the grooves of panels **B-C-G** and **D-E-G** respectively as shown.

(This view shows the cabinets in their respective positions, from the front facing to the left)



**STEP 14**

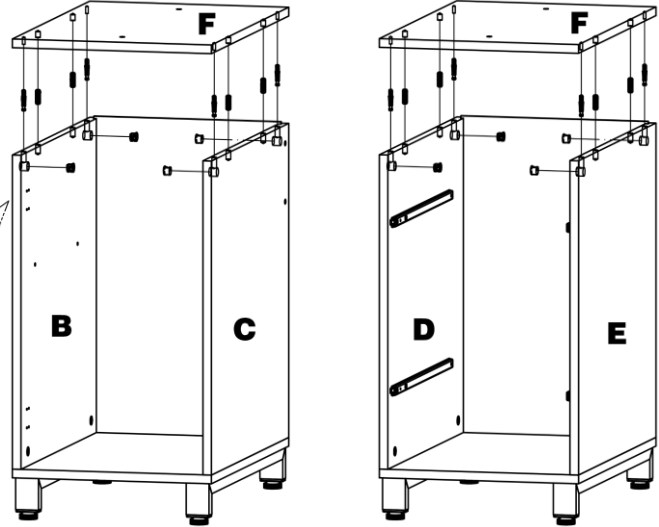
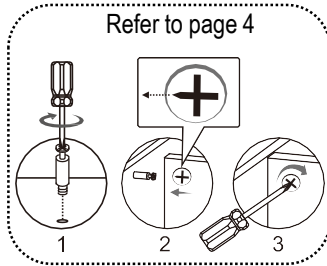
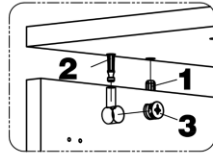
Assemble the cabinet top panels (F) to the side panels (B-C) and (D-E) respectively using wooden pins (1), cam bolts (2) and cam locks (3) as shown and as explained in page 4.

**Hardware/tools:**

1		8 Pcs
2		8 Pcs
3		8 Pcs



Wooden pins (1) on outer holes;  
Cam bolts (2) on inner holes





**STEPS 15 THRU 24: REST OF UNIT ASSEMBLY**

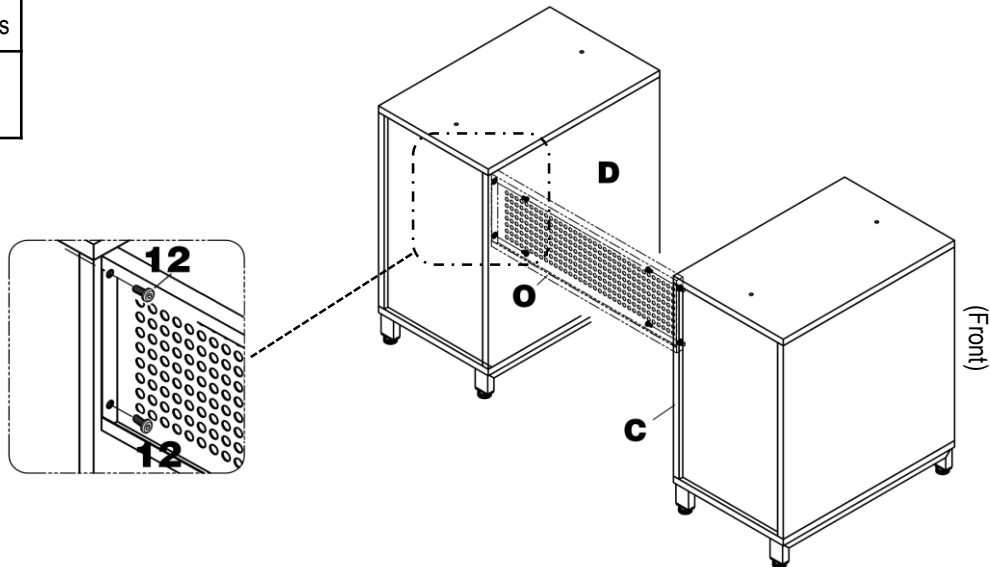
**STEP 15**

Assemble the metal back panel (O) to the side panels (C) and (D) using screws (12) as shown.

**Hardware/tools:**

12		4 Pcs
17		

(This view shows the unit from behind facing to the right)



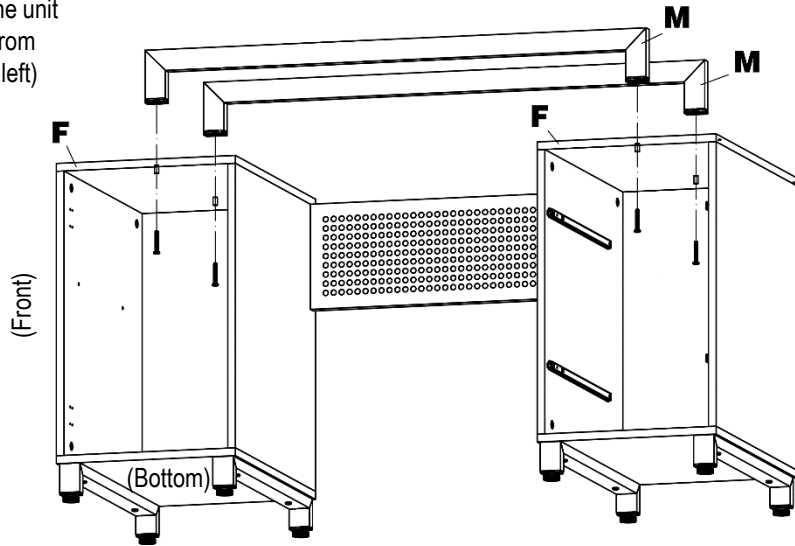
**STEP 16**

Assemble the top metal support frames (M) to both cabinet top panels (F) using screws (10) as shown.

**Hardware/tools:**



(This view shows the unit from the front and from below facing to the left)



**STEP 17**

Assemble the hinges (R) to the left panel (B) using screws (5) only on the oval holes.

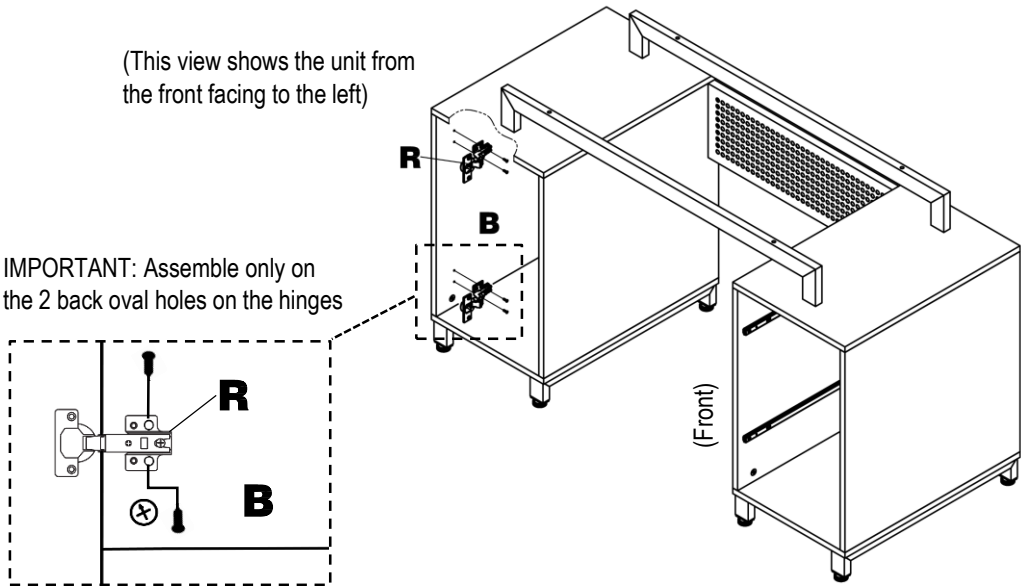
**Hardware/tools:**



(NOT INCLUDED)

(This view shows the unit from the front facing to the left)

**IMPORTANT:** Assemble only on the 2 back oval holes on the hinges



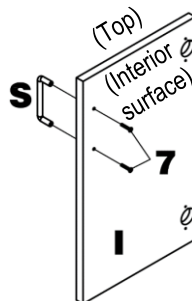
**STEP 18**

Assemble the last handle (S) to the exterior surface of the door panel (1) using screws (7).

**Hardware/tools:**



(NOT INCLUDED)



**STEP 19**

Assemble the door ① to the hinges ② using screws ⑤ as shown.

**Hardware/tools:**

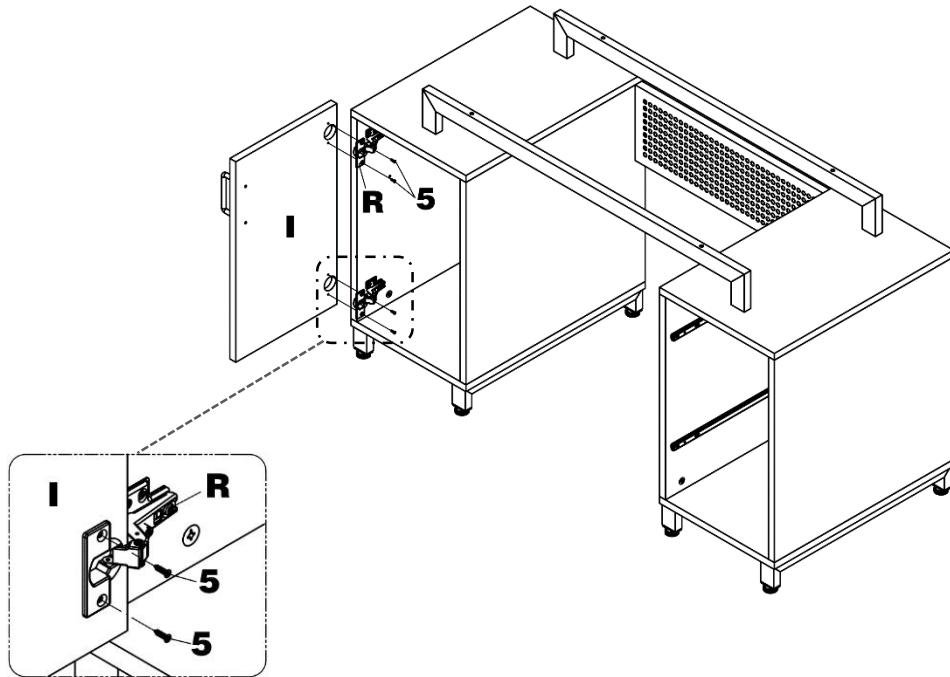
⑤



4  
Pcs



(NOT INCLUDED)



**STEP 20**

Fine-tune the hinges ② to make the door ① close smoothly by adjusting the screws indicated below, then secure with screws ⑤ on the 2 other holes on the hinges as shown.

**Hardware/tools:**

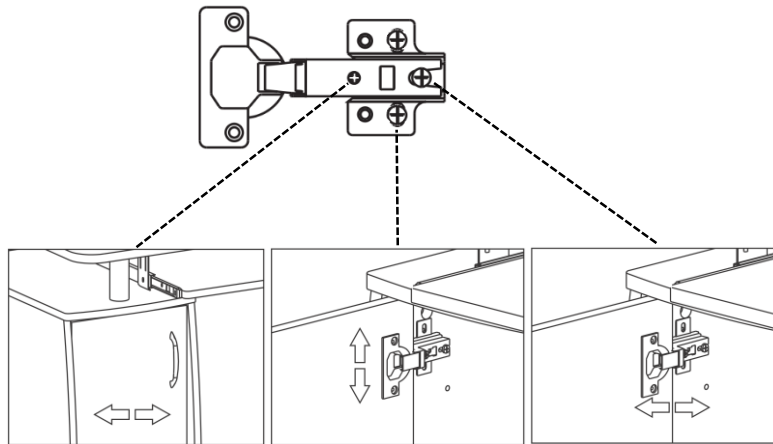
⑤



4  
Pcs



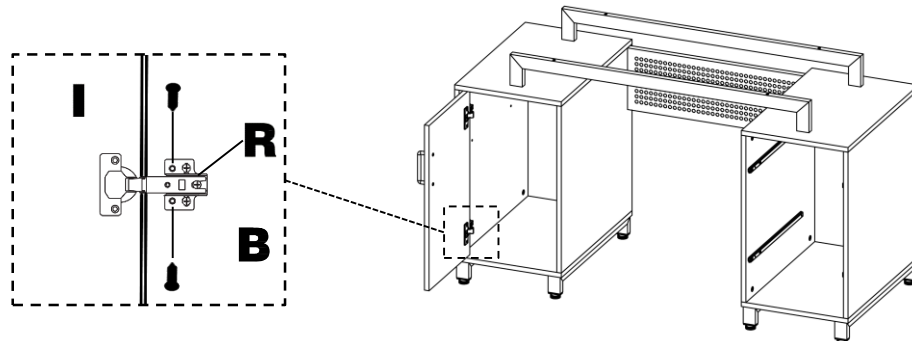
(NOT INCLUDED)



Adjusts side-to-side.

Adjusts the height.

Adjusts the depth.



STEP 21

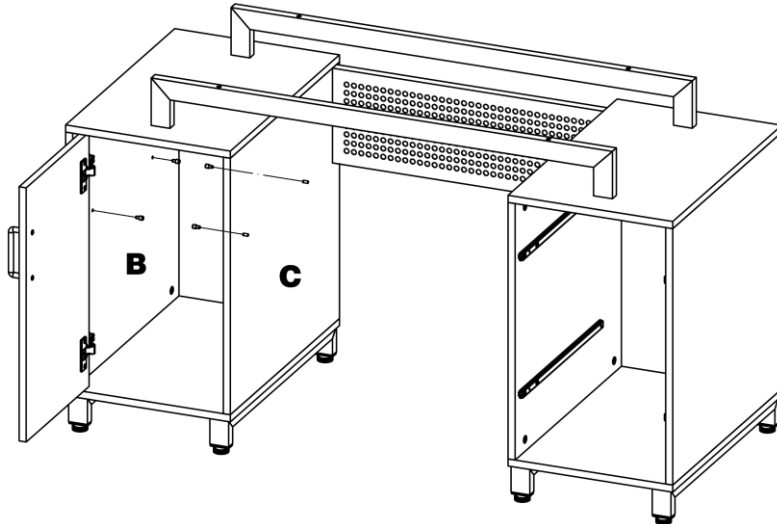
Hardware/tools:

6

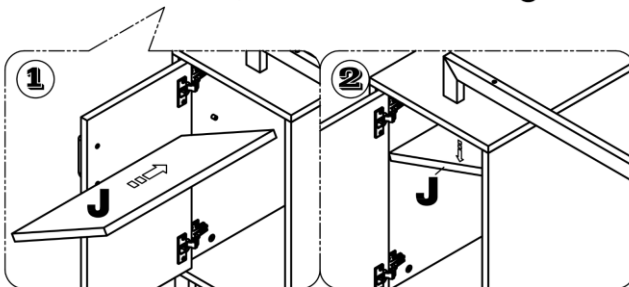
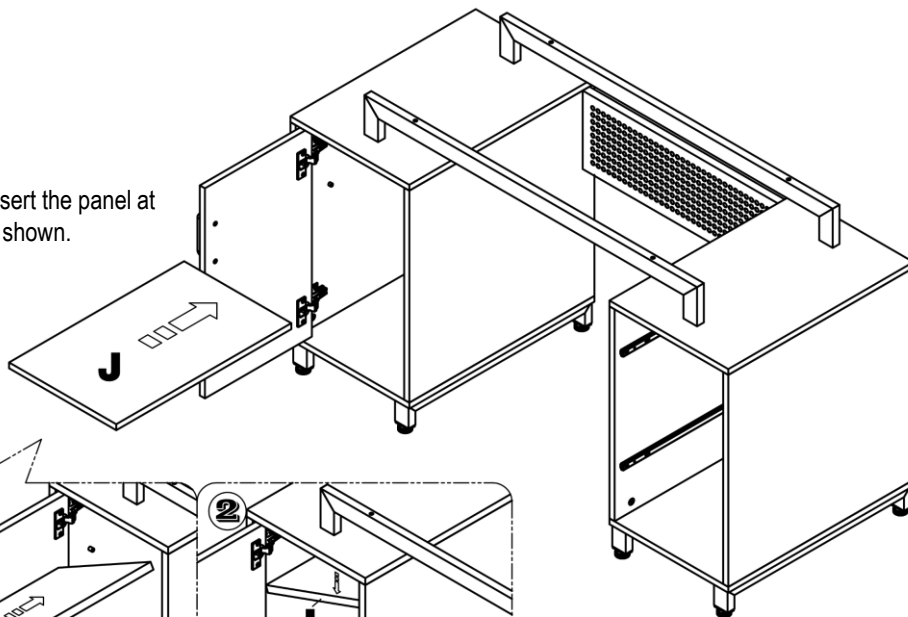


4  
Pcs

First install the metal pins ⑥ into the sets of holes on panels ② and ③ of the left cabinet, then insert and place the removable panel ⑩ over the pins.



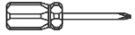
You might need to insert the panel at an angle as shown.



**STEP 22**

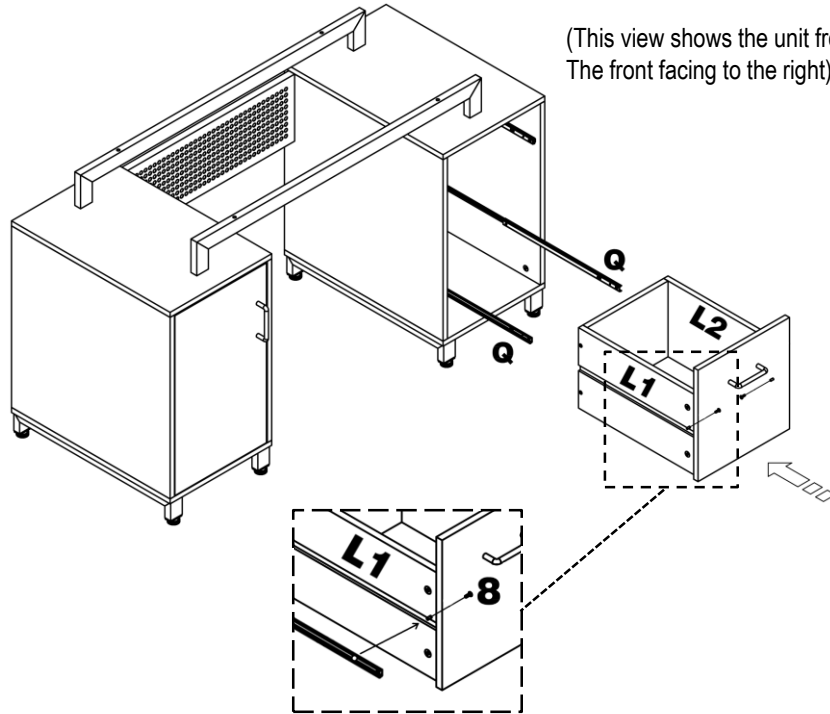
On the right cabinet pull out the bottom sliders **Q** and assemble the large drawer to the sliders by fitting them into the grooves on the side panels **L1** and **L2**, then secure them with screws **8** from inside the drawer as shown.

**Hardware/tools:**



(NOT INCLUDED)

(This view shows the unit from  
The front facing to the right)



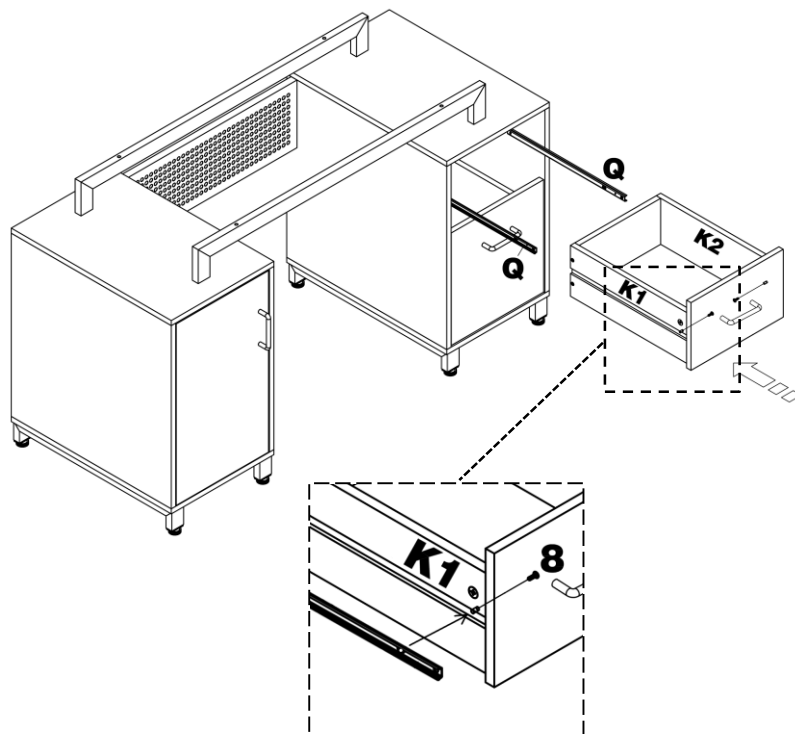
**STEP 23**

On the right cabinet pull out the top sliders **Q** and assemble the small drawer to the sliders by fitting them into the grooves on the side panels **K1** and **K2**, then secure them with screws **8** from inside the drawer as shown.

**Hardware/tools:**



(NOT INCLUDED)



**STEP 24**

**Hardware/tools:**

11



4  
Pcs

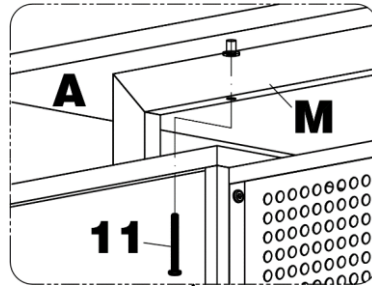
17



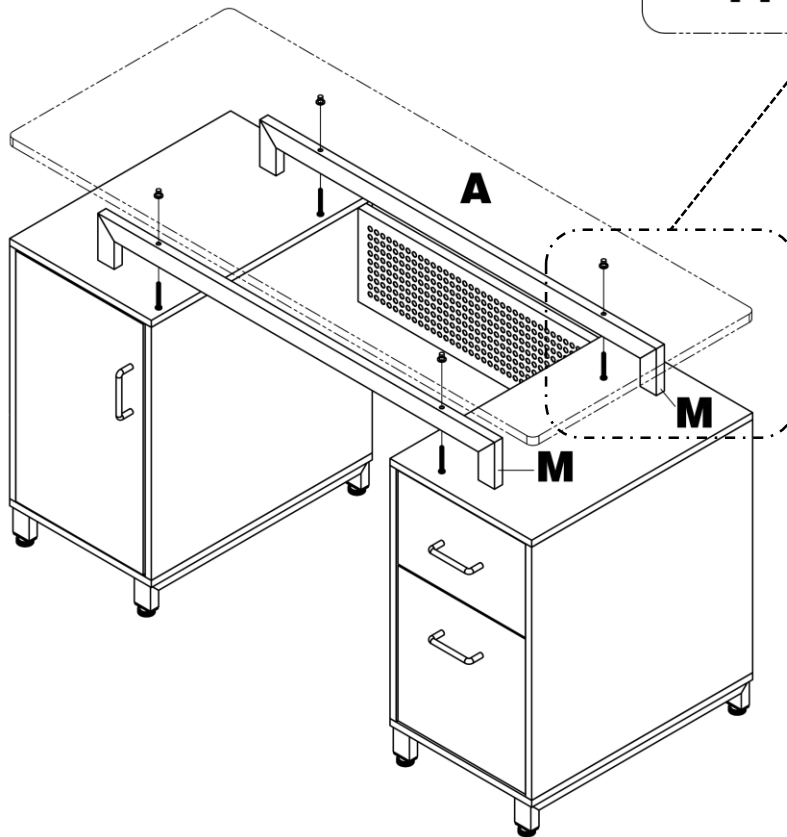
Place the main panel **(A)** over the top metal supports **(M)** making the holes coincide, and assemble the panel using screws **(11)** from underneath the unit as shown.

▣ Assembly tip: To avoid misalignments, screw loosely and tighten the screws only after all are in place.

(This view shows the unit from behind. The screws go from underneath through the metal and into the hole on the panel)

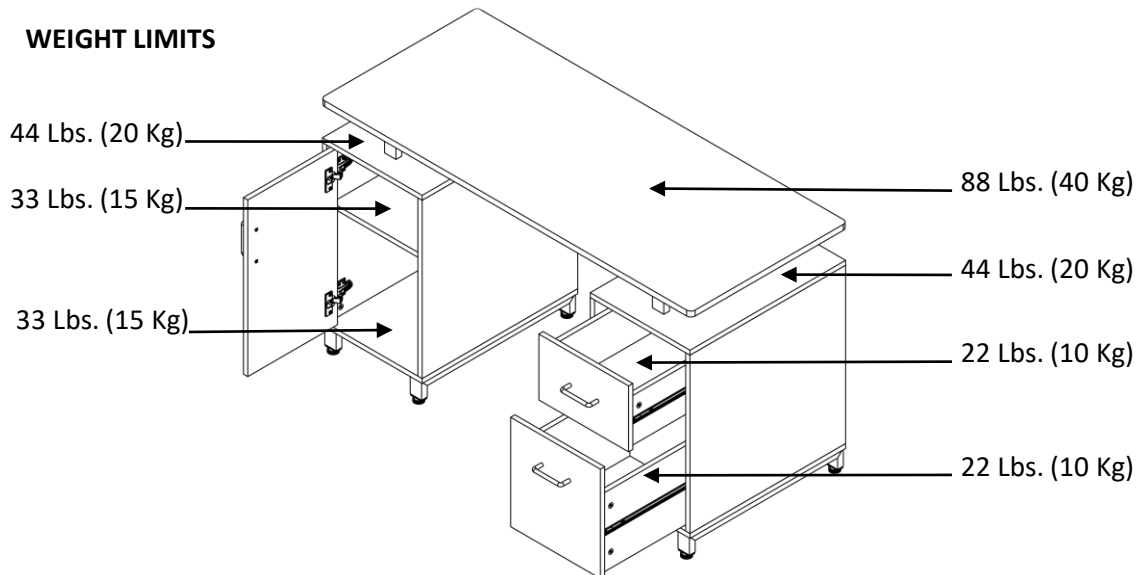


(This view shows the unit from  
The front facing to the left)



**AFTER THE ASSEMBLY IS DONE, PLEASE READ CAREFULLY THE FOLLOWING CARE AND MAINTENANCE WARNINGS:**

**WEIGHT LIMITS**



- Do not exceed the indicated weight limits.
- Do not expose the surfaces to direct sunlight or to extreme environmental conditions.
- Clean the surfaces preferable with a clean cloth damped in a solution of mild soap and water, then dry with a clean towel.
- Do not use solvents or abrasive materials to clean the unit.
- If you decide to use a cleaning agent, test first on an area hidden from view such as underneath the tabletop.
- Do not seat on the unit or lean against it.
- Do not allow small children to play under or over the unit, or inside the left cabinet.
- Do not allow small children to reach inside the drawers or left cabinet without your supervision.
- Do not drag the unit to move it around, it must be handled by at least 2 persons.
- Before moving the unit, make sure to remove any object that is heavy or might fall off.
- When lifting the unit, use both hands and bend your knees, not your backs.
- When transporting the unit to places far away, protect and secure the unit to avoid damage in transit.
- Shall any part of the unit become defective during the warranty period, replacement parts might be available to you at no charge. Please refer to the WARRANTY card included with the product.
- The warranty does not extend to regular wear and tear, nor the manufacturer assumes liability for damages or consequences due to accidents, incorrect assembly, negligence, improper use, modifications, or not heeding the above warnings.
- The warranty is limited to the continental United States. If you reside in Hawaii, Puerto Rico, U.S. Dependencies or other countries, please contact the supplier from where the unit was purchased.