

INSTALLING VANITY WITH TWO PEOPLE IS HIGHLY RECOMMENDED

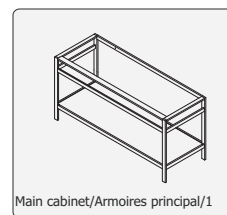
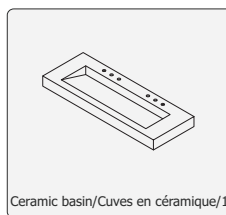
Box Contents

- Ceramic Basin/Countertop
- Vanity Base/Cabinet

Tools needed for Installation

- Adjusting feet
- Hexagon Socket Screws
- Hexagon Socket Screws
- Measuring Tape
- Calking & Calking Gun

Main Body Parts/La partie principale du corps



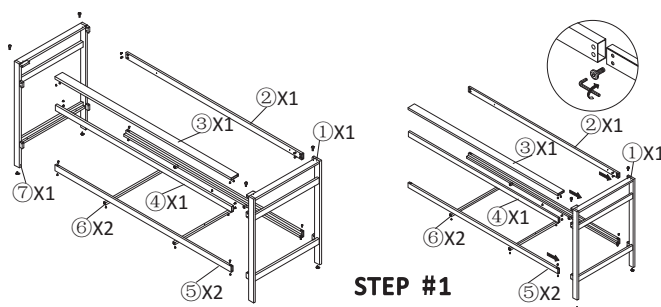
Installation Tips

- Silicone: Corners and backsplash
- Secure Vanity to Wall

• Please check your product packaging to make sure the included accessories are in the "list of standard accessories". If any parts are missing, please contact your local dealer immediately.

Installation, removal and adjustment of Hinges on Vanity

Exploded general drawing
Schéma général de la décomposition



Erecting Tool/Outils d'assemblage

- Fixing Screw x 4pcs / Vis de fixation x 4
- Adjusting feet x 4pcs / Pieds de réglage x 4
- Hexagon Socket Screws x 26pcs / Vis hexagonales intérieures x 26
- Allen Wrench x 1pc / Clé hexagonale interne x 1pc

