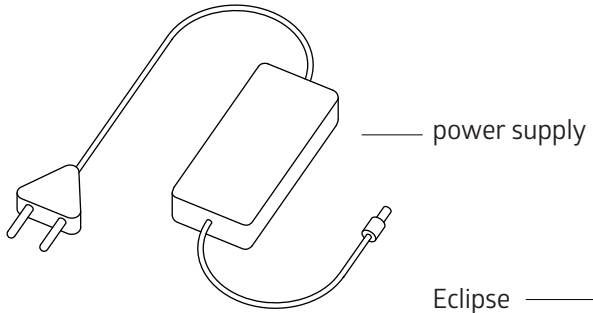
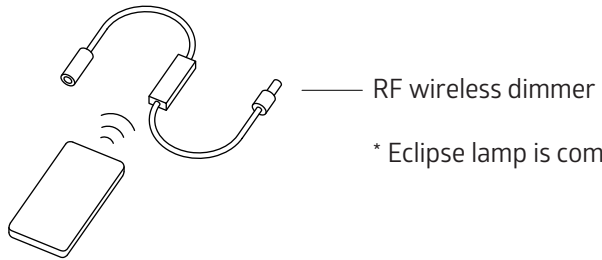


In the box

— brass nail/ holder

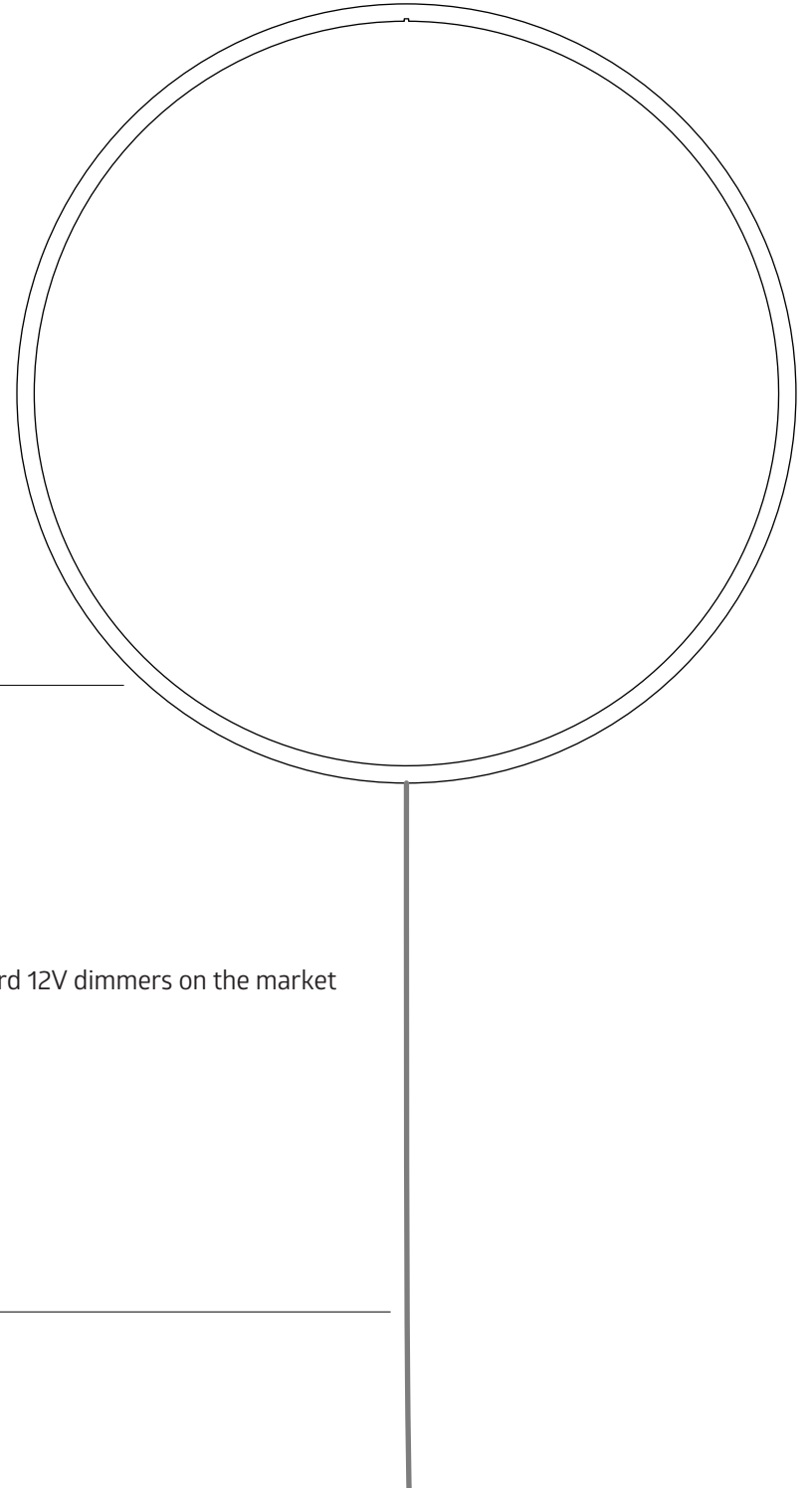


Eclipse —

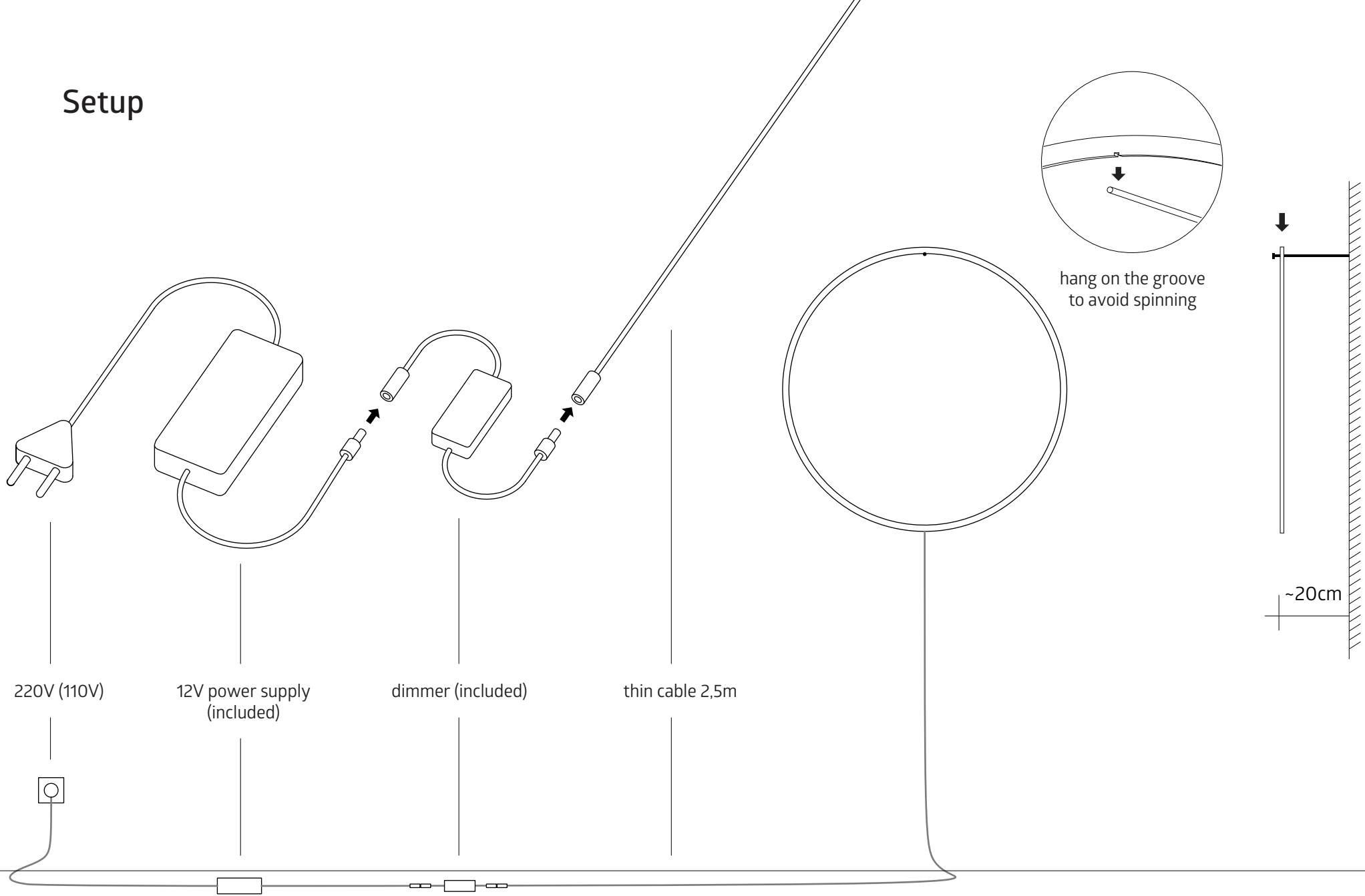


* Eclipse lamp is compatible with all standard 12V dimmers on the market

2.5m cable —



Setup



220V (110V)

12V power supply
(included)

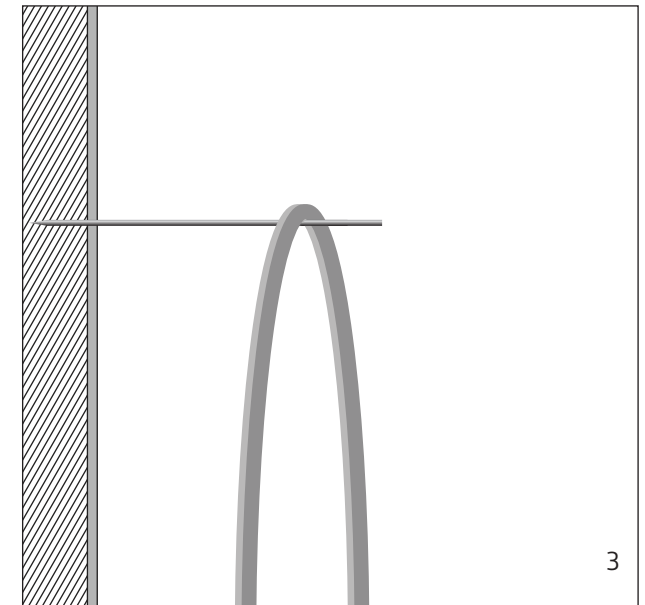
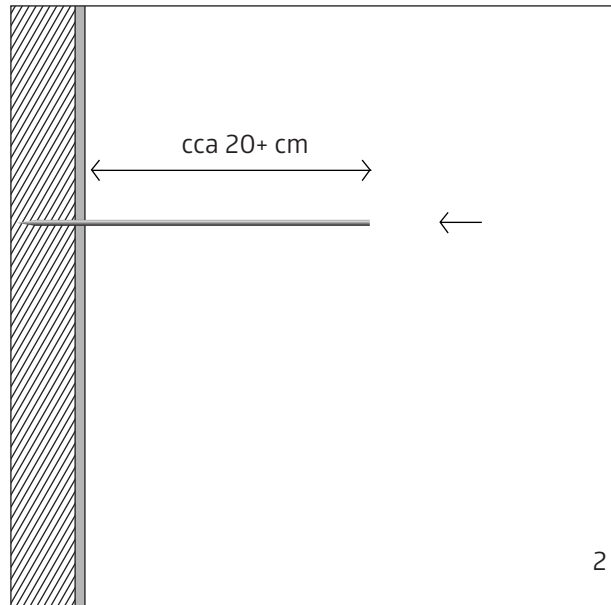
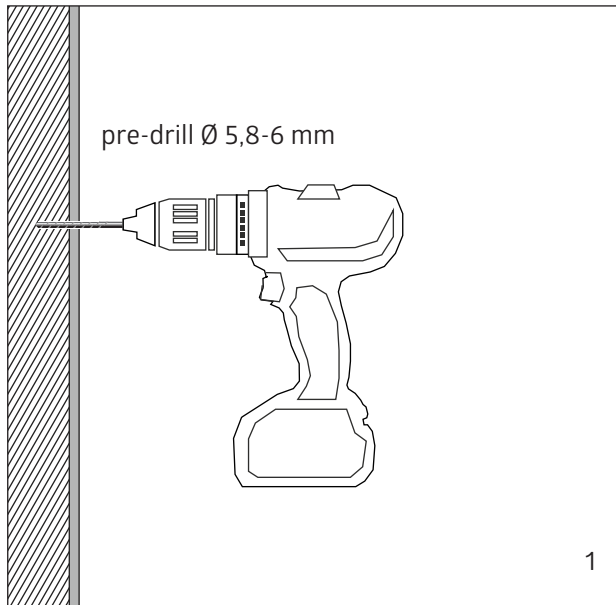
dimmer (included)

thin cable 2,5m

hang on the groove
to avoid spinning

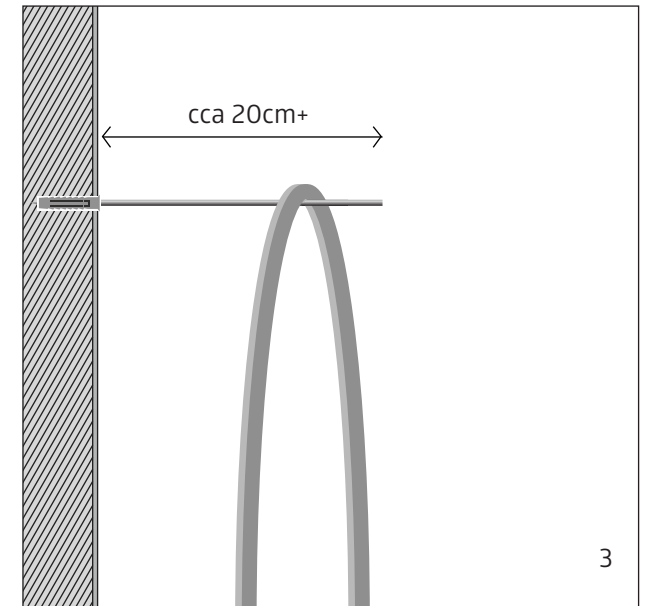
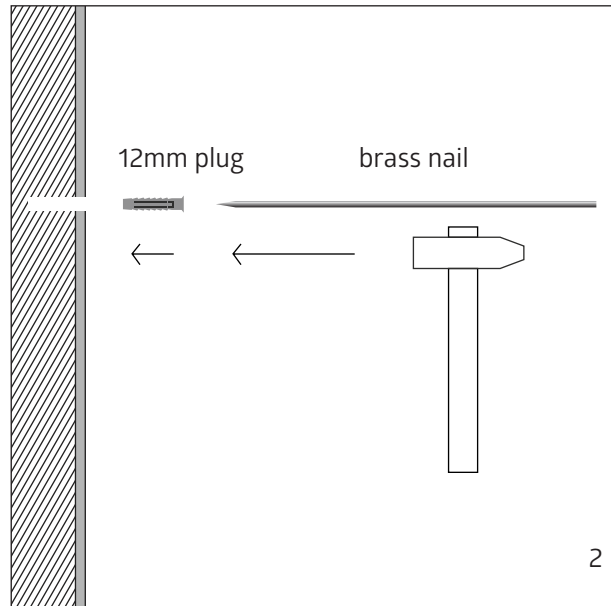
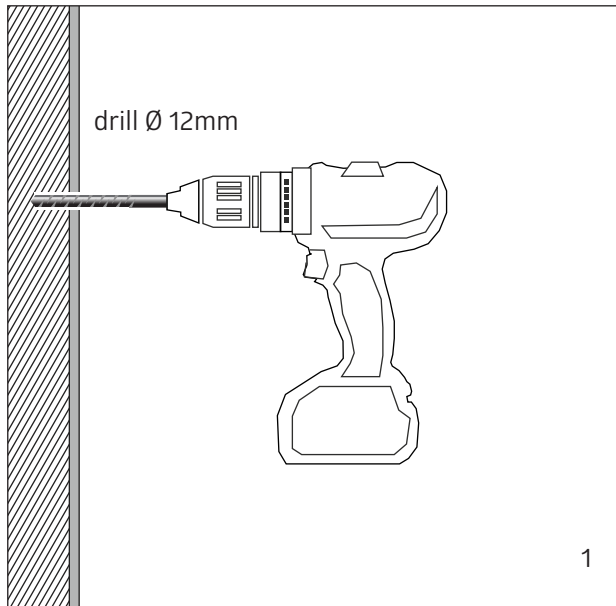
~20cm

• installation option: brass nail
for concrete, stone, wooden and plasterboard wall

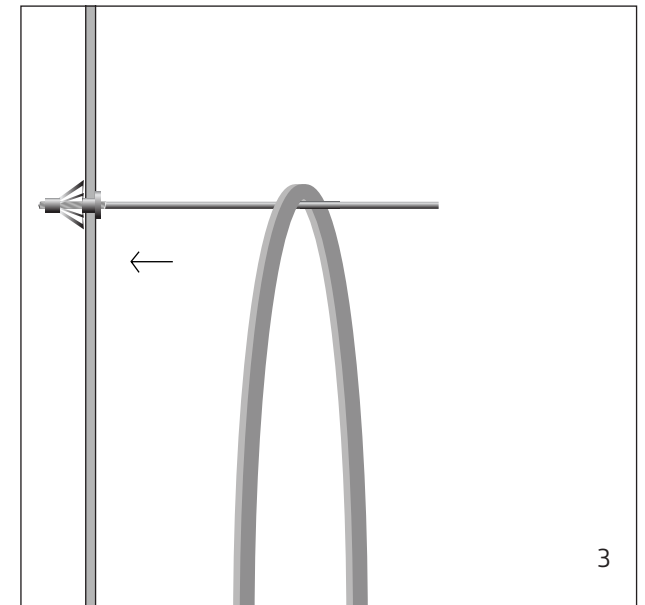
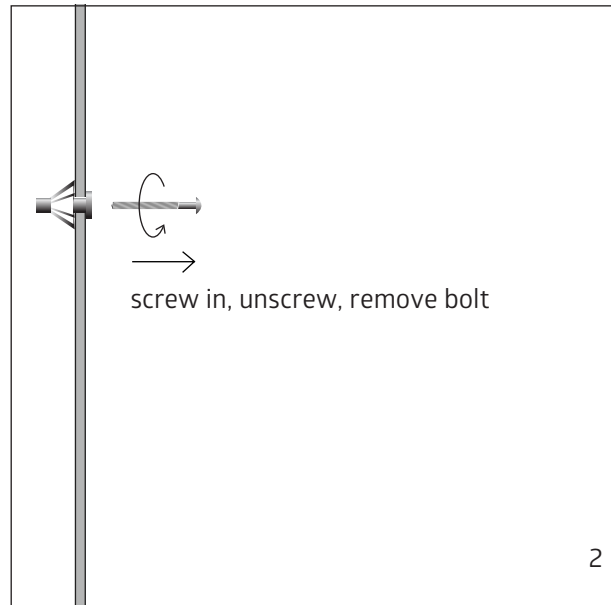
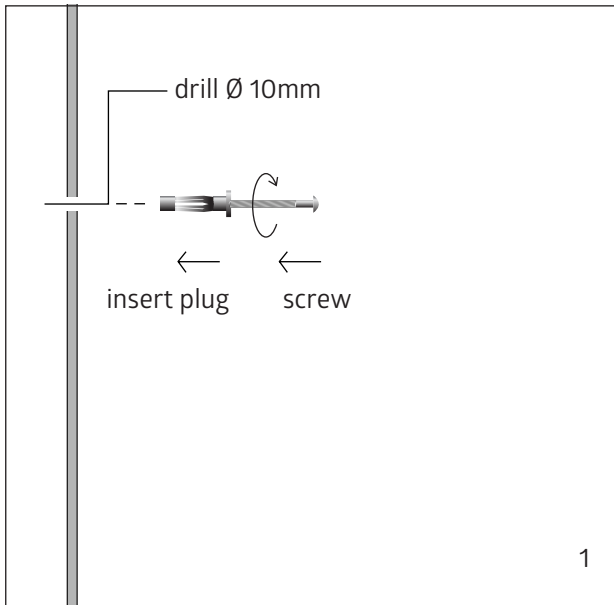


• installation option: brass nail + expansion plug (optional)

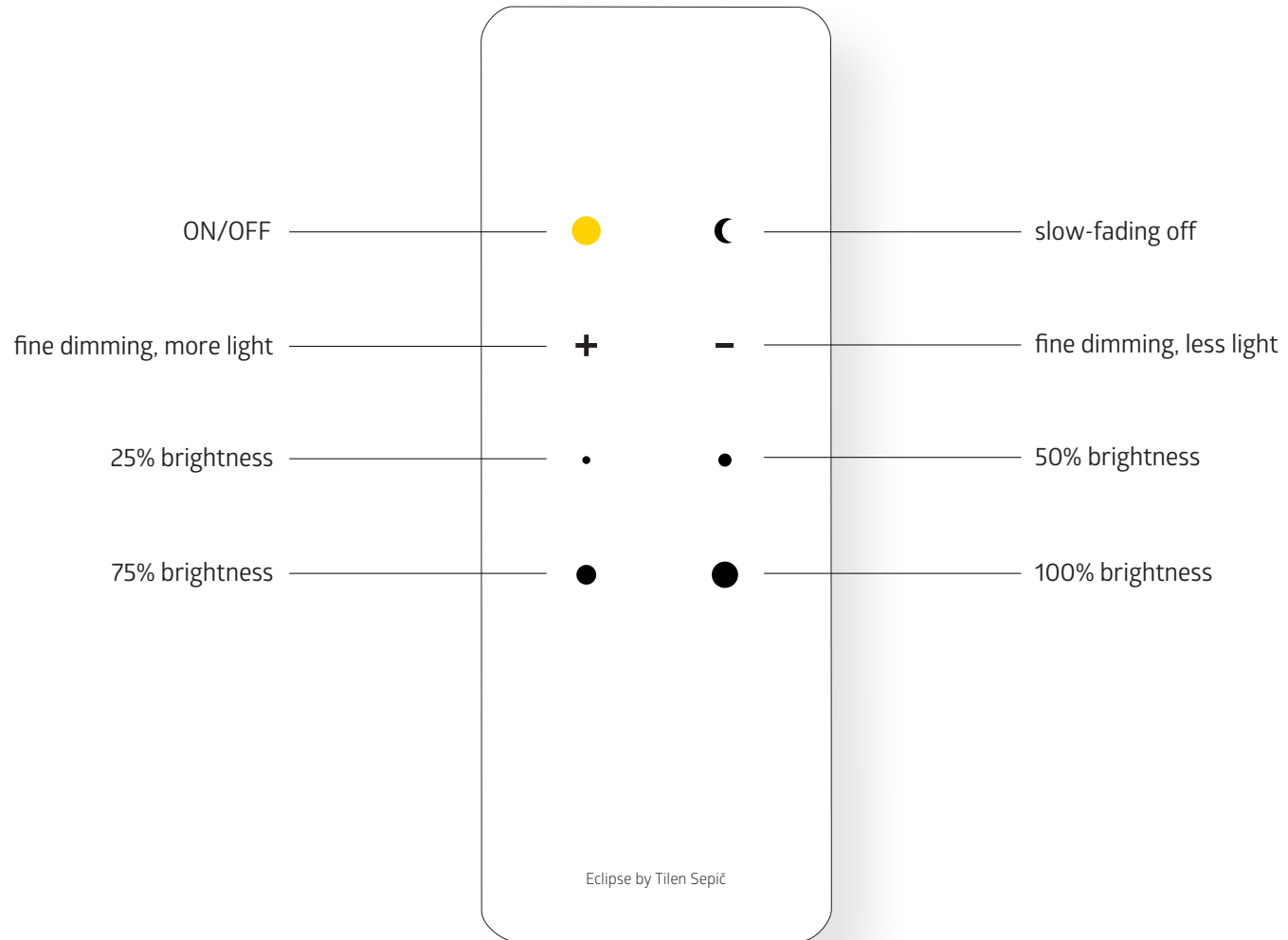
for uneven or brittle walls



- installation option: dry wall, plasterboard (optional, by request only)
for dry walls and Plasterboard, single or double



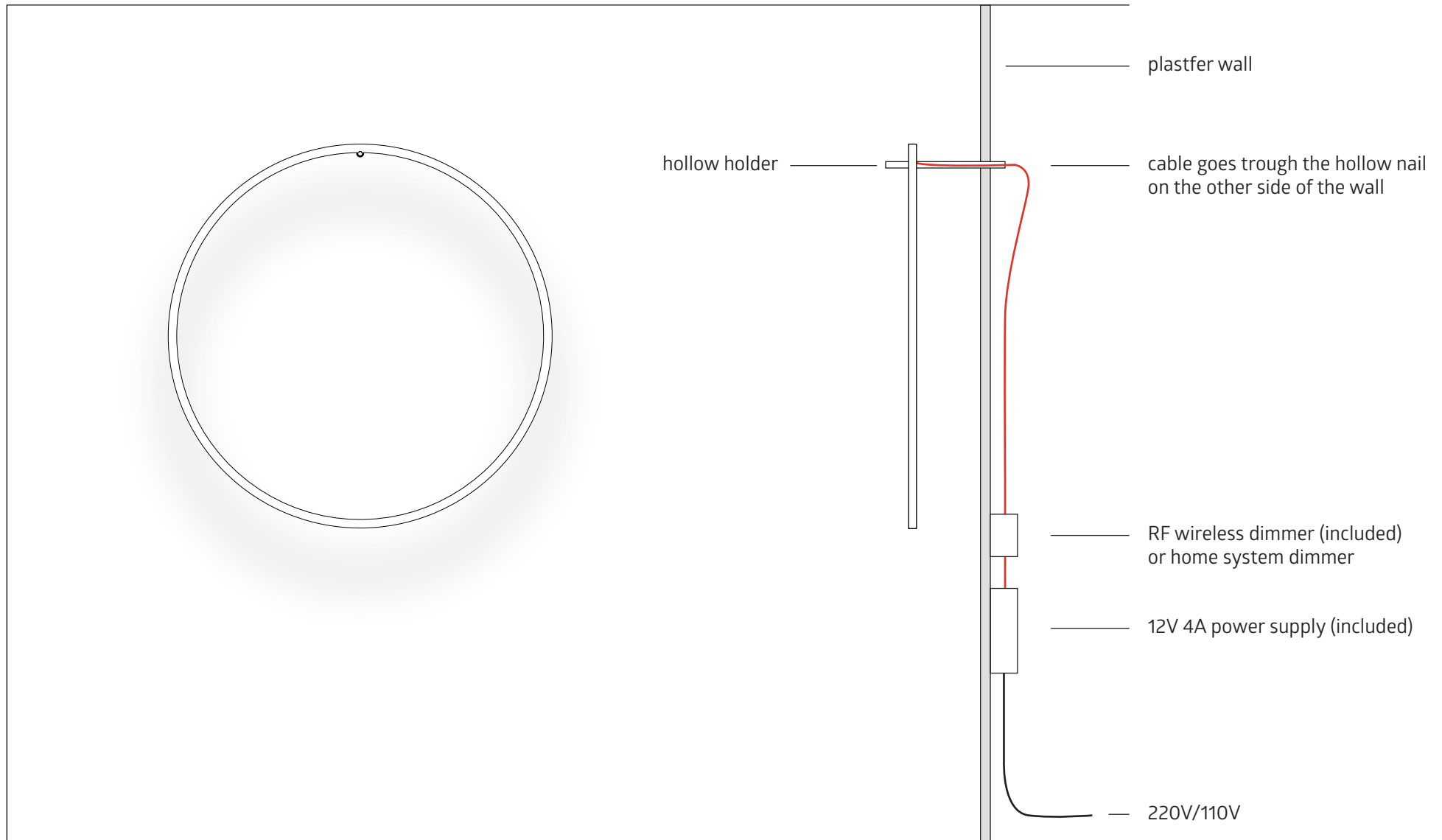
Remote dimmer/controller



Alternative mounting option A - by request and for projects only

Recessed cable, custom installation option

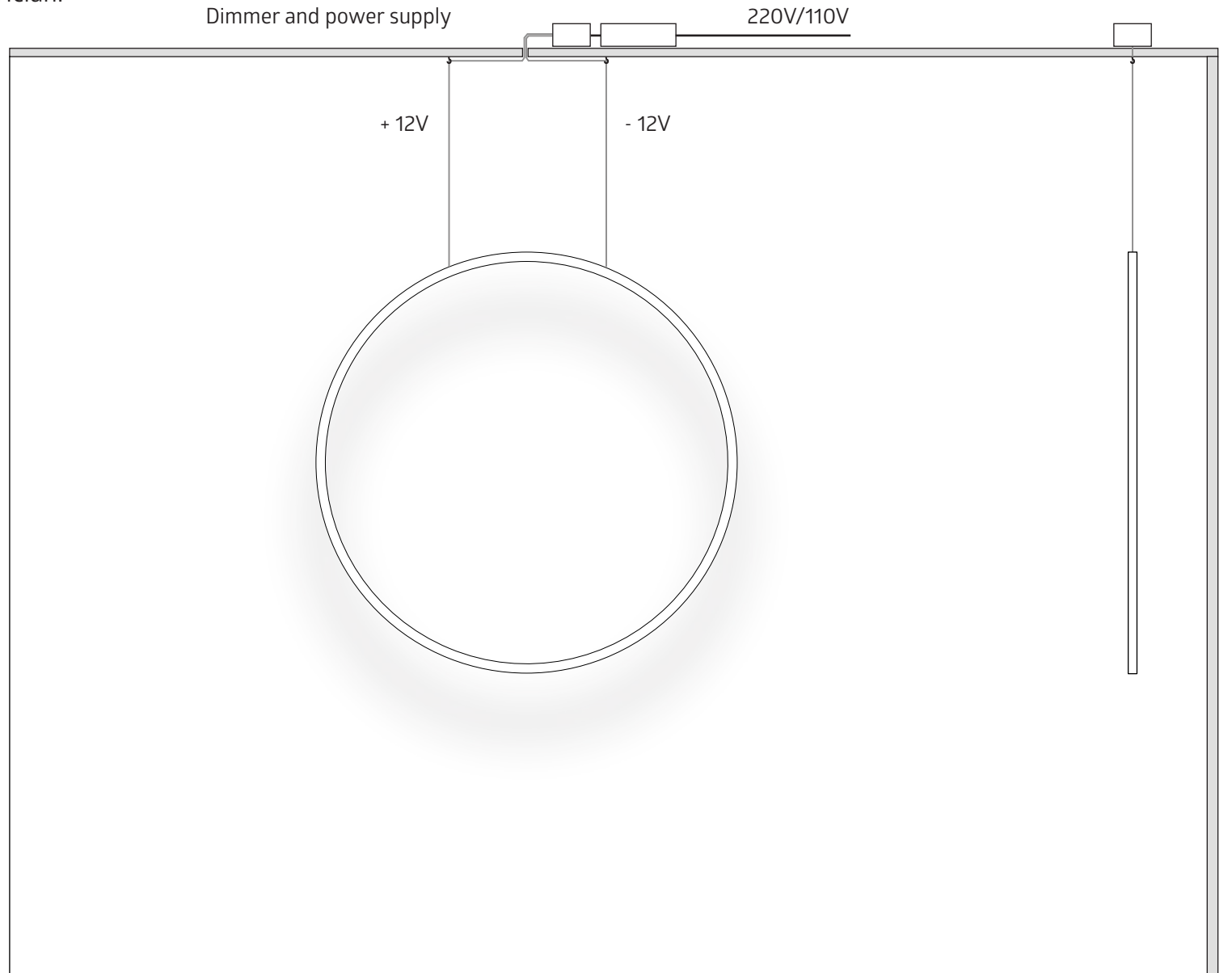
- Needs qualified electrician.
- By request only



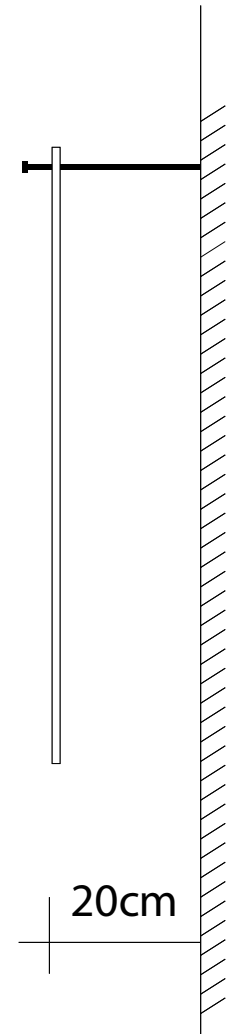
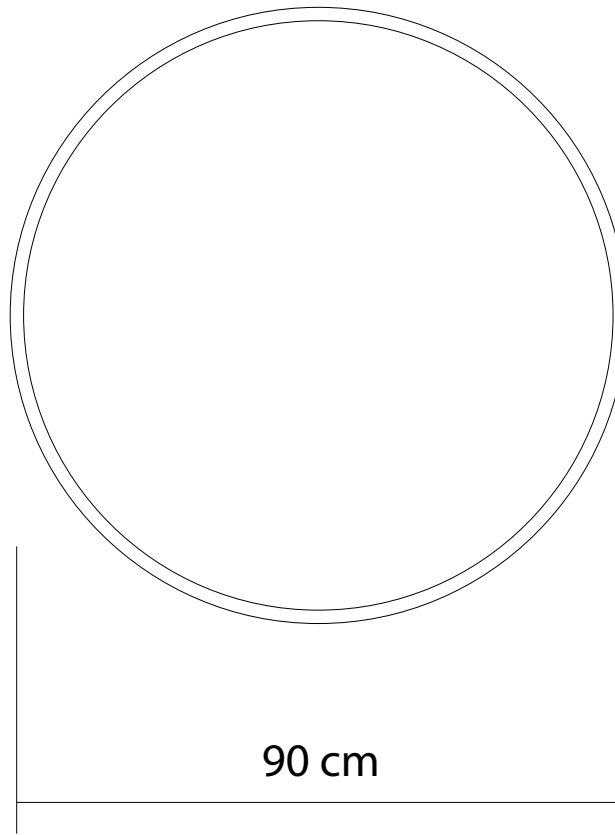
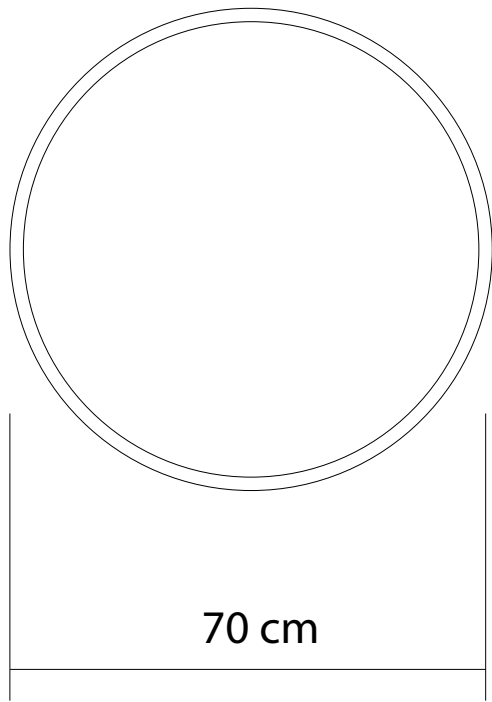
Alternative mounting option B - by request and for projects only

Ceiling mount, custom installation option

- Needs qualified electrician.
- By request only



Sizes



70cm/90cm diameter, 1cm thick

- Install 15-25cm from the wall on included holder
- Cable length: 2,5m

Technical specifications

Wall lamp Eclipse provides warm diffused light that is bouncing from the wall. LED Light is bright enough (2000-3000lm) that can illuminate medium sized room. It hangs on the long nail or brass holder. (both included)

It consists only of a very thin ring of bent beech wood and a bright LED belt of warm light.

- LED strip, 30W/45W
- 1800lm - 3000lm, depends of the size
- Warm White, 2900K, CRI 90+
- Long lasting LED, 50000hours
- Dimmable (dimmer included), compatible with most 12V dimmers on market, wired or wireless
- External Power Supply, standard, 12V 5A IP44, standard 12V plug, interchangeable for different national standards 100-220 EU plug, UK/US/AUS plug by request.
- 3m cable
- Possible to integrate with standard 12V "home automation" systems
- For indoor use only, ip20

* Reduced Child Safety Hazards with 12V LED Lighting, not dangerous for electric shocks, cannot brake - no dangerous parts.

Terms

Warranty

Standard goods are warranted for two(2) years against manufacturing defects (i.e. materials and design)
LED is long lasting and rated 50000h

Normal tear and wear of cover and finish are not covered by this warranty

Defects

Defects in the goods supplied, discrepancies in qualities or incorrect delivery must be notified not later than eight days from receipt of goods. Concealed defects are to be notified in writing immediately after their discovery. Should this condition be disregarded, the customer loses his right of complaint. Returned goods are not accepted without prior written agreement.

* please store the lamp in dry place.

* for indoor use only

* Reduced Child Safety Hazards with 12 V LED Lighting: not dangerous for electric shocks, cannot brake - no dangerous parts.

Warehouse / Studio

Tilen Sepič, Dečmanova 4
1000 Ljubljana
Slovenia, EU

Prinzessinnenstraße 29
10969 Berlin
Germany, EU

contact@tilensepic.com

Return policy

If you receive product you've purchased from eclipse.sepic.cc and are not fully satisfied, you have:

Seven (7) days to contact us about your intent to return the work.
Three (3) days from the day you contacted us to ship out the product.

Please make sure that you have packed the items safely for transport. You are required to pay all fees including custom costs (if any) when returning artwork back to the artist.

Items should be returned new, unused, and with all materials supplied still included in the packaging and shipped with traceable method with the shipment's tracking number.

Returns that are damaged or soiled may not be accepted and may be sent back to the client and/or we reserve the right not to give the full refund.

We are not responsible for undelivered or damaged returns.

Once the product safely reaches our warehouse, we will process your return and the amount owed will be refunded to your original source of payment in the same currency and using the same exchange rate as your original order within 7-10 business days of your merchandise return. Shipping costs will not be refunded for items returned. Please note card refunds may take up to 7 business days for your bank to complete, depending on their processing time. This can vary greatly between card issuers, and unfortunately we are unable to influence this.

Email the shipping details with tracking number to: contact@tilensepic.com

Product is released as an "art piece" by Tilen Sepič, self-employed artists in design field, by ministry of culture in Slovenia.

Handmade by artisans in Ljubljana and Berlin



v04.2016



Registered Design: 002600569-0001 18/12/2014



N) natural wood



B) black, linseed oiled + hand burned



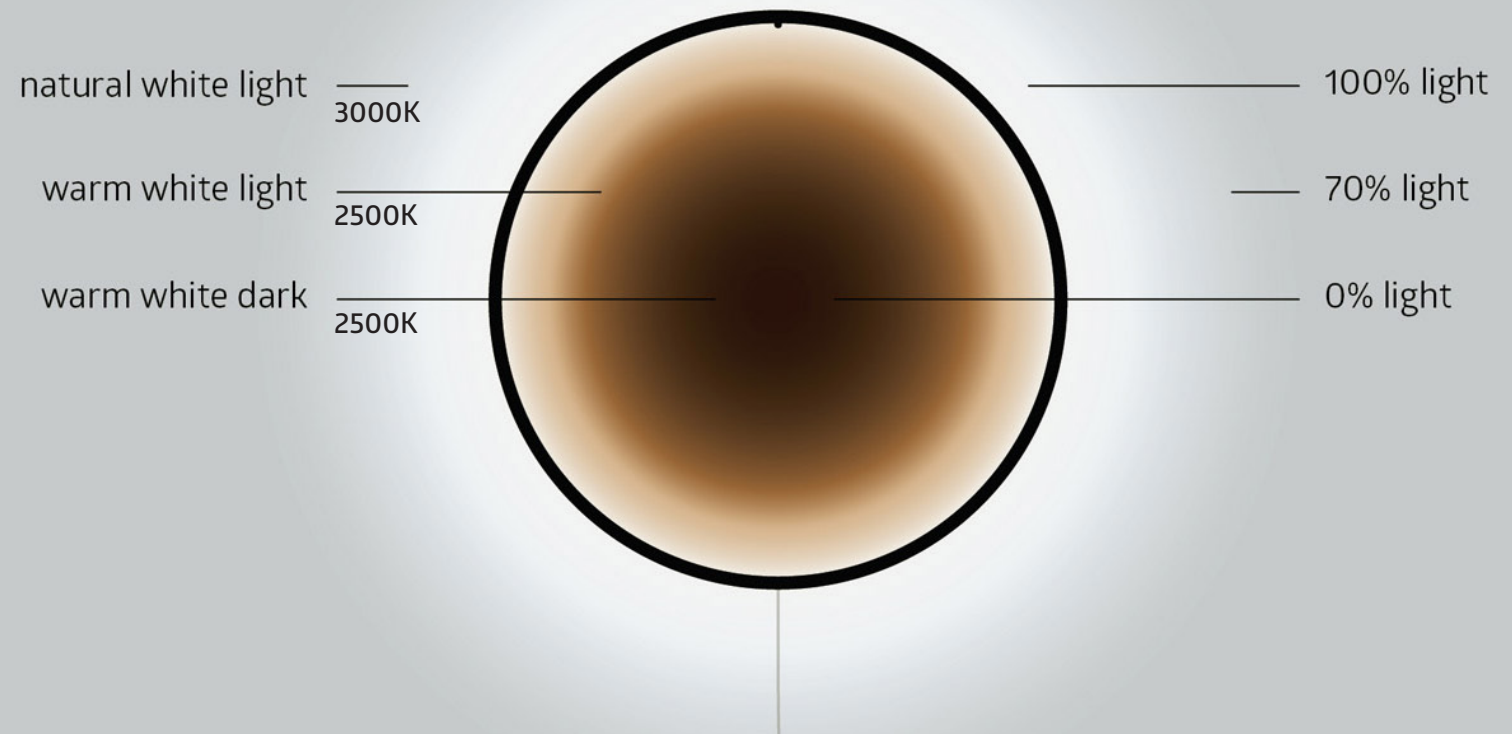
B) white, linseed oil, white pigment



Manual interface

The lamp can be adjusted manually by moving the frame closer to or further away from the wall. The scale of the distance that is created defines the lamp's luminous effect and resulting mood.

Light effect / color temperature



A warm tone is created when light reflects off the wooden frame, which mimics the natural afternoon light and creates a specific spatial atmosphere. Because of its relaxing qualities it is perfect for bedroom or living room.