

ImpactaBite Bolt Extraction System

NEW

The ImpactaBite Bolt Extraction system offers a fast, easy solution to removing broken bolts or seized studs. A vast improvement to using traditional hand operated easy-outs.

The ImpactaBite system uses impact rated left-hand drill bits to pilot drill and loosen problem fastenings before bolt extractors are fitted and used to impact out the stuck bolt or stud, the impact feature helping to break the grip caused by corroded or damaged threads.

M5 - M20 BOLT EXTRACTION SET

Trade Price
£174

Offer Price
£109



JM24-2040EX-SET1

M5 - M26 STAKIT ETOP2 BOLT EXTRACTION SET



JM24-2040EX-SET2

Includes



Trade Price
£299

Offer Price
£189

VersaDrive[®] ImpactaDie Impact Die Threader

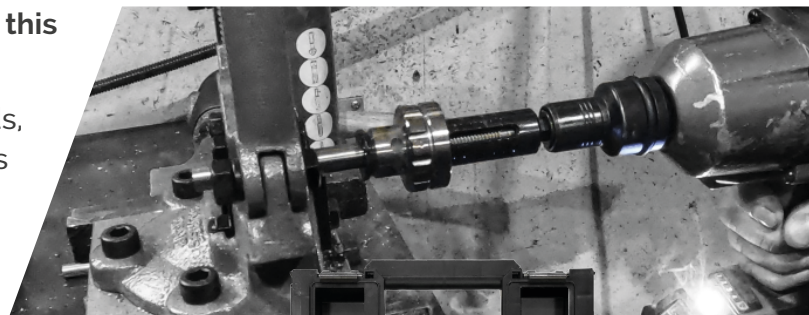
NEW

Create external threads quickly and easily with this unique patent-pending impact die system.

Ideal for both creating/extending new threads, repairing existing damaged/deformed threads or cleaning old threads clogged with surface coatings, rust or other unwanted material that can prevent threads mating and turning properly.

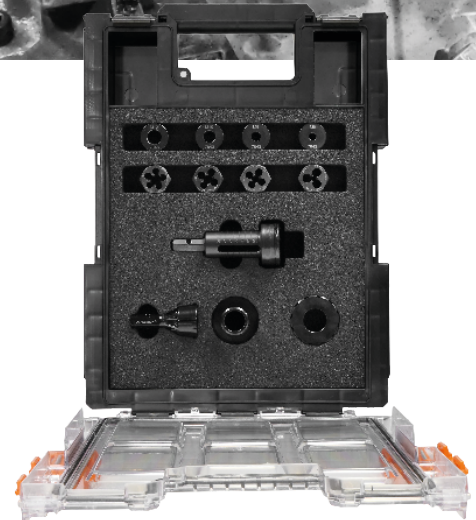
Contents:

- 1 x ImpactaDie holder
- 1 x Guide Collar
- 1 x Flush Collar
- 1 x ImpactaBurr Chamfer Tool
- M6, M8, M10, M12 Guides
- M6, M8, M10, M12 Hex Die Nuts
- 1 x **STAKIT** ETOP2 Half Top Case



Trade Price
£295

Offer Price
£215



JM24-115810-SET

STAKIT V36 Install SiteKit

NEW



The V36 18V Install SiteKit is the ultimate lightweight portable drilling package.

The new Cordless V36 18V magdrill install sitekit offers the ultimate jobsite freedom. Operate away from mains power. Compatible with the Makita LXT battery platform. Broaching capacity to 36mm, drilling to 12mm.

The VersaDrive installation kit gives a bestselling selection of cutting tools for overcoming installation and maintenance challenges. Includes the bestselling sizes of Impact Reamers, ImpactaTaps, TurboTip Impact Drillbits, CarbideMax TCT Holesaws, and 5 modular adapters.

The wheeled sitecart gives additional storage space for further tooling. All items clip together securely for safe and efficient transportation around the work area.

Contents:

- 1 x **STAKIT** Site Installation Kit (supplied in **STAKIT** Mid Case)
- 1 x VersaDrive[®] V36 Cordless Magnet Drill Kit (Supplied in **STAKIT** Base 200 case)
- 1 x **STAKIT** SiteCart



JM24-STC-KIT-V36INS-2B

Trade Price **£2587**
Offer Price **£1849**

HMT V36 (18 Volt) Cordless Magnet Drill

NEW

Increase your jobsite solutions with this unique cordless magdrill, the most compact & lightweight unit in its class. Market-leading 140mm stroke which is ideal for extra-long broach cutters and VersaDrive[®] cutting tools.

The 18V, 9Ah battery pack is compatible with the entire range of Makita LXT powertools.

Permanent magnet provides safe & powerful hold, even on thin materials, eliminating any risk of power failure to the magnet.



FEATURES & BENEFITS

- Available with **STAKIT** sitecase & 2 9.0Ah batteries or Bare machine
- Compatible with Makita LXT batteries
- Up to 49 x 18mm holes per charge (10mm plate)
- Weighs just 9.8kg for easy handling

TECHNICAL SPECIFICATIONS

CUTTER SIZE RANGE	12 - 36mm TCT
MAX CUTTER LENGTH	110mm
TWIST DRILL CAPACITY	1 - 13mm
COUNTERSINKING	10 - 25mm
REAMING	N/A
TAPPING	N/A
LENGTH	325mm
WIDTH (Inc Handles)	184mm
HEIGHT (Min-Max)	275 - 415mm
STROKE	140mm
WEIGHT	9.8 kg
MAGNET (L X W)	157 x 85mm
MAGNETIC ADHESION	650 kgs
MOTOR POWER	1000w
TOTAL POWER	1000w
SPEED RPM (No Load)	530
SPINDLE	3/4" Weldon
ARBOR	Integral 3/4" Weldon
COOLANT SYSTEM	Optional Extra
WARRANTY	1yr
BATTERY CAPACITY	18V 5Ah / 9Ah Li-ion



V36 MAG DRILL KIT

JM24-805036-020

JM24-805036-010

V36 BARE MACHINE

Trade Price
£1556

Offer Price
£1095

Trade Price
£1189

Offer Price
£849

Kit supplied in **STAKIT** Base 200 case, with Rapid-Lock VersaDrive[®] adapter, 2 batteries & battery charger*



STAKIT ETOP2 TurboTip Impact Drill Bit Set

NEW

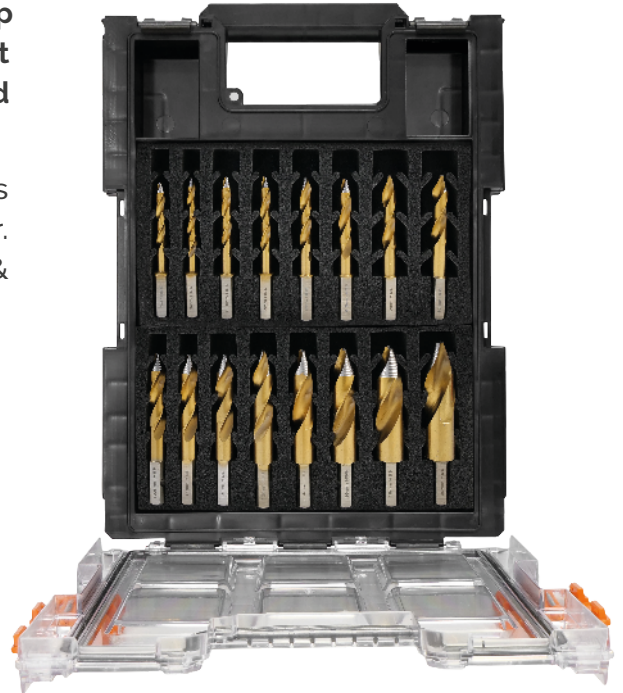
VersaDrive[®] TurboTip Impact drill bits are stepped tip bits that drill at twice the speed of standard bits without the need for pilot drilling while cutting a perfectly round hole.

Turbocharge your drilling performance by using this revolutionary tool with an impact wrench or impact driver. Double hardened and titanium coated for faster drilling & reduced wear.

Contents:

16 x VersaDrive[®] TurboTip Impact Drill Bits
6, 6.8, 7, 8, 8.5, 9, 10, 10.5, 11, 12, 13, 14, 16, 18, 22mm

1 x **STAKIT** ETOP2 Half Top Case



JM24-209015-SET16

Trade Price
£598

Offer Price
£299

VersaDrive[®] Rapid-Lock Adapter InsertFoam Set

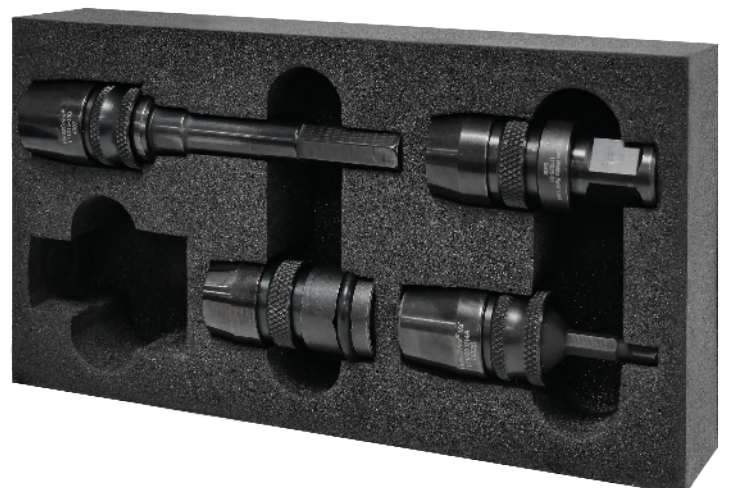
NEW

Convert a wide variety of power tools for use with the VersaDrive[®] system of cutting and drilling tools with the VersaDrive[®] Rapid-Lock adapter set.

Contents:

1 x 1/4" VersaDrive[®] Rapid-Lock Impact Driver Adapter
1 x 1/2" VersaDrive[®] Rapid-Lock Impact Wrench Adapter
1 x VersaDrive[®] Rapid-Lock Magnet Drill Adapter
1 x VersaDrive[®] Rapid-Lock 130mm Extension Arbor

Supplied in a Small InsertFoam
Fits **STAKIT** ETOP2 or ETOP4 top cases
(available separately)



JM24-111005-SET1

Trade Price
£165

Offer Price
£112