



Wifi Digital Microscope

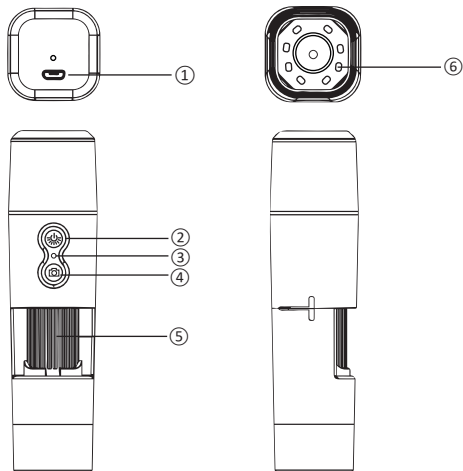
HHD510-W

(for iOS/Android)

User Manual

V 2.0

1. Parts and Functions



Part	Function
1	Micro/USB interface
2	Power/LED light button
3	Indicator light/Reset slot
4	Photo/Video button
5	Focus wheel
6	LED light

Micro/USB interface: Connect USB to charge or connect with computer. (Note: when connecting with computer, it is recommended to use a cable that can transmit data)

Power/LED light button: Long press to turn on/off the microscope , and the indicator light will be steady blue when turned on. In the working condition, briefly press this button to adjust the brightness of LED light.

Indicator light/Reset slot: In the working condition, the indicator light is steady blue. When the battery is low, the blue light flashes until it shuts down automatically. Reset slot, when the device runs abnormally, with a fine needle pock this slot can force shutdown. (Note: After shutdown, long press the **Power** button to restart the machine)

Photo/Video button: In the working condition, press this button briefly to take photos and save automatically. Long press to start recording; When recording, briefly press this button to end recording and save automatically. Image and video files can be viewed in the App album.

Focus wheel: Rotate the wheel to focus the observed object. Please keep the object distance fixed and slowly adjust the wheel until the picture is clear.

LED light: When the ambient light is insufficient, the light can be supplemented.

2. How to Use on Mobile Phone/Tablet

2.1 APP Download

Use mobile phone/tablet browser to scan the QR code, click download and install

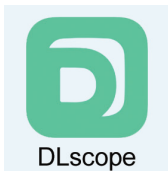


(iOS/Android Downloading QR Code)

① For **iOS** system, search for "**DLscope**" in the **App Store** and download

② Or input website in the browser to obtain the download link:

<https://active.clewm.net/EjAlZQ>

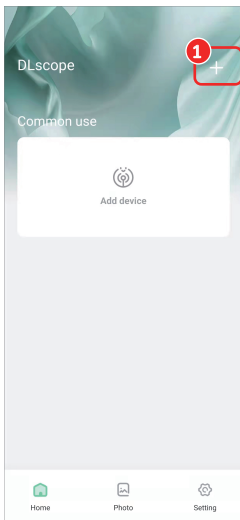


(iOS/Android icon)

2.2 Connect with Mobile Phone/Tablet

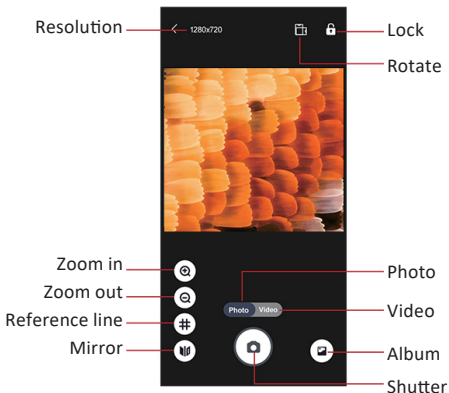
Long press **ON/OFF** button for 2s to turn on the microscope, open **DLscope**, click "+" in the upper right corner to select the device "**W01A**", select the WiFi name corresponding to the product: "**Cam_XXXX**" (no password). After connection, return to the APP and click to enter.

(*If the mobile phone/tablet prompts that "No Internet Connection" after connected to the WiFi of the device, this is normal. Please keep mobile phone/tablet connected to the current WiFi of the device)



2.3 App Interface Instruction

**The picture only for reference because different mobile phone model and version*



Resolution: click to switch photo/video resolution.

Zoom in: click to enlarge the screen. (used when the screen is too small)

Zoom out: click to zoom out the screen. (used when the screen is too big,default is minimum each time you open it)

Mirror: click to switch to mirror mode.

Lock: click to lock the screen.

Rotate: click to rotate the screen.

Photo: select Photo mode.

Video: select Video mode.

Album: click to view photos or videos that have been taken.

Shutter: camera shutter.

3. How to Connect with PC via USB

(*Notice: When connecting with PC, please connect it via USB cable in the shutdown state, then turn on the microscope*)

① For Windows 8, Windows 10 or higher system, search "**hiView**" in the **Microsoft Store** to download it.

② For Windows 7 and Windows XP, download the software from the website: **http://soft.hvscam.com**

③ For Mac OS X 10.5 or higher system, search "**hiView**" in the **APP Store** to download it.

