

Dear Customer,

Be sure that we stand with all our energy and passion behind our products and that your decision for teledart® was the right one. We look forward to assisting you with words and deeds during a long period of time and to offering you the service you can await for a quality product. Our conviction and our confidence in our products allow us to guarantee you the function of your applicator for the next 20 years.

Please study the following operator's manual carefully and follow all our directions and instructions. Then you will be sure to do your remote injections safely and without problems.

We wish you always very successful operations.

The Team of teledart®

 www.teledart.com

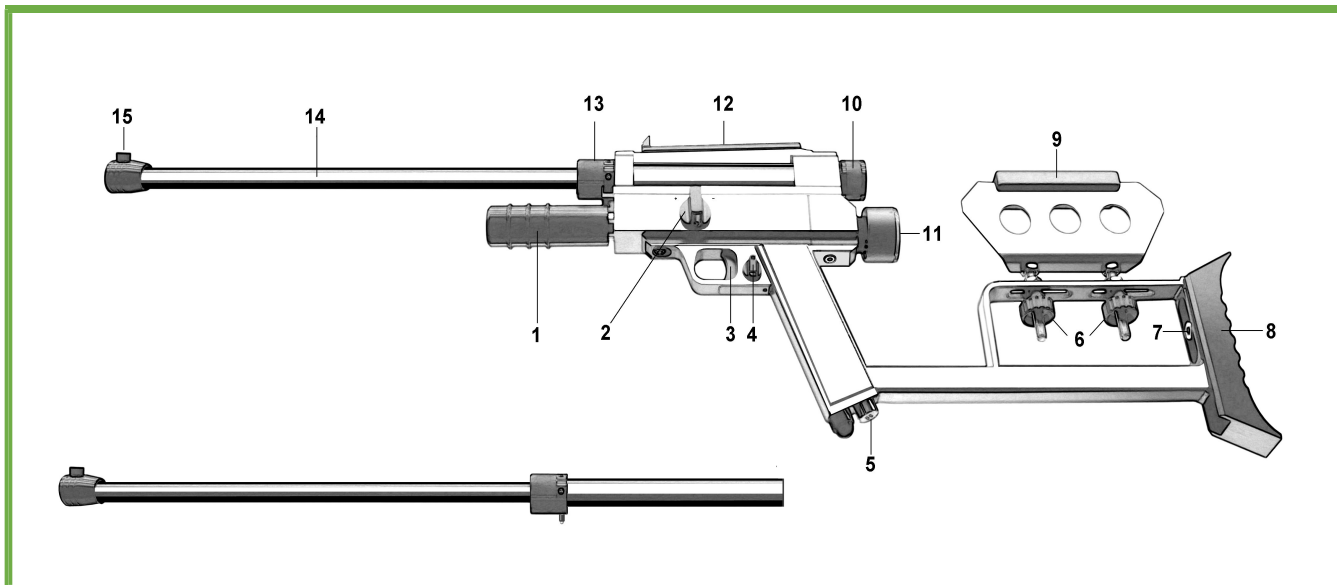
Pressure table for the teledart® applicator **RD706**



This applicator has been tested in a closed area.

Please note that this is only a guideline, which may differ from your own shooting results as wind and weather conditions as well as the shooting skills of the user can change these results considerably.

barrel caliber / mm	Syringe dart	Distance	Pressure	Iron sight	OP1 Telescopic sight	OP2 Red dot
		15m	bar			
		15m	bar			
		15m	bar			
		15m	bar			
		15m	bar			



Equipment feature

- 1 Cartridge holder for CO2-16 g.
- 2 Pressure supply
- 3 Trigger
- 4 Trigger safety knob
- 5 Safety valve
- 6 Adjusting nuts for cheek piece
- 7 Screw for shoulder piece
- 8 Shoulder piece
- 9 Cheek piece
- 10 Threaded loading cap
- 11 Pressure gauge
- 12 Mounting rail with standard sight
- 13 Barrel fixing
- 14 Barrel with quick coupling
- 15 Front sight

Technical data

Weight	3 kg with aluminum barrel
Total length with barrel	113 cm
Material	aluminum/ stainless steel/ brass
Barrels/Syringe volumes	interchangeable barrel system with quick connection coupling Calibre 11 mm (0,5 - 10 ccs/ml), Calibre 13 mm (1 - 20 ccs/ml)
Mounting rail for optic sights	yes
Effective range	(with standard barrel calibre 11 mm, 3 ml syringe) 1-70 meter (depending on dart sizes)
Standard sight	back sight/front sight
Pressure build-up	CO2 cartridge (16 bar) or air pump (11 bar)
Pressure control	continuous (0 - 16 bar)
Safety striker	yes (rotary knob safeguard)
Safety valve	yes
Pressure relief valve	yes
Kinetic energy	> 7,5 joules
Target zone	130 meter

Scope of delivery

Please check upon receipt of our delivery, if your consignment is:

- ✓ complete
- ✓ corresponds to the ordered equipment
- ✓ undamaged

Please inform us immediately, latest 48 hours after receipt of goods if you have any damage by sending us a letter/ fax or e-mail. Our service team will immediately handle your claim.

Safety advises

Always point the applicator in a safe direction. Never point at other people even if your applicator is not loaded.

Always keep your applicator with the barrel down to the ground.

Keep your applicator in safe until you intend to shoot.

Be aware that the applicator has a danger zone of almost 150 meters. Be sure that no other persons are inside this area and that there are no public alleys, streets or squares.

Collect all used darts and part of darts after use, even if they are empty or damaged.

Avoid that children and other unauthorized individuals come into possession of darts or part of darts.

Clean used darts and part of darts before disposing of them.

Never use drugs or alcohol while handling this product.

Never use our applicators with pure oxygen (e.g. oxygen cartridges)!

Of course, all regulations applicable in your country with regard of the handling of weapons as well as animal protection and welfare are valid. Follow strictly the all safety advises of the drug producer.

Noticeable damages

For noticeable damages, which are caused by improper handling of the applicator by other extraneous causes the use of the applicator must be stopped immediately. In such case first the barrel and second the dart must be removed and the applicator completely depressurized. This happens by careful removal of the CO₂- cartridge or air pump connector first and is followed by the complete depressurizing of the pressure chamber. For further instructions please contact your dealer or us directly.

Handling and use

Before first use

Make yourself familiar with all operation elements of your applicator before you attempt to test the applicator and go into practice.

Teledart rifles enable various fitting possibilities, so that you can adjust the rifle position to your needs.

Before shipment, we test all teledart ® applicators at a distance of 15 m (16.41 yds), using a teledart ® training dart T3-11 3 cc or T5-13 5 cc.

Training darts are available in many sizes. If you need a size we have not got on our pricelist, please contact us. We can produce it to your requirements. Note all pressure values in the pressure table which is part of your manual.

Assembling

Slide in the barrel as far as it goes. Take care that the sight is on your right hand side. As soon as the barrel has reached its position, turn the barrel a quarter (90°) to the left until the guiding pin situated at the barrel retainer ring locks.

Individual Settings

Adjust the shoulder - and the cheek piece to a comfortable position for you. If you use an optic sight, also adjust this to your eyes.

Inserting the CO2 cartridge

Unscrew the cartridge holder and insert a CO2-cartridge. Tighten up the cartridge holder until the cartridge is tapped. Only replace opened cartridges if they are completely empty. Further, all safety advices marked on the packing of the CO2-cartridges are valid. TeleDart does not take any liability for damages and injuries caused by improper handling of CO2-cartridges.

Safety knob

Check if the safety device of the trigger is on "safe". The turning knob must be turned to the upper position (Pos. "S").

Pressurizing

The pressure regulation knob must be turned by one third from 0- Position.

Observe the manometer and release the knob when you have got the desired pressure. The pressure regulation knob returns automatically to the 0-position.

If you have got too much pressure, you can correct this easily. Just turn the pressure regulation knob in direction of the "-" position until you have got the desired pressure.

The pressure regulation knob does not return automatically to the 0-position if you release pressure. It has to be turned back by hand.

The safety valve is engineered to protect your applicator from damages caused by dangerous overpressure. The exceeding of the particular maximum pressure into the red marked area of the manometer can cause damages to your applicator. Damages to material, which are proven to be caused by deliberate exceeding of maximum pressure ceases our guarantee. Manipulation of safety valve also immediately ceases our guarantee and in this case we do not take any liability for damages to persons, animals or material.

Loading of dart syringe

Unscrew the loading screw and insert the syringe into the barrel from behind.

Push the dart syringe inside the barrel using the positioning pin situated at the loading screw. Make sure the loading screw is tightened properly.

Shooting

The applicator is now ready for shooting. The safety lock can now be deactivated. Turn the safety knob into position "F".

Now aim at your target. The trigger has got a trigger pressure point which allows precise shooting. Please ensure to pull the trigger fully to make sure that the dart reaches necessary speed. After shooting, turn the safety knob immediately into position "S".

Care

You can clean the applicator with a moist cloth if the applicator gets dirty.

Never use chemical cleaners.

Check if there is dirt inside the barrel. If necessary brush it dry with the cleaning tool.

Grease the barrel on the outside where it gets pushed into pistol so it can slide easily.

Steel barrel has to be oiled inside against rusting with Ballistol oil included in scope of delivery.

Maintenance

Special maintenance is not necessary.

Transport and storage

For storage and transportation all legal requirements must be complied with.

Always store the applicator at a dry place. CO2-cartridges can remain in the applicator.

If you store the applicator, the pressure regulation knob must be in the "-"-position to avoid an unintended pressure built-up.

Please check the function of your applicator if you have not used it for a longer time.

Optional equipment

Here you find a summary of optional equipment for your applicator:

OP1 *Telescopic sight*

OP2 *Red dot sight*

RF *Range finder*

AR/AC *Adapter for 45 g or 12 g cartridges*

FP *Air pump (Stand up pump to max. 11 bar)*

TP *Air pump (Foot pump to max. 7 bar)*

HP *Hand pump*

CASE *Rifle case*

Hard case 125 x 38 x 12 cm

Guarantee

Teledart ® Guarantee and Warranty Conditions (E)

Our applicators pass several quality controls. To strengthen your trust into our product, in addition to your legal rights, teledart® guarantees:

1. For this product we give you a function guarantee of 20 years. The guarantee begins on the day of purchase of the final user.
2. Should the product show defects within the guarantee period, it will be repaired or replaced by teledart®. Replaced parts will be in our possession. Further demands are not accepted.
3. Under the following rules we repair or replace damages or defaults of the product, which are proven to be caused by a material or manufacturing default.
4. Should you make a claim, please contact your teledart® specialist dealer or us directly. You find the address in the user manual or on our web site www.teledart.com. The guarantee ends immediately if repairs or any manipulation of the product are made by none authorized persons or if you use spares, change parts or add accessories which are not of teledart's original production and which then cause a damage.
5. Products for which you make a claim have to be send or given over to the seller or to a teledart® specialist dealer. You must insure the dispatch or bear the costs for any loss or damage incurred. Cost of transport will not be paid for by teledart.
6. If you make a guarantee claim, please add the fully completed guarantee documents as well as a proof of the original purchase within the guarantee period for your specialist dealer. The guarantee claim must clearly illustrate the complaint, presuming that it is based on a specific defect demonstrated by facts and when the defect occurred. Further, the complete serial number of the applicator must be readable.
7. A guarantee claim will not be accepted for damages, which are irrelevant for the value or the use of the applicator, which are caused by irregular environmental conditions, unprofessional use or use which is not in accordance with regulations. If the points in the user and maintenance manual are not observed a guarantee claim will not be accepted. Wearing parts are exempt from guarantee.
8. Should the applicator be used in another country than the country it had been developed and produced in, it may be that some technical changes are necessary to adopt the applicator to the technical resp. security norms of this country. These changes are not caused by material or manufacturing default and are not covered by this guarantee. Costs for such changes or damages this may cause are not reimbursed.
9. The guarantee is a product guarantee and can be claimed during the guarantee period by any person who has purchased the product in a legal way. The legal right of the buyer following the national legally applicable rights, resp. the rights of the buyer as a part of the purchase contract as well as other rights are not affected by this guarantee. As far as the national law does not require other, the claims are restricted to the points named in this guarantee. Teledart and all specialist dealers are not liable for indirect resp. subsequently loss or injuries on persons or animals or for the loss of dart syringes, needles or drugs.
10. Guarantee claims do not extend the guarantee period nor do they lead to a new guarantee period. The guarantee period for all built-in spare parts finishes at the moment when the guarantee for the complete applicator finishes. In case of a replacement teledart® can determine a new time of guarantee which can be restricted under consideration of the time of use of the replaced applicator.
11. We do not assume liability for further or other claims, especially for those caused by damages which are not created by the applicator– if such a claim is not mandatory law.
12. These guarantee rules are valid after 03.05.2023.

Please consider as well our additional after-sale service.

Even after expiration of the guarantee TeleDart® or our specialist dealers are always at your disposal. If you decide for TeleDart®, you will always get a good service.

teledart GmbH & Co. KG,

Obere Heide 8

67368 Westheim / Germany

Tel.: +49 (0)6344 939765

Whatsapp: +49 (0)1575 3254319

E-Mail: info@teledart.com

Internet: www.teledart.com