

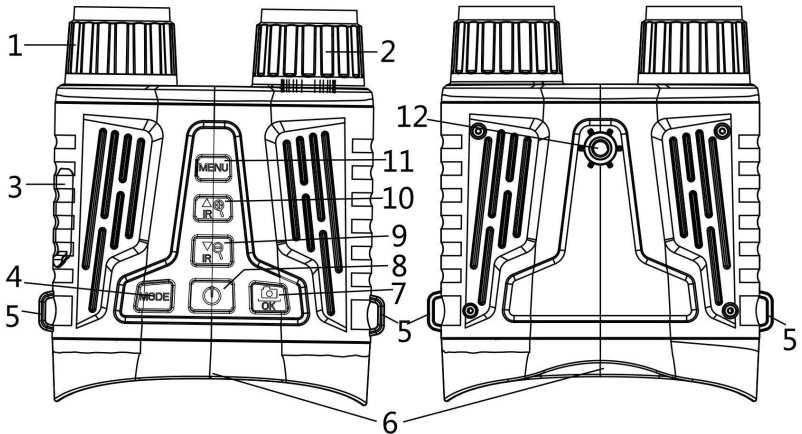
User Manual



Contents

PRODUCT OVERVIEW	2
SPECIFICATION	3
ABOUT CHARGE	4
INSERTING MEMORY CARD	4
BASIC OPERATION	5
TURN ON AND TURN OFF	5
NEW AND SPECIAL COLOR EFFECTS:	6
ADJUST THE DISPLAY	6
CHANGING THE MODES	7
TAKING PICTURES	7
RECORDING VIDEO	9
DEVICE POWER OFF	11
POOR IMAGE	11
IR – LED (NIGHT VISION FUNCTION)	12
SETTINGS IN PHOTO AND VIDEO MODE	13
PLAYBACK	15
DOWNLOAD FILES TO PC	16
USING A CARD READER	16
CONNECTING THE DEVICE TO A PC THROUGH THE USB CABLE	17
NOTES ON CLEANING	18

Product Overview



1. Lens focus wheel	2. IR LEDs
3. USB port/charging indicator/reset port/ memory card slot cover	4. Mode Button
5. Strap Hole	6. Eyepiece/Display
7. Shot/OK button	8. Power Button
9. IR Down/Zoom out/Down Button	10. IR Up/Zoom in/Up Button
11. Menu Button	12. Tripod fixing screw

Specification

Photo Resolution: 360P enhanced night vision、
36M、12M、8M、5M、3M、2M、1M

Video Resolution: 360P enhanced night vision、HD、FHD、
4K

Lens:F1.2 large aperture, F =25mm, automatic
infrared filter

Lens angle: FOV=10°, diameter 24mm

Display: 3.2" 480*854 HD TFT, 7 levels of brightness
adjustment

Memory card: up to 32GB

USB port: TYPE-C

Auto Power Off: Off/1min/3min/5min/10min

Infrared light: 3W, 850nm strong infrared spotlight, 7
levels of infrared adjustment

Viewing distance in complete darkness: about
350-400 meters

Low-light sight distance: 3 meters to infinity

Digital zoom: 8x digital zoom

Color effects: color, black and white, luminous green,
infrared light

Power supply: 4000mAh lithium battery

Date Stamp: Supports setting date and time. Date and time stamp on photo and video files

Operation buttons: 6 buttons

Operating temperature: -20 ° C to +50 ° C Storage temperature -30 ° C to +60 ° C

Size and weight: 145*120*55mm / 380 g

About Charge

The device has a built-in rechargeable battery, please fully charge it before first use.

Please use a universal USB power adapter* (DC 5V/2A) (*not included) to charge this machine. When charging, the charging indicator on the left side of the TYPE-C USB port will turn red; when fully charged, the charging indicator will turn off. (If the device is completely out of power, it can be fully charged in about 4 hours)

Inserting Memory Card

◆ Please prepare a Class 10 Micro card (up to 32GB) in advance.

- ◆ Open the card slot cover, you will see the card slot.
- ◆ Insert the Micro SD card into the slot. Make sure the direction is right. Never insert the card forcibly.
- ◆ Format the Micro SD card, this can improve the compatibility of Micro SD card.
- ◆ To remove the card from the memory card slot of the device, press the edge of the memory card in gently, the card will pop out. Then remove the card.

Notice: If the Micro SD card is not inserted or the card is not inserted correctly, after power on it will prompt “NO CARD” and the icon of the card with X is displayed in the lower right corner. The number of pictures that can be taken or the recording time at the top right will be displayed as 0. When pressing the shutter button, the prompt "No card inserted" will appear again.

Basic operation

➤ Turn On And Turn Off

Long press the POWER button for 3 seconds to turn on the device. Long press the POWER button for 3 seconds again

to turn off the device.

➤ **Night Vision Enhanced Mode**

The enhanced night vision mode is twice as bright as the normal night vision mode.

When the photo mode or video mode, short press the POWER button to quickly switch the resolution; You can also select "360P Enhanced Night Vision" in the resolution option of the menu to set.

Notice: The resolution of night vision enhancement mode is VGA, the image noise will be slightly larger and the digital zoom can not be used.

➤ **New and Special Color Effects:**

Luminous Green Color Effect & Film Color Effect.

These 2 color effects are available in both normal mode and infrared night vision mode.

Steps:

Long press "Menu" ->Luminous Green Color Effect,

Long press "Menu" ->Infrared light Color Effect,




Long press "Menu" ->Get back to the normal color mode.

➤ **Adjust the display**

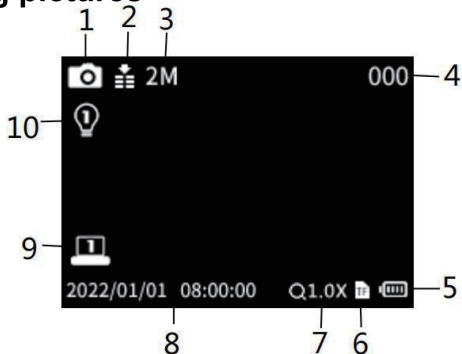
After you turn on the device, please press the MENU button to enter the menu. When you viewing the eyepiece/ display screen if the MENU font is not clear enough, please adjust the eyepiece diopter adjustment wheel until the MENU font looks clear, press the MENU button again to exit the MENU. Then adjust the focus wheel to focus according to the actual distance of the viewed scene until the screen is the clearest. If the light is insufficient or using at night, please press the IR Up/Zoom in/Up Button to turn on the infrared light and please select the IR gear according to the light at that time. The darker the light, the higher the gear adjustment. Long press the IR Up/Zoom in/Up Button to zoom.

➤ **Changing The Modes**

The night version has 3 different modes : photo mode, video mode and playback mode. Press the Mode button can change mode.

	Photo Mode	For taking still photos.
	Video Mode	For recording video.
	Playback Mode	For playing the recorded files.

➤ Taking pictures



1.	Camera mode	2.	Night vision sensitivity
3.	Photo resolution	4.	Number of pictures that can be taken
5.	Battery status	6.	Micro SD card prompt
7.	Digital zoom indication	8.	Shooting time stamp
9.	Display brightness	10.	Infrared light gear

1. Turn on the device, the default is Video mode. Please press the Mode button to switch to Camera mode.

2. Zooming:

Keep pressing the ⊕ or ⊖ button to zoom in or zoom out the image. the value of magnification level appears on the LCD screen.

3. Take a still photo.

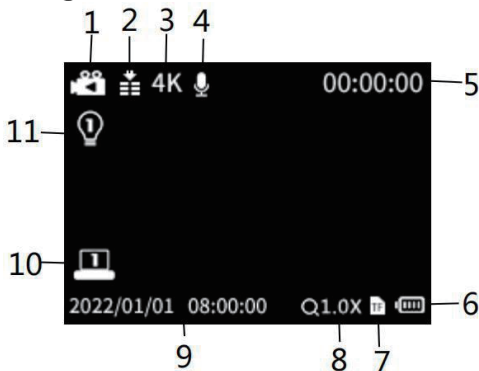
- View your subject via the LCD screen.

-Adjust the focus by turning the focus wheel.

For night or insufficient light use,turn on the IR by pressing the IR Up/Zoom in/Up Button.Increase the brightness by pressing the button repeatedly.It has 7 levels of brightness(0) 1) 2) 3) 4) 5) 6) 7) 0...)The brightness can be adjusted according to your needs.The darker the light, the higher the gear adjustment.

- Press the Shot/OK button to take a photo.

➤ Recording Video



1.	Video mode	2.	Night vision sensitivity
3.	Video resolution	4.	Recording switch indication
5.	Available video recording time	6.	Battery status
7.	Micro SD card prompt	8.	Digital zoom indication
9.	Shooting time stamp	10.	Display brightness
11.	Infrared light gear		

1. Turn on the device,the default is Video mode. If not, press the Mode button to switch to Video mode.

2. Zooming:

Keep pressing the ⊕ or ⊖ button to zoom in or zoom out the image. The value of magnification level appears on the LCD screen.

3. Start to record video.

- View your subject via the LCD screen.

-Adjust the focus by turning the focus wheel

For night or insufficient light use,turn on the IR by pressing the IR button.Increase the brightness by pressing the button repeatedly.It has 7 levels of brightness(0) 1) 2) 3) 4) 5) 6) 7) 0...)The brightness can be adjusted according to your needs,darker and need adjusted more brightness.

- Press the Shot button to start to record. The record duration will be shown on the LCD screen.

4. Finish recording.

- Press the Shot button again to stop recording.

- The device will stop recording automatically once capacity of the memory card is full.

Notice:

➤ Device Power Off

1. If the device is fully charged and cannot be turned on or the screen cannot move during use and cannot be turned off, please insert a small hard strip such as toothpick or wire into the RST hole, when you feel the resistance, press it and then turn it on .

2. Please use an universal USB power adapter* (DC 5V/2A) (*not included) to charge this device. After the TYPE-C USB is connected to the device, when the red light of the charging indicator of the device is on, long press the power button to turn on the device , unplug the TYPE-C USB to turn off the device , which means that the built-in

battery has no power and it needs to be fully charged.

➤ **Poor Image**

- ◆ If at day, make sure the IR is off (if IR is on, screen is black and white or the screen is colored)
- ◆ If at night, make sure you have turned on the IR, press IR up (if IR is on, screen is black and white). Adjust the most appropriate brightness according to your need.
- ◆ Adjust the focus by slowly turning the Focus wheel, make sure it is focused.

IR – LED (Night vision function)

1. Regarding manual focusing: users can manually focus the focus wheel according to the actual observation distance to debug the best focus until the display is clear.

2. In photo/video mode, if you have to view the darkness environment, please short press IR UP button to activate the IR LED, the image will change to black and white. The IR LED have seven levels, short press IR UP button to up the

level, short press IR DOWN button to down the level.

(If the battery voltage is not enough, the IR LED level will down automatically. IR level can up to 7 levels when the battery power is full. If only left half power, the level just can up to 5. If only left 25% power, the level just can up to 3. If the battery power is lower than 25%, IR LED cannot be activated.)

➤ **Settings in Photo and Video Mode**

Press Menu button in photo or video mode, can change the settings.

Menu	Function
Resolution	Set the video resolution. Options: 360P enhanced night vision/4K/ FHD/HD.
Photo Resolution	Set the photo resolution. Options:360P enhanced night vision、 36M、 12M、 8M、 5M、 3M、 2M、 1M.
Night vision sensitivity	Choose the night vision sensitivity. Options:[Low]/[Middle]/[High].
Screen Brightness	Adjust the screen brightness as required. Options:[Level1]/[Level 2] /[Level 3] /[Level

	4)/[Level 5]/[Level 6] /[Level 7].
Video Frame	You can set different frame rates according to different scenes (the lower the frame rate, the higher the night vision brightness, but the more sluggish the video picture when moving) Options: Auto /5FPS/ 10FPS/ 15FPS/ 20FPS/ 25FPS /30FPS
Audio	ON / Off.
Date Tag	ON / Off.
Date Setting	Set the date and time of device.Press the up or down button to adjust the date or time, press the OK button to move the cursor between settings , select "OK" and press the OK button to complete all Settings.
Auto Power-Off	Set the time to shut down the device for power saving if the device is idle. Options:[OFF]/[1min]/[3min]/[5min]/[10min].
Language Setting	Set OSD (on-screen) language. Options:[English] /[简体中文] /[繁体中文]/ [日本語] /[한국어] /[Русский] /[Français]/ [Deutsch] /[čeština] /[Portugués] /[Polski]/[Nederlands]/ [Türkiye]

Flicker	Set the light source frequency to match frequency of electricity supply in local region to prevent interference. Options:[50Hz]/[60Hz].
Format	Format your Micro SD card. Format Micro SD will delete all files including the protected files. Please copy the important files before confirm. Options:[OK]/[Cancel].
Reset System	Restore the setup to factory default settings. Options:[OK]/[Cancel].
Version	User can see the firmware version information.

➤ **Playback**

1. Turn on the device, press the Mode button to switch to playback mode.

2. Press Up/Down button to view photos and video files.

3. Playback the video

- Press the Shot button to start playing the video files.
- Press the Shot button again to have a pause.
- Press Menu button to stop the current video playing.

Press Menu button in playback mode, the screen will display the playback menu. Press Up/Down button to scan lock or delete. And press Shot button to select one to enter the sub-menu.

Playback menu list :

Menu	Function
Delete	Delete the current one file in memory card. Options:[Yes]/[No].
Delete All	Delete all files in memory card. Options:[Yes]/[No].
Lock This	Lock the current file in memory card. Options:[Yes]/[No].
Unlock This	Unlock the current file in memory card. Options:[Yes]/[No].
Unlock All	Unlock the all files in memory card. Options:[Yes]/[No].

Download files to PC

There are two ways to download files from the device to a computer:

- By inserting the memory card into a card reader.
- By connecting the device to a computer using the supplied TYPE-C USB cable.

Using a Card Reader

1. Eject the memory card from the device and insert it into a card reader. Then connect the card reader to a computer.

2. Open [My Computer] or [Windows Explorer] and double-click the removable disk icon that represents the memory card.
3. Copy images from the card into a directory of your choice on the computer's hard disk.

Connecting the Device to a PC through the USB Cable

1. Turn on the night vision. Connect it to a computer through the supplied TYPE-C USB cable.
2. Select the "Memory" on the screen and press the OK button to enter the removable disk mode.
3. Open [My Computer] or [Windows Explorer].
A "Removable Disk" appears in the drive list. Double-click the "Removable Disk" icon to view its contents. Files stored on the camera are located in the folder named "DCIM".
4. Copy the photos or files to your computer.

NOTES on Cleaning

Before cleaning the device, disconnect it from the power supply! Only use a dry cloth to clean the exterior of the device. To avoid damaging the electronics, do not use any cleaning fluid. Clean the eyepieces and/or lenses only with a soft, lint-free cloth, (e.g.microfibre cloth). To avoid scratching the lenses, use only gentle pressure with the cleaning cloth. Protect the device from dust and moisture. Store it in a bag or box.