

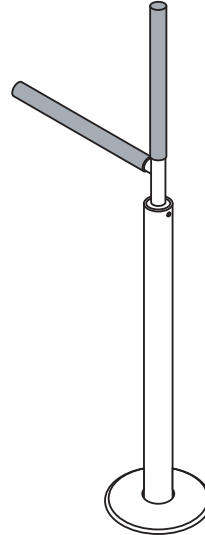
Advantage Rail™

Pivoting and Locking Support Rail

Technical Data Sheet

Product Specification

The floor mounted support rail shall have a horizontal rail that can pivot and lock in eight positions each 45° apart. The pivot feature on the product shall be unlocked by lifting the horizontal rail and relocked by releasing the horizontal rail. The horizontal rail shall be constructed of 1.25"/3.2cm tubing and extend 17"/43cm horizontally from the vertical pole. The horizontal rail shall be height adjustable between 30-38"/76-96cm. The product shall have an anti-microbial white gloss powder coat finish. The product shall have a weight capacity of 300 lbs/136 kg if using the standard model or 450 lbs/205 kg for the bariatric model. The support rail shall be HealthCraft Products model AR-____ (see table below for appropriate product code).



Key Features

- Lift to Unlock/Release to Lock
- Locks ever 45°
- Anti-Microbial Powder Coat Finish
- Height Adjustable

Codes and Standards

- ADA Compliant Rail Diameter
- ADA Compliant Structural Strength (ADAAG 4.26.3)

Specified Model

Model	Weight Capacity	Material
AR-T	300 lbs / 136 kg	Steel
AR-T-HD	450 lbs / 205 kg	

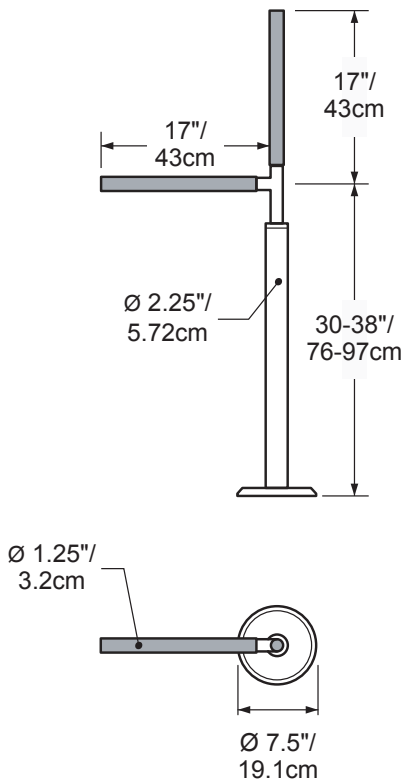
Advantage Rail™

Pivoting and Locking Support Rail

HEALTHCRAFT
Embrace life.

Technical Data Sheet

Product Dimensions



Shipping Dimensions

Part	Height (H)	Width (W)	Depth (D)	Weight
AR-T-HD	8" / 20.3cm	19" / 48.26 cm	34" / 86.36 cm	23 lbs / 10.53 kg
AR-T				

