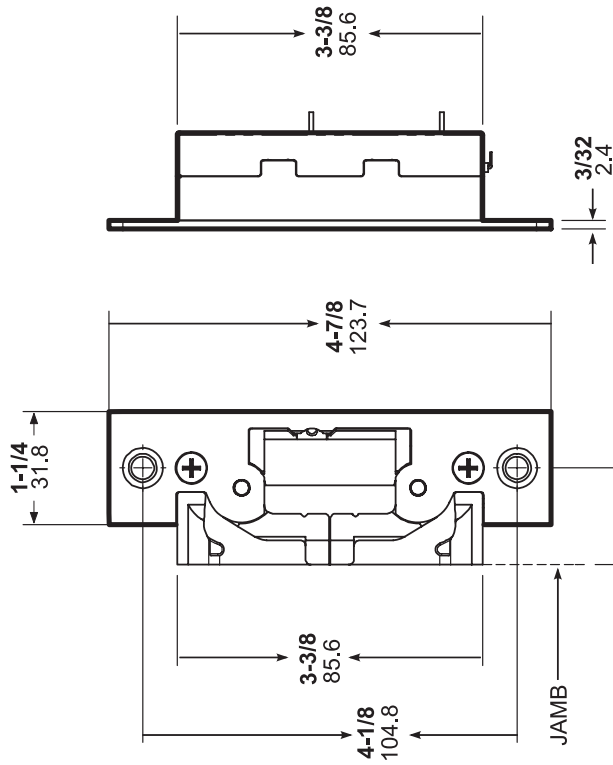
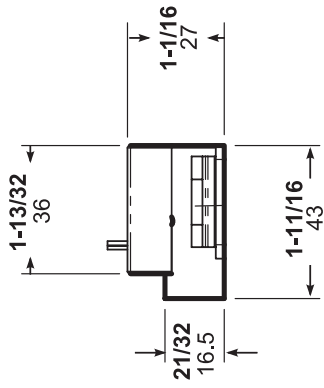


DIMENSIONS

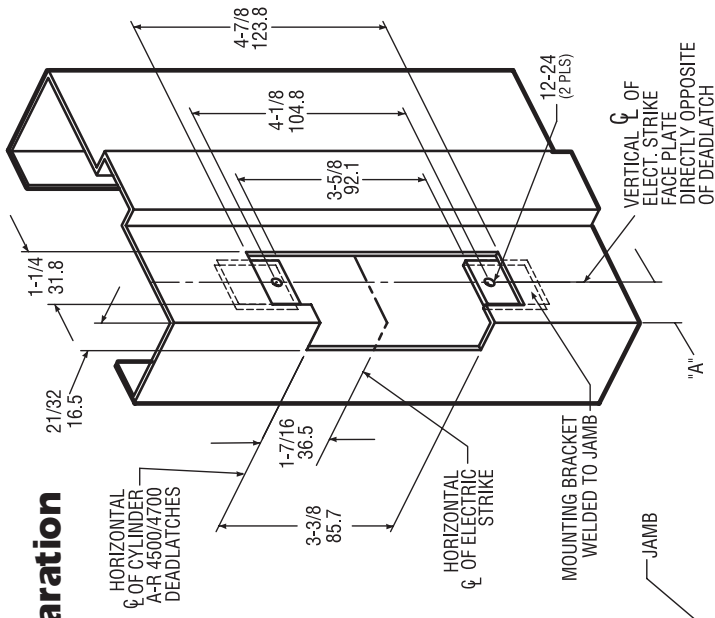
INCHES
MILLIMETERS

Nominal, subject to tolerance extremes.

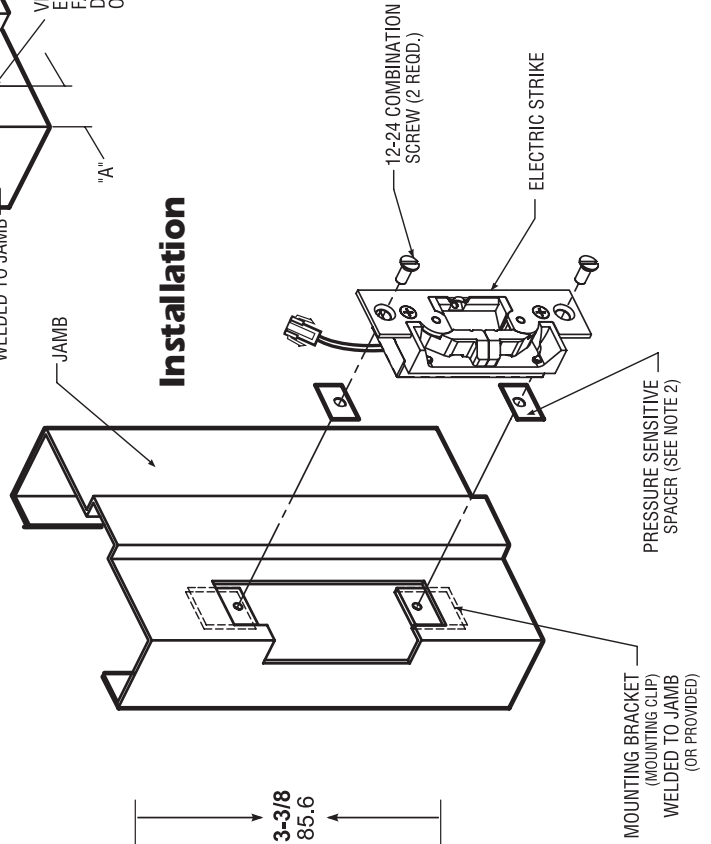


INSTALLATION

Jamb Preparation



Installation



STANDARD UNIT FITS DIM "A" 1-1/16" (SEE DASH NO.)
MOUNTING BACKSETS FURNISHED