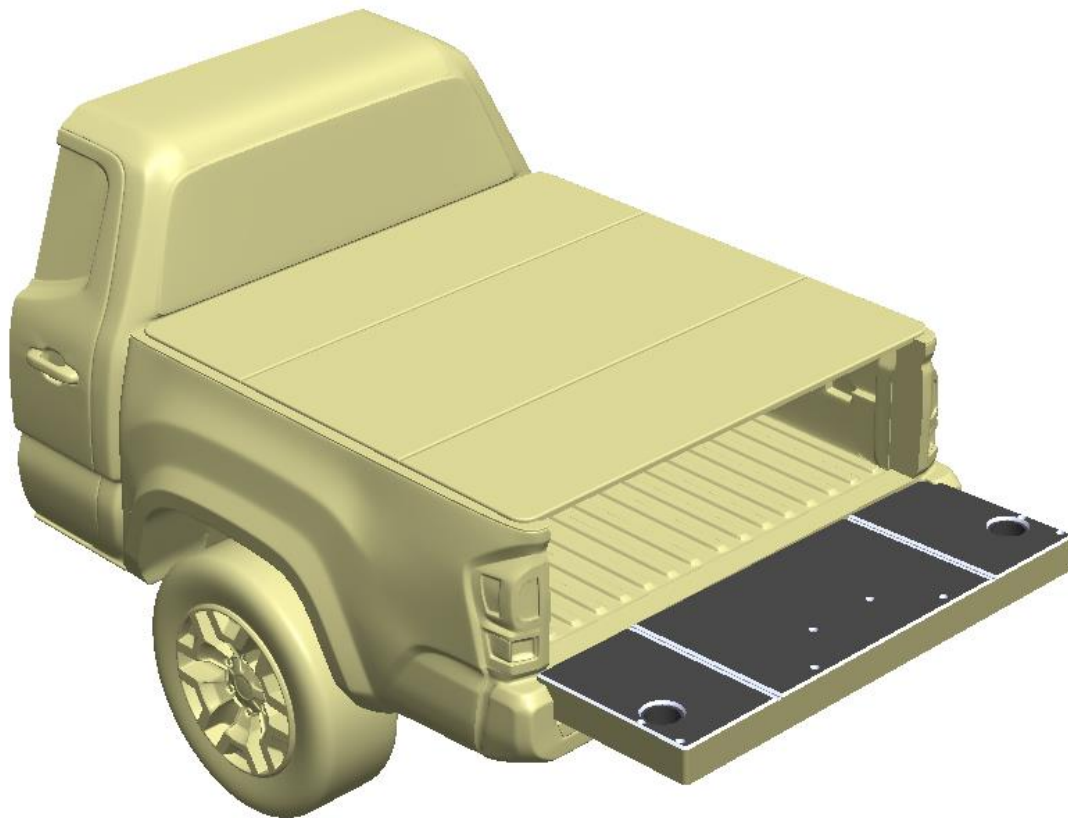




BillieBars TailGate

BillieBars – TAILGATE PANEL INSTALLATIONS

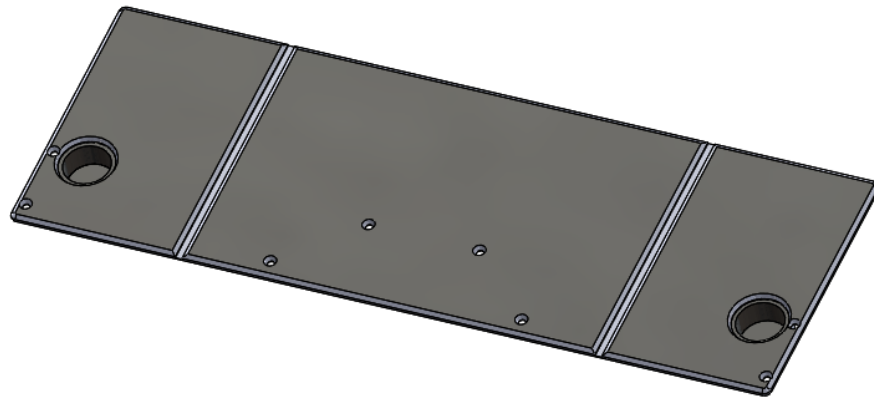


SUPPLIED PARTS

1X TAILGATE COVER WITH INSTALLED CUP HOLDERS (PER MODEL TRUCK)

1X HARDWARE BAG (DOUBLE SIDED TAPE INCLUDED BASED ON MODEL TRUCK)

**Note: Some truck models may not have a hardware kit, the factory bolts will be re-used*



1X TAILGATE COVER

TOOLS REQUIRED

T10-T30 TORX BIT BASED ON TRUCK MODEL AND FACTORY BOLTS

PHILLIPS HEAD SCREW DRIVER

SCISSORS

REMOVE FACTORY PANEL

Remove factory hardware from the existing factory tailgate panel section. These bolts typically range from T10-T30 Torx bits, or Phillips head screws. Note the factory tailgate panel may be a small portion of the tailgate shown in the below picture, or a full plastic cover as shown in the 2nd picture below. Remove the factory panel.



INSTALL YOUR BILLIEBARS TAILGATE PANEL

REVIEW INSTRUCTIONS "A" THROUGH "D" DEPENDING ON TRUCK MODEL

- A) IF YOU DID NOT RECEIVE A HARDWARE KIT**
- B) IF YOUR HARDWARE KIT HAS 3M DOUBLE SIDED TAPE**
- C) IF YOUR HARDWARE KIT HAS PLASTIC SPACERS**
- D) TOYOTA TUNDRA 2022+**

***NOTE: DO NOT OVER TIGHTEN SCREWS**

A) IF YOU DID NOT RECEIVE A HARDWARE KIT

Place BillieBars Tailgate Panel over tailgate. Align mounting holes and re-use the factory hardware to secure the new tailgate panel.



It is recommended to hand tighten all screws to secure the BillieBars Tailgate Panel.



B) IF YOUR HARDWARE KIT HAS 3M DOUBLE SIDED TAPE

Clean the factory tailgate surface with alcohol or similar.



Use the 3M double sided tape and evenly space on the tailgate edge closest to the truck bed. This can also be placed on the BillieBars Tailgate panel bottom. Ensure the tape is underneath the panel and fully covered. Scissors may be used to cut to length.



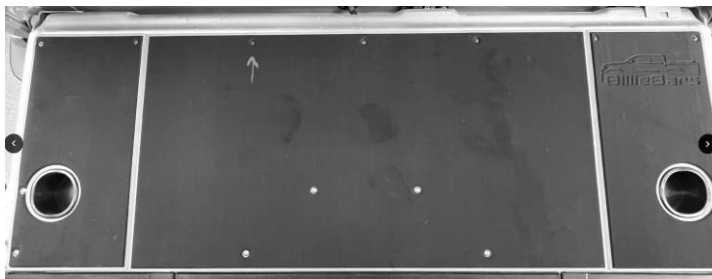
Peel backing off the double-sided tape. Align the BillieBars Tailgate Panel with the mounting holes and press firmly down.



Install new screws by hand tightening if your hardware kit came with screws.



Note: We include 3M tape for a no drill application. For a better secure fit, we also include self-tapping screws in a separate bag. If you have an adhering issue, use the self-tapping screws which have an integrated washer on them for the pad material.



C) IF YOUR HARDWARE KIT HAS PLASTIC SPACERS

SIVERADO 2014-2018

Long Spacers will be placed in each corner of the mounting screws. Shallow Spacers will be placed in the middle (if received). Continue to Section "B"



RAM/TITAN

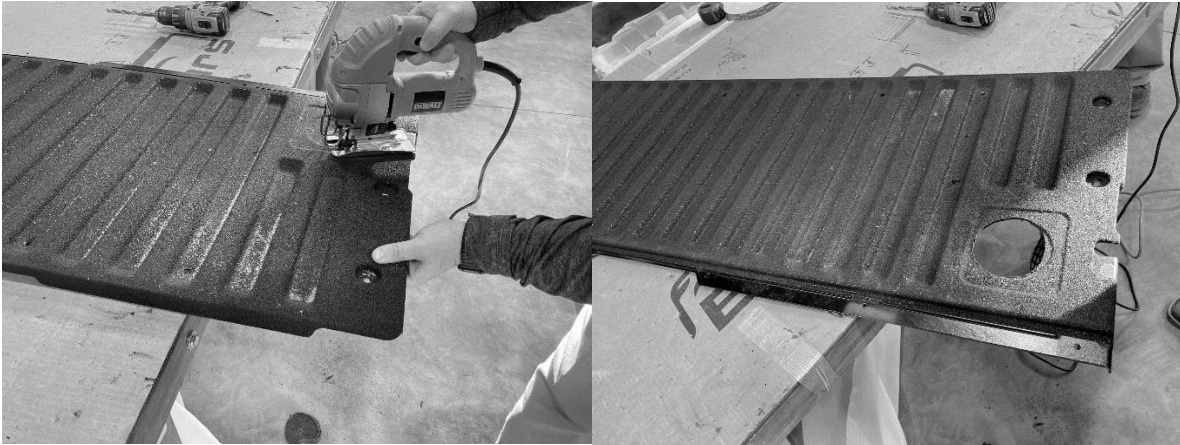
Spacers will be placed in the 4 mounting screws closest to the truck bed. Continue to Section "B"



D) TOYOTA TUNDRA 2022+

IF INSTALLING WITH CUP HOLDERS

Factory panel will be kept on for installation. Set the BillieBars Tailgate Panel over the Factory Cover. Use a sharpie and trace the cup holder holes from the BillieBars Panel to the factor panel. Remove factory hardware from the existing factory tailgate panel. These bolts typically range from T10-T30 Torx bits, or Phillips head screws. Remove Factory panel and cut traced holes.



Place Factory panel back on the Tundra tailgate. Place the BillieBars Tailgate panel over the factory panel. Align holes and use supplied hardware kit to tighten screws.



BILLIEBARS TAILGATES GUIDELINES

We encourage safe usage of all our products we have tested and designed for real life use. This being said, there are always outside factors we can't always account for and comprehend.

BillieBars Tailgate uses a closed cell marine grade foam, adhered to aluminum. The melting point for the BillieBars Tailgate is 175 degrees. If you plan on cooking on the BillieBars Tailgate, use a heat resistant cooking mat in between the grill of choice and the Tailgate

Damage can occur to the BillieBars Tailgate, if heavy and/or sharp items are dragged or dropped on the Tailgate

Be certain all bolts are securely fastened before a driving event

Only use BillieBars Tailgates that are for the specific model it was intended for

WARRANTY

BillieBars Warrants our branded products free from defects in material and workmanship, for terms specified below, provided there has been normal use and proper maintenance. All remedies under this warranty are limited to the repair or replacement of any item found by the factory to be defective within the time period specified. Damage to products caused by accidents, Fire, vandalism, negligence, mis-installation, misuse, Acts of God, or by defective parts not manufactured by us, is not covered under this warranty. THE WARRANTY TIME PERIOD IS AS FOLLOWS: (2) ONE YEARS FROM DATE OF PURCHASE.

FOR WARRANTY ISSUES PLEASE REACHOUT TO US AT INFO@BILLIEBARS.COM