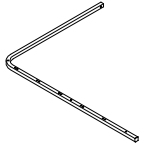


ASSEMBLY INSTRUCTION

ITEM NO: 197MMF-850Q

QUEEN METAL BED FRAME

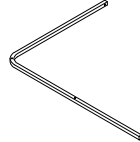
PART LIST:



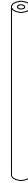
A:Rail Left Section
2PCS



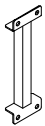
B:Rail Right Section
2PCS



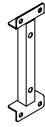
C:Rail Down Section
4PCS



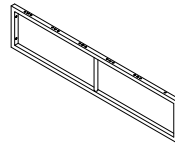
D:Rail Support Bar
8PCS



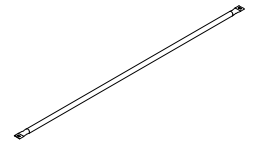
E:Rail Side Connector Bar
2PCS



F:Rail End Connector Bar
2PCS



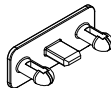
G:Center Support Rail
2PCS



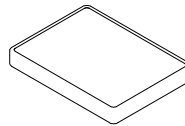
H:Slat
24PCS



I:Slat Connector
20PCS



J:Slat Connector - Middle
10PCS



K:Coverlet
1PC

HARDWARE LIST:



1: Bolt
1/4*35mm
X 20pcs



2: Bolt
1/4*50mm
X 2pcs



3: Bolt
1/4*16mm
X 16pcs



4: Bolt
3/16*16mm
X 6pcs



5: Nut 1/4
X 2psc



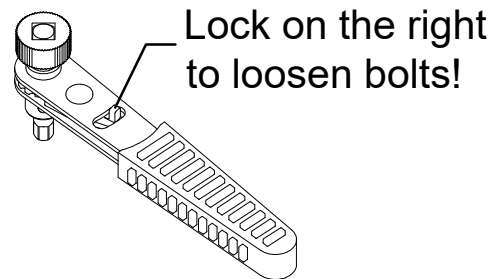
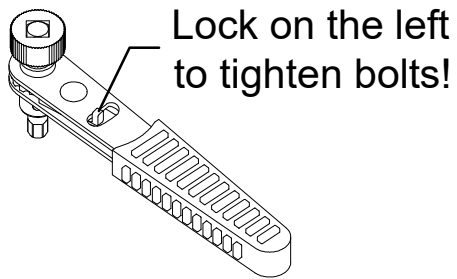
6: Wrench
X 1pc



7: Ratchet Tool
X 1PC

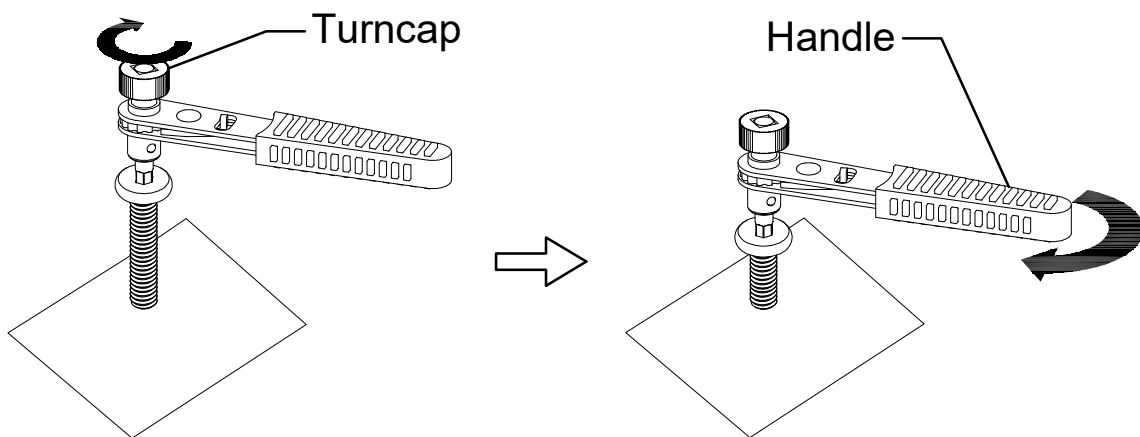
How to Use the Ratchet Tool (7)

1. Before assembling the furniture, please adjust the lock as needed.

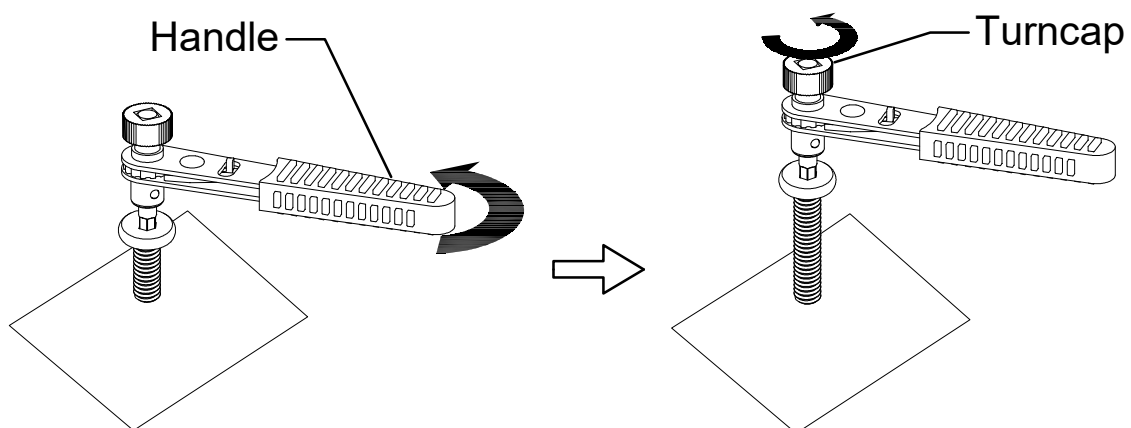


2. Tighten or loosen bolts.

- **Tighten bolts:** Locate the turncap and rotate it clockwise to screw the bolt quickly until it cannot be rotated any more. Then start rotating the handle clockwise to finalize tightening the bolt.

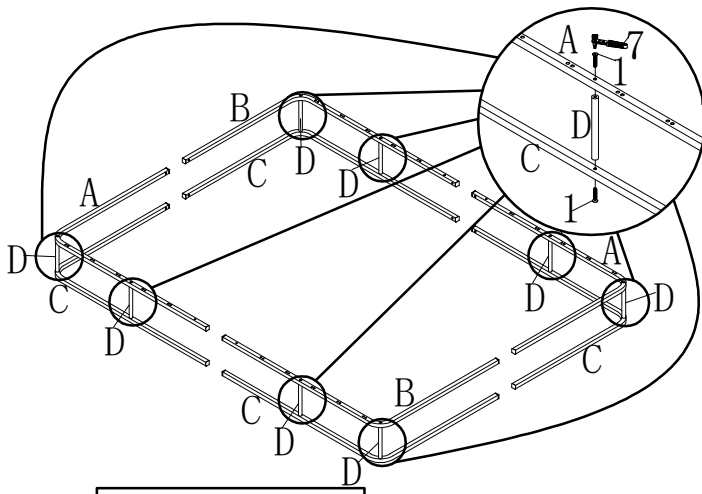


- **Loosen bolts:** Rotate the handle counterclockwise to loosen the bolt. Then continue rotating the turncap in the same direction to remove the bolt completely.



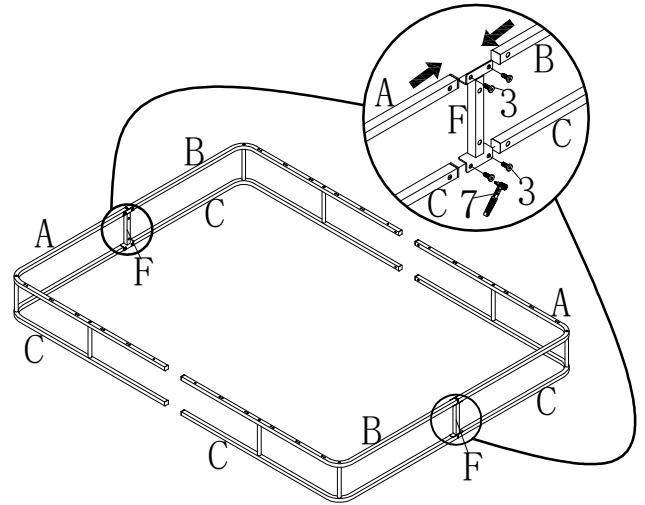
Note: Please do not tighten all bolts until the bed is assembled completely.

STEP 1



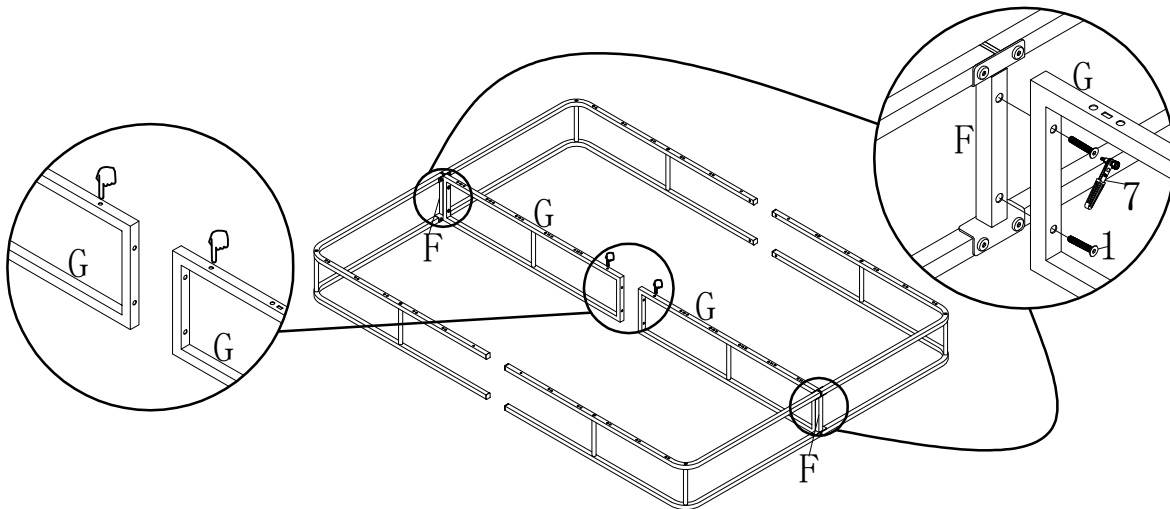
Hardware 1: 16 pcs

STEP 2



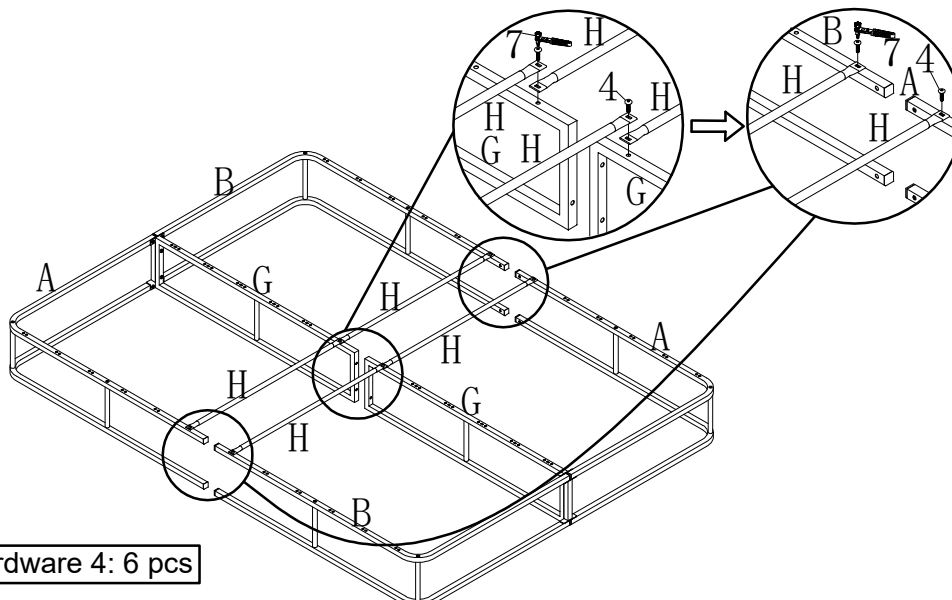
Hardware 3: 8 pcs

STEP 3



Hardware 7: 4 pcs

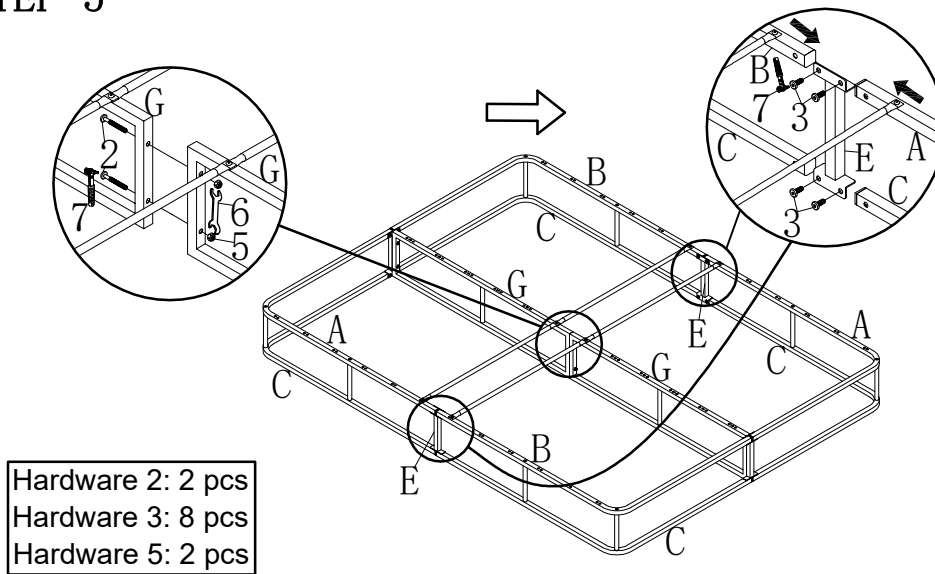
STEP 4



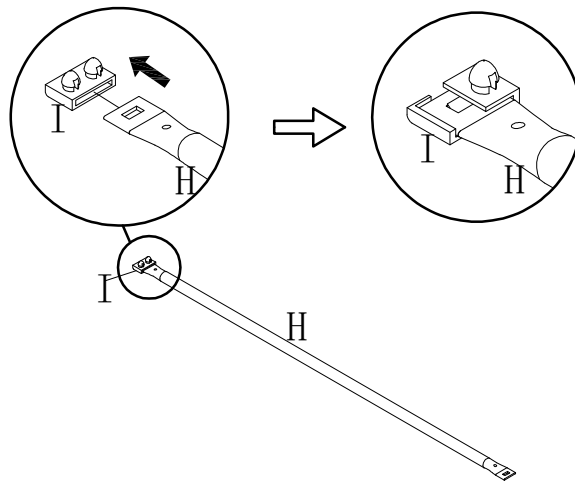
Hardware 4: 6 pcs

Note: Please do not tighten all bolts until the bed is assembled completely.

STEP 5

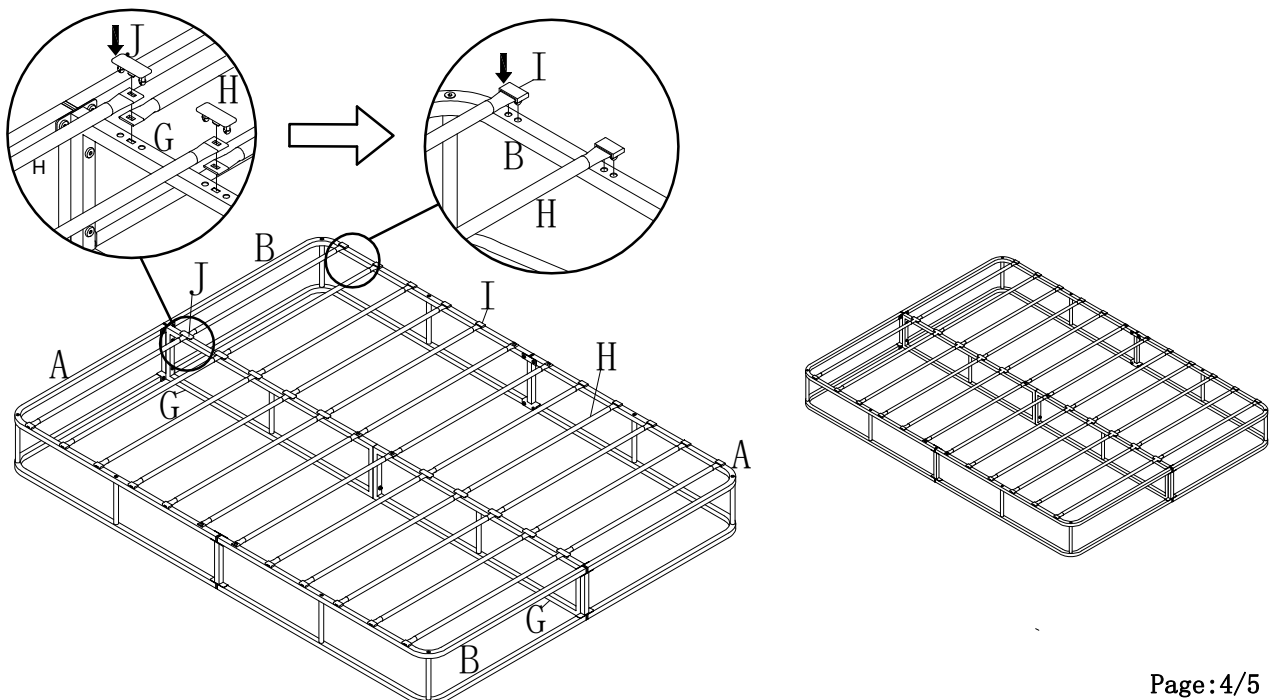


STEP 6



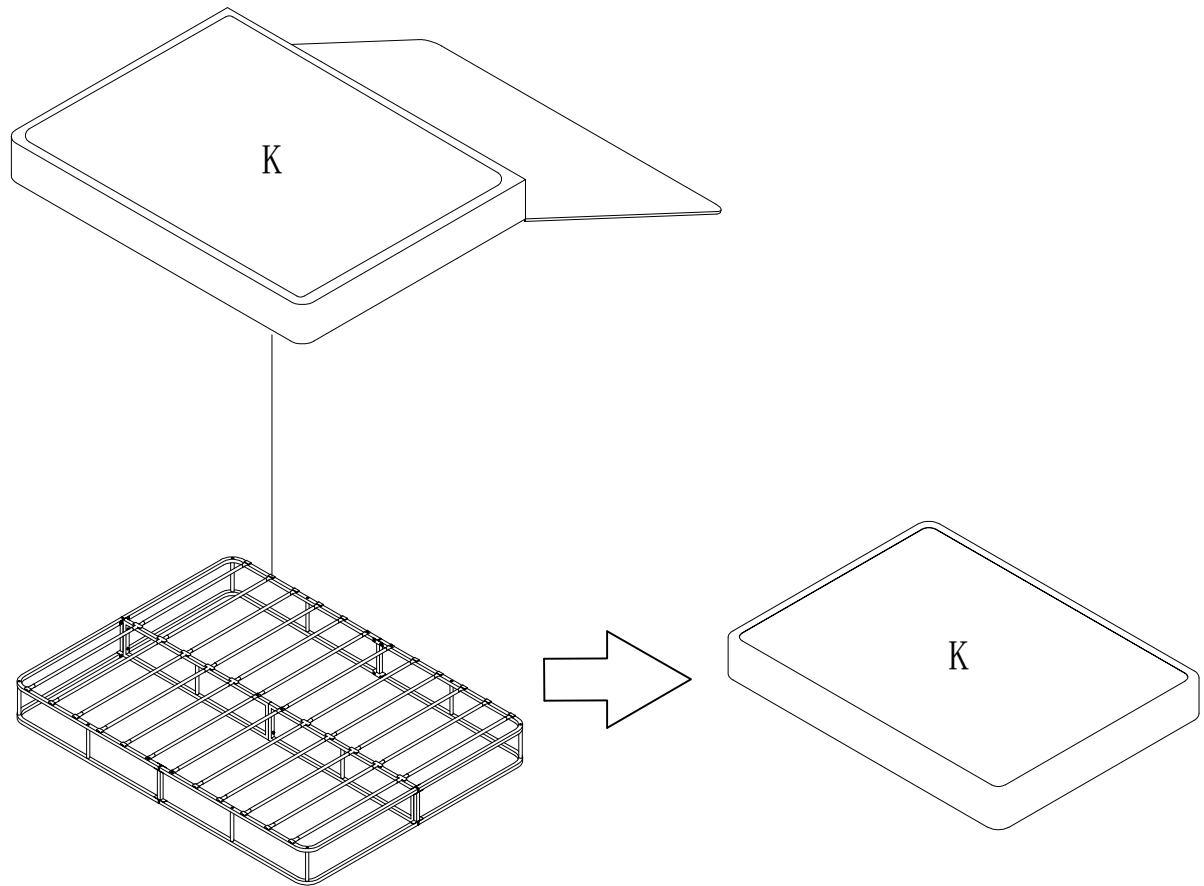
STEP 7

COMPLETED

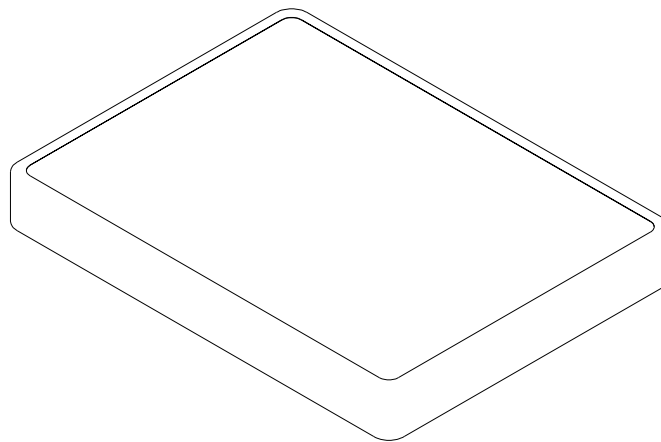


Note: Please do not tighten all bolts until the bed is assembled completely.

STEP 8



COMPLETED



For items use on wooden floor, hard surfaces or carpets, it is recommended to install protective pads under all legs and supports to avoid/prevent from damages/scratches and discoloration.