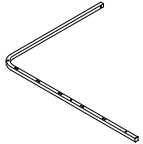


# ASSEMBLY INSTRUCTION

## ITEM NO: 197MMF-850F

### FULL METAL BED FRAME

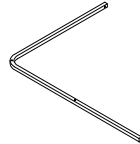
**PART LIST:**



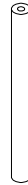
**A:Rail Left Section**  
2PCS



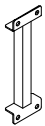
**B:Rail Right Section**  
2PCS



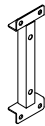
**C:Rail Down Section**  
4PCS



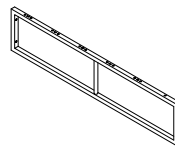
**D:Rail Support Bar**  
8PCS



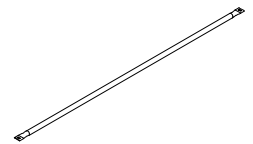
**E:Rail Side Connector Bar**  
2PCS



**F:Rail End Connector Bar**  
2PCS



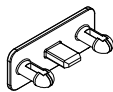
**G:Center Support Rail**  
2PCS



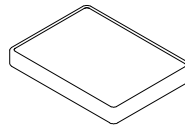
**H:Slat**  
24PCS



**I:Slat Connector**  
20PCS



**J:Slat Connector - Middle**  
10PCS



**K:Coverlet**  
1PC

**HARDWARE LIST:**



**1: Bolt**  
1/4\*35mm  
X 20pcs



**2: Bolt**  
1/4\*50mm  
X 2pcs



**3: Bolt**  
1/4\*16mm  
X 16pcs



**4: Bolt**  
3/16\*16mm  
X 6pcs



**5: Nut 1/4**  
X 2psc



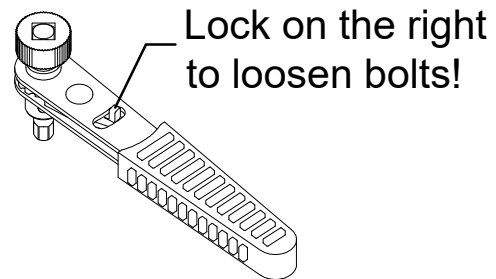
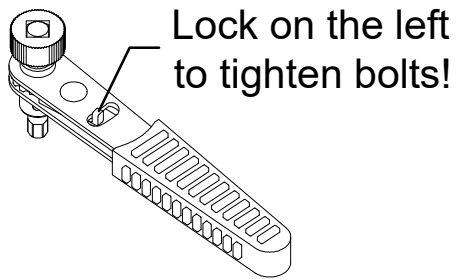
**6: Wrench**  
X 1pc



**7: Ratchet Tool**  
X 1PC

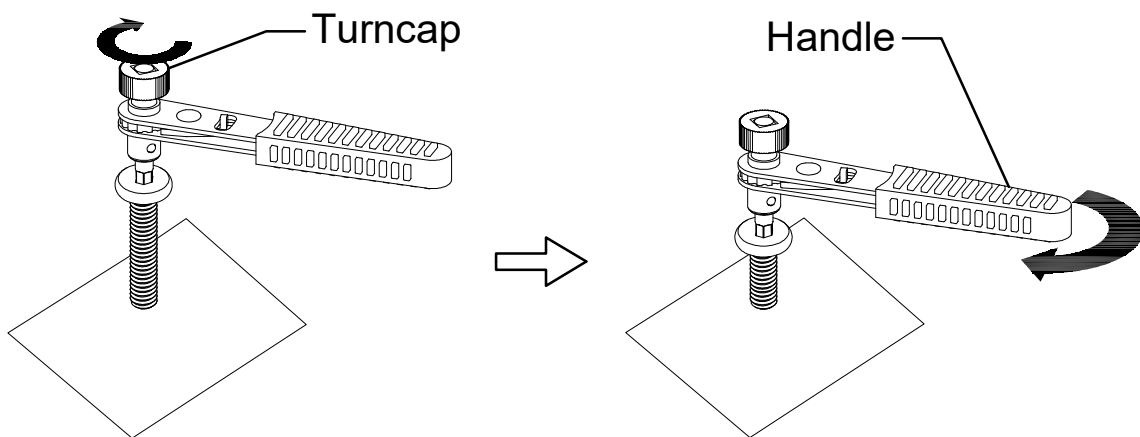
## How to Use the Ratchet Tool (7)

1. Before assembling the furniture, please adjust the lock as needed.

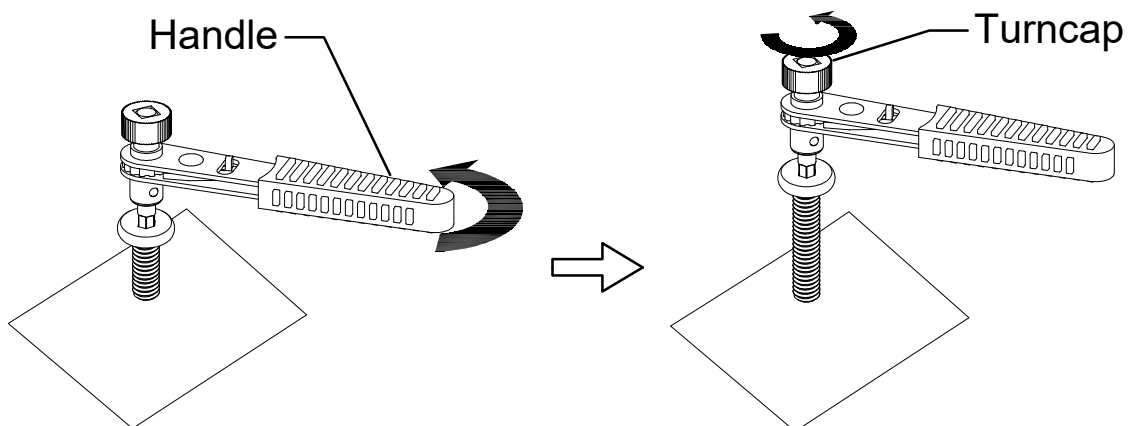


2. Tighten or loosen bolts.

- **Tighten bolts:** Locate the turncap and rotate it clockwise to screw the bolt quickly until it cannot be rotated any more. Then start rotating the handle clockwise to finalize tightening the bolt.

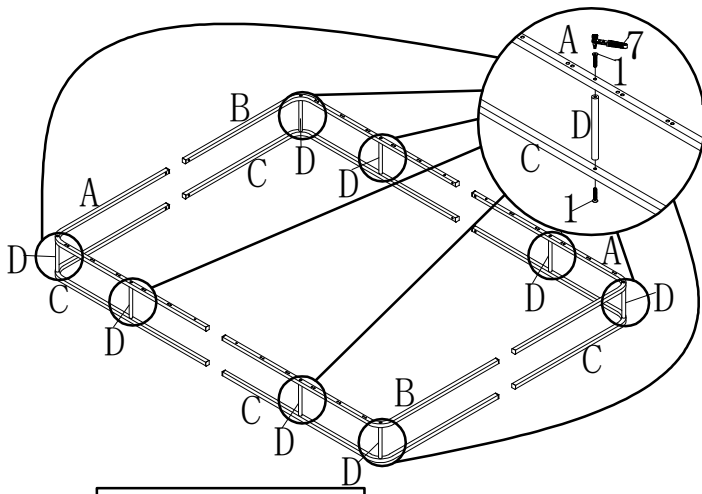


- **Loosen bolts:** Rotate the handle counterclockwise to loosen the bolt. Then continue rotating the turncap in the same direction to remove the bolt completely.



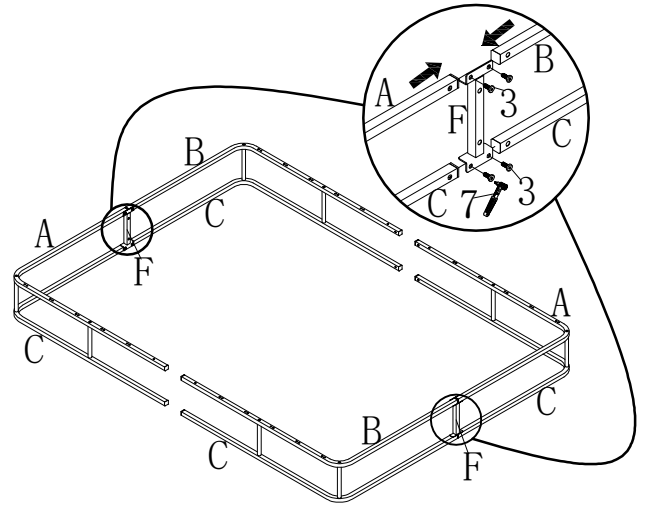
Note: Please do not tighten all bolts until the bed is assembled completely.

STEP 1



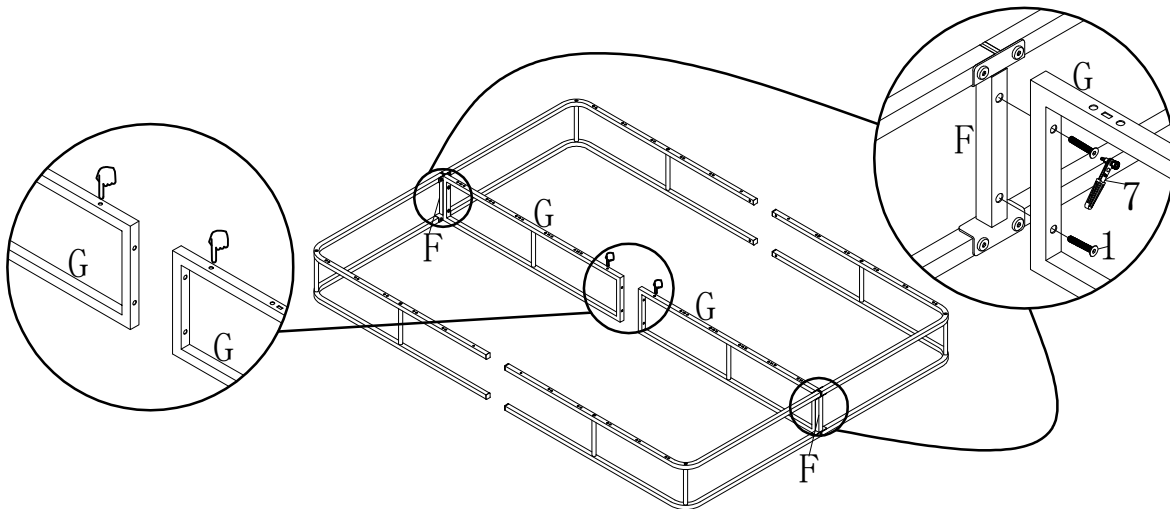
Hardware 1: 16 pcs

STEP 2



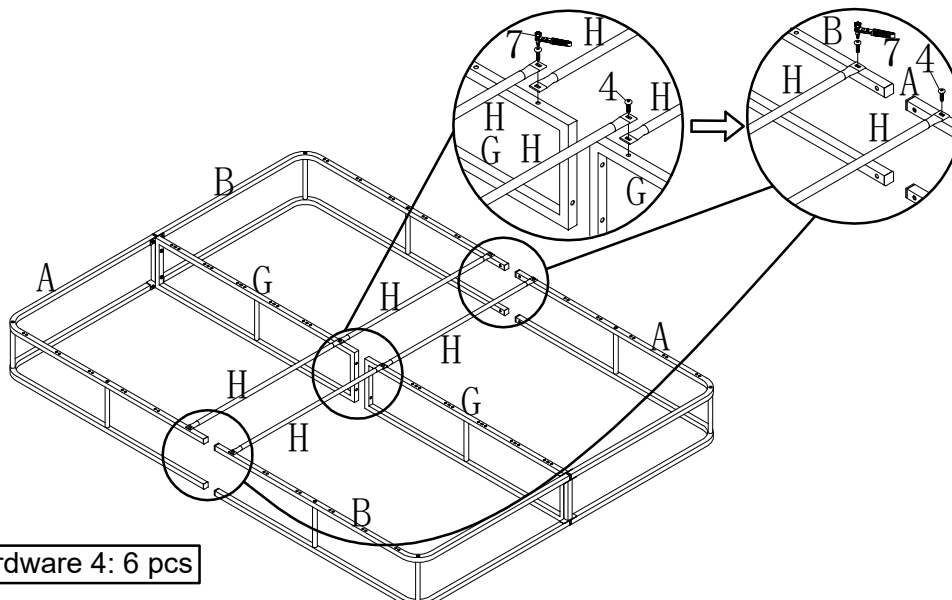
Hardware 3: 8 pcs

STEP 3



Hardware 7: 4 pcs

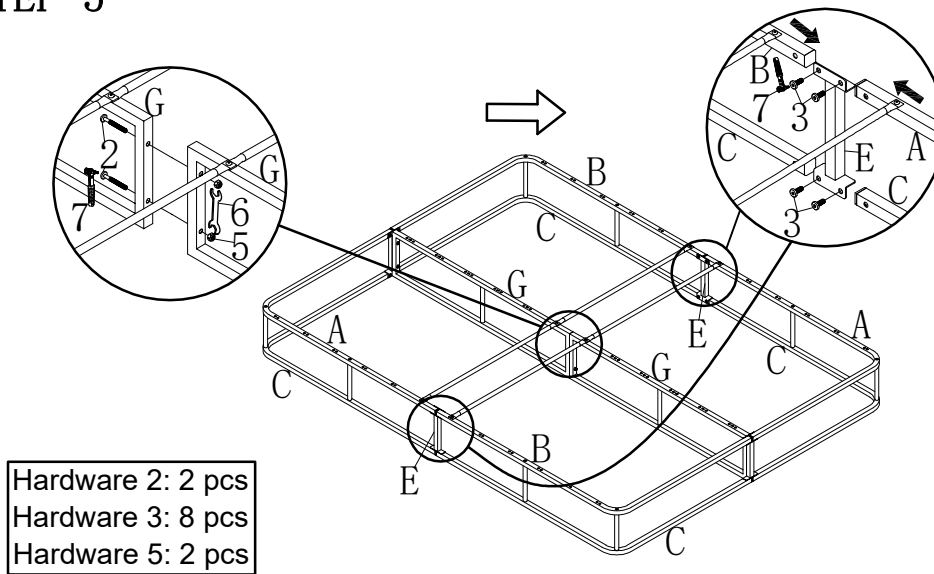
STEP 4



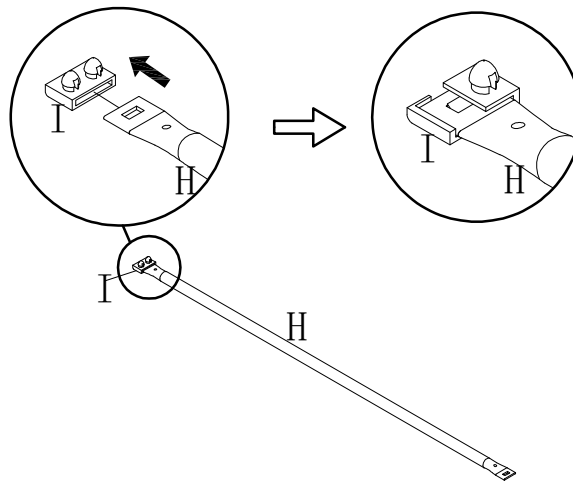
Hardware 4: 6 pcs

Note: Please do not tighten all bolts until the bed is assembled completely.

STEP 5

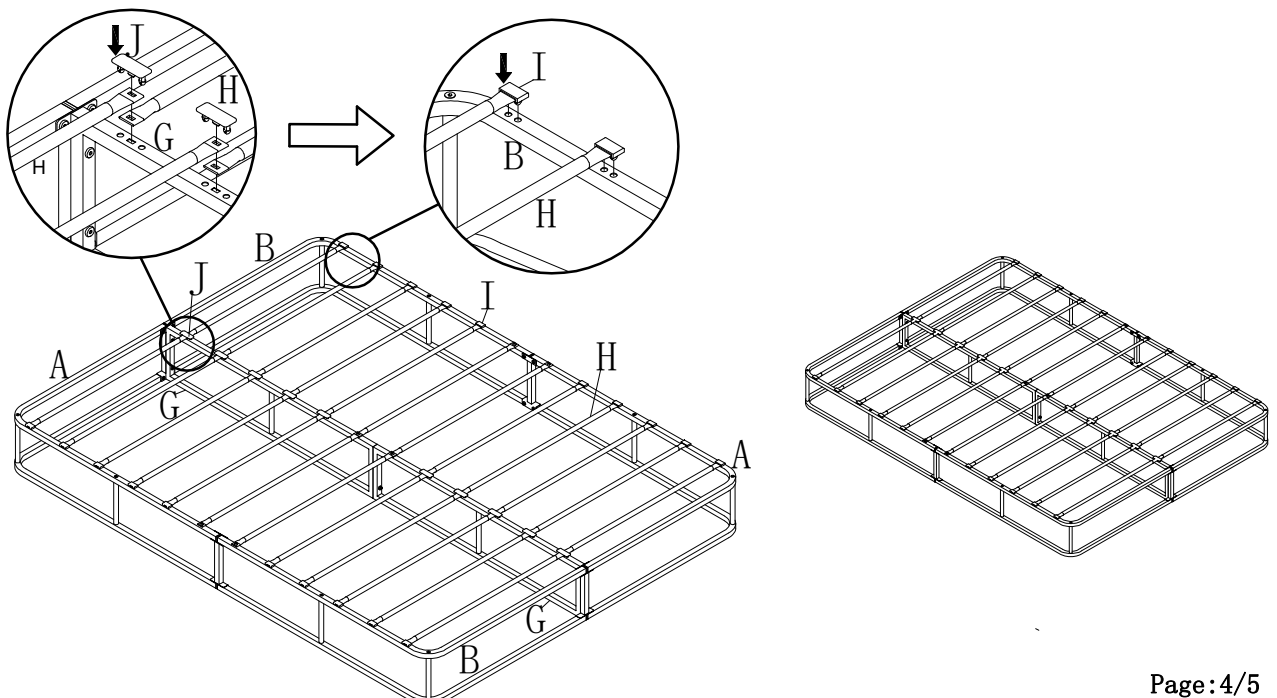


STEP 6



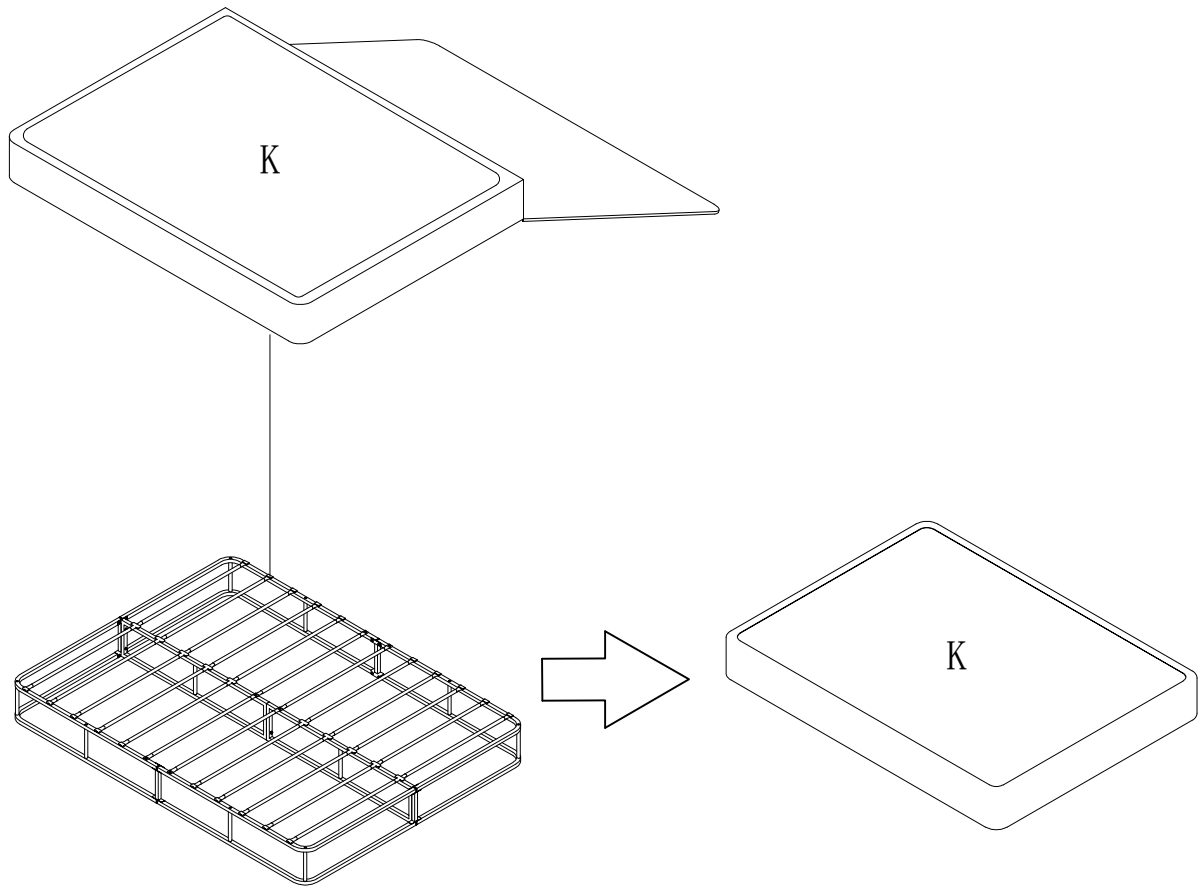
STEP 7

COMPLETED

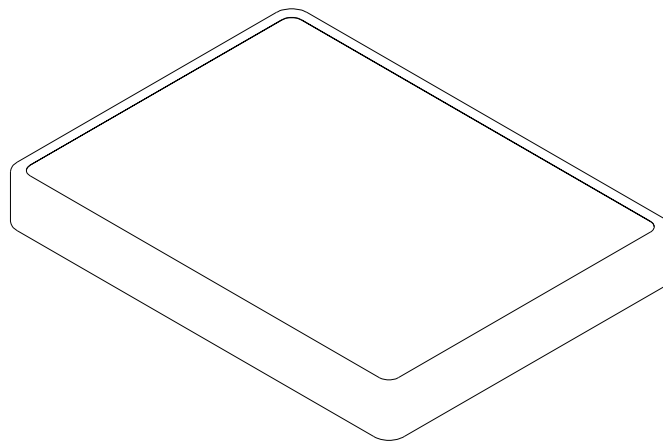


Note: Please do not tighten all bolts until the bed is assembled completely.

STEP 8



COMPLETED



For items use on wooden floor, hard surfaces or carpets, it is recommended to install protective pads under all legs and supports to avoid/prevent from damages/scratches and discoloration.