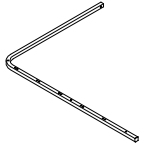


# ASSEMBLY INSTRUCTION

## ITEM NO: 197MMF-850EK

### EK METAL BED FRAME

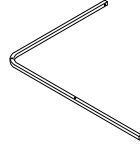
#### PART LIST:



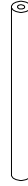
A:Rail Left Section  
2PCS



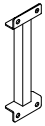
B:Rail Right Section  
2PCS



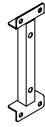
C:Rail Down Section  
4PCS



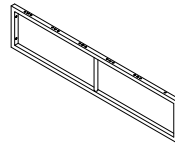
D:Rail Support Bar  
8PCS



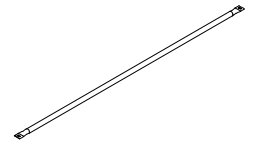
E:Rail Side Connector  
Bar  
2PCS



F:Rail End Connector  
Bar  
2PCS



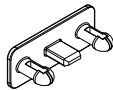
G:Center Support Rail  
2PCS



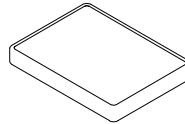
H:Slat  
24PCS



I:Slat Connector  
20PCS



J:Slat Connector -  
Middle  
10PCS



K:Coverlet  
1PC

#### HARDWARE LIST:



1: Bolt  
1/4\*35mm  
X 20pcs



2: Bolt  
1/4\*50mm  
X 2pcs



3: Bolt  
1/4\*16mm  
X 16pcs



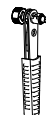
4: Bolt  
3/16\*16mm  
X 6pcs



5: Nut 1/4  
X 2psc



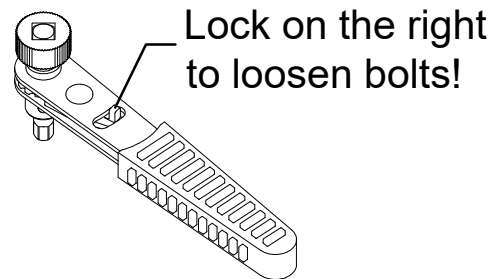
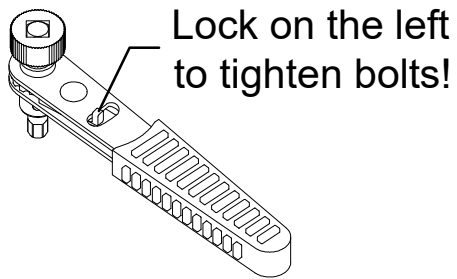
6: Wrench  
X 1pc



7: Ratchet Tool  
X 1PC

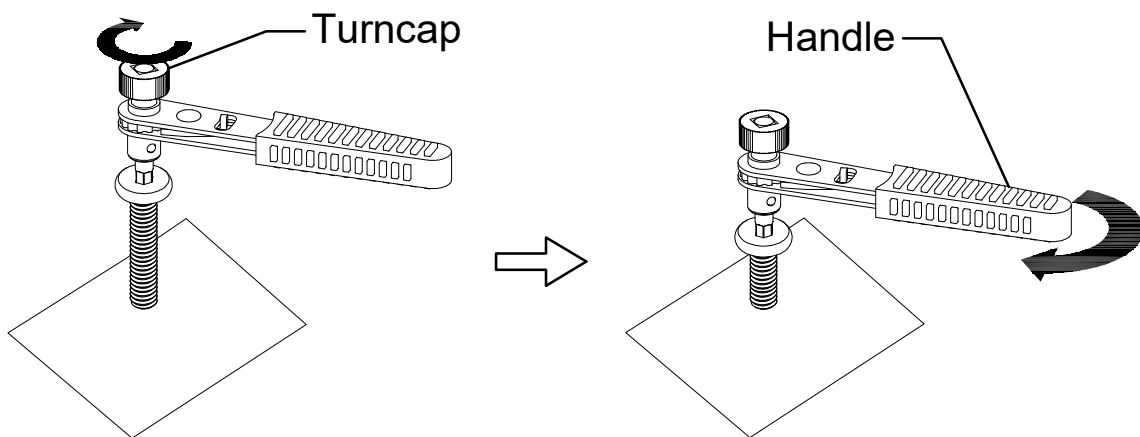
## How to Use the Ratchet Tool (7)

1. Before assembling the furniture, please adjust the lock as needed.

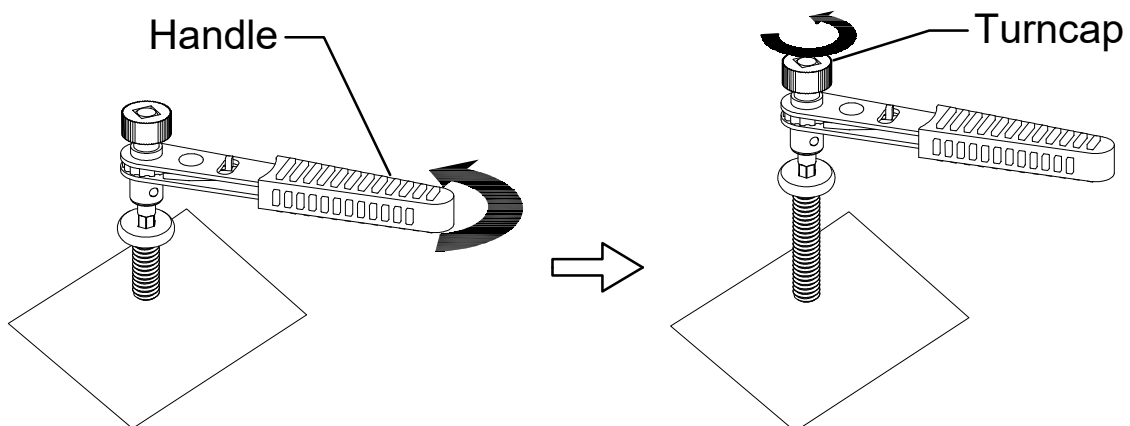


2. Tighten or loosen bolts.

- **Tighten bolts:** Locate the turncap and rotate it clockwise to screw the bolt quickly until it cannot be rotated any more. Then start rotating the handle clockwise to finalize tightening the bolt.

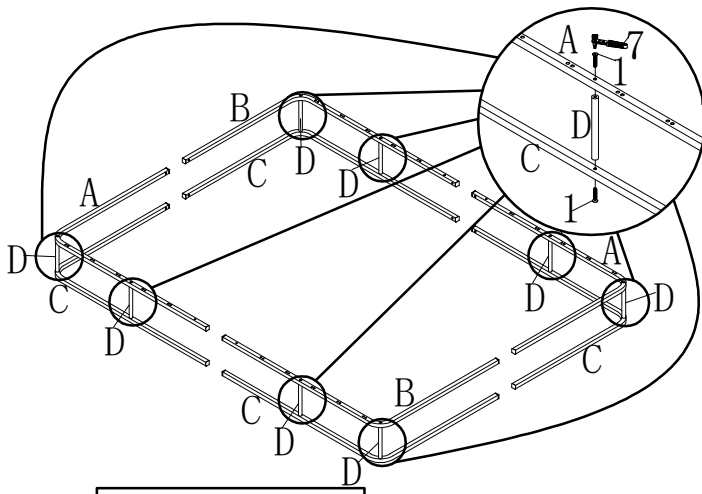


- **Loosen bolts:** Rotate the handle counterclockwise to loosen the bolt. Then continue rotating the turncap in the same direction to remove the bolt completely.



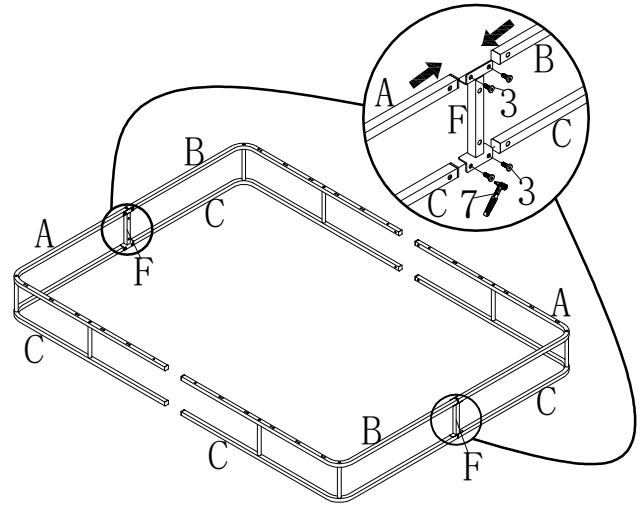
Note: Please do not tighten all bolts until the bed is assembled completely.

### STEP 1



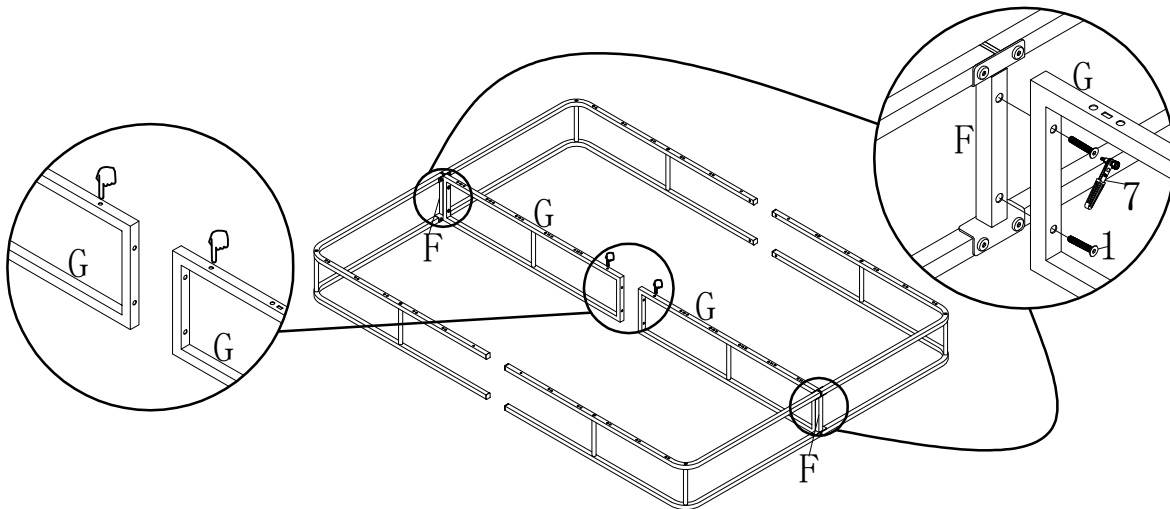
Hardware 1: 16 pcs

### STEP 2



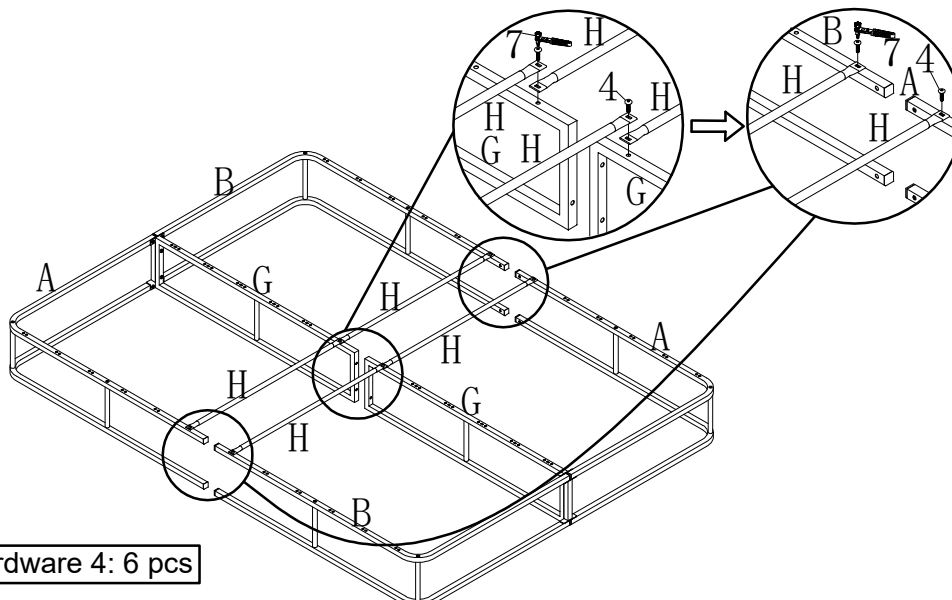
Hardware 3: 8 pcs

### STEP 3



Hardware 7: 4 pcs

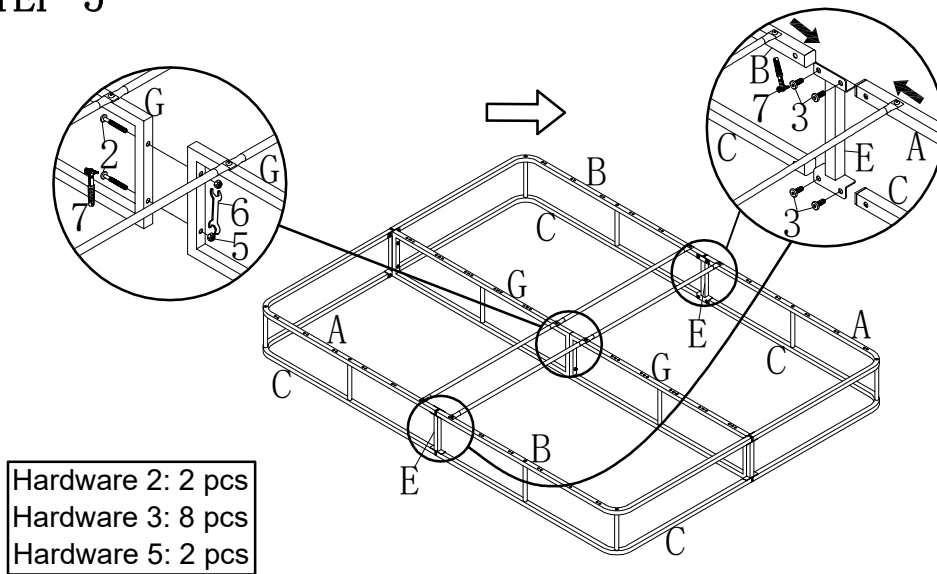
### STEP 4



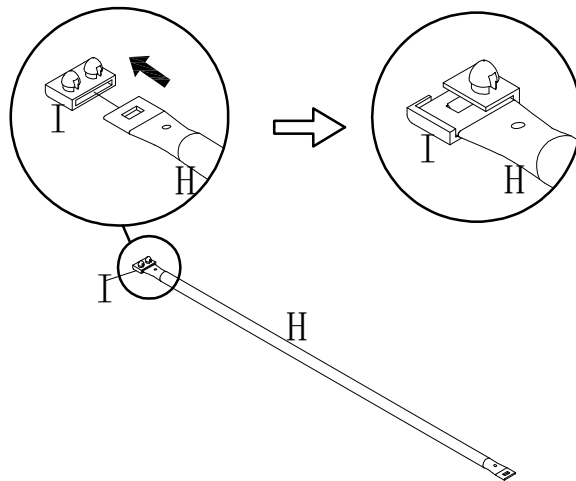
Hardware 4: 6 pcs

Note: Please do not tighten all bolts until the bed is assembled completely.

### STEP 5

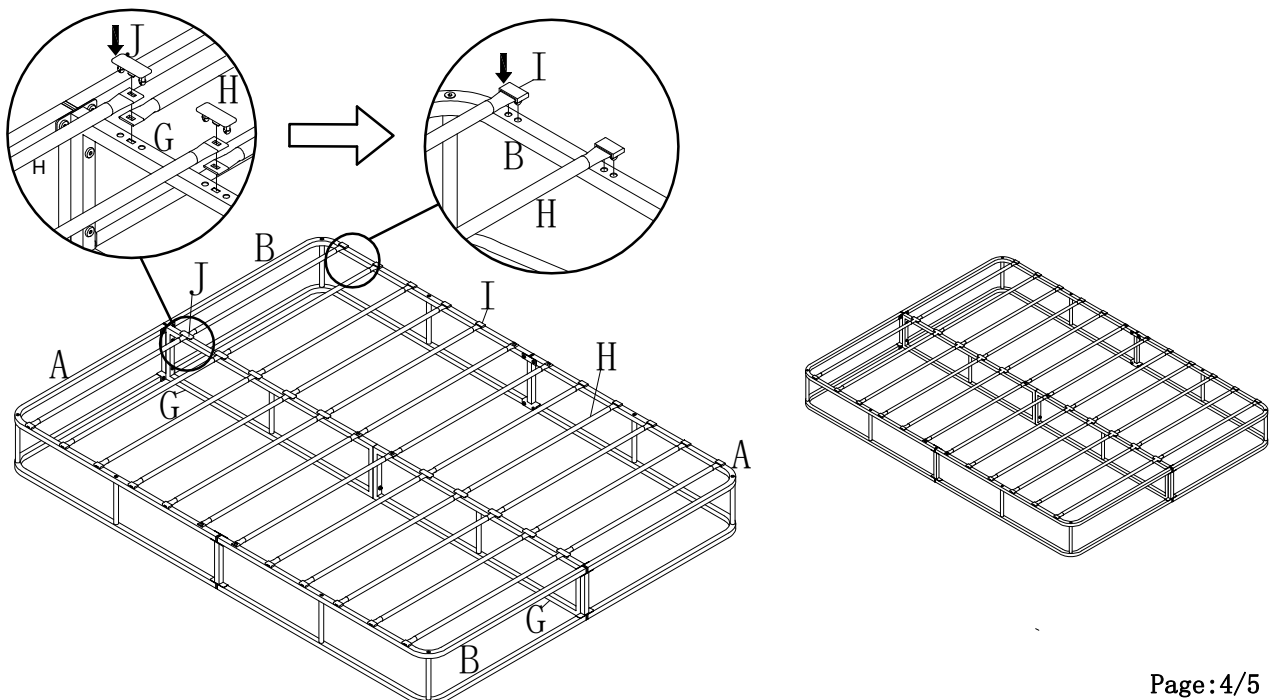


### STEP 6



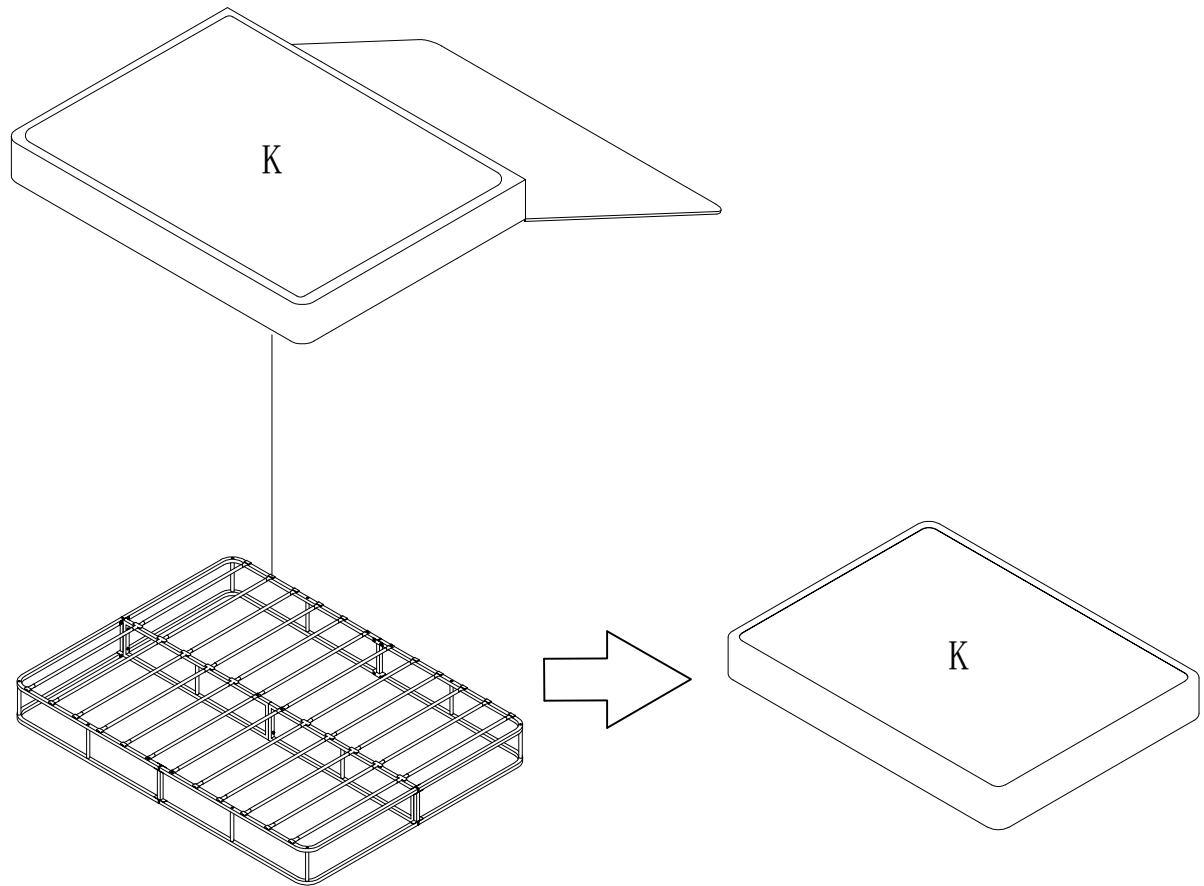
### STEP 7

COMPLETED

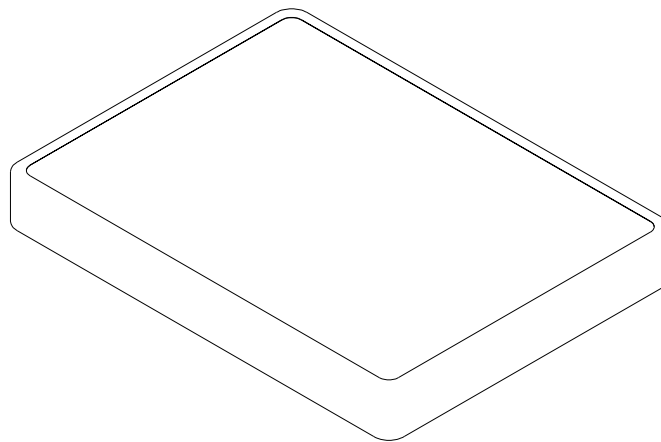


Note: Please do not tighten all bolts until the bed is assembled completely.

STEP 8



COMPLETED



For items use on wooden floor, hard surfaces or carpets, it is recommended to install protective pads under all legs and supports to avoid/prevent from damages/scratches and discoloration.