










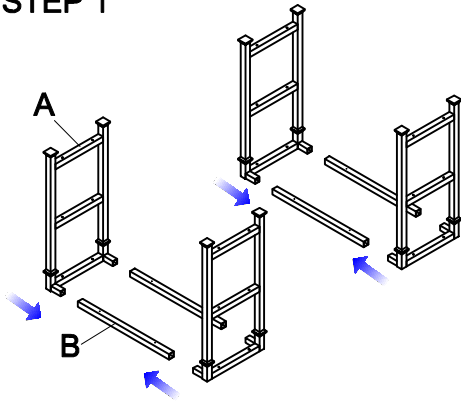


ASSEMBLY INSTRUCTIONS

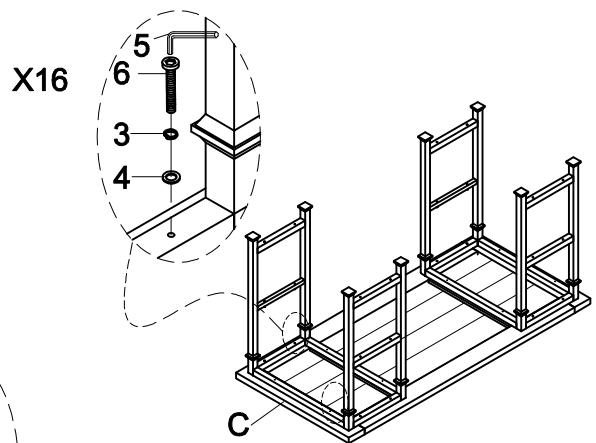
ITEM# : 196H3228-15 DESK

PART LIST					HARDWARE LIST			
A		SIDE FRAME	4PCS	1		BOLT-SMALL	1/4"X1-1/2"	16PCS
B		IRON BAR	4PCS	2		SPACER	40X40X3mm	8PCS
C		TOP PANEL	1PC	3		LOCK WASHER	1/4"	32PCS
D		MIDDLE SHELF	2PCS	4		FLAT WASHER	1/4"*16mm	32PCS
E		BOTTOM PANEL	2PCS	5		ALLEN WRENCH	4mm	1PC
				6		BOLT-LARGE	1/4"X1-3/4"	16PCS

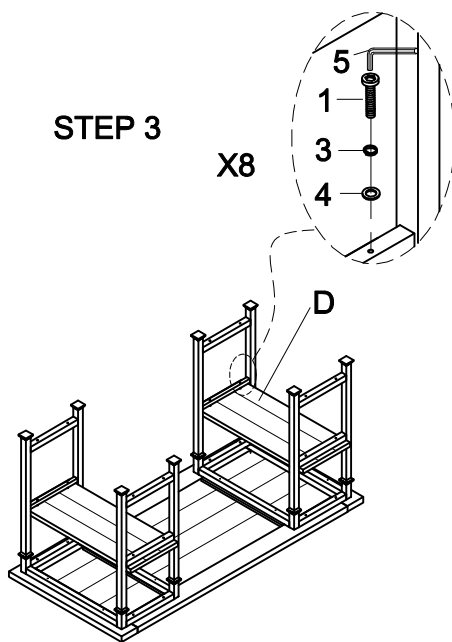
STEP 1



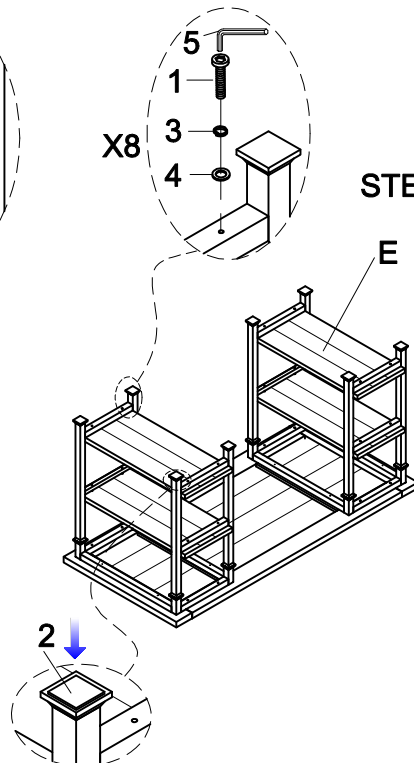
STEP 2



STEP 3

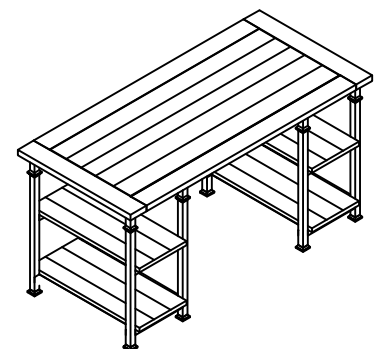


STEP 4



STEP 5

ASSEMBLY COMPLETED



For items use on wooden floor, hard surfaces or carpets, it is recommended to install protective pads under all legs and supports to avoid/prevent from damages/scratches and discoloration.