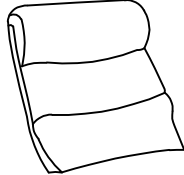
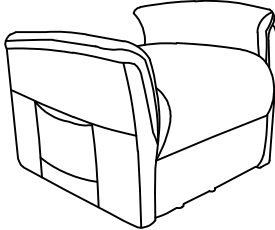
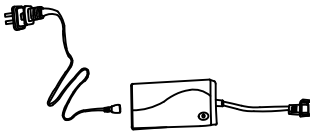


ASSEMBLY INSTRUCTION
ITEM NO.: 194SR19868GRY/BRW/BUE-1LT
POWER LIFT CHAIR WITH MASSAGE & HEAT

NOTE: Do not use power tools for assembly. Power tools increase the risk of over tightening which lead to splitting or cracking the wood.

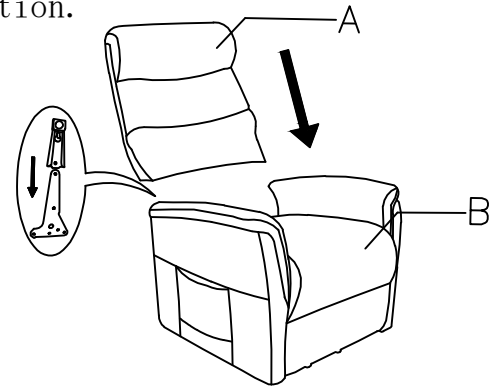
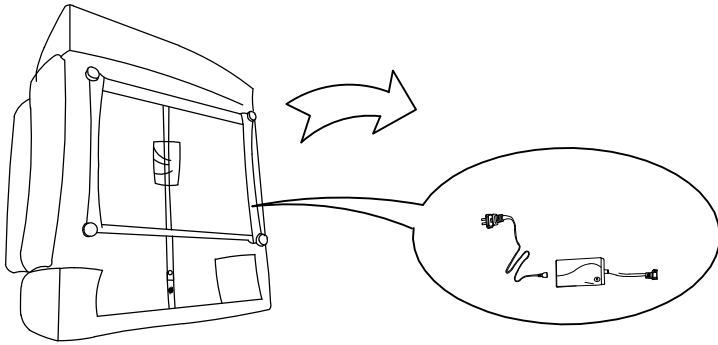
PART LIST

NO.	DRAWING	QTY	DESCRIPTION
A		1	BACK REST
B		1	SEAT
C		1	POWER KIT

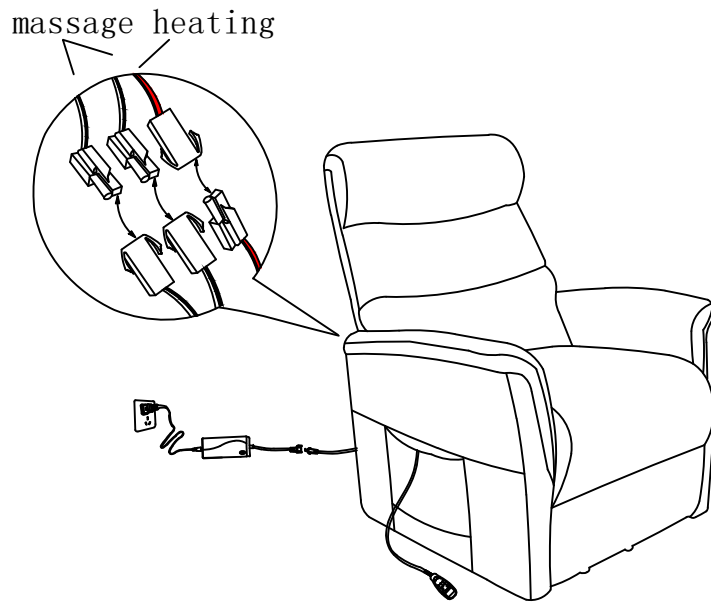
Please follow the drawings below to assemble the item

Step 1: Power kit is stored in the non woven bag at the bottom of the chair. Please take out for assembly.

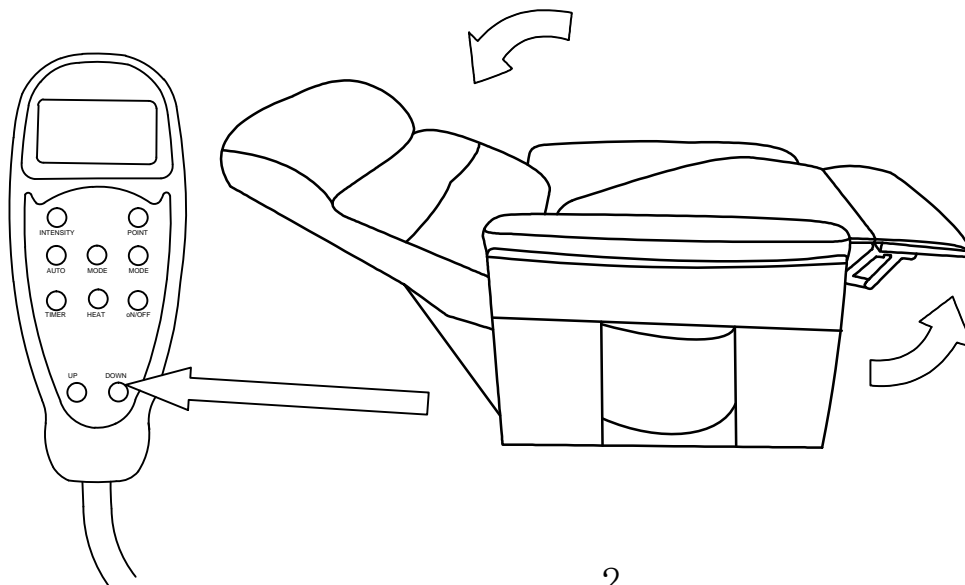
Step 2: Align female bracket at the back onto the male bracket onto the seat, push to the end to secure in position.

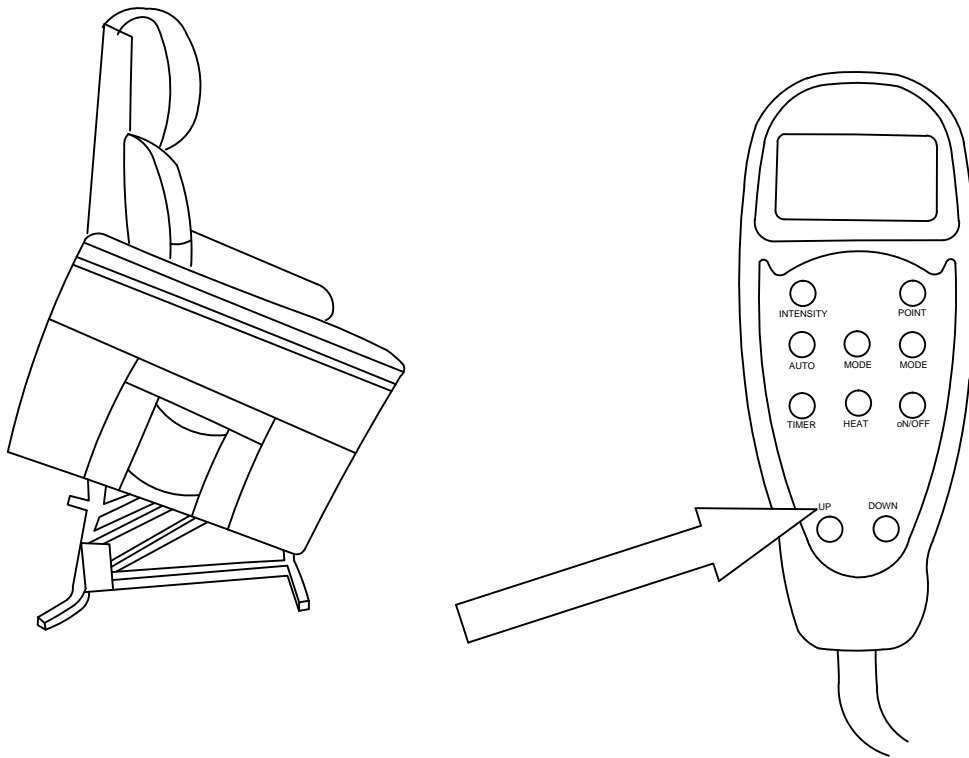


Step 3: Plug and connect the power kit to the chair.



Step 4: Use "up" and "down" keys to recline and lift the chair.





CARE INSTRUCTION FOR 100% POLYESTER FURNITURE

- Avoid exposing furniture directly to sunlight or heating and air conditioning outlets. Exposure to sunlight or heating and air conditioning outlets will fade/damage 100% polyester.
- Wipe gently with a damp soft cloth to remove dust, dirt and any grime buildup.



For items use on wooden floor, hard surfaces or carpets, it is recommended to install protective pads under all legs and supports to avoid/prevent from damages/scratches and discoloration.

Warning!

Do not allow electrical cord to be pinched between moving parts or between the frame and the floor. Do not place cord under carpet or in location where it could become worn.

To avoid damage, please use scissors to remove this tag.