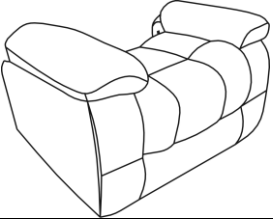
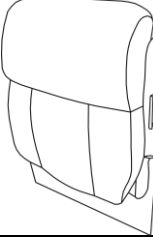

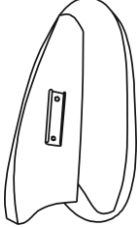


**ASSEMBLY INSTRUCTION**  
**ITEM NO.: 194SR19636/CC-1**  
**GLIDER RECLINING CHAIR**

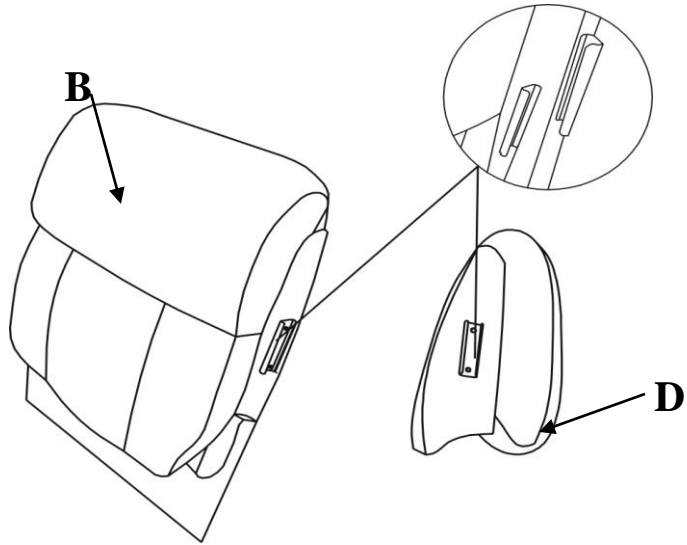


**NOTE: Do not use power tools for assembly. Power tools increase the risk of over tightening which leads to splitting or cracking the wood.**

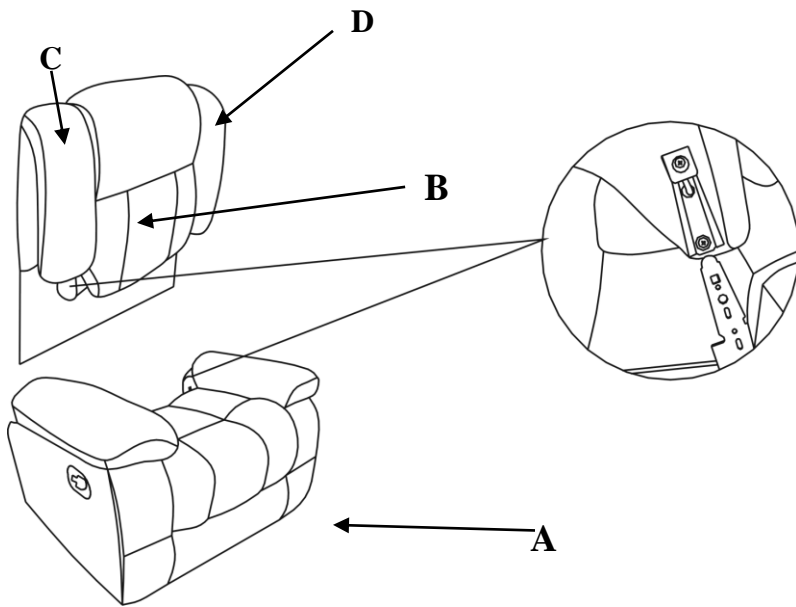
**COMPONENT LIST (CHAIR)**

NO.	DRAWING	QTY	DESCRIPTION
A		1	SEAT
B		1	BACK REST
C		1	LEFT EAR
D		1	RIGHT EAR

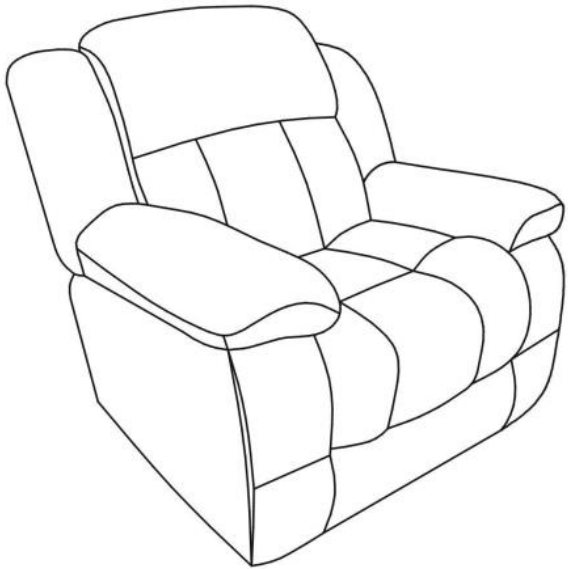
**STEP# 1**



**STEP# 2**



### STEP# 3



#### **Care Instruction for Fabric Furniture.**

In order to maintain the original appearance of your fabric furniture, please follow below simple care procedures:

- Avoid exposing furniture directly to sunlight or heating and air conditioning outlets. Sunlight and/or exposure to heating and air conditioning outlets will fade/damage fabrics.
- Vacuum or wipe with a soft brush to remove dust.



**For items use on wooden floor, hard surfaces or carpets, it is recommended to Install protective pads under all legs and supports to avoid/prevent from damages/scratches and discoloration.**