


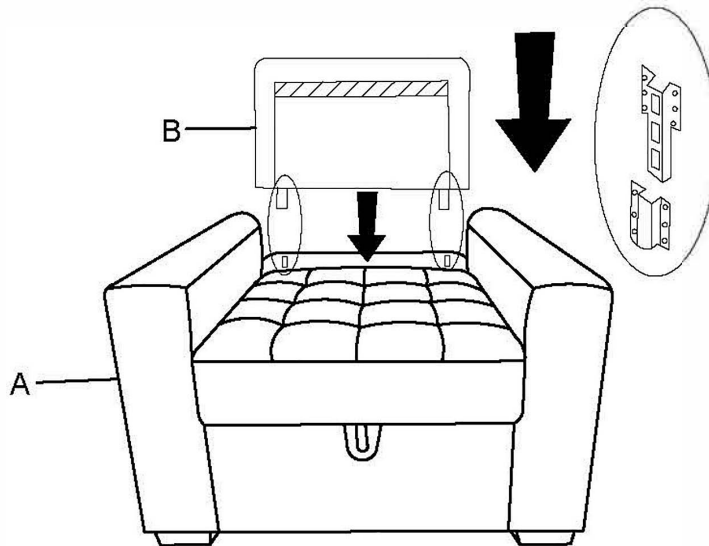
ASSEMBLY INSTRUCTION
ITEM NO: 194S9916DG/GY-1
CHAIR WITH PULL OUT OTTOMAN

! It is recommended to install protective pads under all legs and supports to avoid damage or scratches when placing furniture on a wood floor or other hard surface, and to limit indentation and prevent discoloration if placing on carpet.

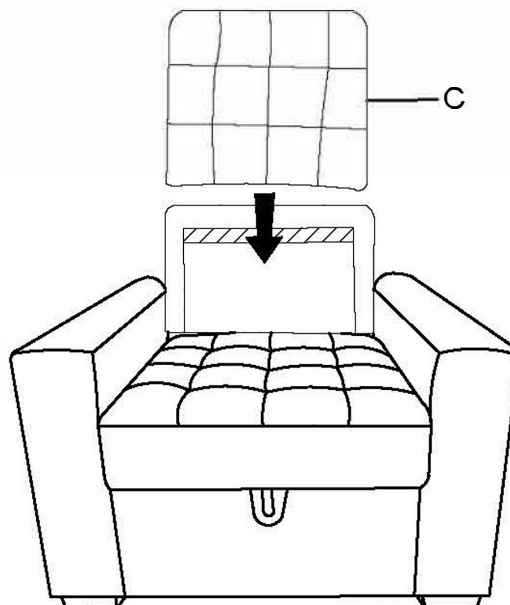
PARTS LIST

NO.	DRAWING	QTY	DESCRIPTION
A		1 PC	SEAT
B		1 PC	BACK REST
C		1 PC	BACK CUSHION

STEP 1:

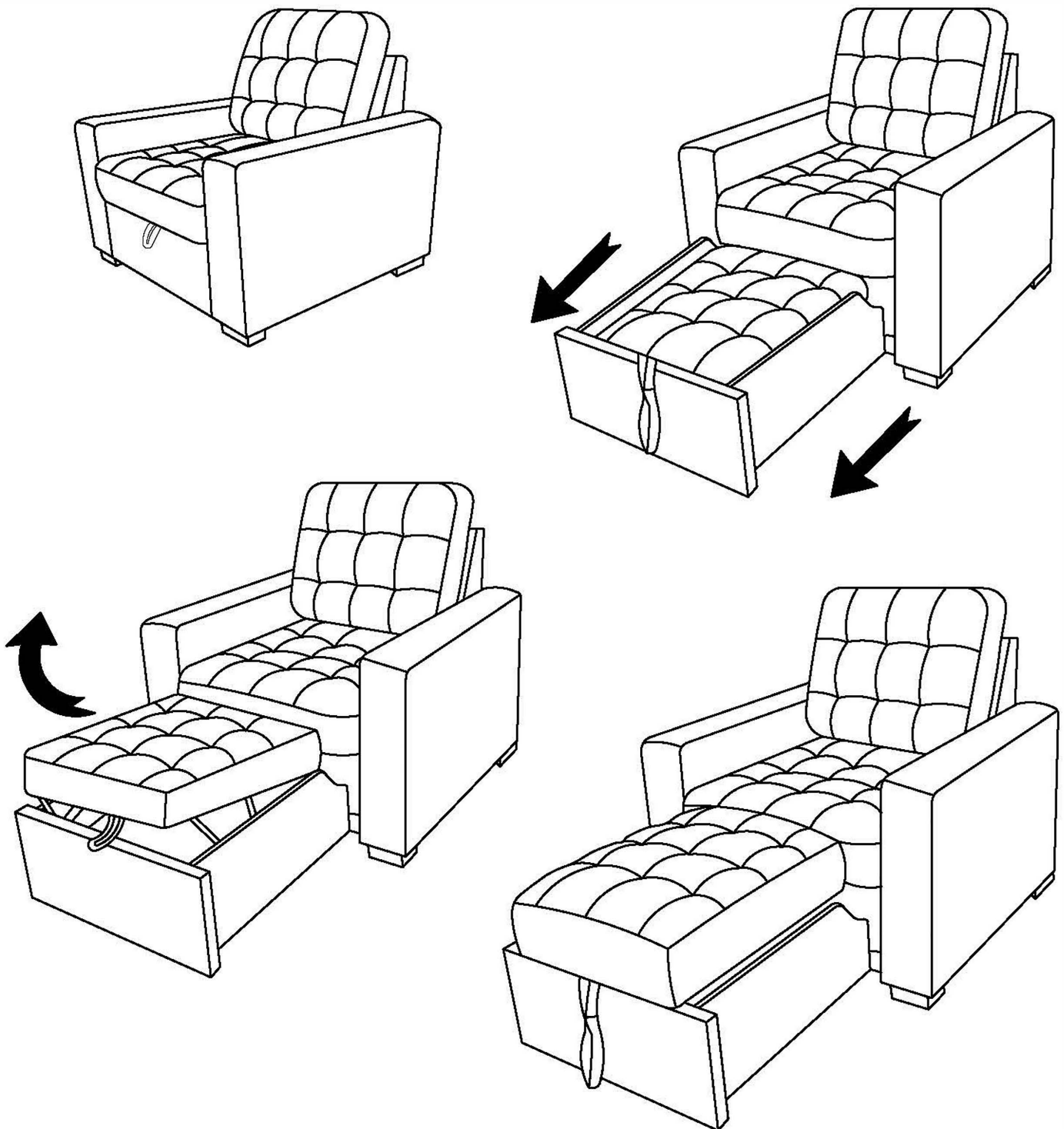


STEP 2:



ASSEMBLY INSTRUCTION
ITEM NO: 194S9916DG/GY-1
CHAIR WITH PULL OUT OTTOMAN

STEP 3: COMPLETED



Care Instruction for Textured Furniture:

In order to maintain the original appearance of your Textured Furniture, please follow below simple care procedures:

- Avoid exposing furniture directly to sunlight or heating and air conditioning outlets. Sunlight and or exposure to heating and air conditioning outlets will fade/damage Textured.
- Vacuum or wipe with a soft cloth to remove dust.
- Hardware may loosen over time. Periodically check to make sure all connection are tight, Re-tighten if necessary.



For items use on wooden floor, hard surfaces or carpets, it is recommended to Install protective pads under all legs and supports to avoid/prevent from damages/scratches and discoloration.