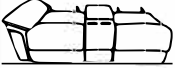






**ASSEMBLY INSTRUCTION**

**ITEM NO: 194S9913-2LCN**

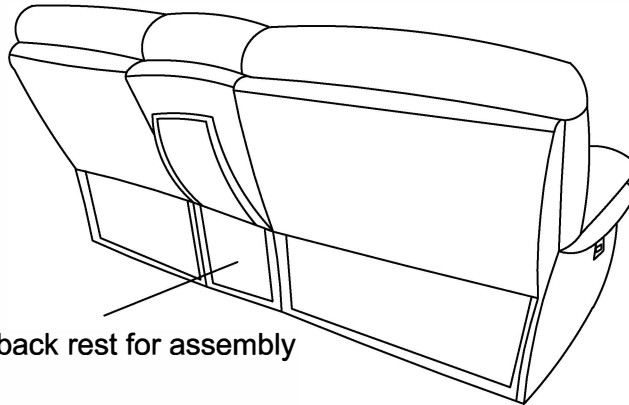
**LSF Double Reclining Love Seat with Center Console**

CONSOLE BACK REST IS STORED IN THE BOTTOM OF THE SEAT, PLESAE TAKE OUT FOR ASSEMBLY.

NO.	PARTS LIST	QTY	DESCRIPTION
A		1	SEAT
B		1	LSF BACK REST
C		1	RSF BACK REST
D		1	CONSOLE BACK REST

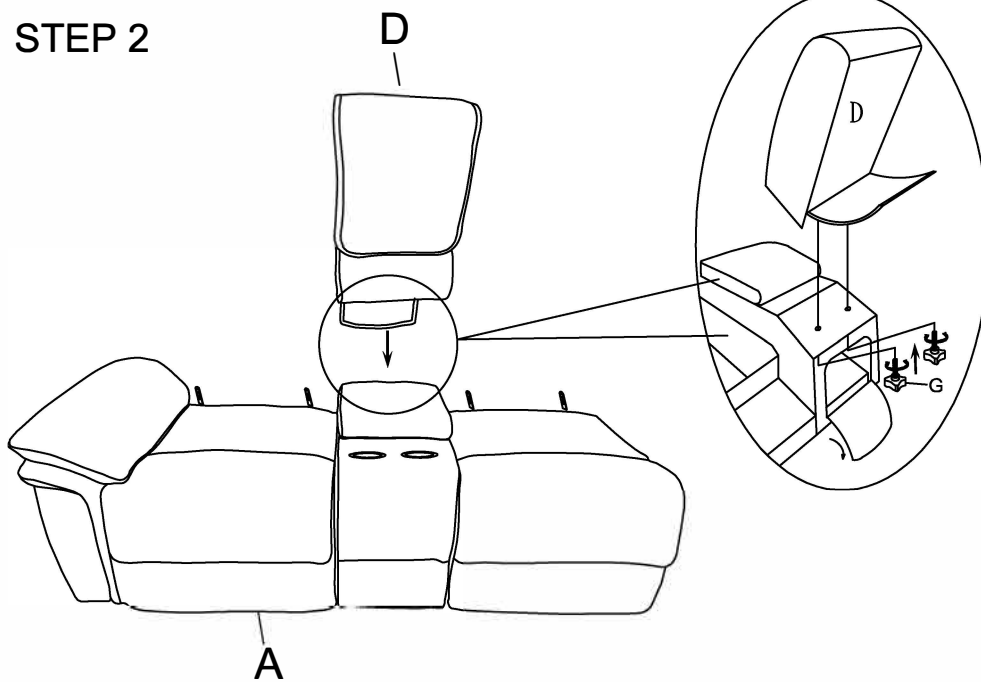
NO.	HARDWARE LIST	QTY	DESCRIPTION
G		2	BOLT

**STEP 1**



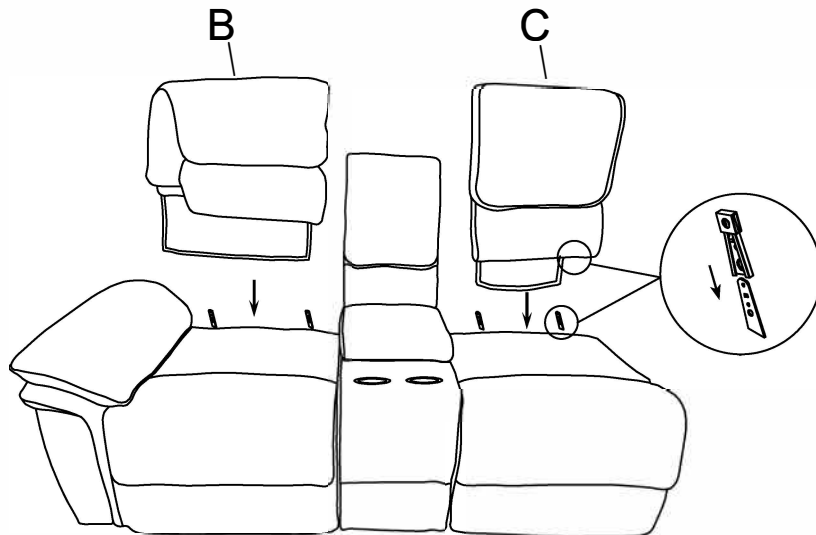
Take out Console back rest for assembly

**STEP 2**

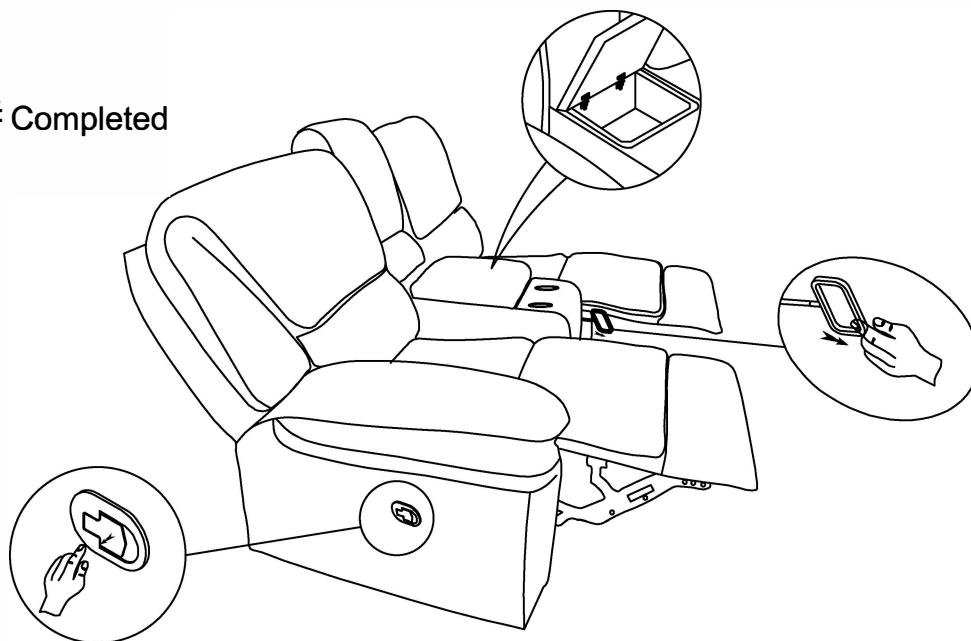


**ASSEMBLY INSTRUCTION**  
**ITEM NO: 194S9913-2LCN**  
**LSF Double Reclining Love Seat with Center Console**

**STEP 3**



**Step 4 # Completed**





**CARE INTRUCTION POLISHED MICROFIBER FURNITURE**

In order to maintain the original appearance of your polished microfiber furniture, please follow below simple care procedures.

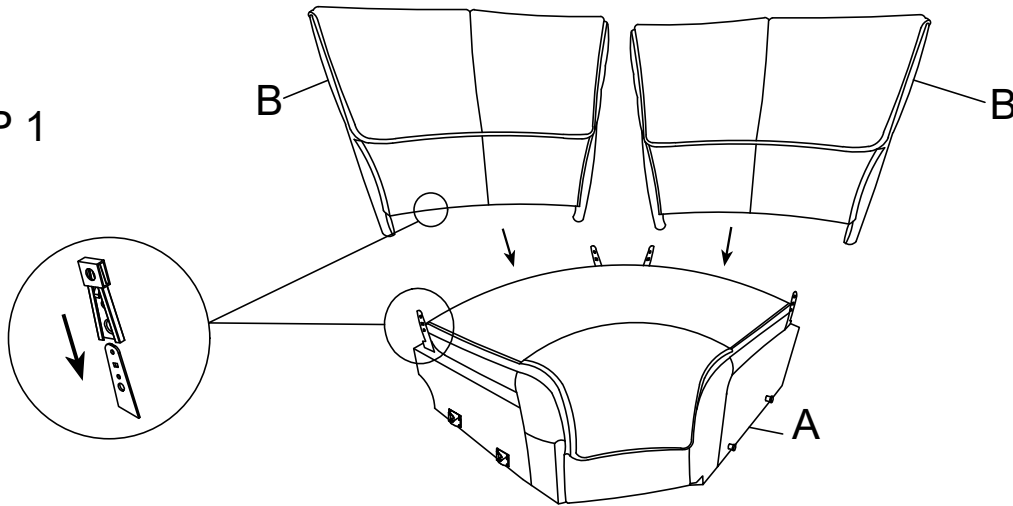
°Avoid exposing furniture directly to sunlight or heating and air conditioning outlets. Exposure to sunlight or heating and air conditioning outlets will fade/damage polished microfiber .

°Wipe gently with a damp soft cloth to remove dust , dirt and any grime build up.

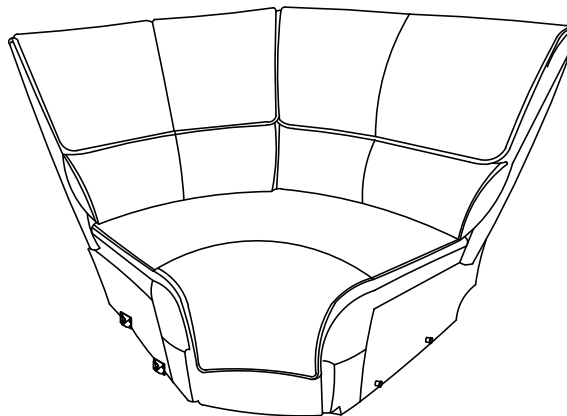
**ASSEMBLY INSTRUCTION**  
**ITEM NO: 194S9913-CR**  
**Corner Seat**

NO.	PARTS LIST	QTY	DESCRIPTION
A		1	SEAT
B		2	BACK REST

**STEP 1**



**STEP 2 #**  
**COMPLETED**



**CARE INTRUCTION POLISHED MICROFIBER FURNITURE**

In order to maintain the original appearance of your polished microfiber furniture, please follow below simple care procedures.  
 °Avoid exposing furniture directly to sunlight or heating and air conditioning outlets. Exposure to sunlight or heating and air conditioning outlets will fade/damage polished microfiber .  
 °Wipe gently with a damp soft cloth to remove dust , dirt and any grime build up.

# ASSEMBLY INSTRUCTION

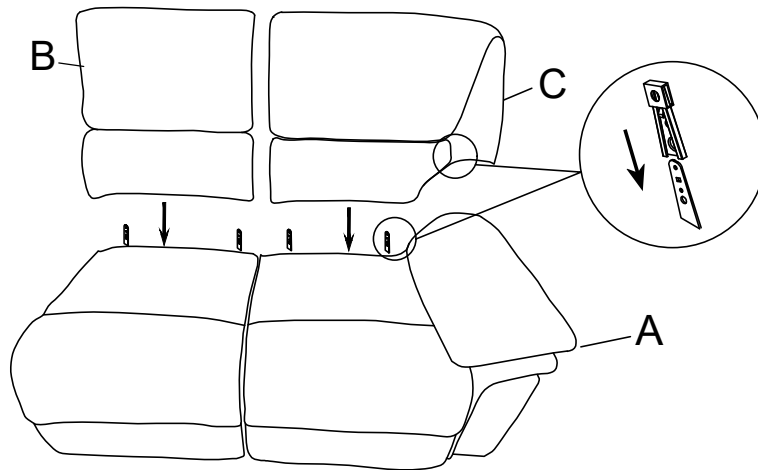
**ITEM NO: 194S9913-2R**

**RSF Reclining Love Seat**

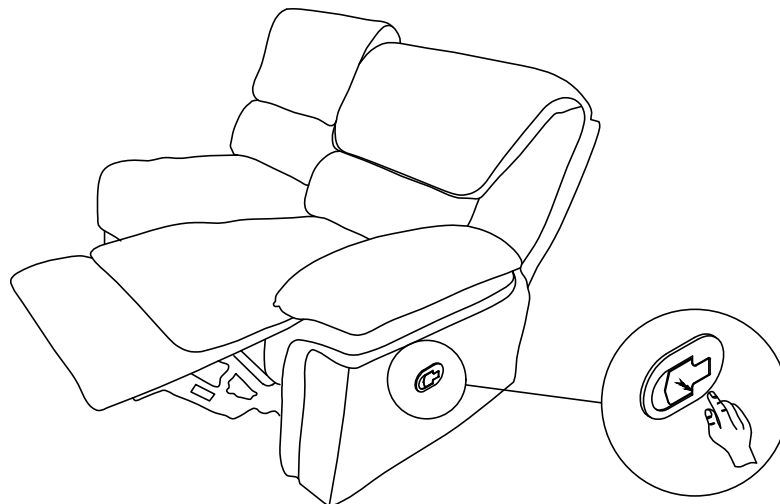
NO.	PARTS LIST	QTY	DESCRIPTION
A		1	SEAT
B		1	LSF BACK REST

NO.	PARTS LIST	QTY	DESCRIPTION
C		1	RSF BACK REST

**STEP 1**



**STEP 2 Completed**



### CARE INTRUCTION POLISHED MICROFIBER FURNITURE

In order to maintain the original appearance of your polished microfiber furniture, please follow below simple care procedures.

°Avoid exposing furniture directly to sunlight or heating and air conditioning outlets. Exposure to sunlight or heating and air conditioning outlets will fade/damage polished microfiber .

°Wipe gently with a damp soft cloth to remove dust , dirt and any grime build up.