


ASSEMBLY INSTRUCTIONS
ITEM NO: 194S9622LG-3CL#



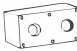
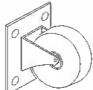


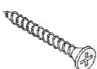
(1/2) Click Clack Sofa Arms

(2/2) Click Clack Sofa Armless sofa base and pull-out bed

 Legs and hardware are stored in the box, please take out for assembly.

NOTE: Do not use power tools for assembly. Power tools increase the risk of over tightening which lead to splitting or cracking the wood.

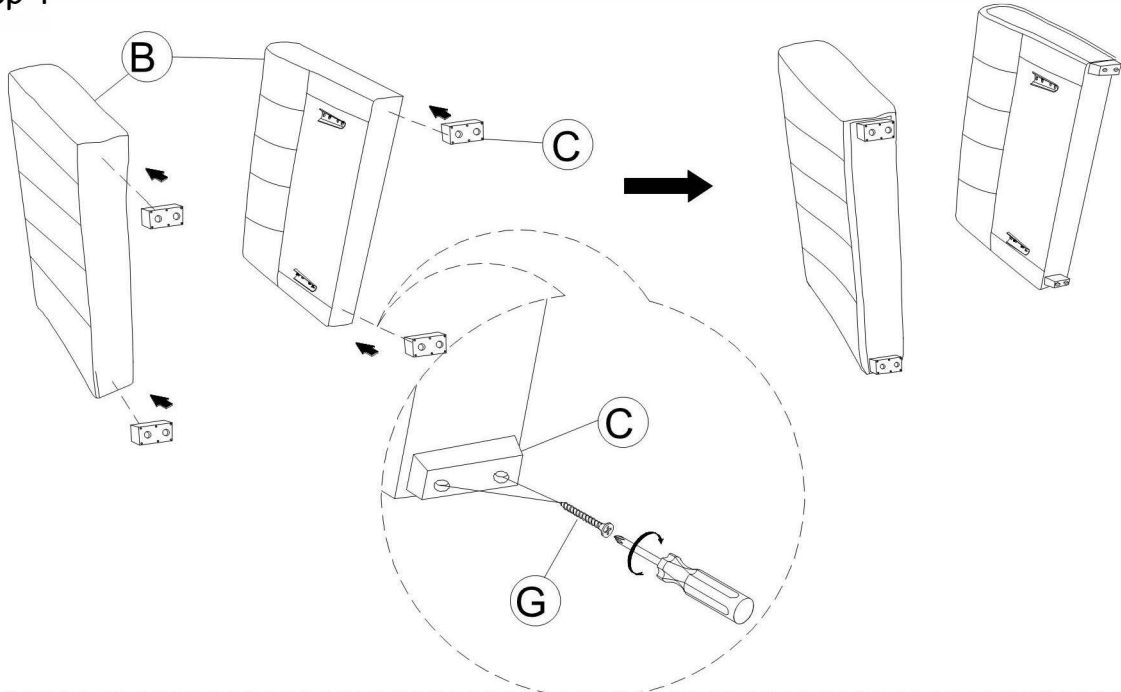
SOFA COMPONENT LIST

NO	DRAWING	QTY	DESCTIPTION
A		1PC	SOFA BASE
B		2PCS	ARMREST
C		4PCS	PLASTIC LEG
D		4PCS	WHEEL
E		4PCS	ROUND PLASTIC LEG
F		16PCS	SCREW #4*25MM
G		12PCS	SCREW #4*45MM

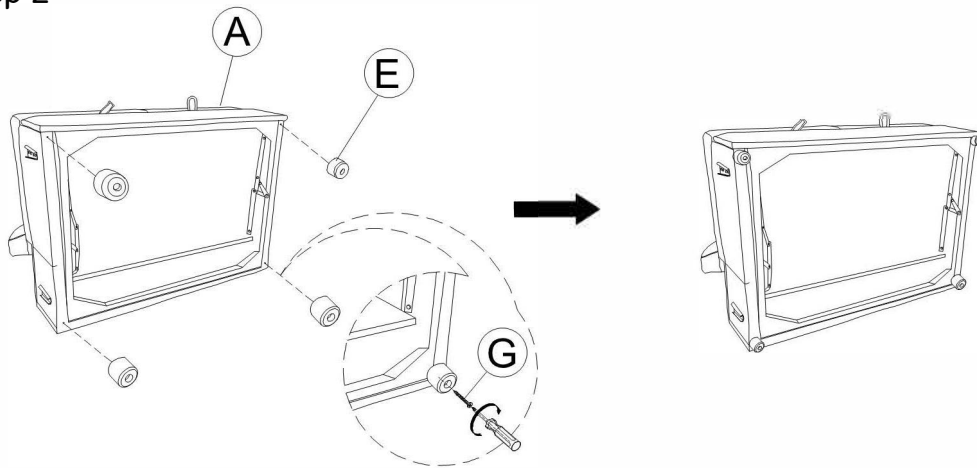
ASSEMBLY INSTRUCTIONS

ITEM NO: 194S9622LG-3CL#

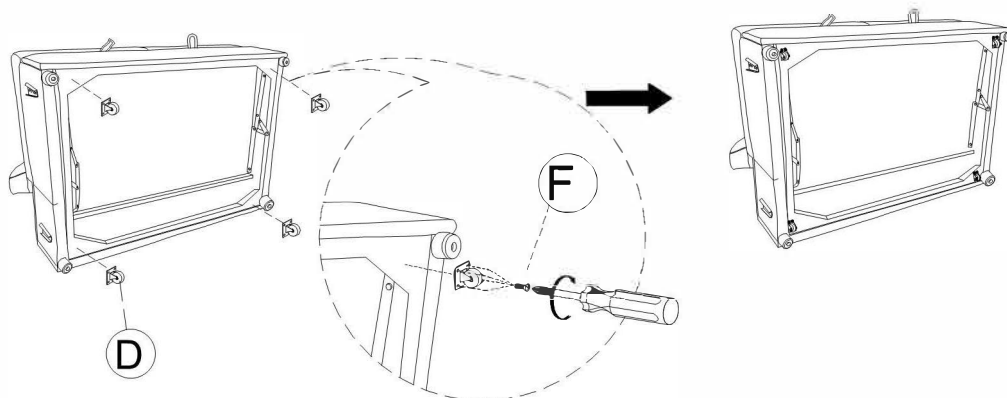
Step 1



Step 2



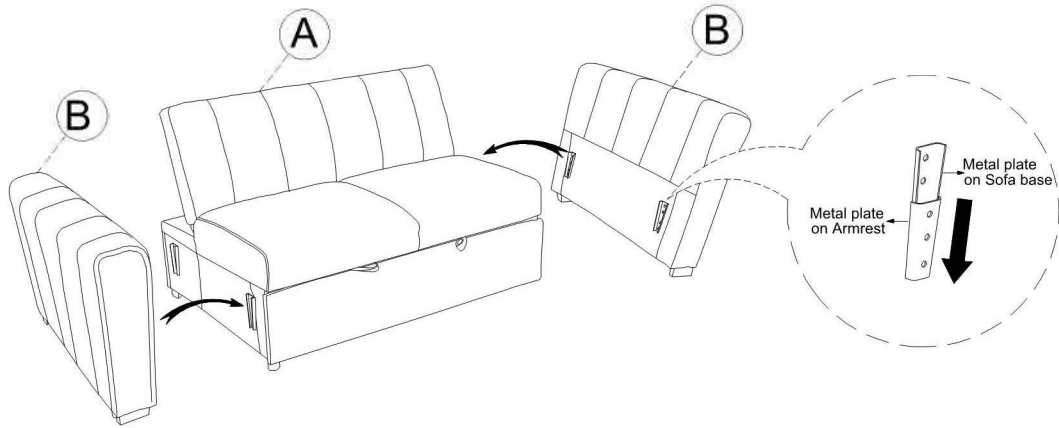
Step 3



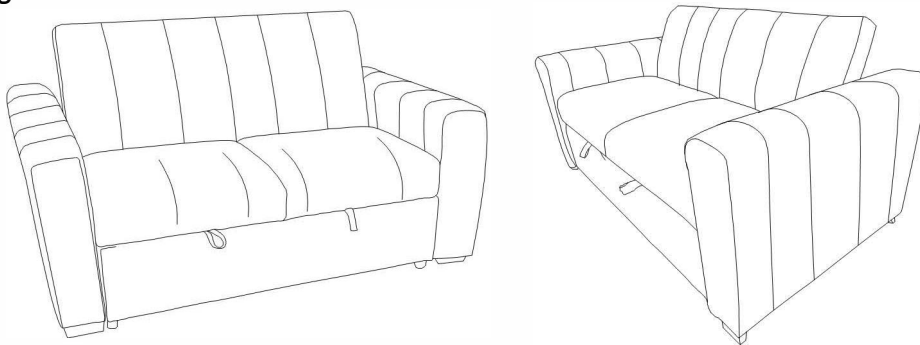
ASSEMBLY INSTRUCTIONS

ITEM NO: 194S9622LG-3CL#

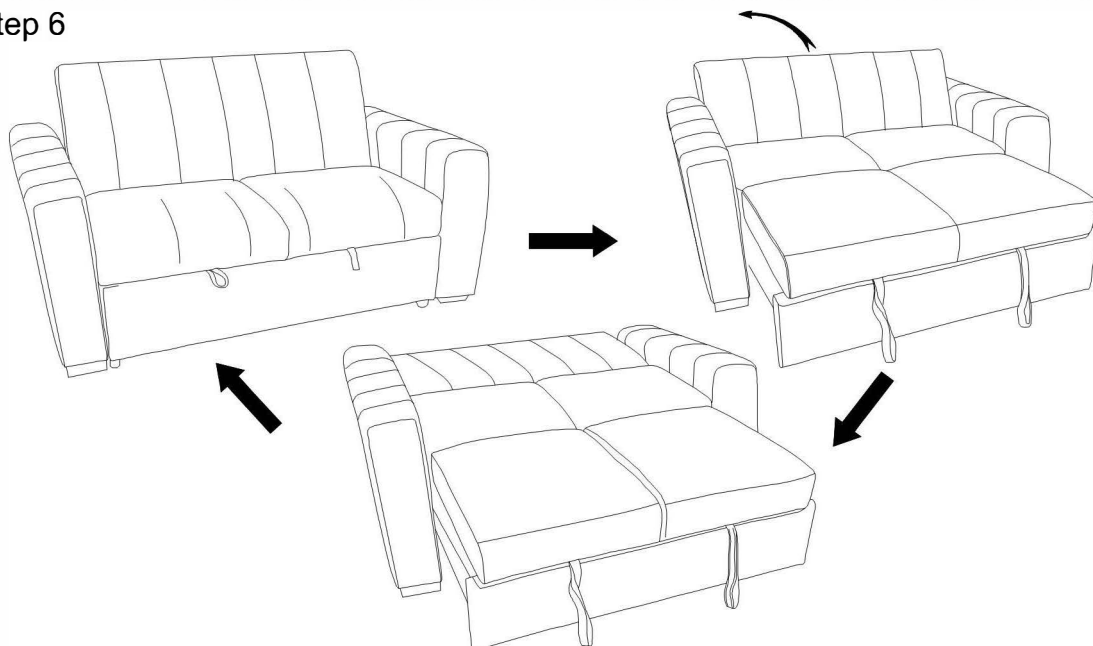
Step 4



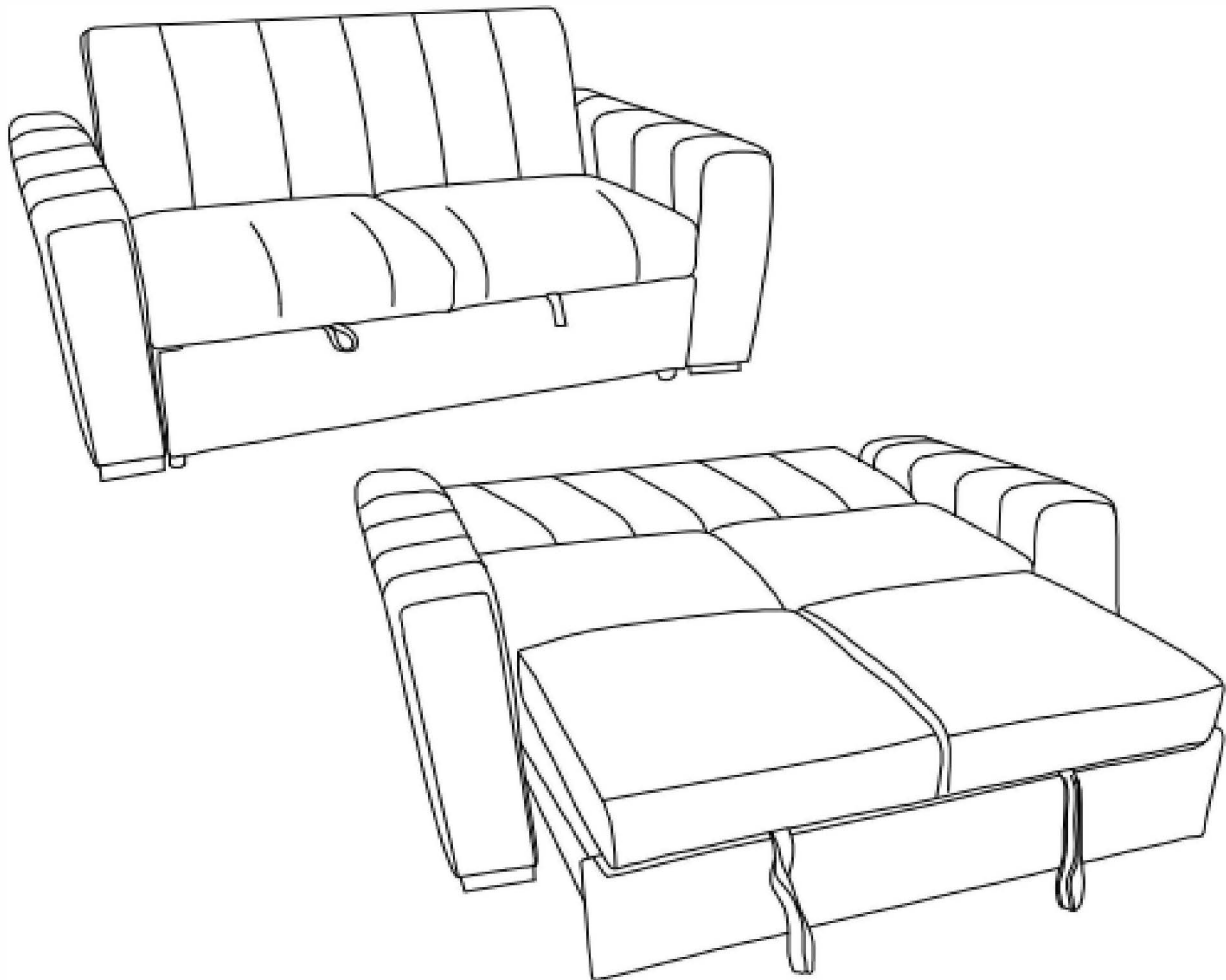
Step 5



Step 6




ASSEMBLY INSTRUCTIONS
ITEM NO: 194S9622LG-3CL#



CARE INSTRUCTIONS FOR TEXTURED UPHOLSTERY FURNITURE :

In order to maintain the original appearance of your textured furniture, please follow below care procedures:

- Avoid exposing furniture directly to sunlight or heating and air conditioning outlets. Sunlight and / or exposure to heating and air conditioning outlets will fade/damage textured. Do not place your upholstered furniture too close to windows, radiators, or vents, and be sure to use window treatments to block the sun's rays.
- Vacuum or wipe with a soft cloth regularly to remove dust.
- Hardware may loosen over time. Periodically check to make sure all connection are tight, Re-tighten if necessary.

 For items use on wooden floor, hard surfaces or carpets, it is recommended to install protective pads under all legs and supports to avoid/prevent from damages/scratches and discoloration.