

# Assembly Instruction

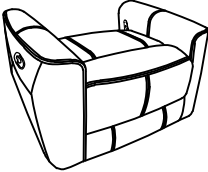
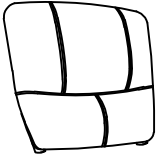
ITEM NO: 194S9602GY-1

Rocker Reclining Chair

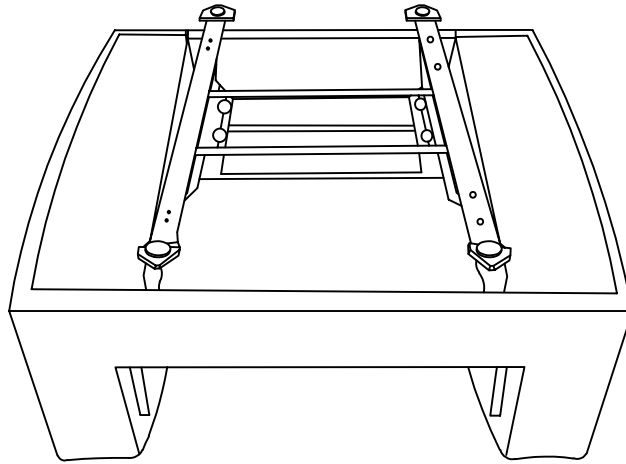


Note: Do not use power tools for assembly. Power tools increase the risk of over tightening which lead to splitting or cracking the wood.

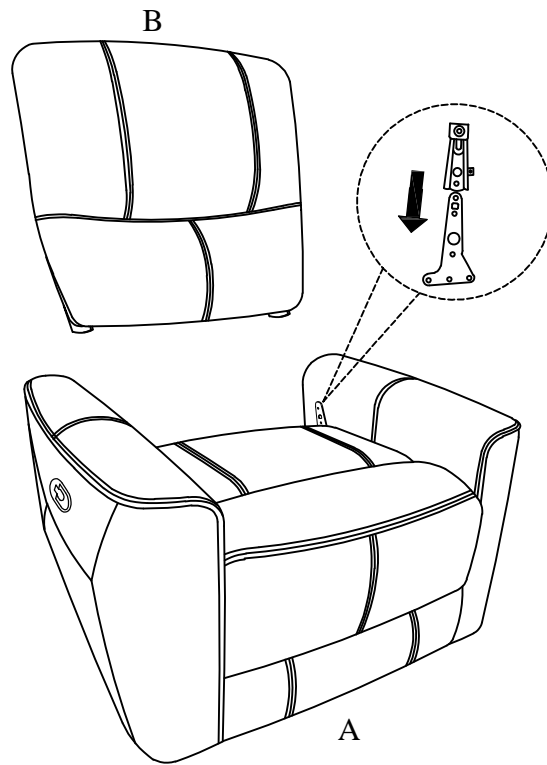
## Component list

| No       | Drawing   | Qty      | Description      |
|----------|---|----------|------------------|
| <b>A</b> |   | <b>1</b> | <b>SEAT</b>      |
| <b>B</b> |  | <b>1</b> | <b>BACK REST</b> |

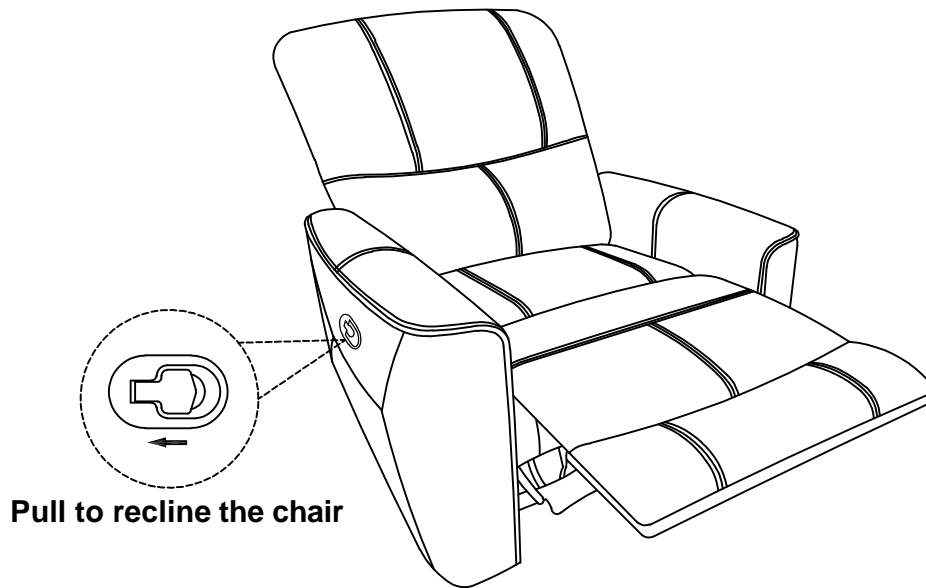
Step #1



Step #2



### Step #3



## Care Instruction for Polished microfiber Furniture:

In order to maintain the original appearance of your Polished microfiber Furniture, please follow below simple care procedures:

- Avoid exposing furniture directly to sunlight or heating and air conditioning outlets. Sunlight and or exposure to heating and air conditioning outlets will fade/damage Polished microfiber fabric.
- Vacuum or wipe with a soft cloth to remove dust.
- Hardware may loosen over time. Periodically check to make sure all connection are tight, Re-tighten if necessary.



For items use on wooden floor, hard surfaces or carpets, it is recommended to Install protective pads under all legs and supports to avoid/prevent from damages/scratches and discoloration.