

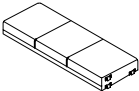




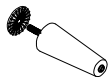



Assembly Instruction

ITEM NO: 194S9489BRW/GRY-3

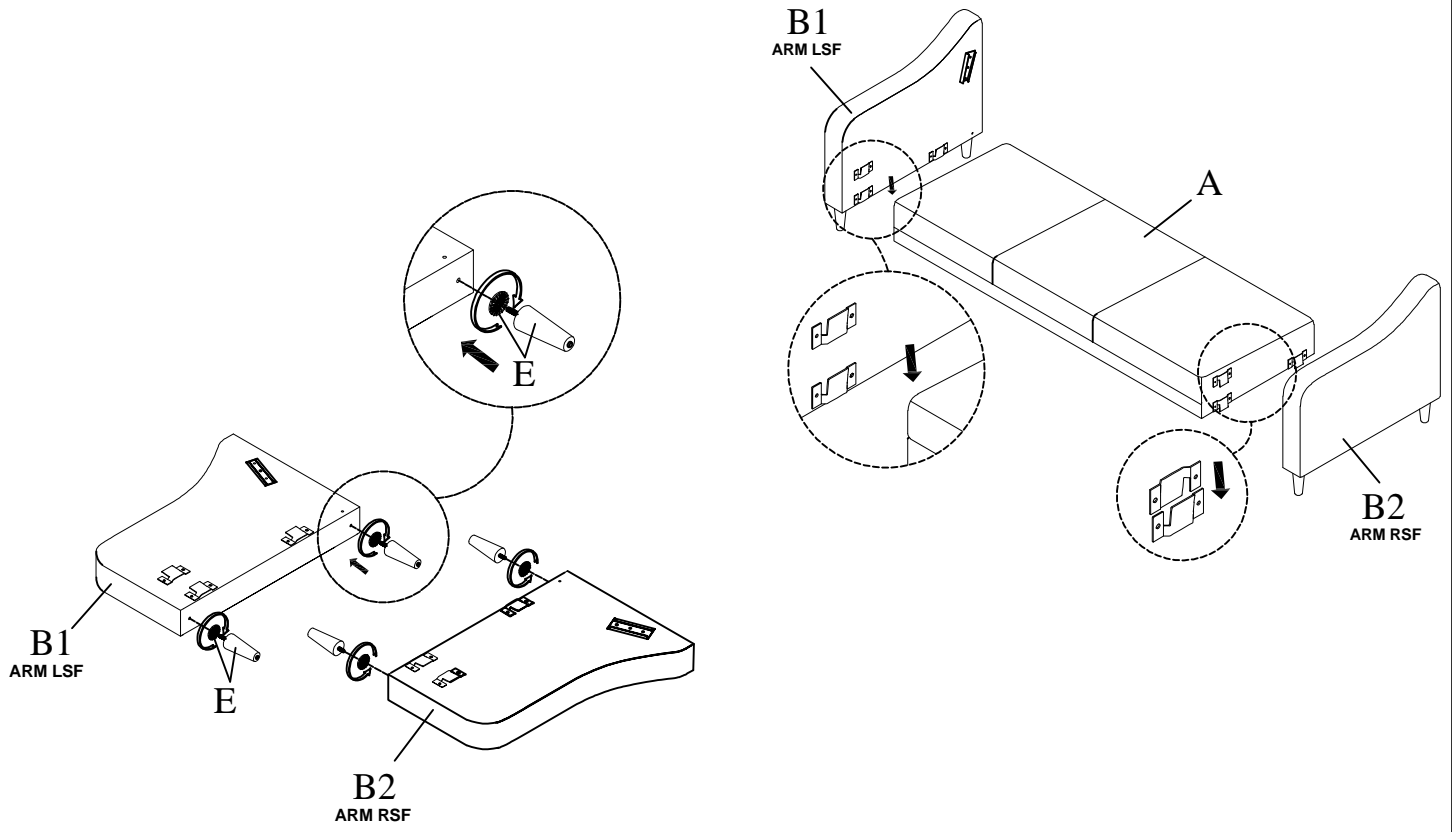
Sofa

Note: Do not use power tools for assembly. Power tools increase the risk of over tightening which lead to splitting or cracking the wood.

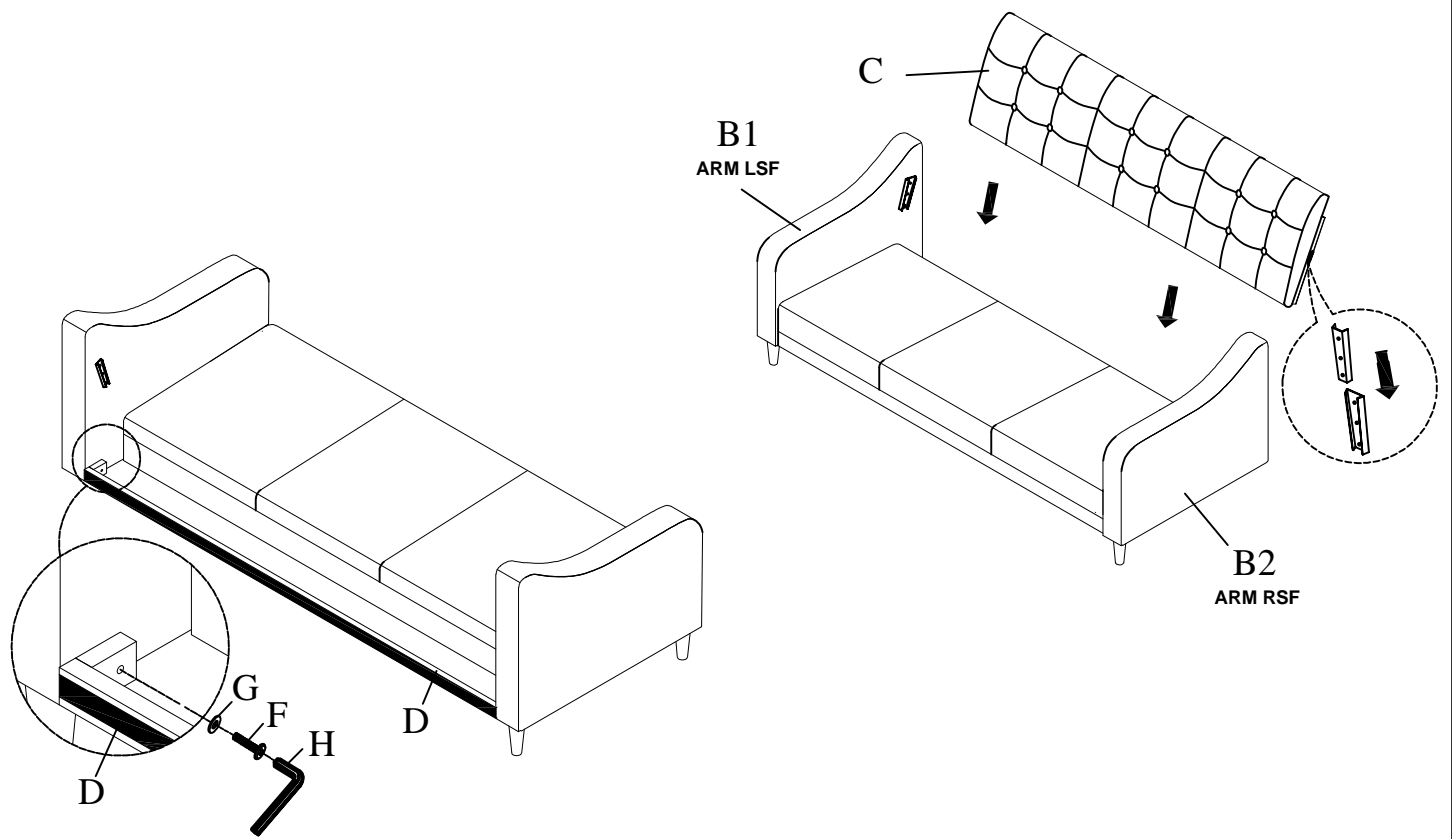
Component list

| No | Drawing | Qty | Description |
|-----------|---|----------|---|
| A |  | 1 | SEAT |
| B1 |  | 1 | LSF ARM 1PC |
| B2 |  | 1 | RSF ARM 1PC |
| C |  | 1 | BACK REST |
| D |  | 1 | SUPPORT BAR |
| E |  | 4 | WOODEN LEG/W PLASTIC WASHER |
| F |  | 2 | BOLT (#1/4"*35mm) |
| G |  | 2 | FLAT WASHER (#1/4"*16*1.5mm) |
| H |  | 1 | ALLEN KEY (M4*59mm) |

Step #1

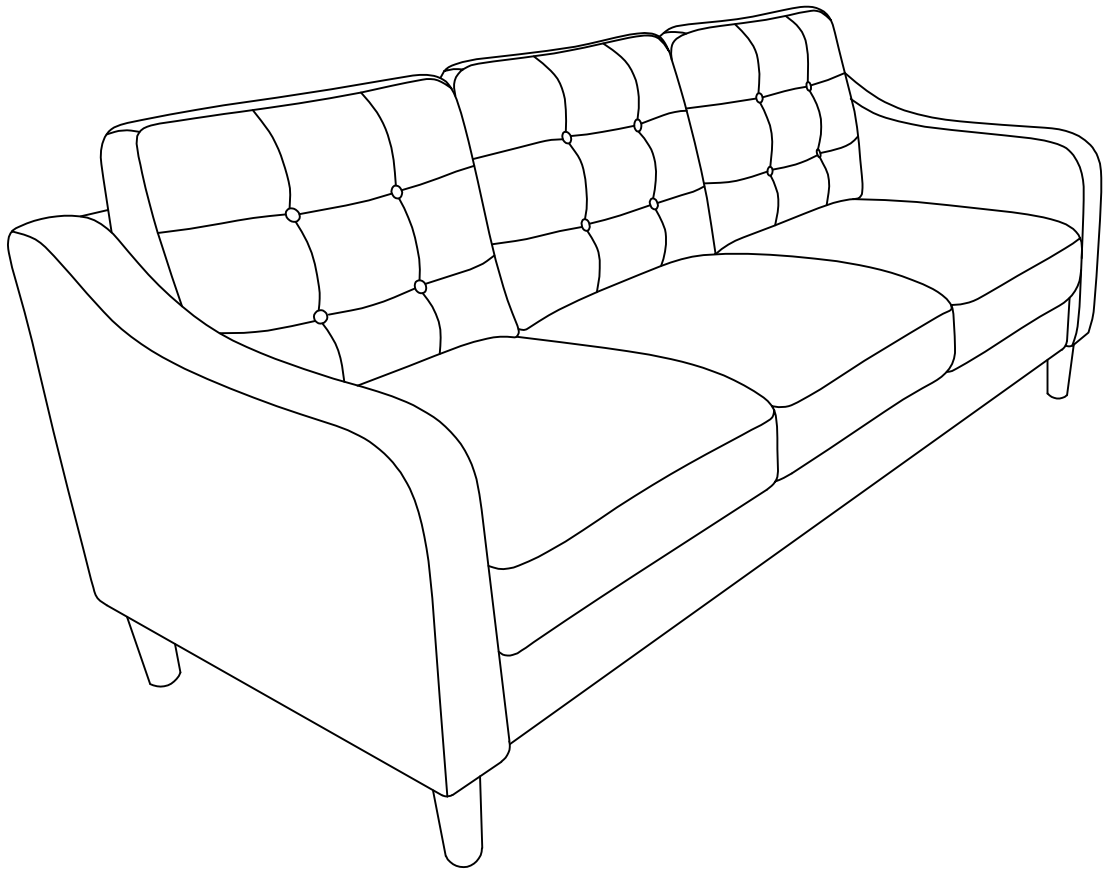


Step #2



Step #3

Assembly completed.



Care Instruction for fabric Furniture:

In order to maintain the original appearance of your fabric Furniture, please follow below simple care procedures:

- Avoid exposing furniture directly to sunlight or heating and air conditioning outlets. Sunlight and/or exposure to heating and air conditioning outlets will fade/damage fabric. Do not place your fabric furniture too close to windows, radiators, or vents, and be sure to use windows, radiators, or vents.
- Vacuum or wipe with a soft cloth to remove dust.

Hardware may loosen over time. Periodically check to make sure all connection are tight, Re-tighten if necessary.



For items use on wooden floor, hard surfaces or carpets, it is recommended to Install protective pads under all legs and supports to avoid/prevent from damages/scratches and discoloration.