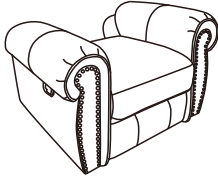
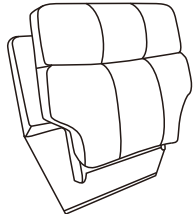


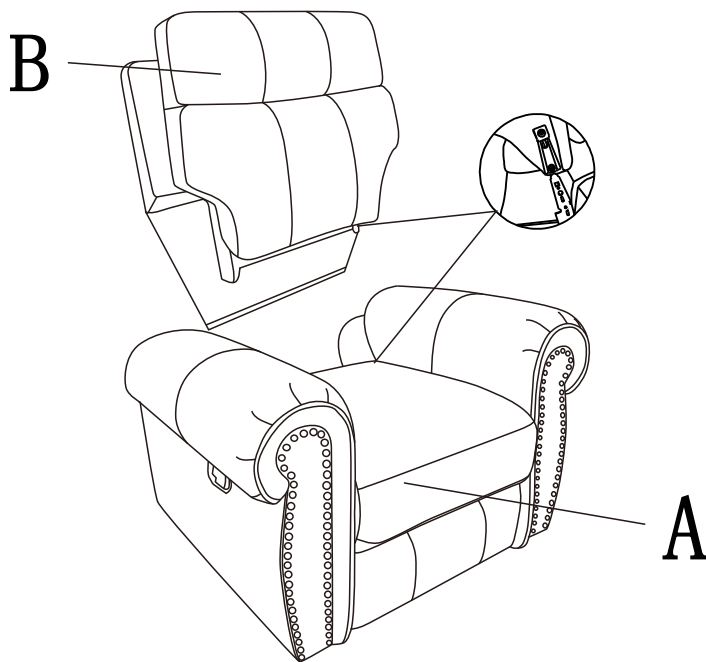
**ASSEMBLY INSTRUCTION  
ITEM NO:194S9488BR/GY-1  
GLIDER RECLINING CHAIR**

**NOTE:** Do not use power tools for assembly. Power tools increase the risk of over tightening which leads to splitting or cracking the wood.

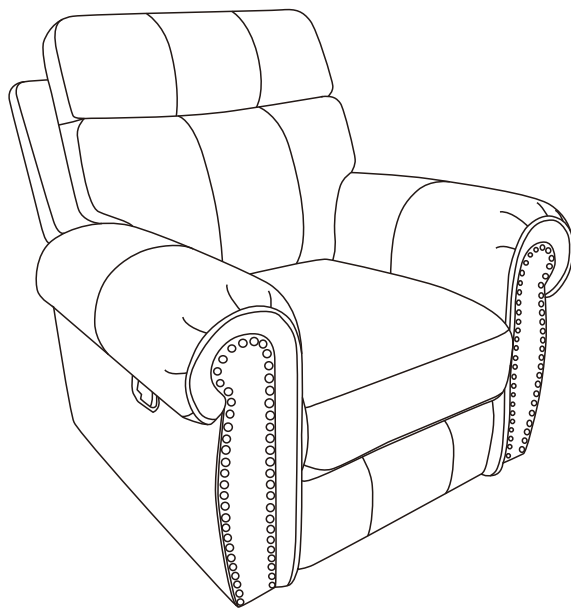
**COMPONENT LIST (CHAIR)**

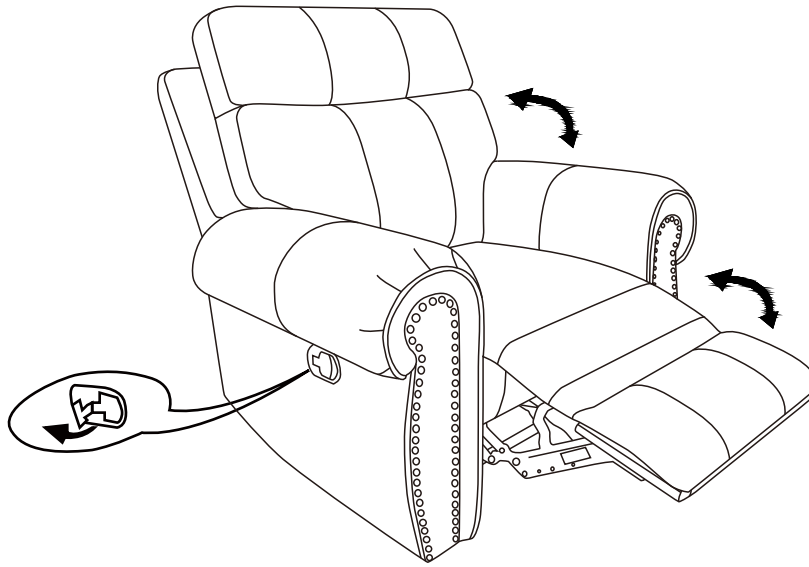
NO.	DRAWING	QTY	DESCRIPTION
A	 A line drawing of the chair seat, showing a rectangular cushion with rounded corners and a small tuft in the center. The seat is shown from a three-quarter perspective.	1	SEAT
B	 A line drawing of the chair back rest, showing a rectangular cushion with rounded corners and a small tuft in the center. The back rest is shown from a three-quarter perspective.	1	BACK REST

**STEP# 1**  
Attach Back Rest (B) to the Seat(A)



**STEP#2 Completed**





## Care Instruction on for Polished Microfiber Furniture.

In order to maintain the original appearance of your Polished Microfiber furniture, please follow below simple care procedures:

- Avoid exposing furniture directly to sunlight or heating and air conditioning outlets. Sunlight and/or exposure to heating and air conditioning outlets will fade/damage polished microfiber.
- Do not place your upholstered furniture too close to windows, radiators, or vents and be sure to use window, radiators, or vents.
- Vacuum or wipe with a soft brush to remove dust.

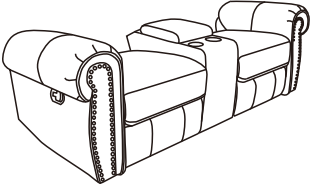
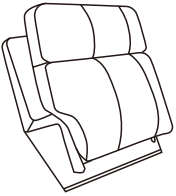

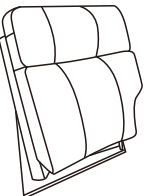


- For items used on wooden floor, hard surfaces or carpets, it is recommended to install protective pads
- under all legs supports to avoid/prevent from damages/ scratches discoloration.

**ASSEMBLY INSTRUCTION**  
**ITEM NO:194S9488BR/GY-2**  
**DOUBLE RECLINING LOVE SEAT WITH**  
**CENTER CONSOLE**

**NOTE:** Do not use power tools for assembly. Power tools increase the risk of over tightening which leads to splitting or cracking the wood.

**COMPONENT LIST (LOVE SEAT)**

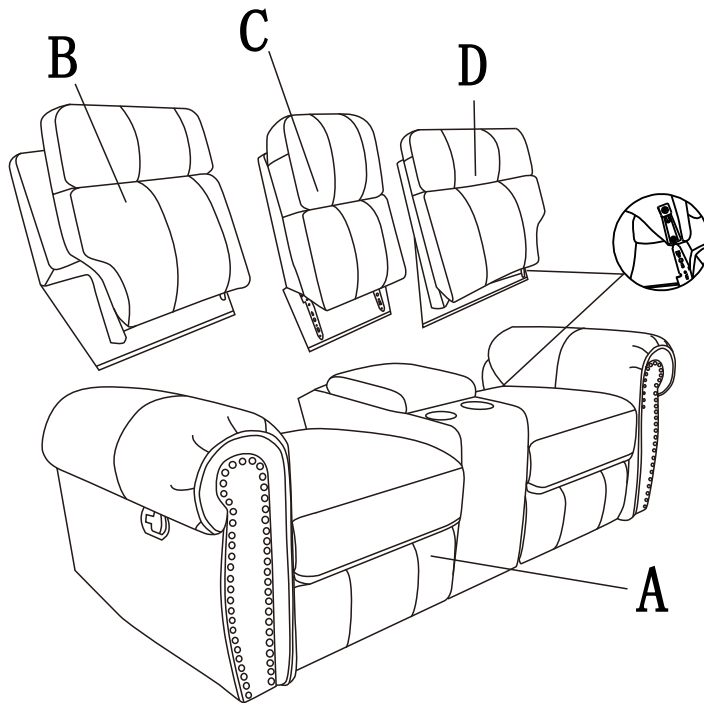
NO.	DRAWING	QTY	DESCRIPTION
A		1	SEAT
B		1	LSF BACK REST
C		1	CONSOLE BACK REST
D		1	RSF BACK REST

**STEP# 1**

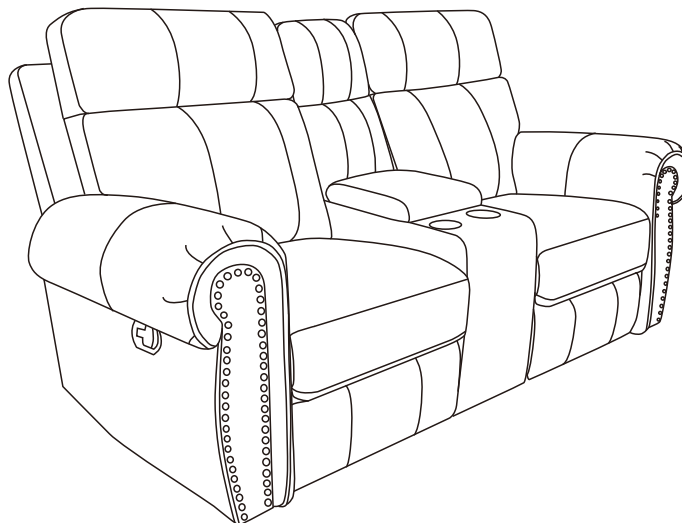
Attach LSF Back Rest(B) and RSF Back Rest(D) to the Seat (A).

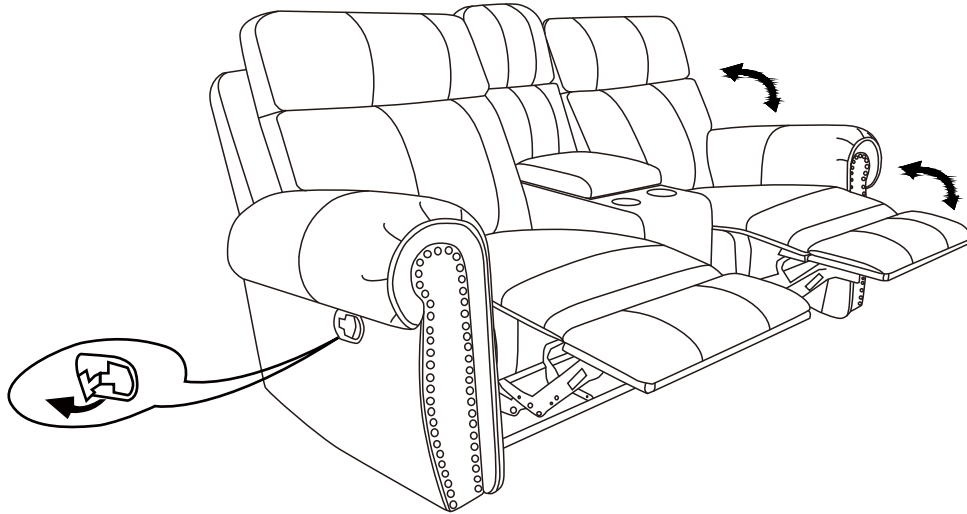
**STEP# 2**

Attach Console Back Rest (C) to the seat(A) .



**STEP#3** Completed





## Care Instruction for Polished Microfiber Furniture.

In order to maintain the original appearance of your Polished Microfiber furniture, please follow below simple care procedures:

- Avoid exposing furniture directly to sunlight or heating and air conditioning outlets. Sunlight and/or exposure to heating and air conditioning outlets will fade/damage polished microfiber.
- Do not place your upholstered furniture too close to windows, radiators, or vents and be sure to use window, radiators, or vents.
- Vacuum or wipe with a soft brush to remove dust.

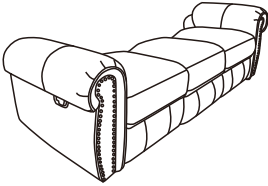
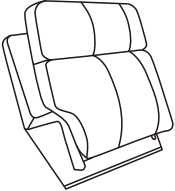
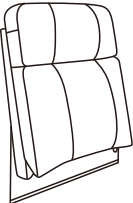
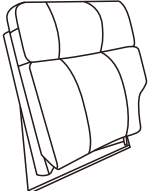


- For items used on wooden floor, hard surfaces or carpets, it is recommended to install protective pads
- under all legs supports to avoid/prevent from damages/scratches discoloration.

**ASSEMBLY INSTRUCTION**  
**ITEM NO: 194S9488BR/GY-3**  
**DOUBLE RECLINING SOFA**

**NOTE:** Do not use power tools for assembly. Power tools increase the risk of over tightening which leads to splitting or cracking the wood.

**COMPONENT LIST (SOFA)**

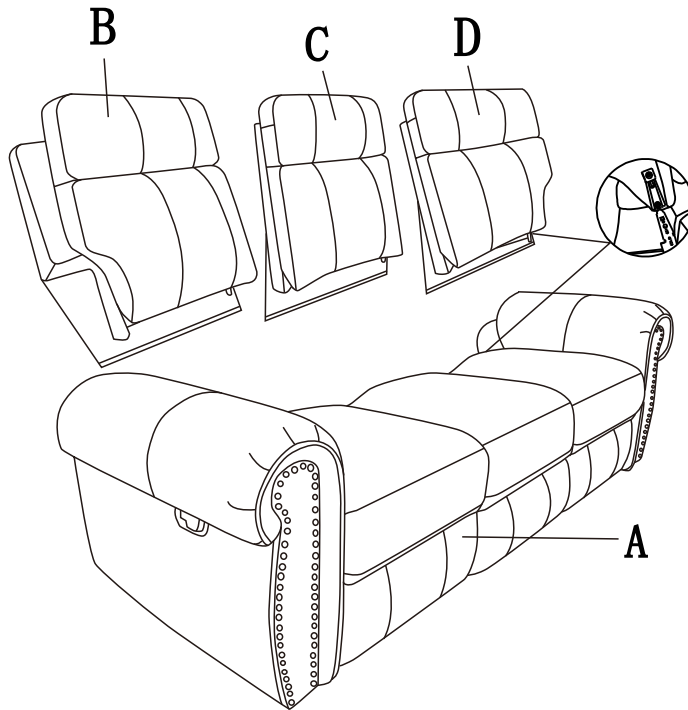
NO.	DRAWING	QTY	DESCRIPTION
A		1	SEAT
B		1	LSF BACK REST
C		1	MIDDLE BACK REST
D		1	RSF BACK REST

**STEP# 1**

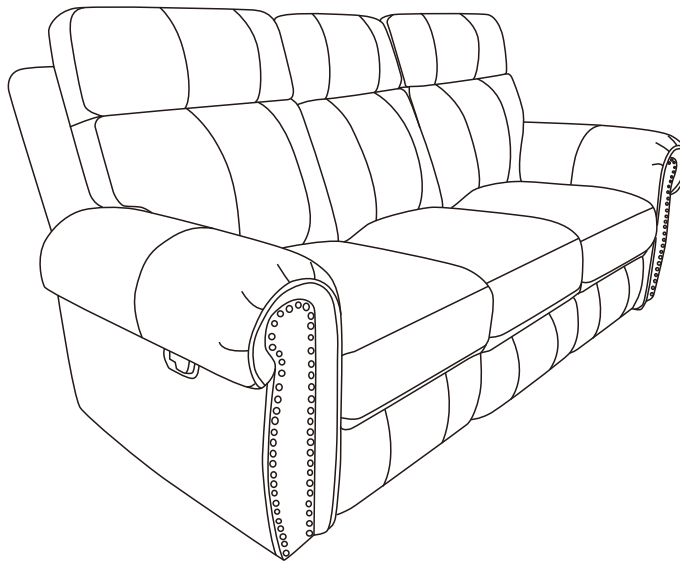
Attach LSF Back Rest(B) and RSF Back Rest(D) to the Seat (A).

**STEP# 2**

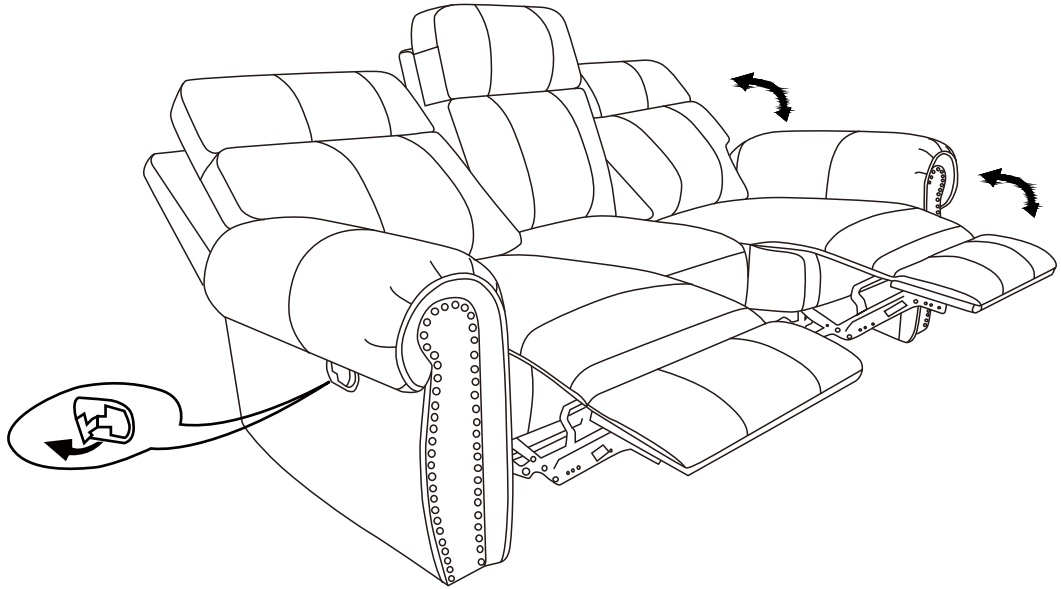
Attach Middle Back Rest (C) to the seat(A) .



**STEP#3 Completed**







## Care Instruction for Polished Microfiber Furniture.

In order to maintain the original appearance of your Polished Microfiber furniture, please follow below simple care procedures:

- Avoid exposing furniture directly to sunlight or heating and air conditioning outlets. Sunlight and/or exposure to heating and air conditioning outlets will fade/damage polished microfiber.
- Do not place your upholstered furniture too close to windows, radiators, or vents and be sure to use window, radiators, or vents.
- Vacuum or wipe with a soft brush to remove dust.



- For items used on wooden floor, hard surfaces or carpets, it is recommended to install protective pads.
- under all legs supports to avoid/prevent from damages/scratches discoloration.