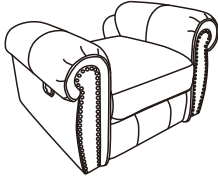
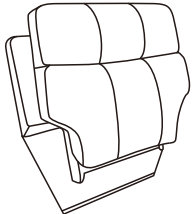


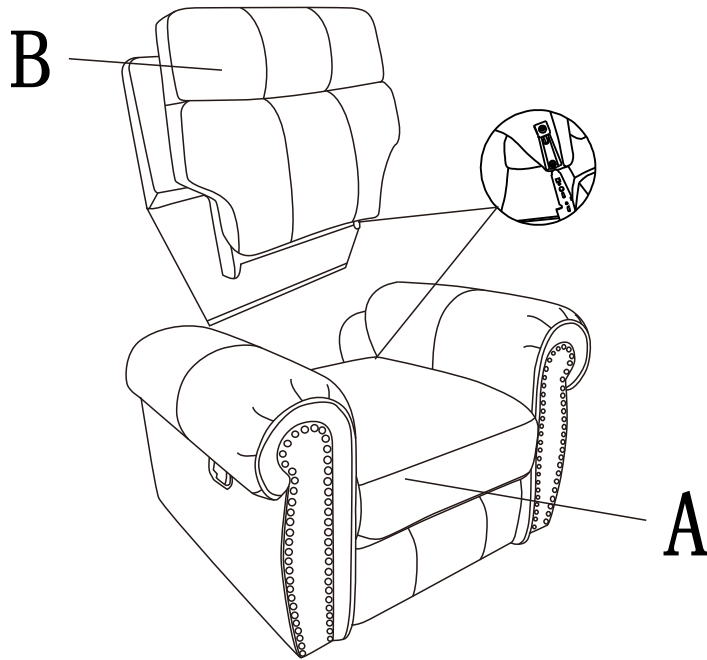
**ASSEMBLY INSTRUCTION**  
**ITEM NO:194S9488BR/GY-1**  
**GLIDER RECLINING CHAIR**

**NOTE:** Do not use power tools for assembly. Power tools increase the risk of over tightening which leads to splitting or cracking the wood.

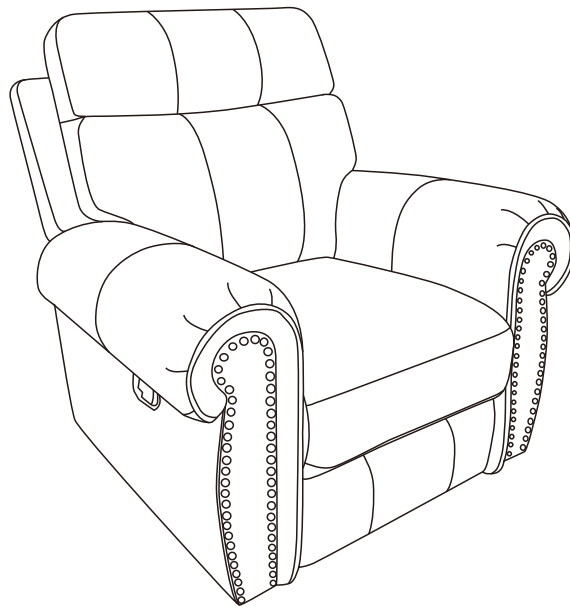
**COMPONENT LIST (CHAIR)**

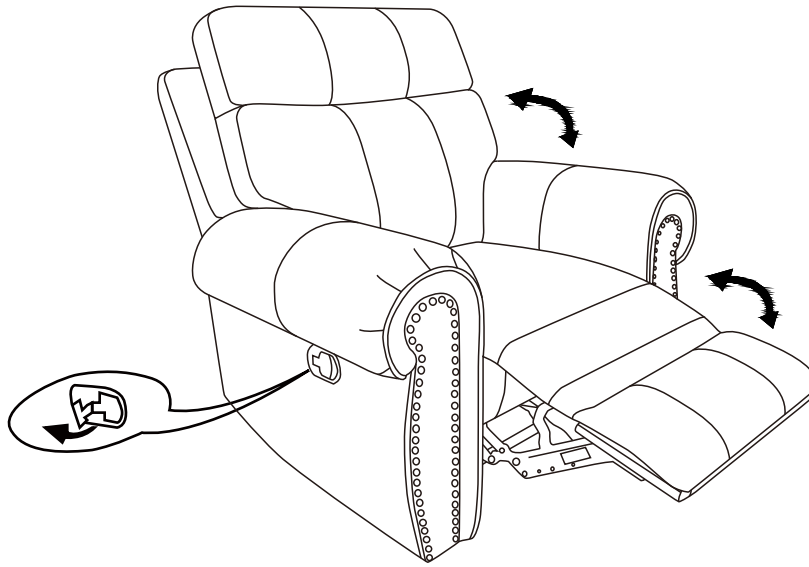
NO.	DRAWING	QTY	DESCRIPTION
A	 A line drawing of the chair seat, showing a rectangular cushion with rounded ends and a central seam.	1	SEAT
B	 A line drawing of the chair backrest, showing a rectangular cushion with rounded ends and a central seam, attached to a frame.	1	BACK REST

**STEP# 1**  
Attach Back Rest (B) to the Seat(A)



**STEP#2 Completed**





## Care Instruction on for Polished Microfiber Furniture.

In order to maintain the original appearance of your Polished Microfiber furniture, please follow below simple care procedures:

- Avoid exposing furniture directly to sunlight or heating and air conditioning outlets. Sunlight and/or exposure to heating and air conditioning outlets will fade/damage polished microfiber.
- Do not place your upholstered furniture too close to windows, radiators, or vents and be sure to use window, radiators, or vents.
- Vacuum or wipe with a soft brush to remove dust.



- For items used on wooden floor, hard surfaces or carpets, it is recommended to install protective pads
- under all legs supports to avoid/prevent from damages/ scratches discoloration.