

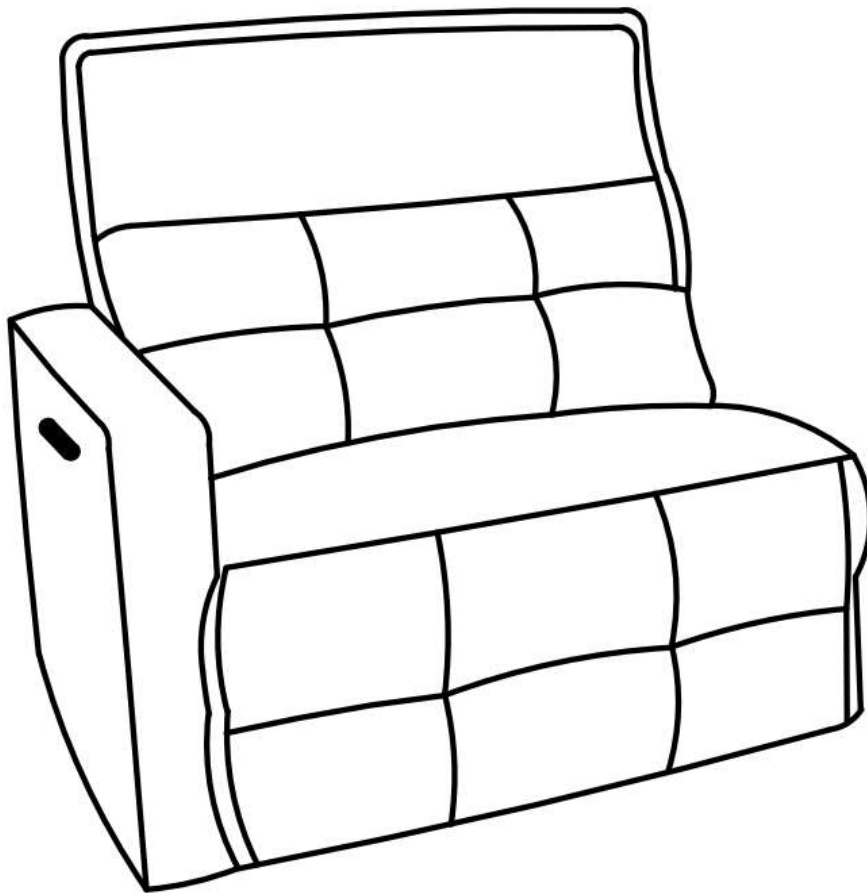
ITEM NO: 194S9444HMP#7SCPWH

ASSEMBLY INSTRUCTION




Power Left Side Reclining Chair with Power headrest



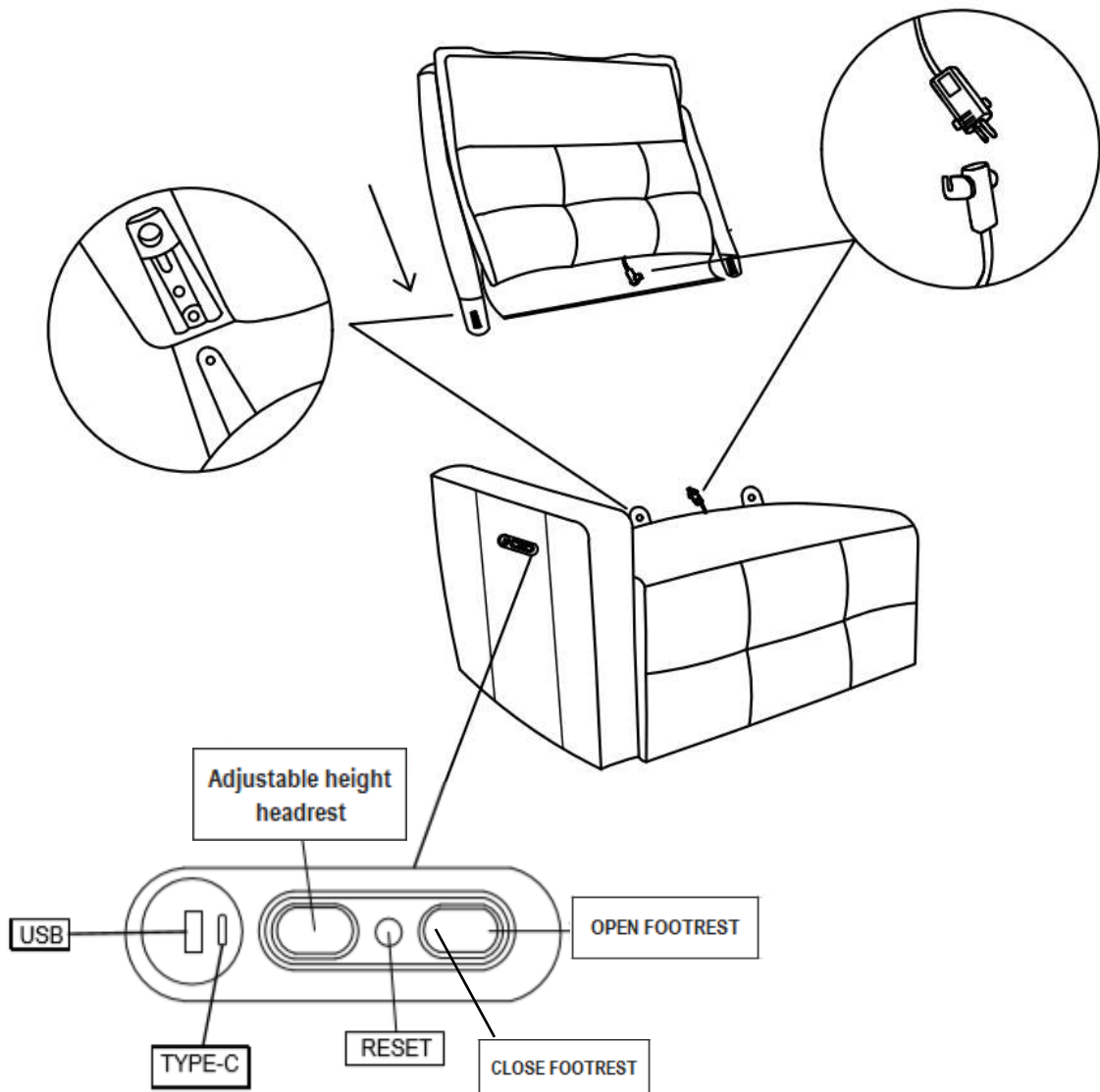
NOTE: Do not use power tools for assembly. The use of power tools increases the risk of over-tightening, which can result in wood splitting or cracking.



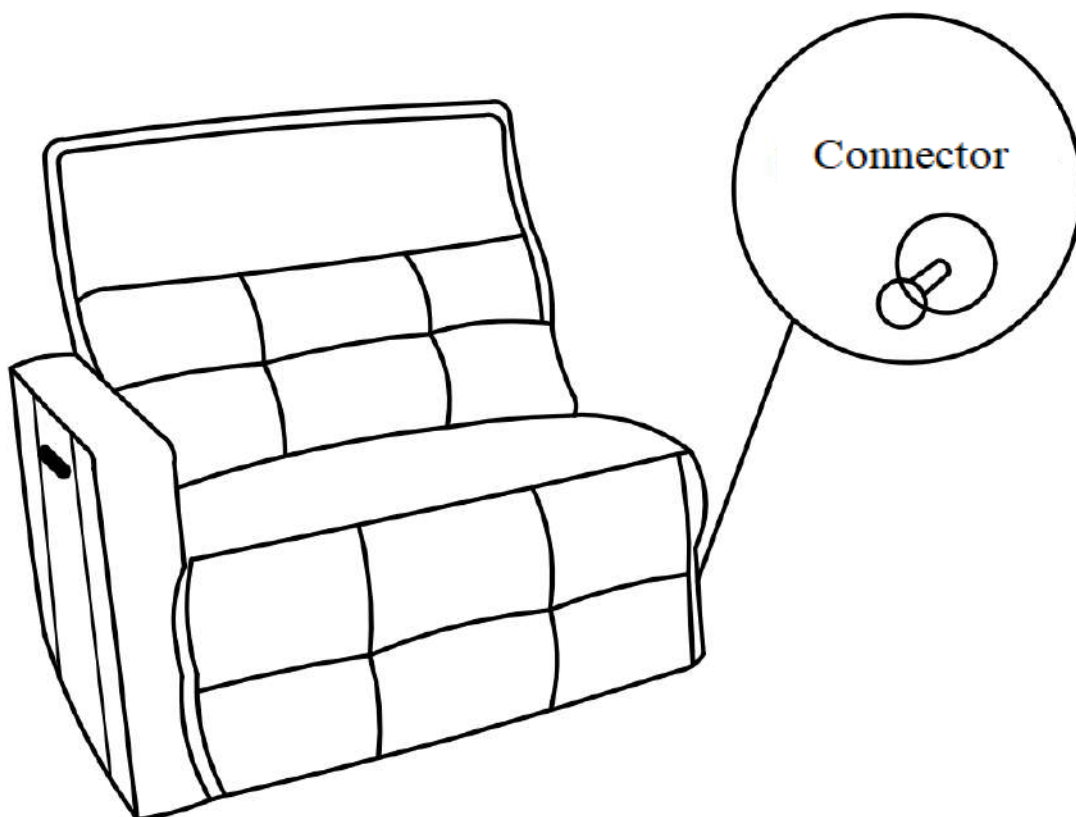
Component list

No	Drawing	Qty	Description
A		1	Seat
B		1	Back Rest
C		1	Adaptor/Plug

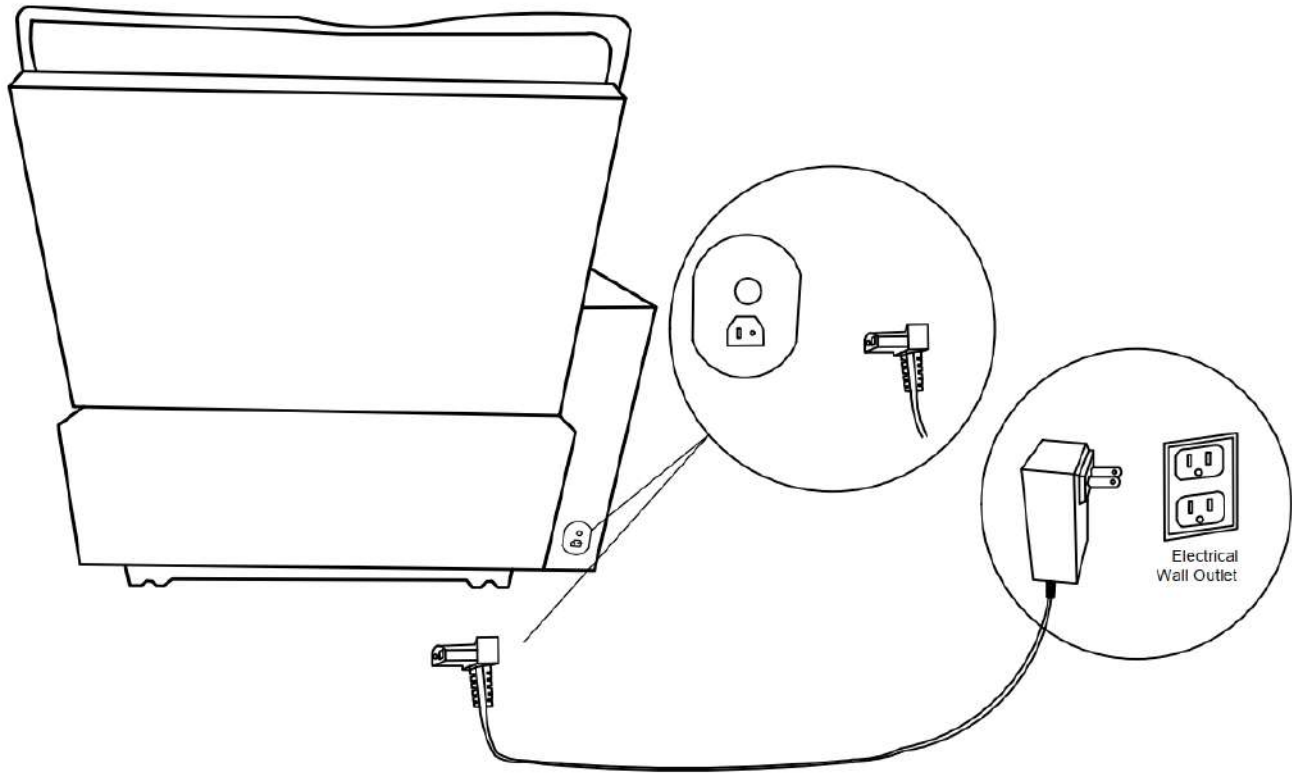
Step #1



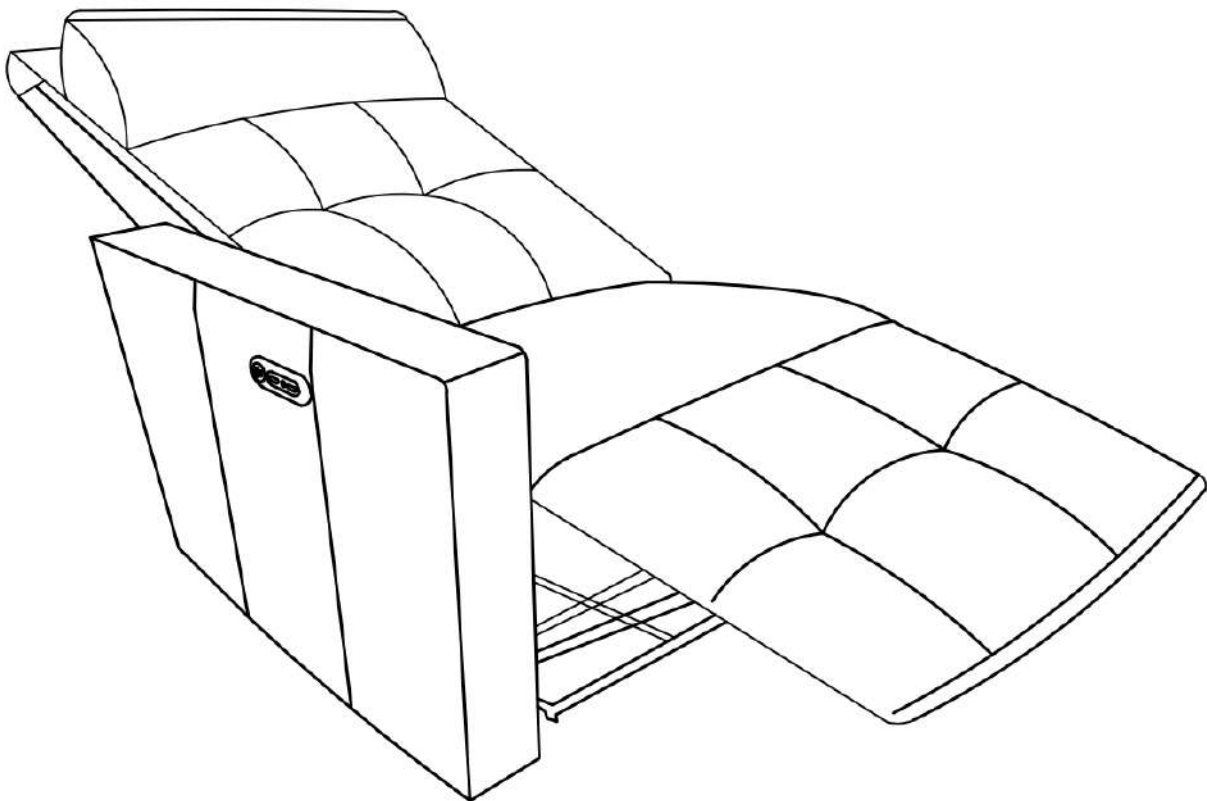
Step #2



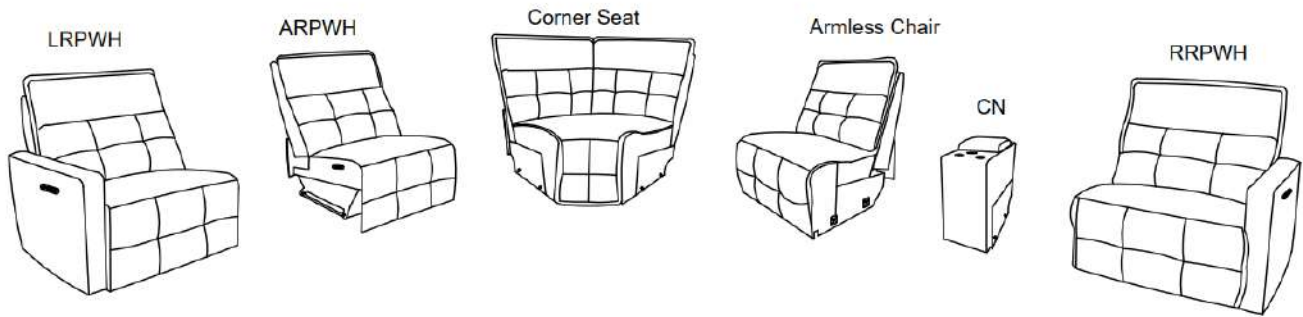
Step #3



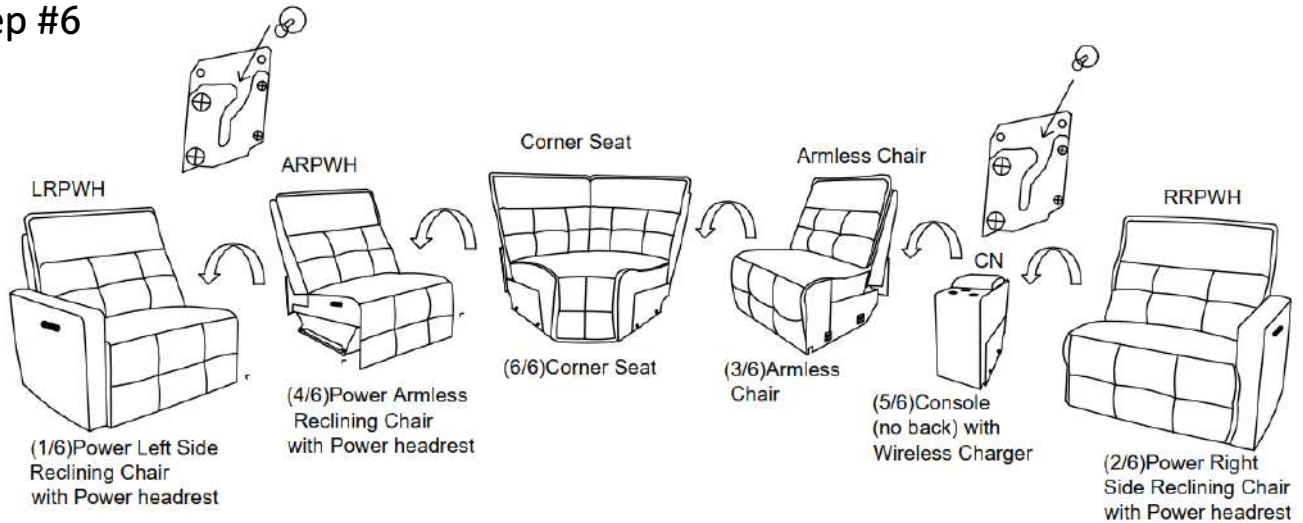
Step #4



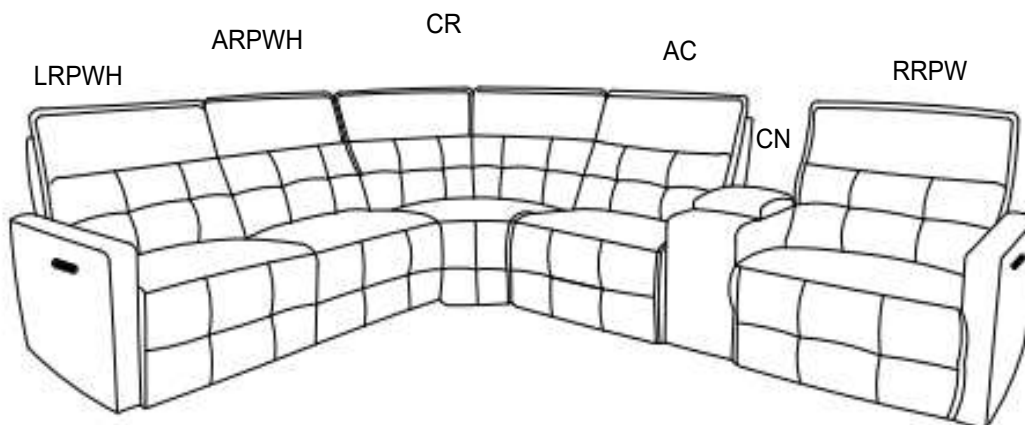
Step #5



Step #6



Step #7



Care Instruction for Textured Polyester Furniture:

In order to maintain the original appearance of your textured polyester Furniture, please follow below simple care procedures:

- Avoid exposing furniture directly to sunlight or heating and air conditioning outlets. Sunlight and or exposure to heating and air conditioning outlets will fade/damage textured polyester.
- Vacuum or wipe with a soft cloth to remove dust.
- Hardware may loosen over time. Periodically check to make sure all connection are tight, Re-tighten if necessary.



For items use on wooden floor, hard surfaces or carpets, it is recommended to Install protective pads under all legs and supports to avoid/prevent from damages/scratches and discoloration.

ASSEMBLY INSTRUCTION



Armless Chair



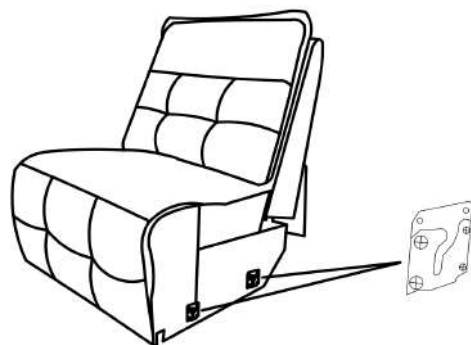
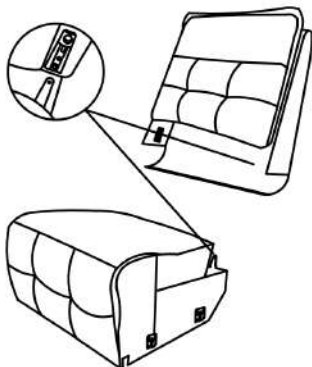
NOTE: Do not use power tools for assembly. The use of power tools increases the risk of over-tightening, which can result in wood splitting or cracking.



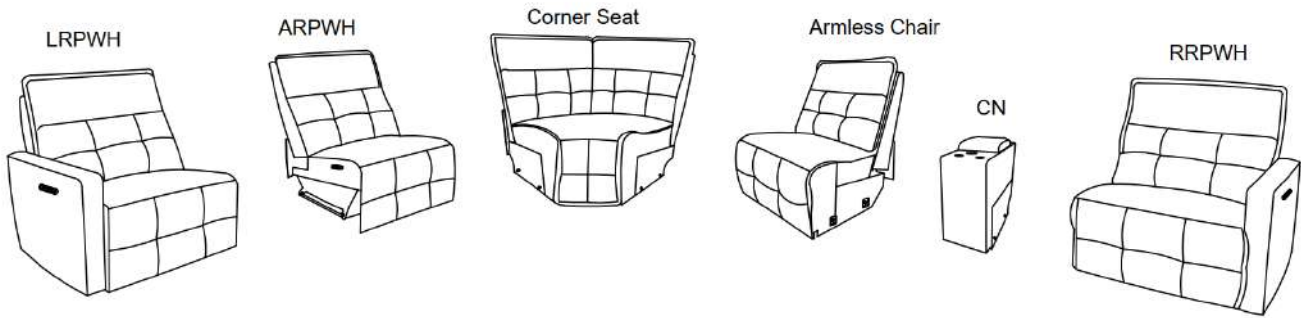
Component list

No	Drawing	Qty	Description
A		1	Seat
B		1	Back Rest

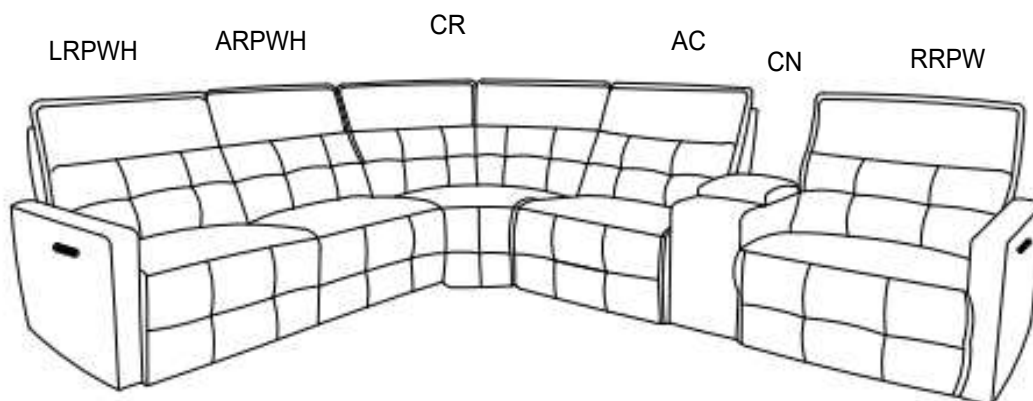
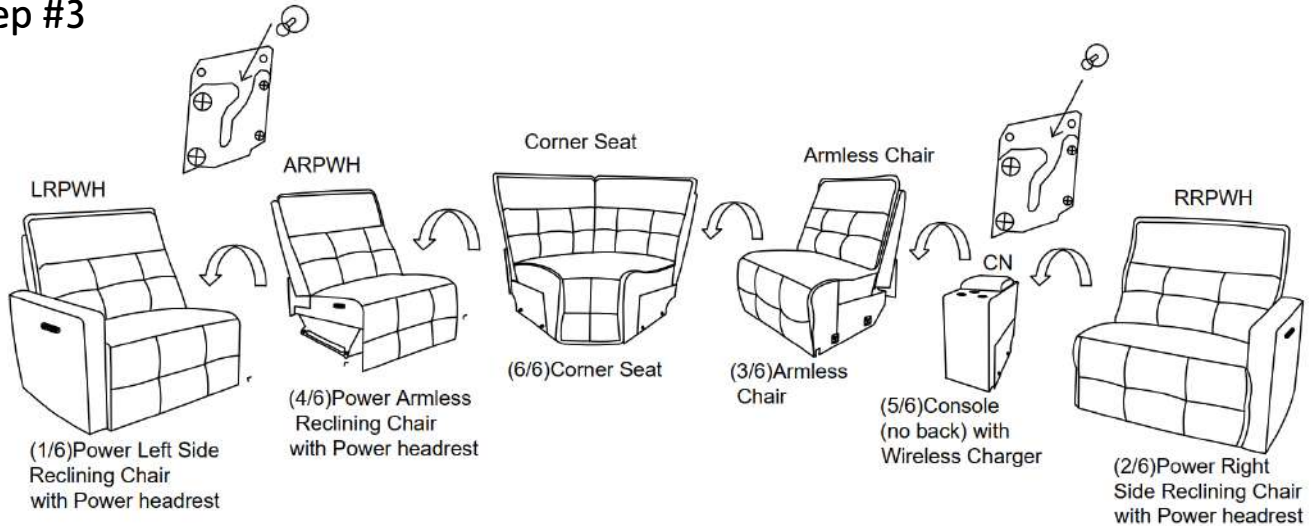
Step #1



Step #2



Step #3



Care Instruction for Textured Polyester Furniture:

In order to maintain the original appearance of your textured polyester Furniture, please follow below simple care procedures:

- Avoid exposing furniture directly to sunlight or heating and air conditioning outlets. Sunlight and or exposure to heating and air conditioning outlets will fade/damage textured polyester.
- Vacuum or wipe with a soft cloth to remove dust.
- Hardware may loosen over time. Periodically check to make sure all connection are tight, Re-tighten if necessary.



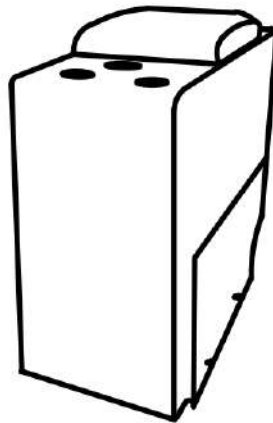
For items use on wooden floor, hard surfaces or carpets, it is recommended to Install protective pads under all legs and supports to avoid/prevent from damages/scratches and discoloration.

ASSEMBLY INSTRUCTION




Console (no back) with Wireless Charger



NOTE: Do not use power tools for assembly. The use of power tools increases the risk of over-tightening, which can result in wood splitting or cracking.

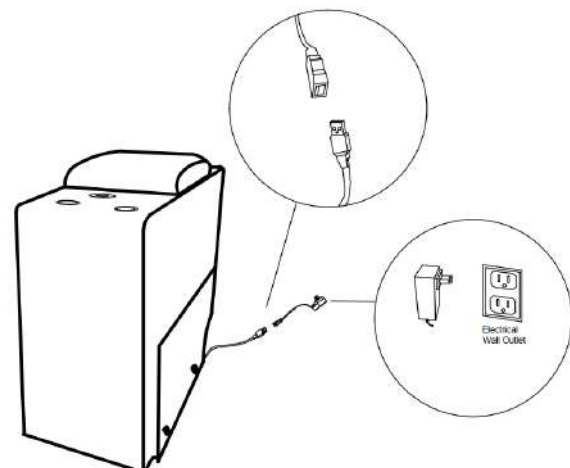
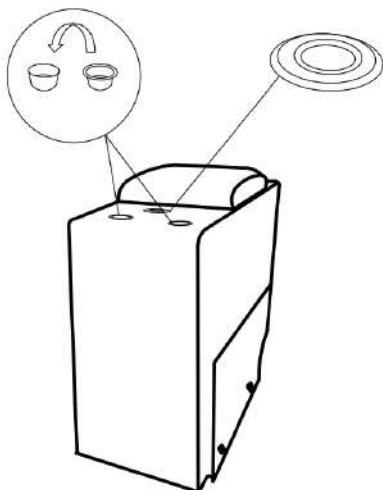


Component list

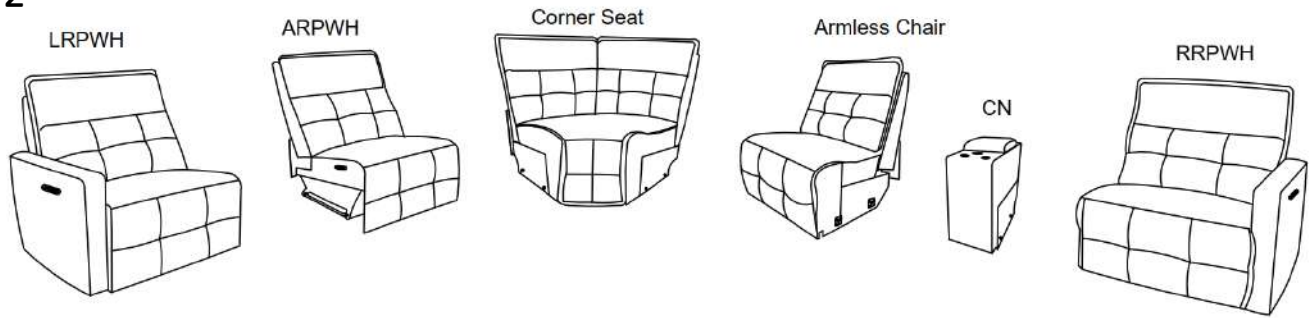
No	Drawing	Qty	Description
A		1	Console
B		2	Stainless steel Cup holder (D108*D85*H53mm)
C		1	Adaptor/Plug

Step #1

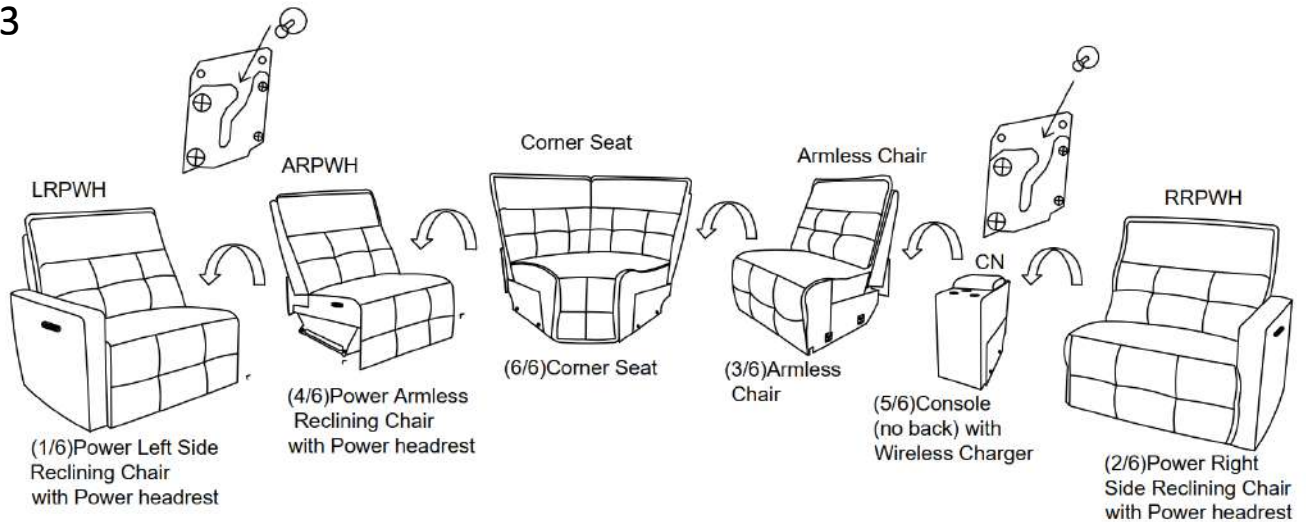
Wireless charging



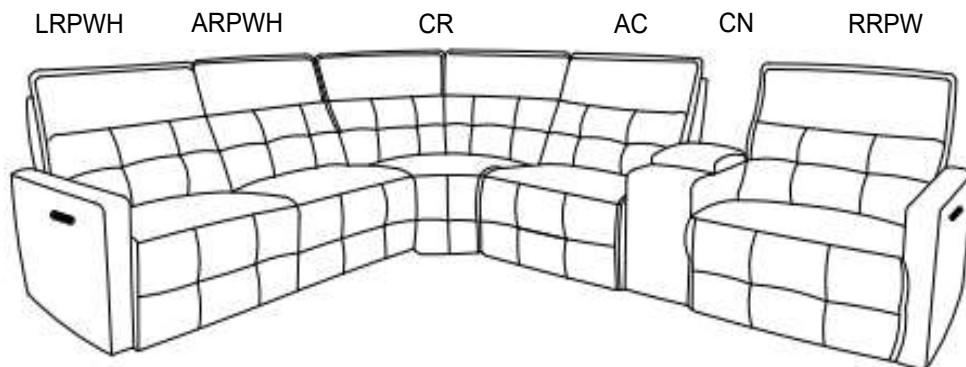
Step#2



Step#3



Step#4



Care Instruction for Textured Polyester Furniture:

In order to maintain the original appearance of your textured polyester Furniture, please follow below simple care procedures:

- Avoid exposing furniture directly to sunlight or heating and air conditioning outlets. Sunlight and or exposure to heating and air conditioning outlets will fade/damage textured polyester.
- Vacuum or wipe with a soft cloth to remove dust.
- Hardware may loosen over time. Periodically check to make sure all connection are tight, Re-tighten if necessary.



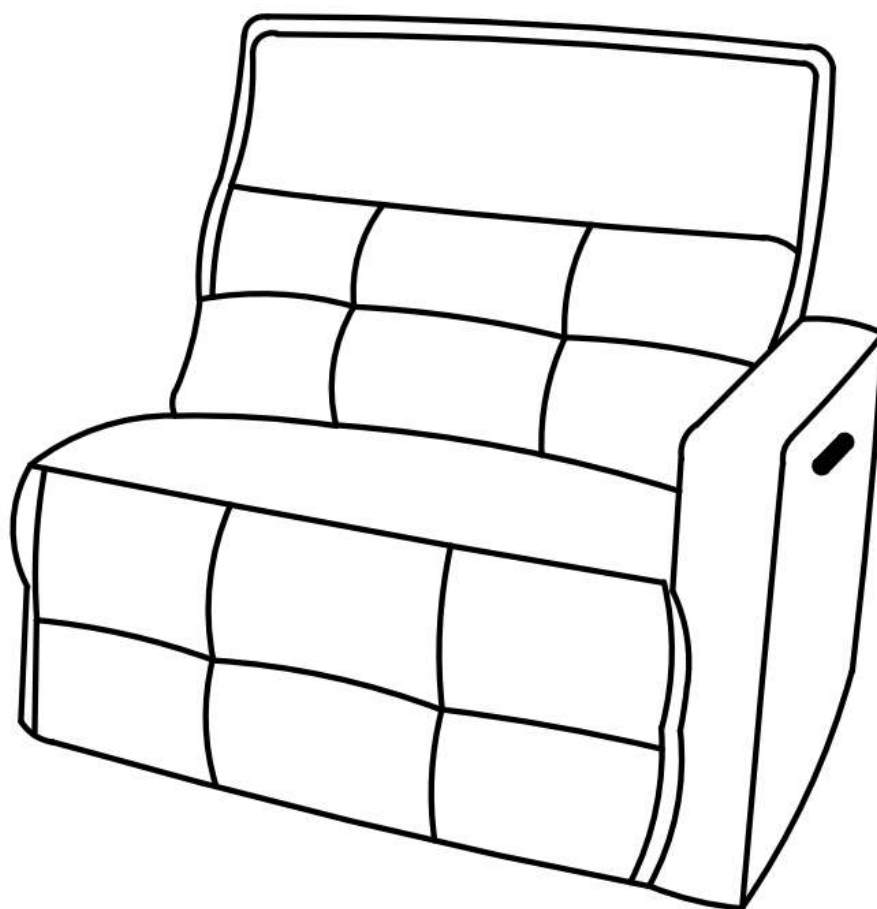
For items use on wooden floor, hard surfaces or carpets, it is recommended to Install protective pads under all legs and supports to avoid/prevent from damages/scratches and discoloration.

ASSEMBLY INSTRUCTION

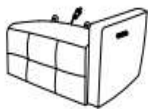


Power Right Side Reclining Chair with Power headrest



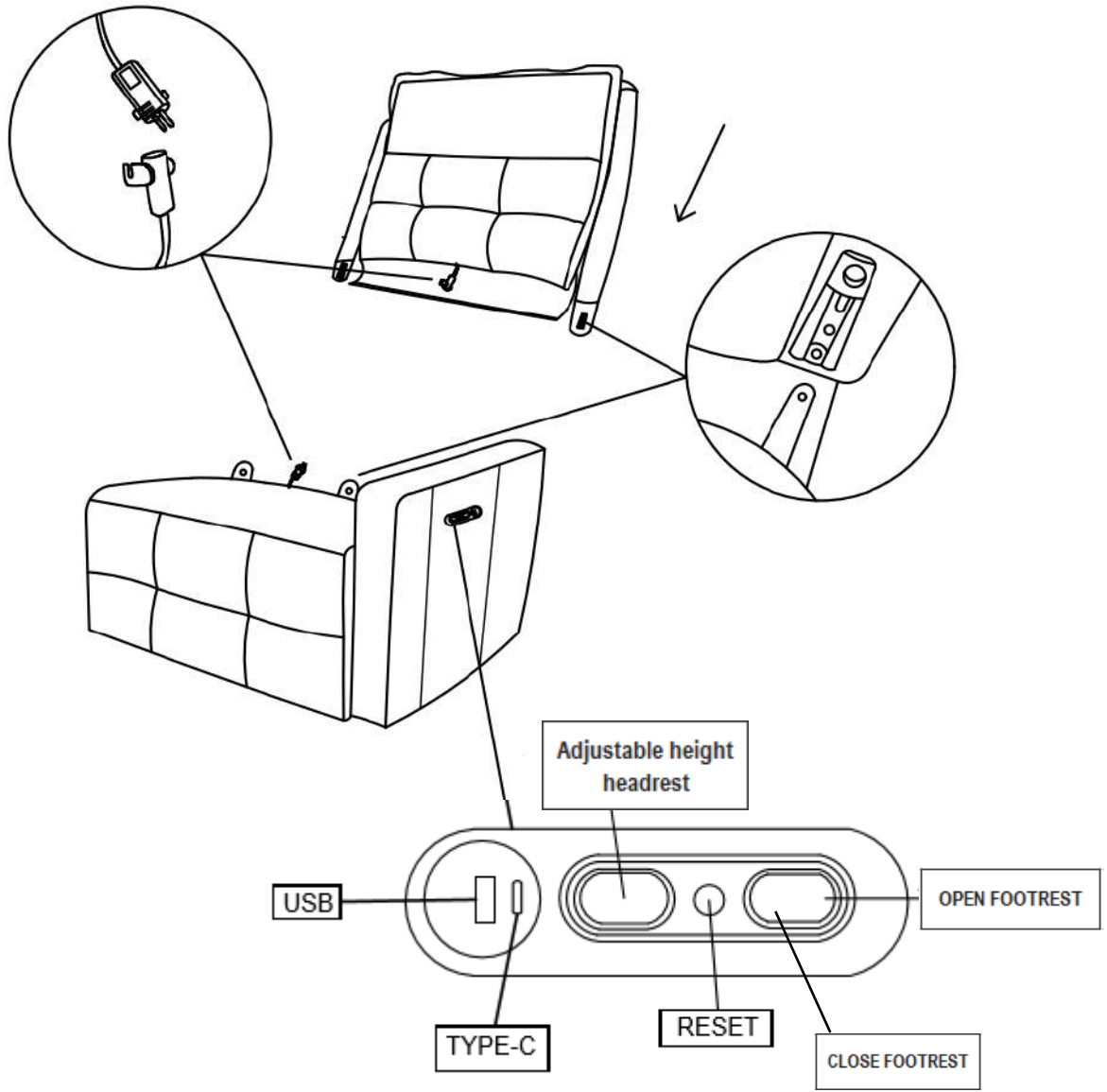
NOTE: Do not use power tools for assembly. The use of power tools increases the risk of over-tightening, which can result in wood splitting or cracking.



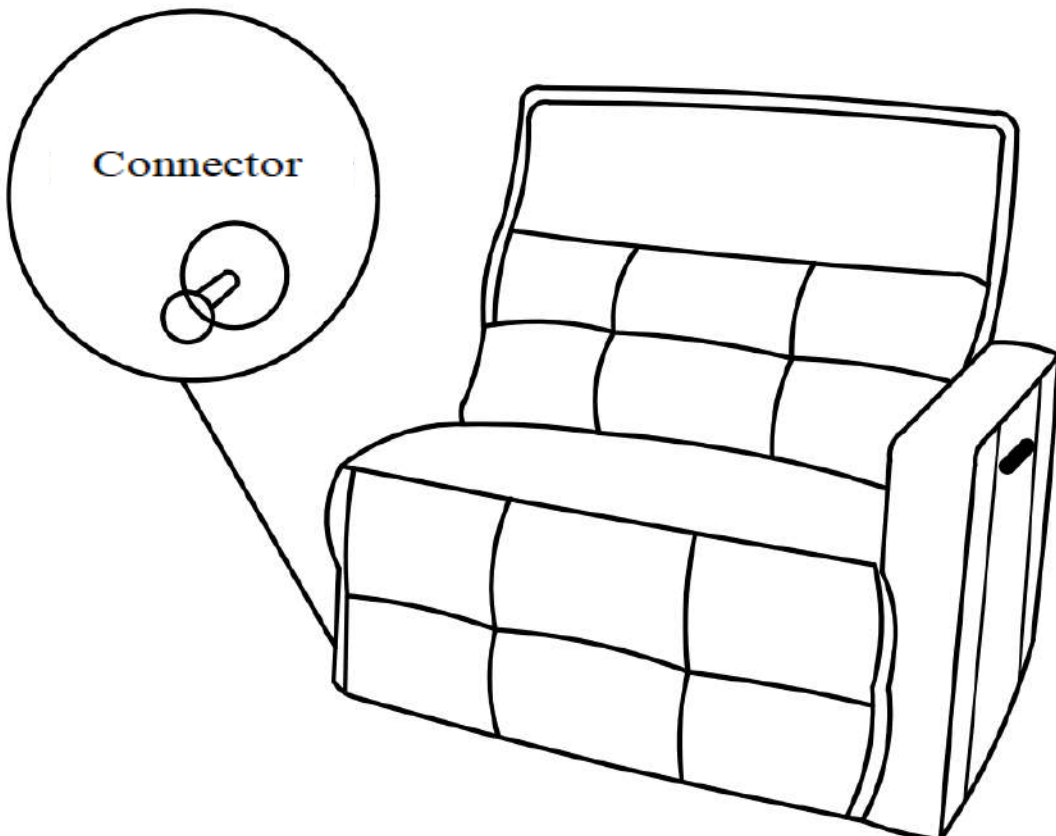
Component list

No	Drawing	Qty	Description
A		1	Seat
B		1	Back Rest
C		1	Adaptor/Plug

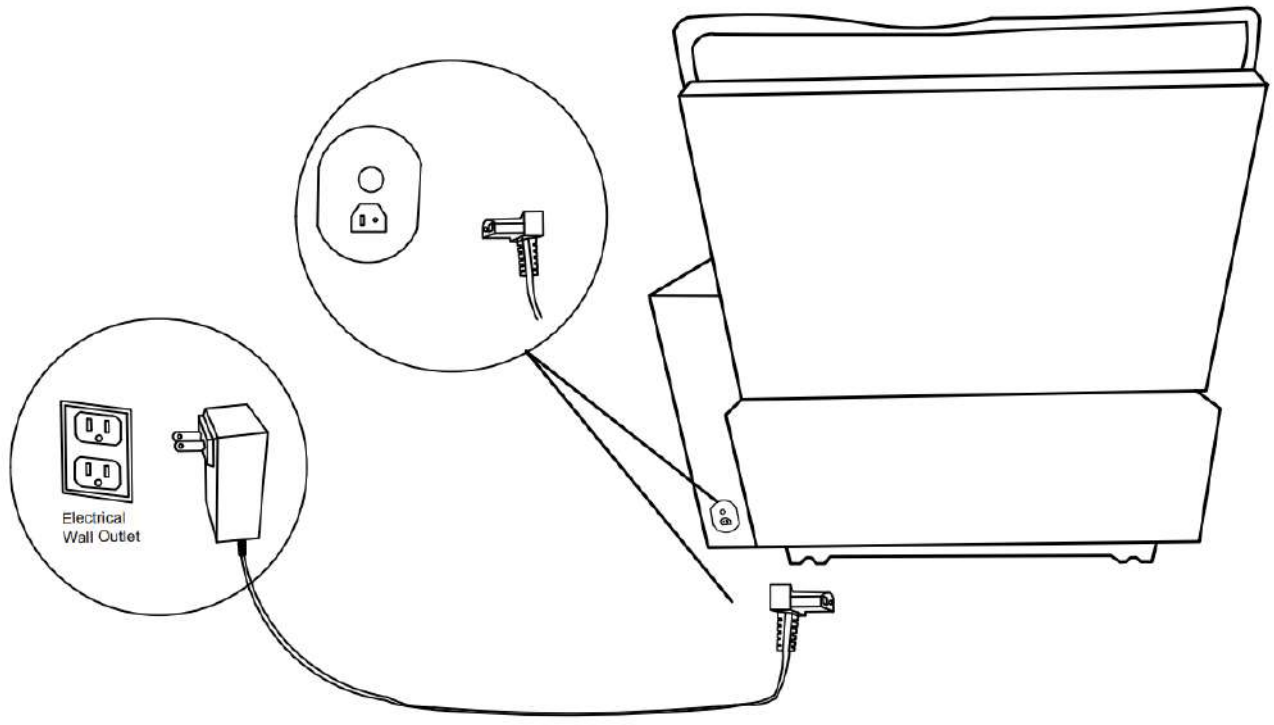
Step #1



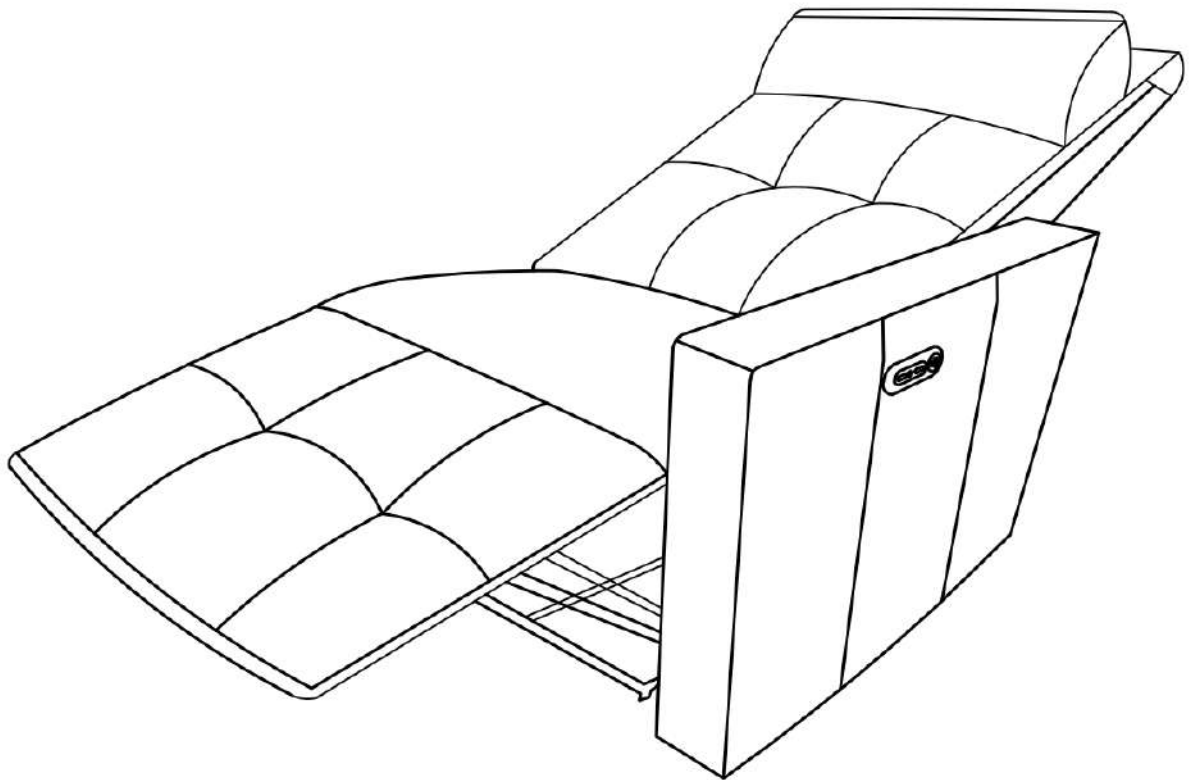
Step #2



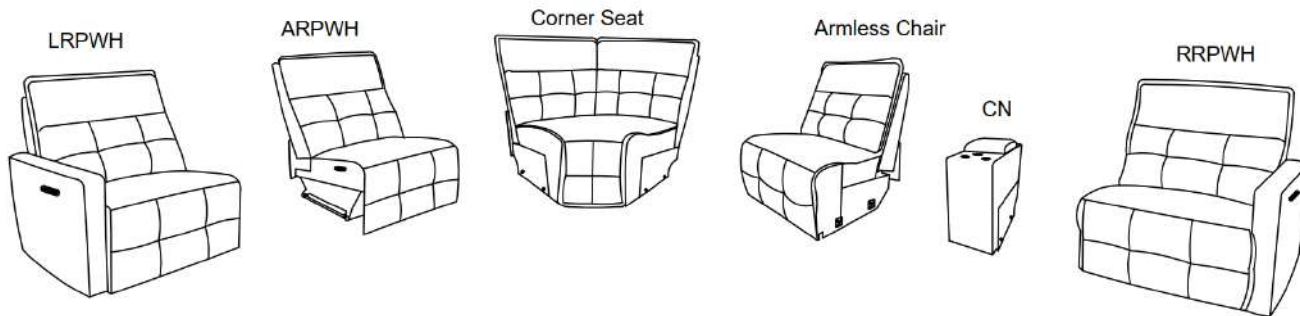
Step #3



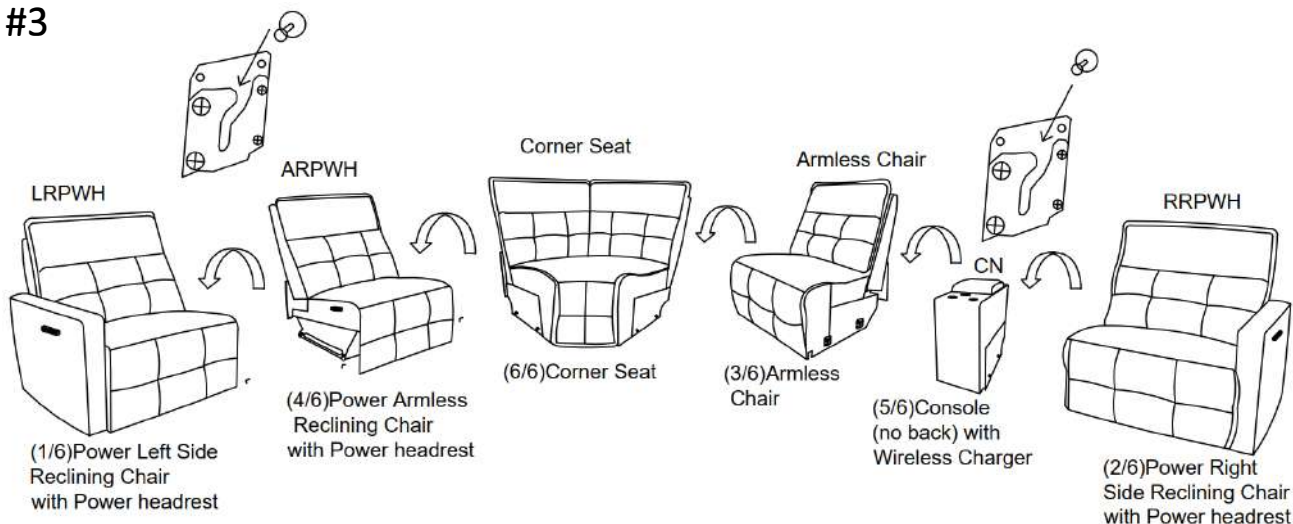
Step #4



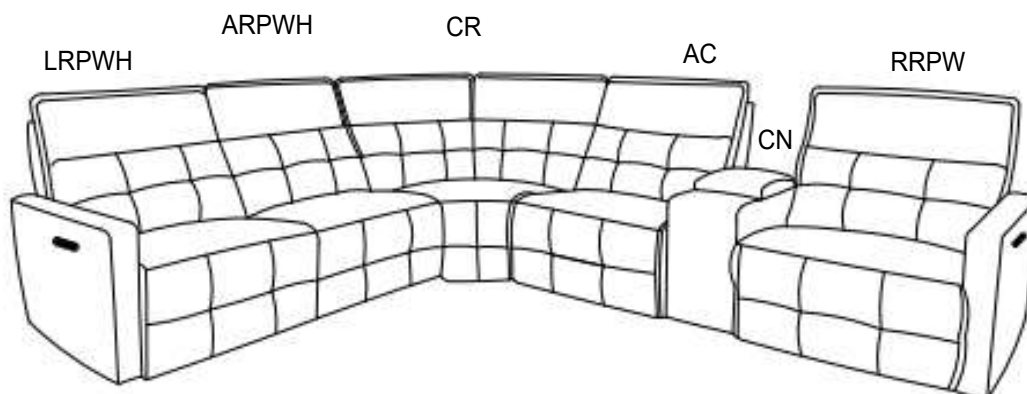
Step #2



Step #3



Step #4



Care Instruction for Textured polyester Furniture:

In order to maintain the original appearance of your textured polyester Furniture, please follow below simple care procedures:

- Avoid exposing furniture directly to sunlight or heating and air conditioning outlets. Sunlight and or exposure to heating and air conditioning outlets will fade/damage textured polyester.
- Vacuum or wipe with a soft cloth to remove dust.
- Hardware may loosen over time. Periodically check to make sure all connection are tight, Re-tighten if necessary.



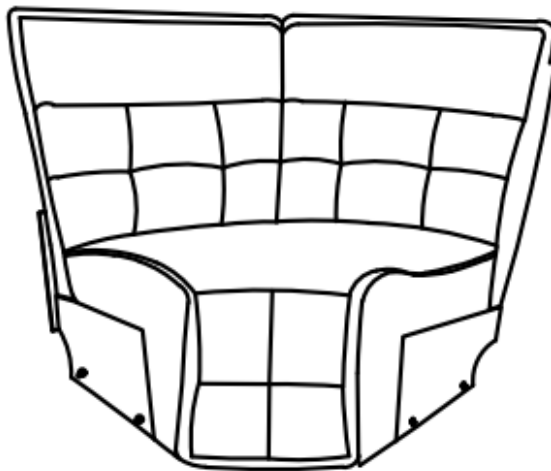
For items use on wooden floor, hard surfaces or carpets, it is recommended to Install protective pads under all legs and supports to avoid/prevent from damages/scratches and discoloration.

ASSEMBLY INSTRUCTION

Corner Seat



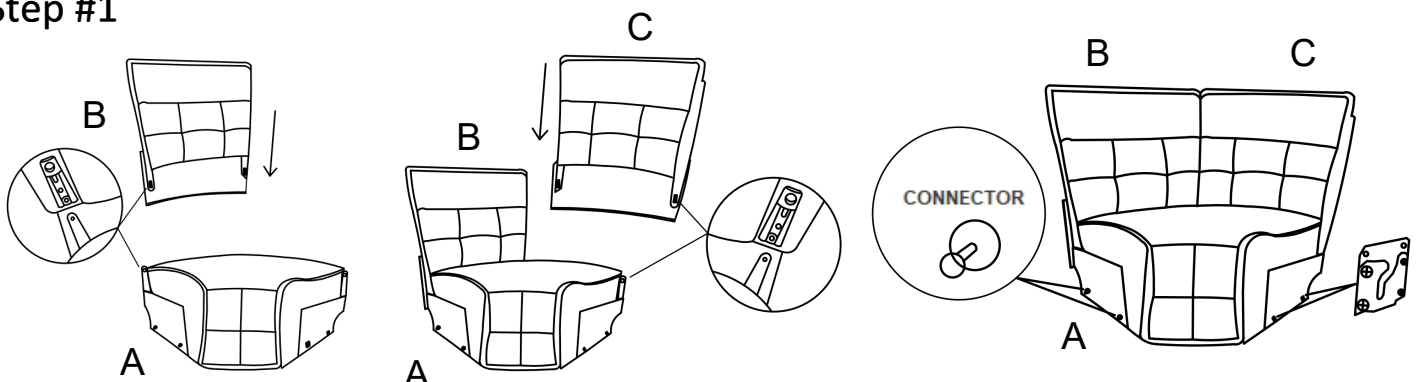
NOTE: Do not use power tools for assembly. The use of power tools increases the risk of over-tightening, which can result in wood splitting or cracking.



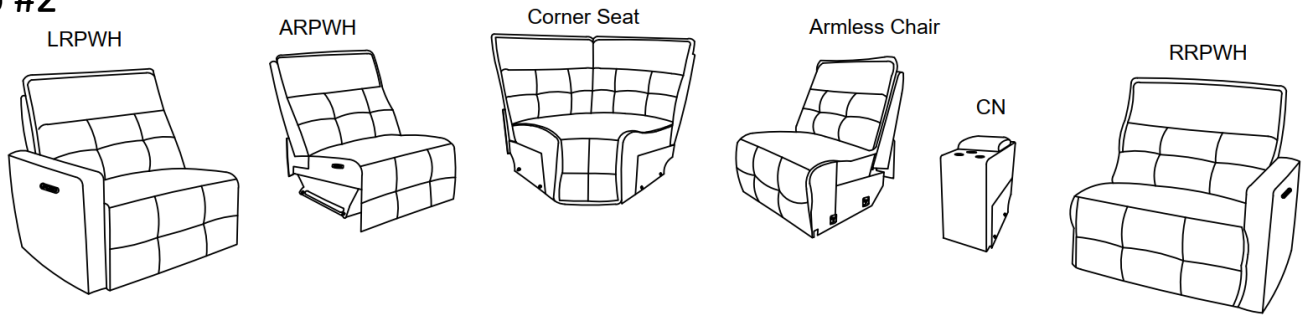
Component list

No	Drawing	Qty	Description
A		1	Seat
B		1	LSF Back Rest
C		1	RSF Back Rest

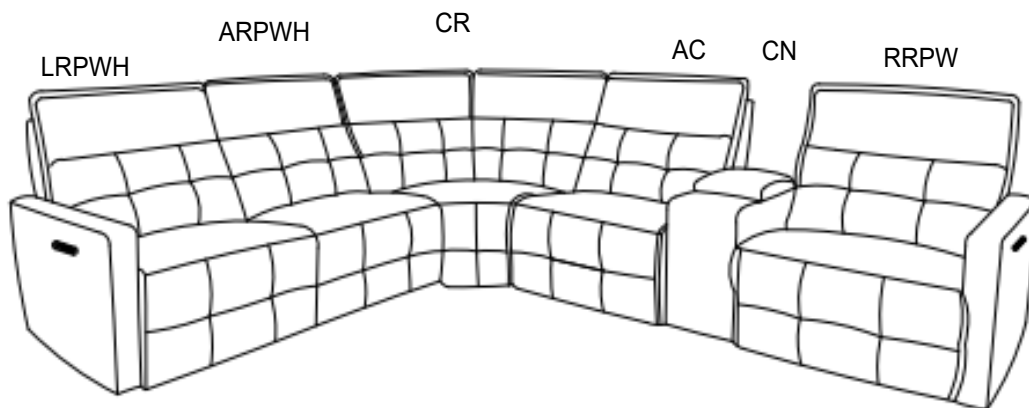
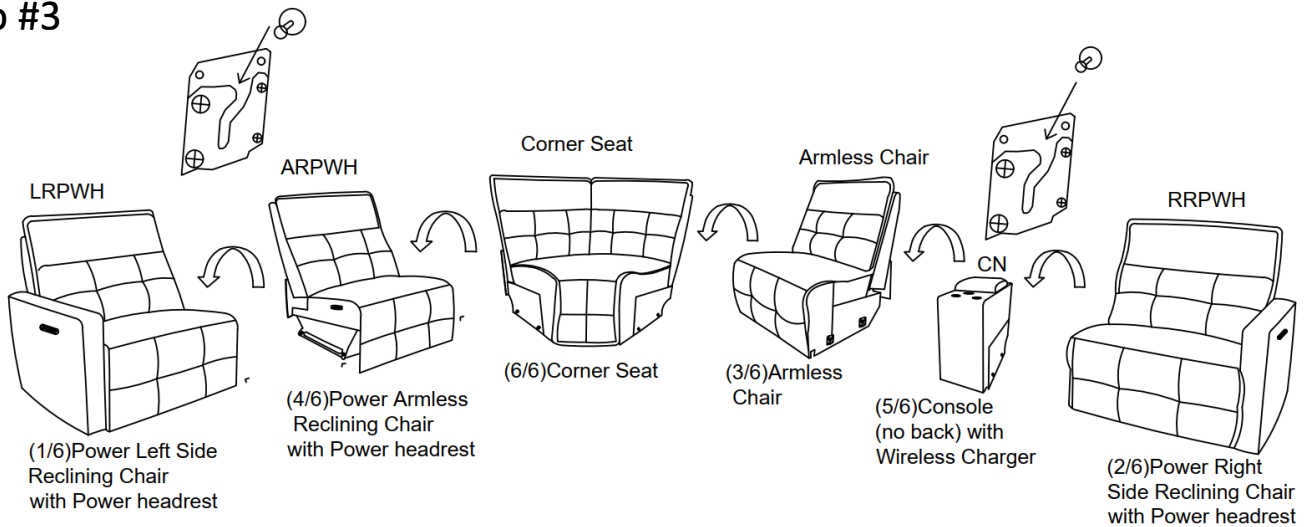
Step #1



Step #2



Step #3



Care Instruction for Textured Polyester Furniture:

In order to maintain the original appearance of your textured polyester Furniture, please follow below simple care procedures:

- Avoid exposing furniture directly to sunlight or heating and air conditioning outlets. Sunlight and or exposure to heating and air conditioning outlets will fade/damage textured polyester.
- Vacuum or wipe with a soft cloth to remove dust.
- Hardware may loosen over time. Periodically check to make sure all connection are tight, Re-tighten if necessary.



For items use on wooden floor, hard surfaces or carpets, it is recommended to Install protective pads under all legs and supports to avoid/prevent from damages/scratches and discoloration.

ASSEMBLY INSTRUCTION

Power Armless Reclining Chair with Power headrest



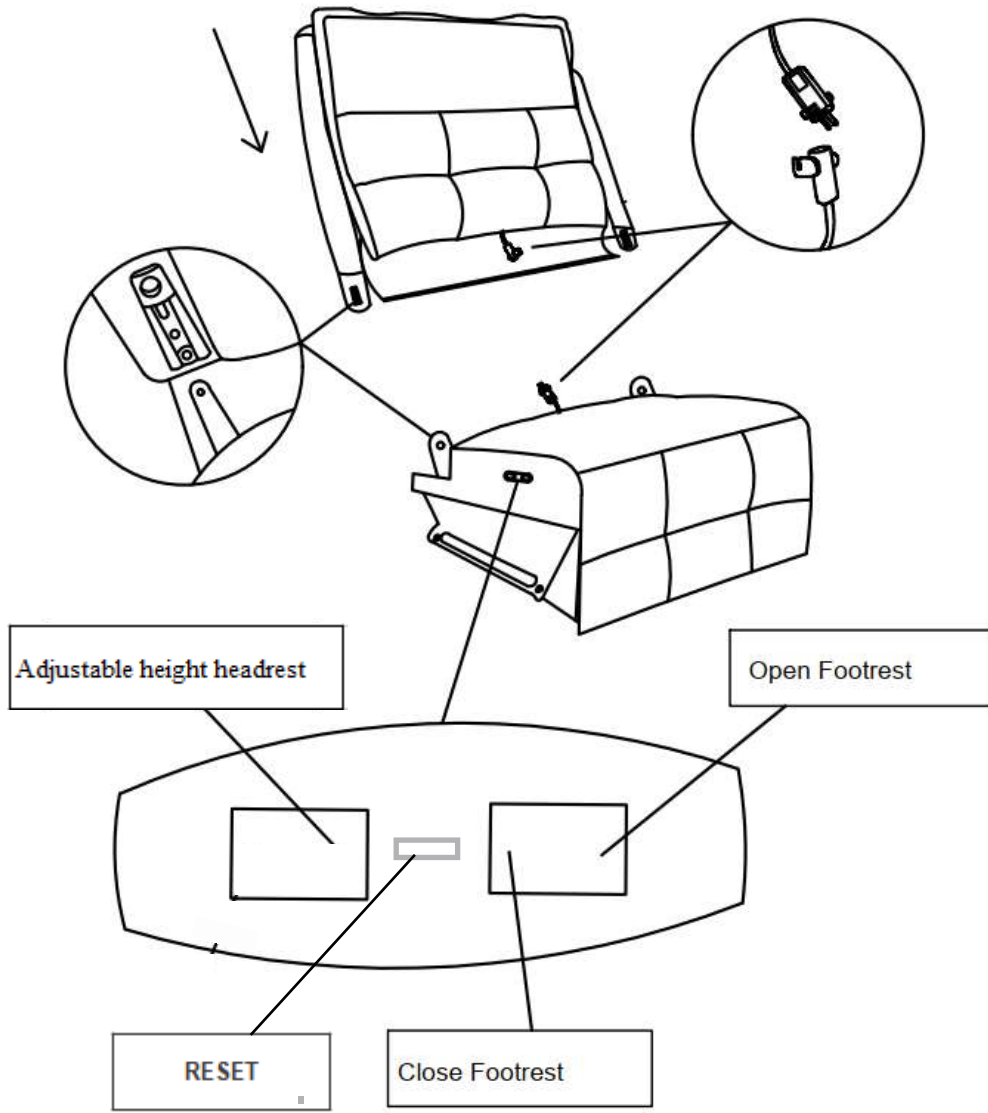
NOTE: Do not use power tools for assembly. The use of power tools increases the risk of over-tightening, which can result in wood splitting or cracking.



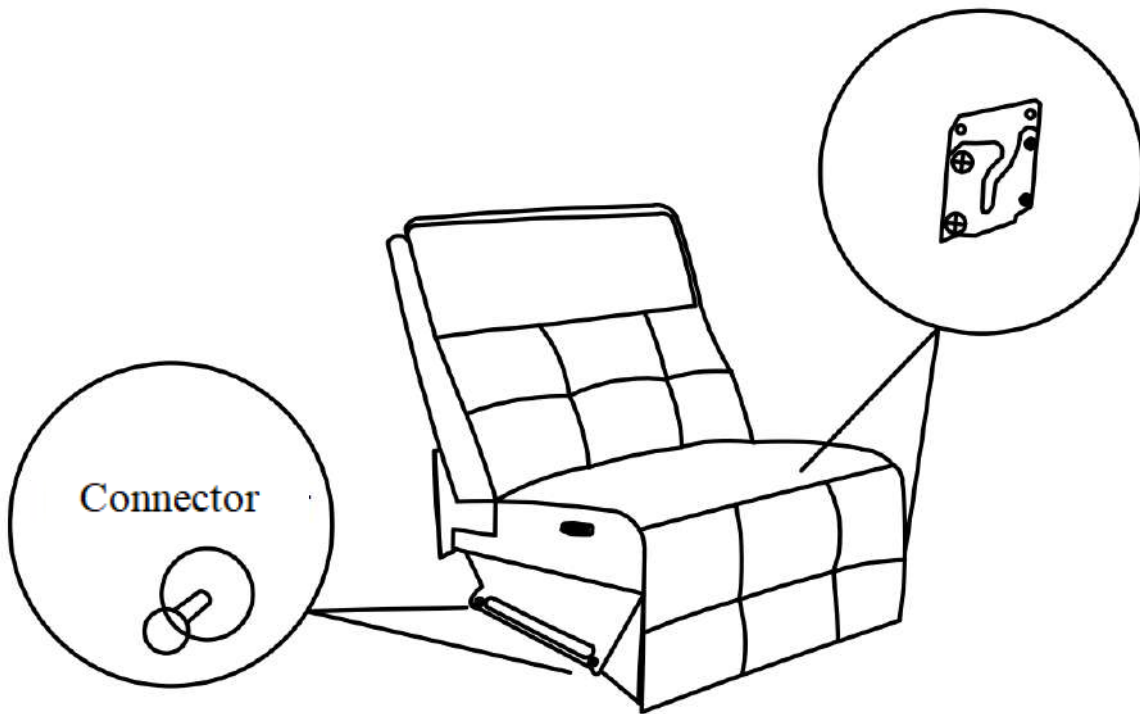
Component list

No	Drawing	Qty	Description
A		1	Seat
B		1	Back Rest
C		1	Adaptor /Plug

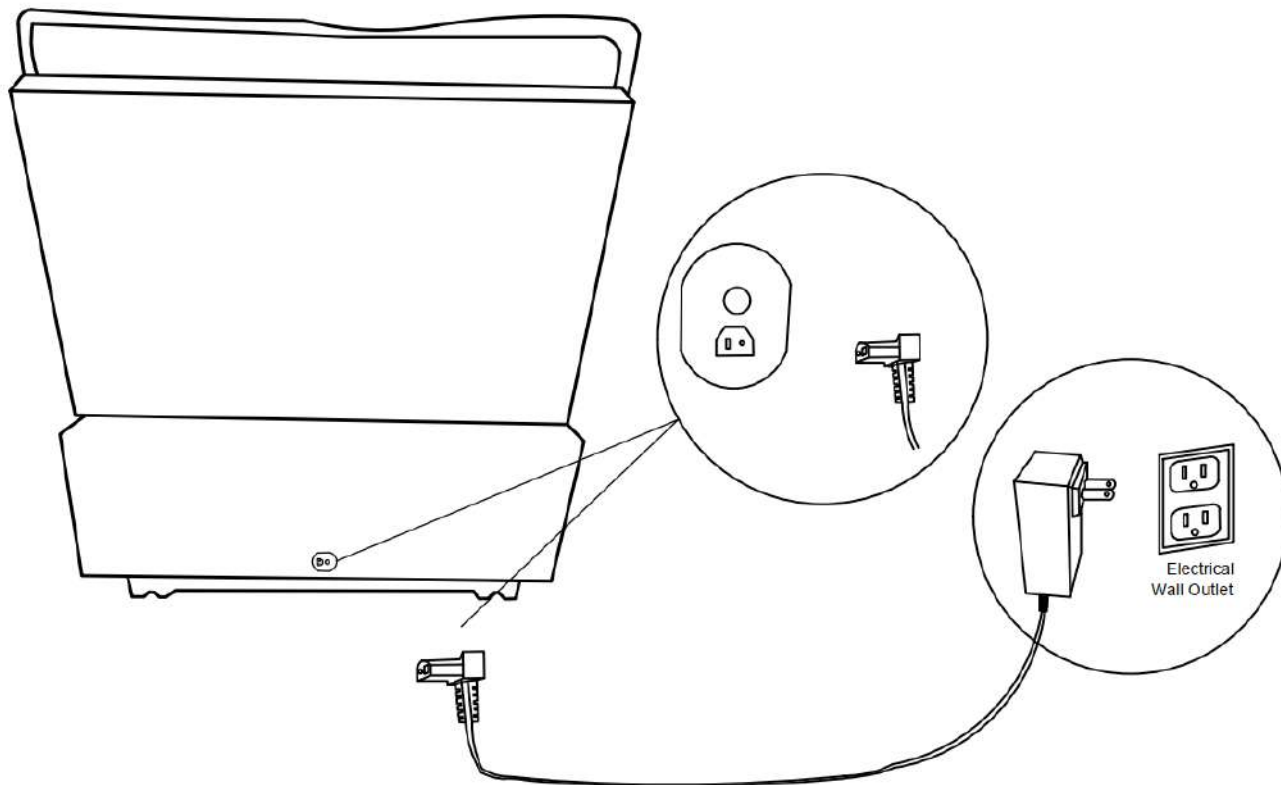
Step #1



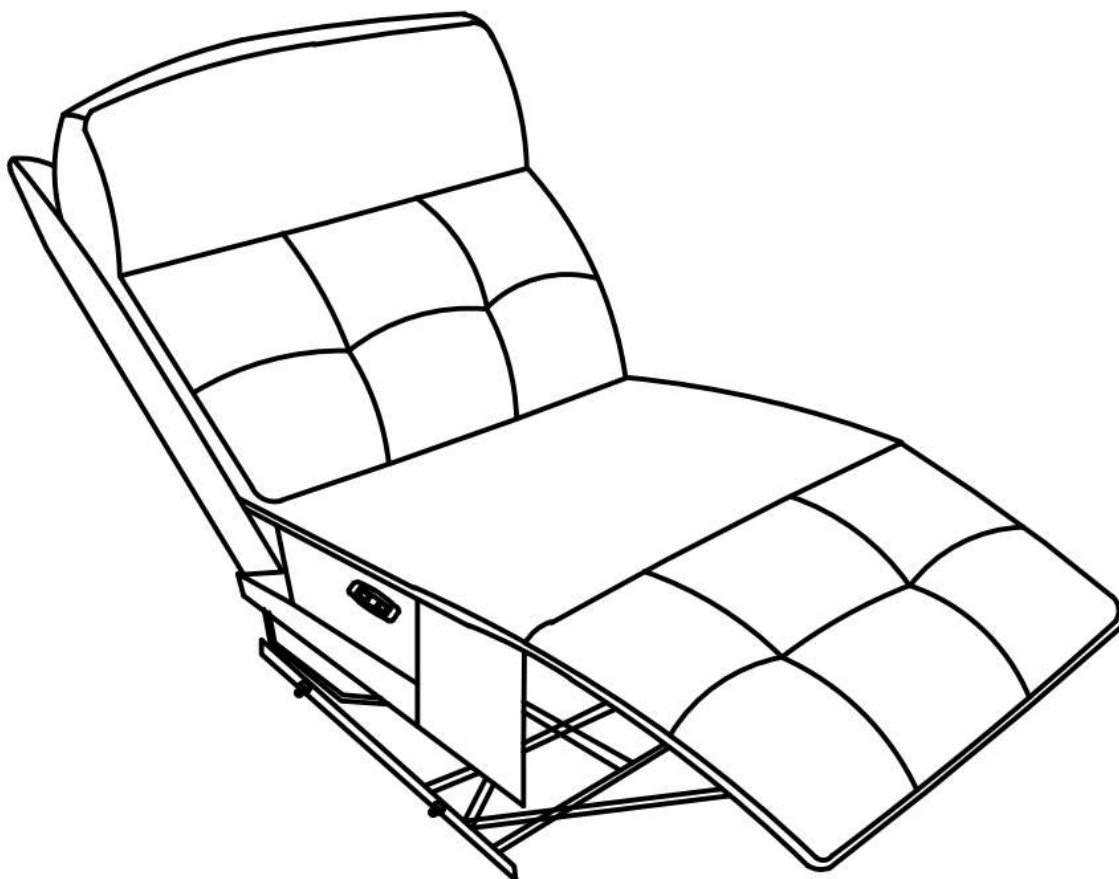
Step #2



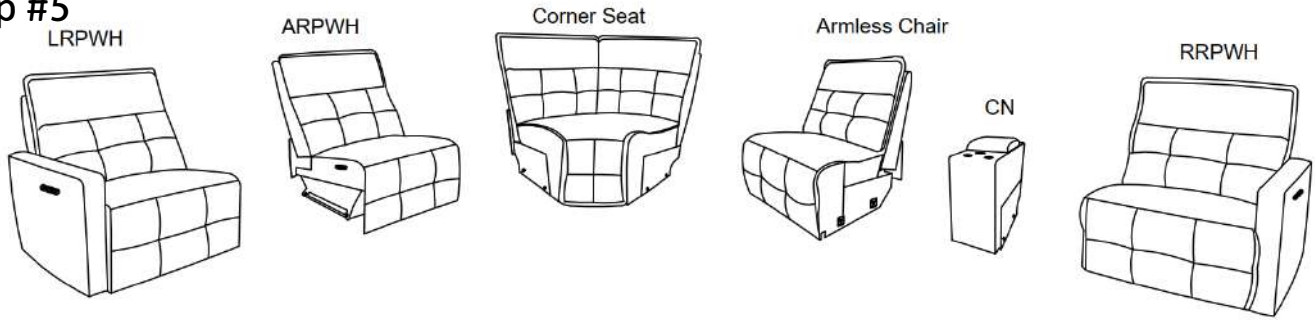
Step #3



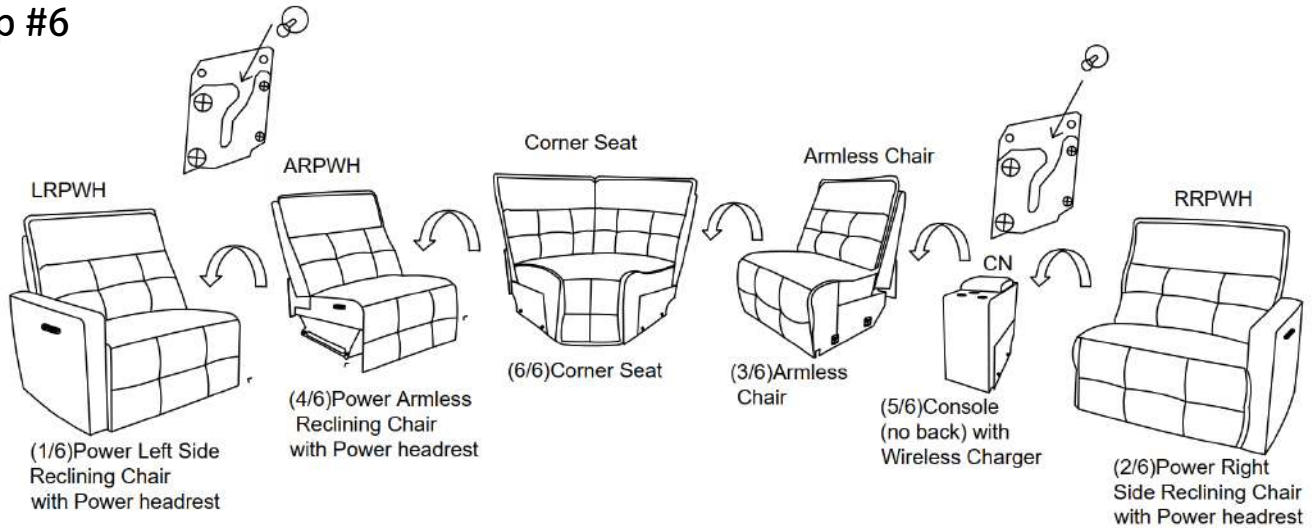
Step #4



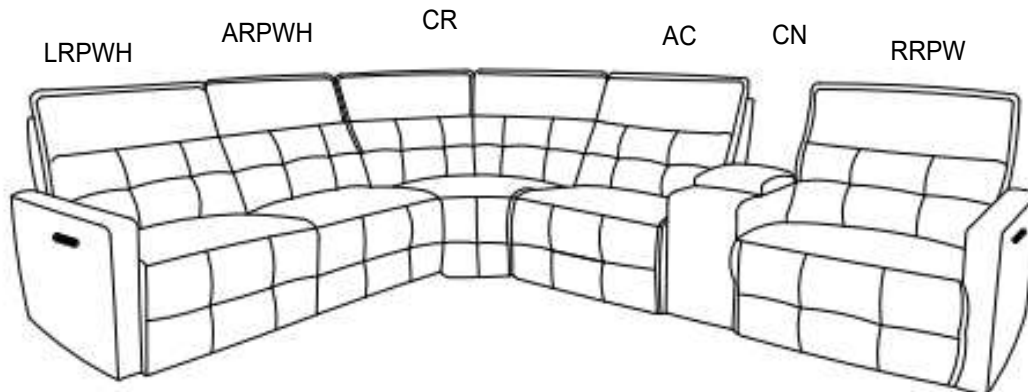
Step #5



Step #6



Step #7



Care Instruction for Textured Polyester Furniture:

In order to maintain the original appearance of your textured polyester Furniture, please follow below simple care procedures:

- Avoid exposing furniture directly to sunlight or heating and air conditioning outlets. Sunlight and or exposure to heating and air conditioning outlets will fade/damage textured polyester.
- Vacuum or wipe with a soft cloth to remove dust.
- Hardware may loosen over time. Periodically check to make sure all connection are tight, Re-tighten if necessary.



For items use on wooden floor, hard surfaces or carpets, it is recommended to Install protective pads under all legs and supports to avoid/prevent from damages/scratches and discoloration.