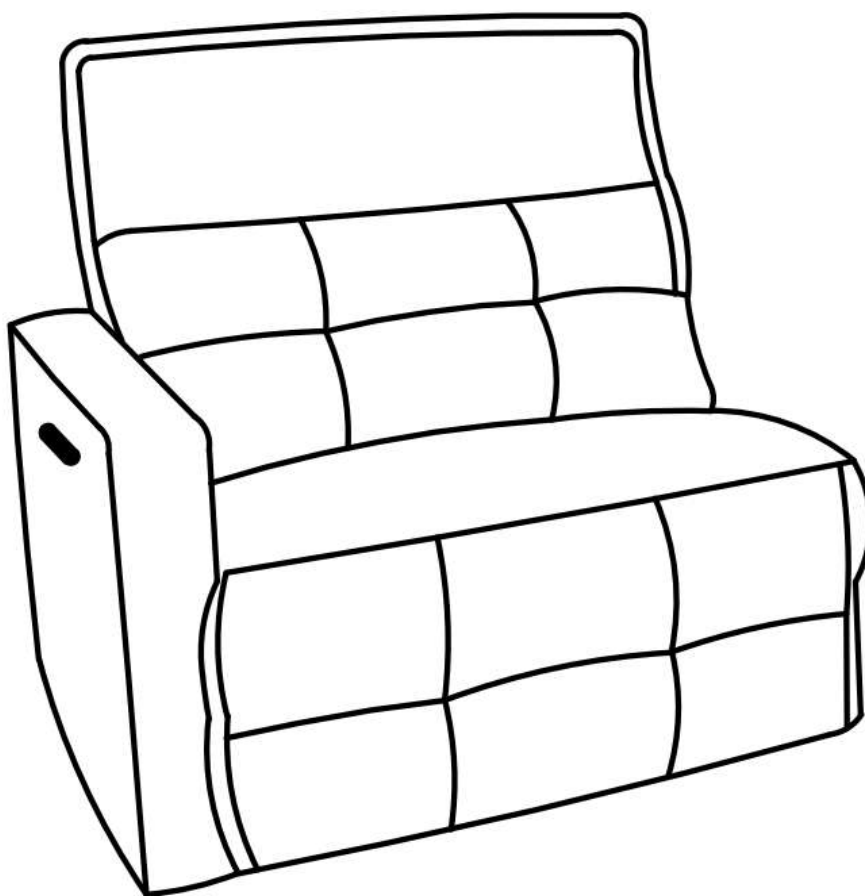


**ASSEMBLY INSTRUCTION**

**Power Left Side Reclining Chair  
with Power headrest**



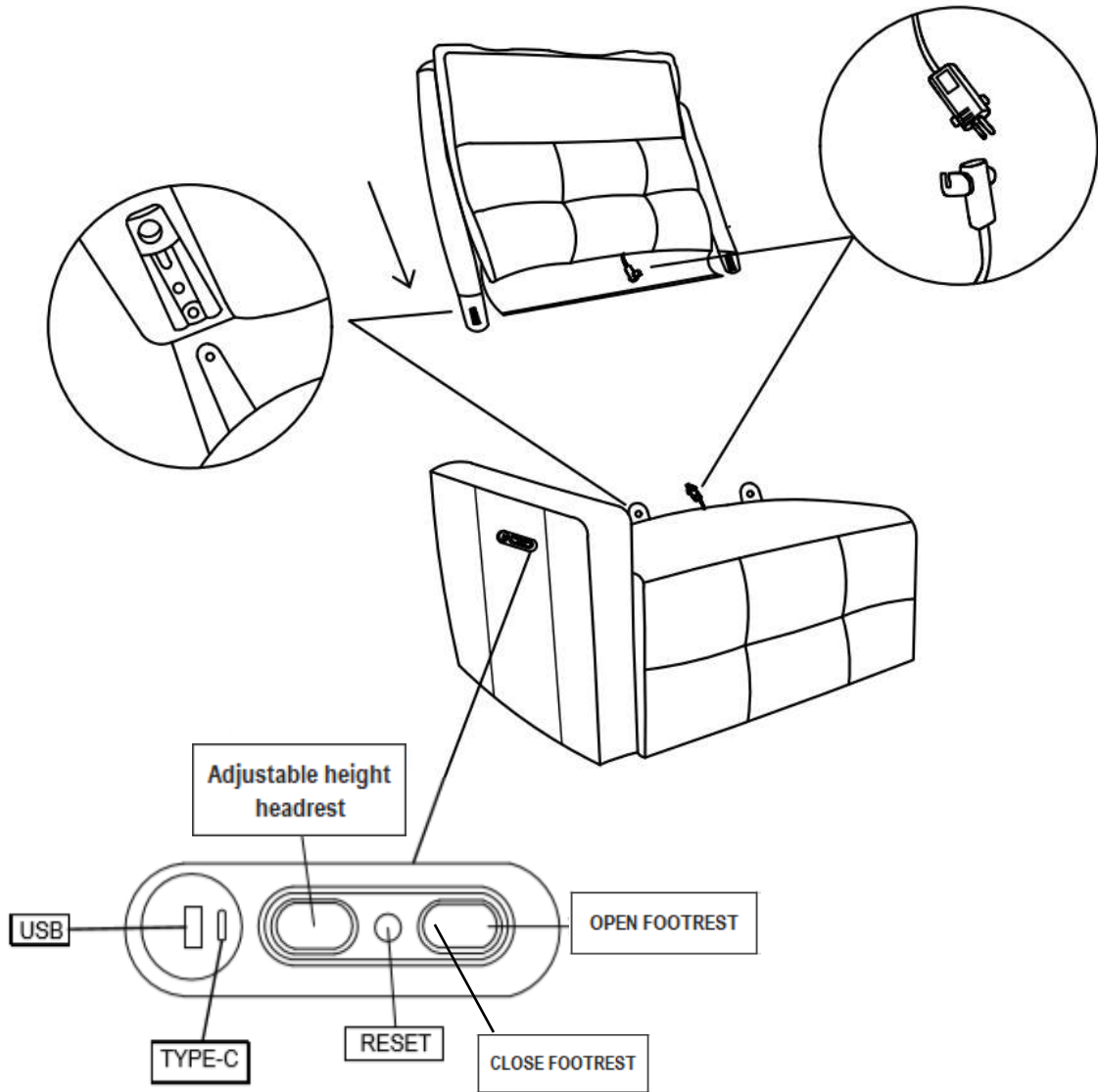
NOTE: Do not use power tools for assembly. The use of power tools increases the risk of over-tightening, which can result in wood splitting or cracking.



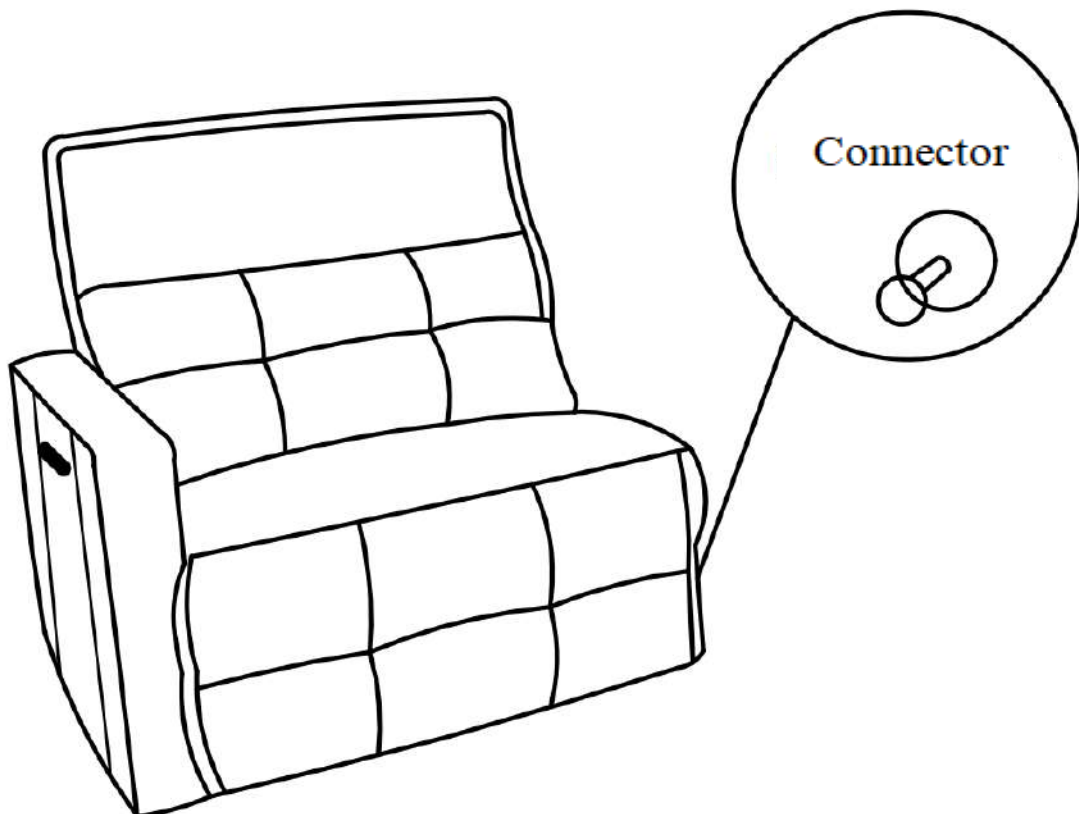
**Component list**

| No | Drawing | Qty | Description  |
|----|---------|-----|--------------|
| A  |         | 1   | Seat         |
| B  |         | 1   | Back Rest    |
| C  |         | 1   | Adaptor/Plug |

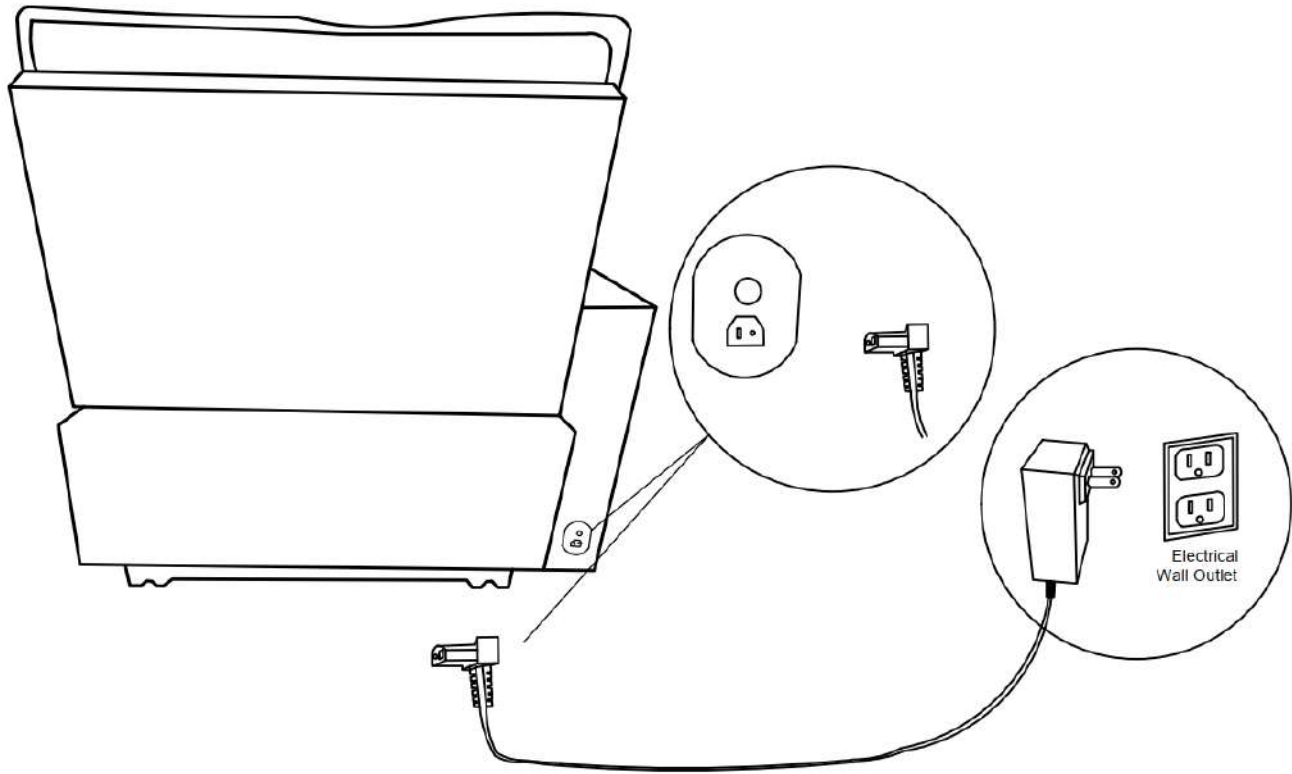
# Step #1



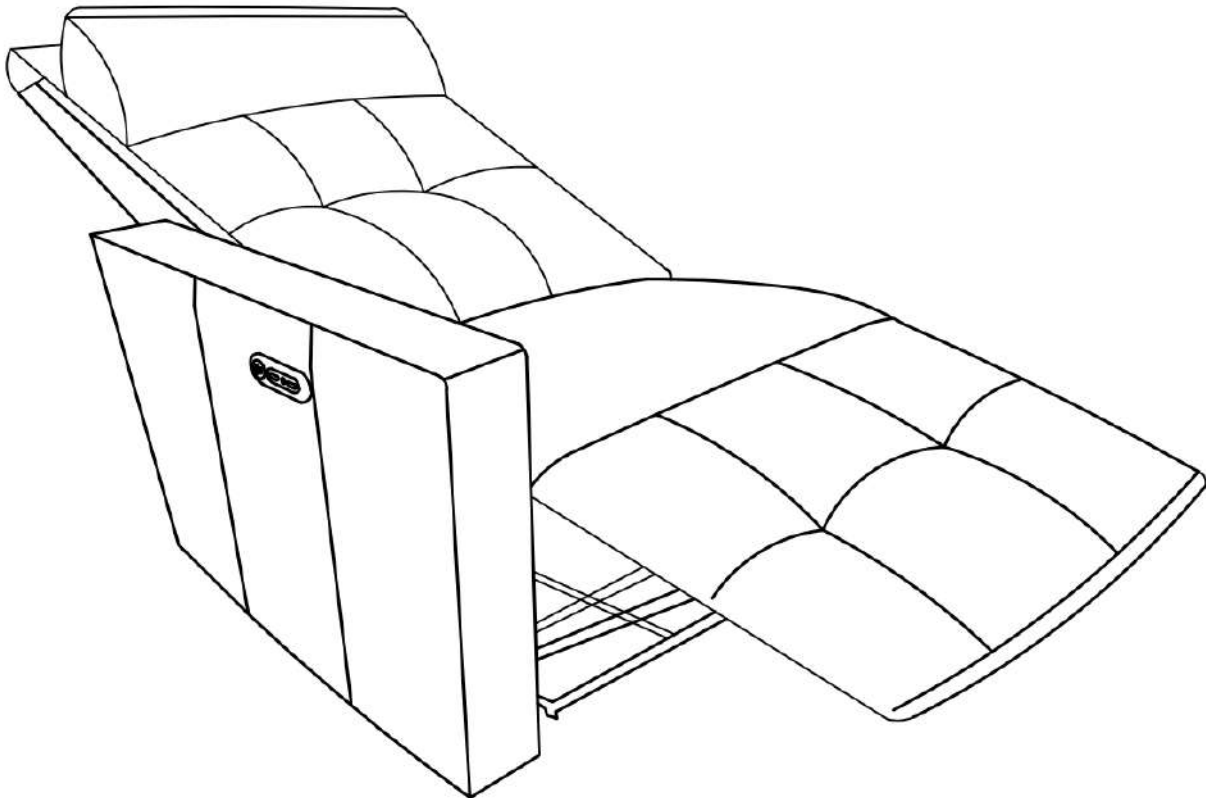
# Step #2



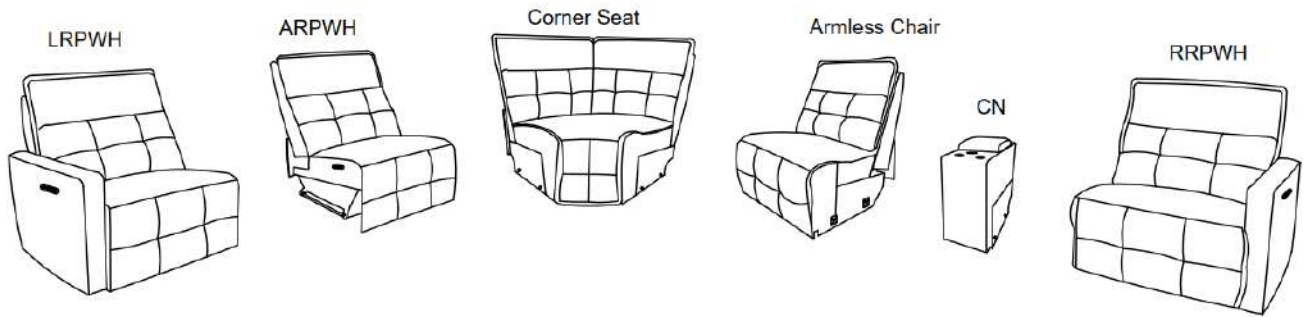
### Step #3



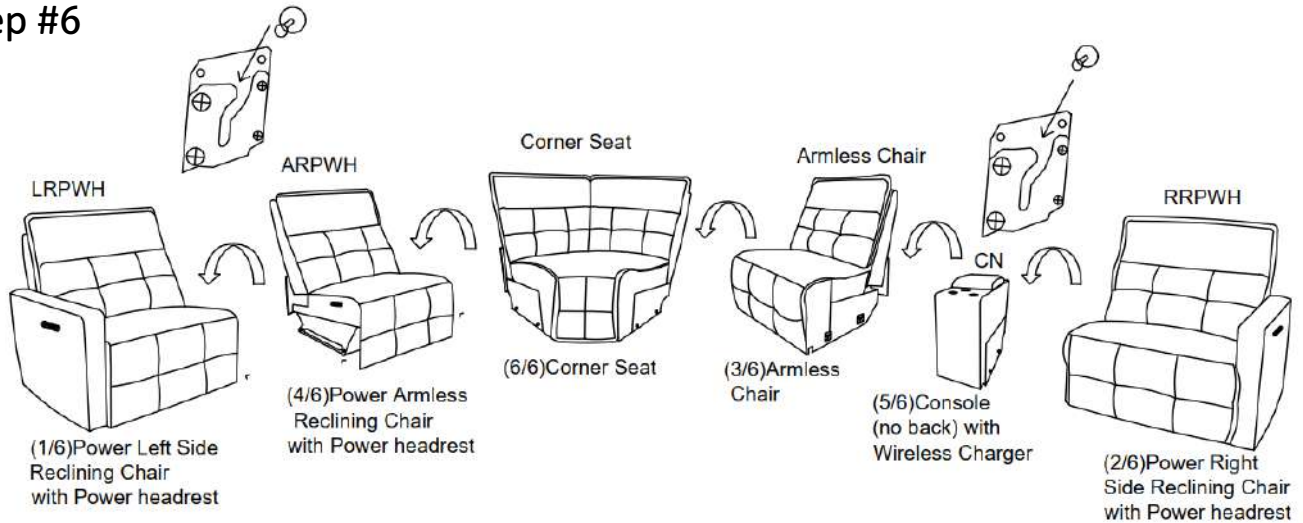
### Step #4



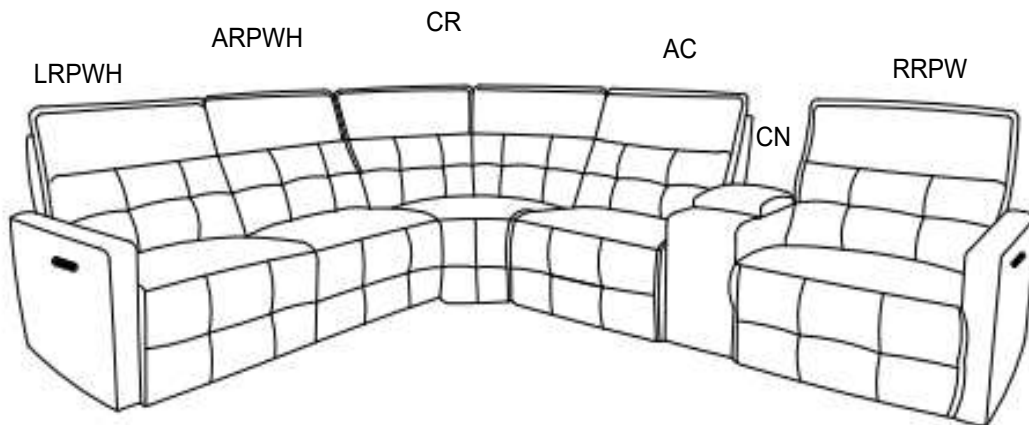
## Step #5



## Step #6



## Step #7



## Care Instruction for Textured Polyester Furniture:

In order to maintain the original appearance of your textured polyester Furniture, please follow below simple care procedures:

- Avoid exposing furniture directly to sunlight or heating and air conditioning outlets. Sunlight and or exposure to heating and air conditioning outlets will fade/damage textured polyester.
- Vacuum or wipe with a soft cloth to remove dust.
- Hardware may loosen over time. Periodically check to make sure all connection are tight, Re-tighten if necessary.



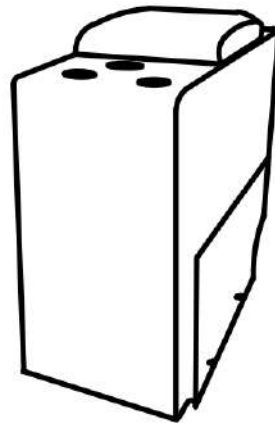
For items use on wooden floor, hard surfaces or carpets, it is recommended to Install protective pads under all legs and supports to avoid/prevent from damages/scratches and discoloration.

## ASSEMBLY INSTRUCTION




### Console (no back) with Wireless Charger



**NOTE:** Do not use power tools for assembly. The use of power tools increases the risk of over-tightening, which can result in wood splitting or cracking.

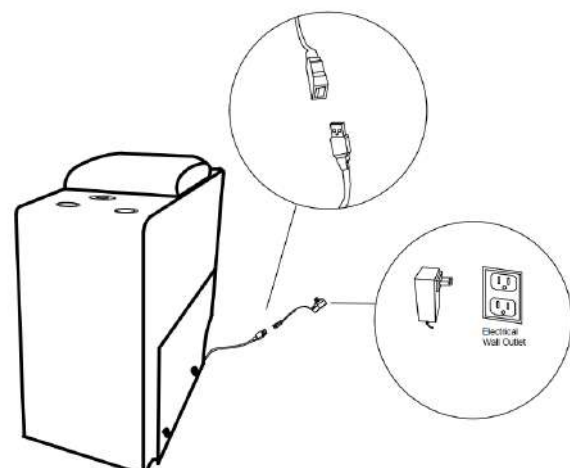
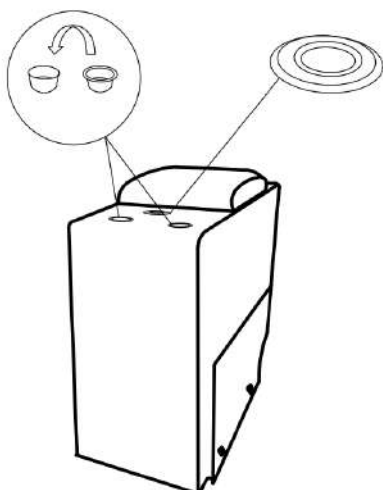


### Component list

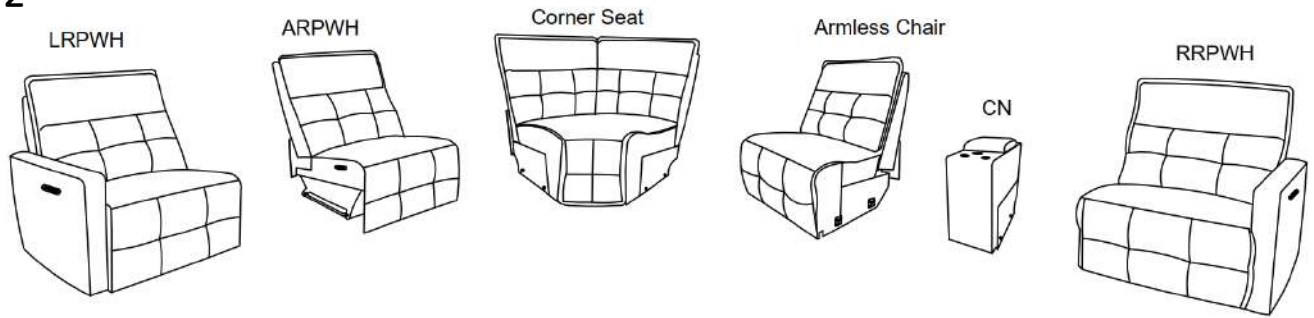
| No | Drawing   | Qty | Description                                 |
|----|---|-----|---|
| A  |  | 1   | Console                                     |
| B  |  | 2   | Stainless steel Cup holder (D108*D85*H53mm) |
| C  |  | 1   | Adaptor/Plug                                |

### Step #1

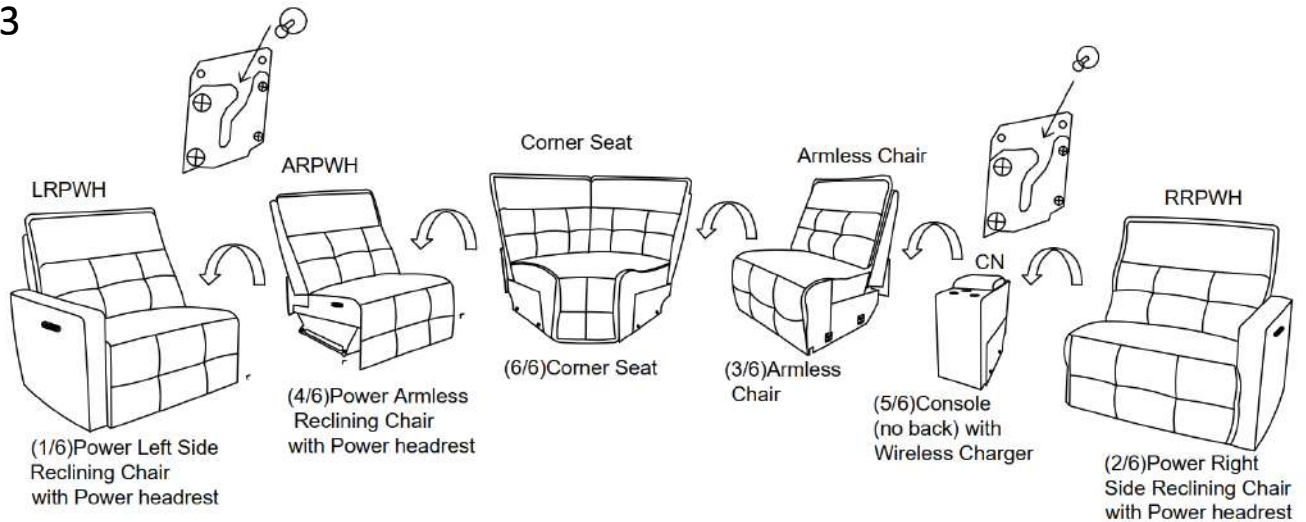
Wireless charging



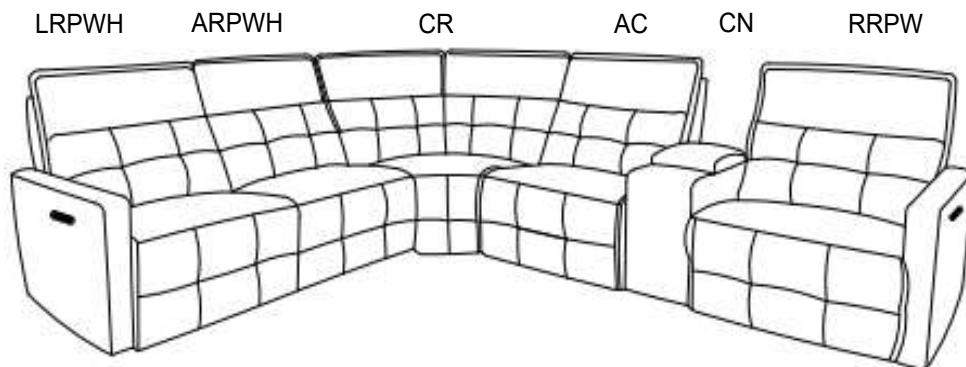
## Step#2



## Step#3



## Step#4



### Care Instruction for Textured Polyester Furniture:

In order to maintain the original appearance of your textured polyester Furniture, please follow below simple care procedures:

- Avoid exposing furniture directly to sunlight or heating and air conditioning outlets. Sunlight and or exposure to heating and air conditioning outlets will fade/damage textured polyester.
- Vacuum or wipe with a soft cloth to remove dust.
- Hardware may loosen over time. Periodically check to make sure all connection are tight, Re-tighten if necessary.

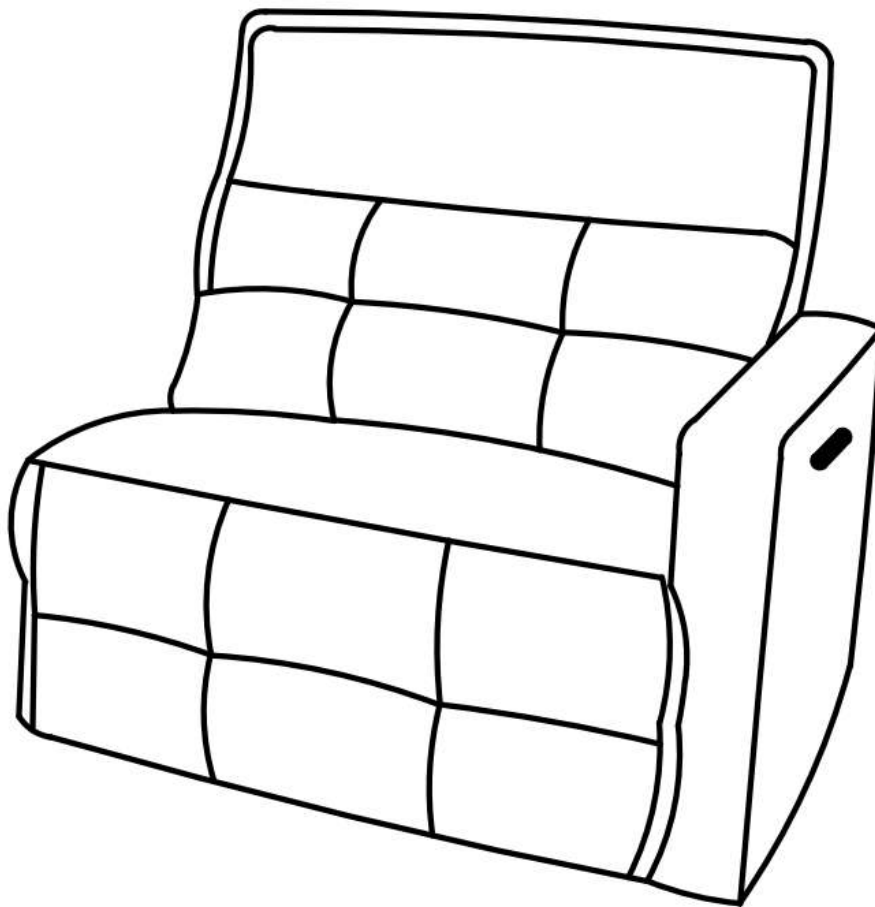


For items use on wooden floor, hard surfaces or carpets, it is recommended to Install protective pads under all legs and supports to avoid/prevent from damages/scratches and discoloration.




**ASSEMBLY INSTRUCTION**  
**Power Right Side Reclining Chair**  
**with Power headrest**



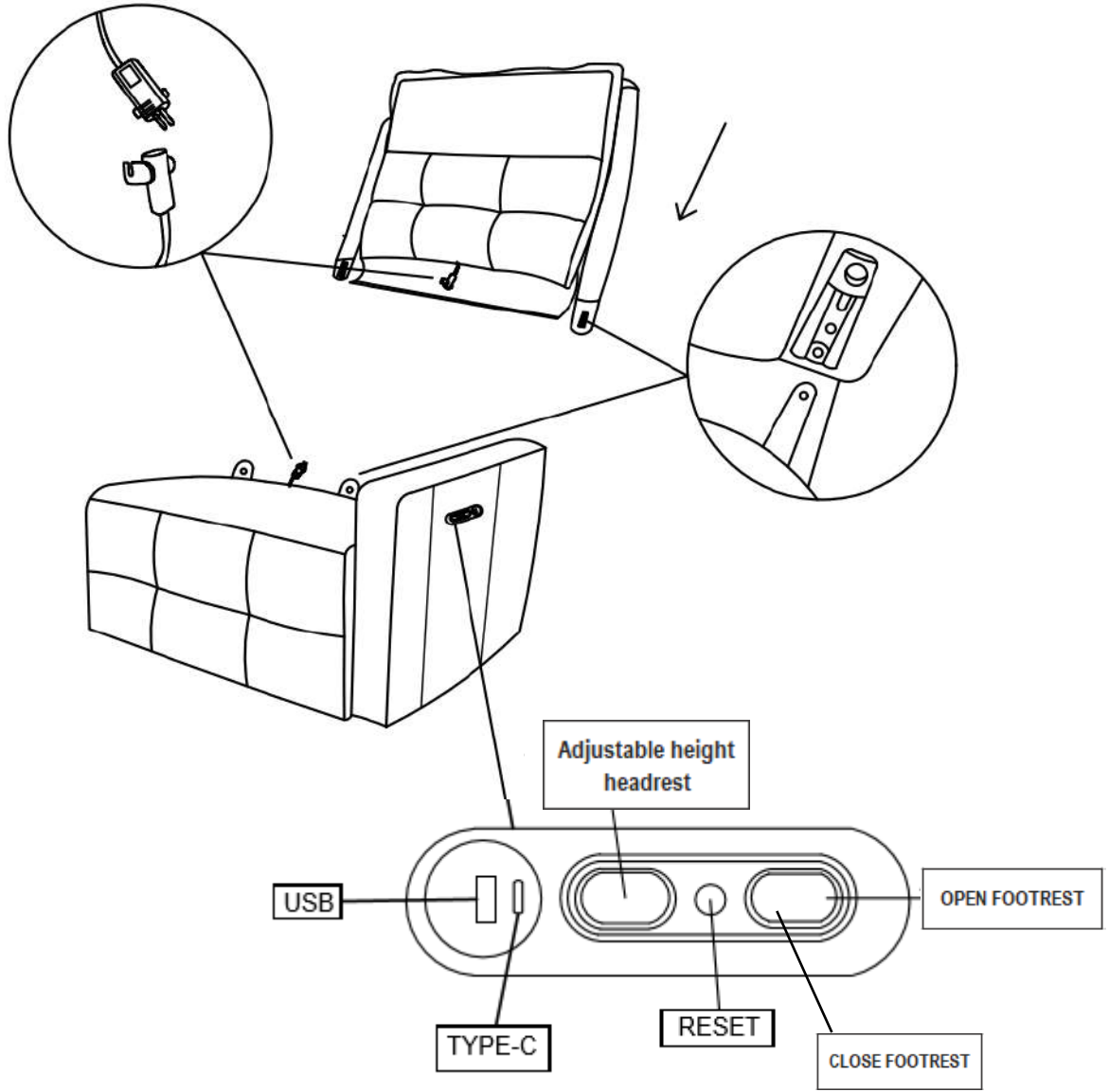
NOTE: Do not use power tools for assembly. The use of power tools increases the risk of over-tightening, which can result in wood splitting or cracking.



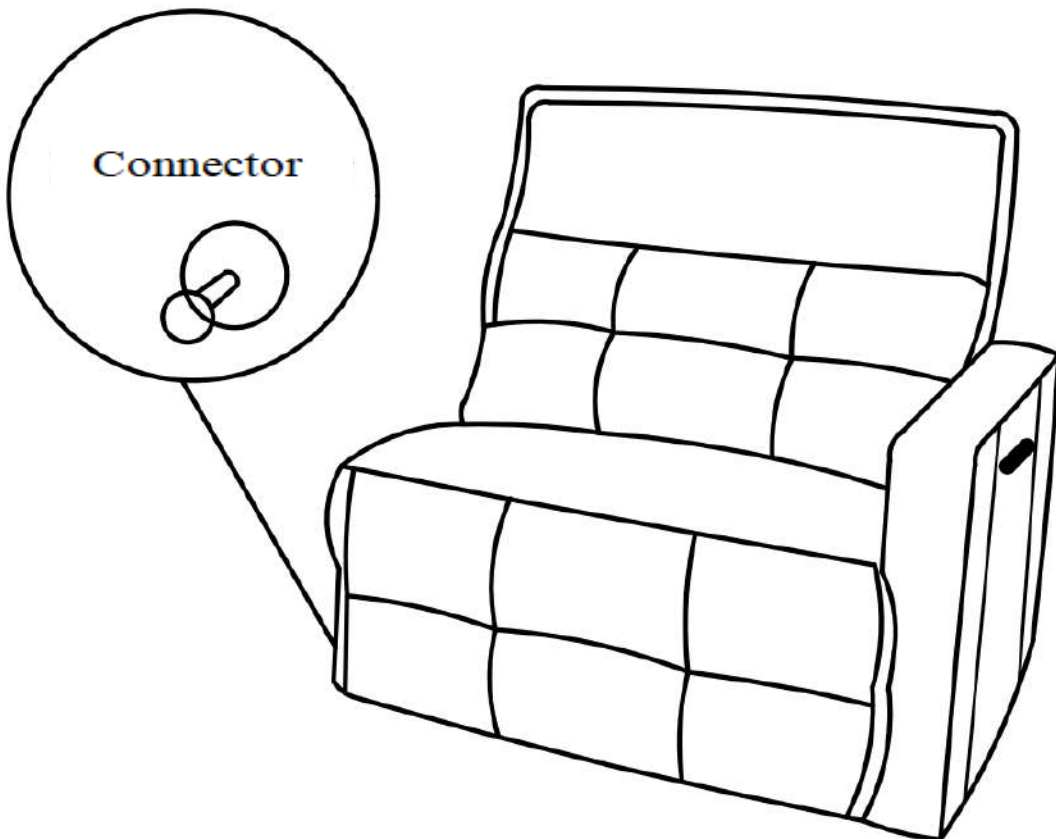
**Component list**

| No | Drawing   | Qty | Description  |
|----|---|-----|--------------|
| A  |  | 1   | Seat         |
| B  |  | 1   | Back Rest    |
| C  |  | 1   | Adaptor/Plug |

# Step #1

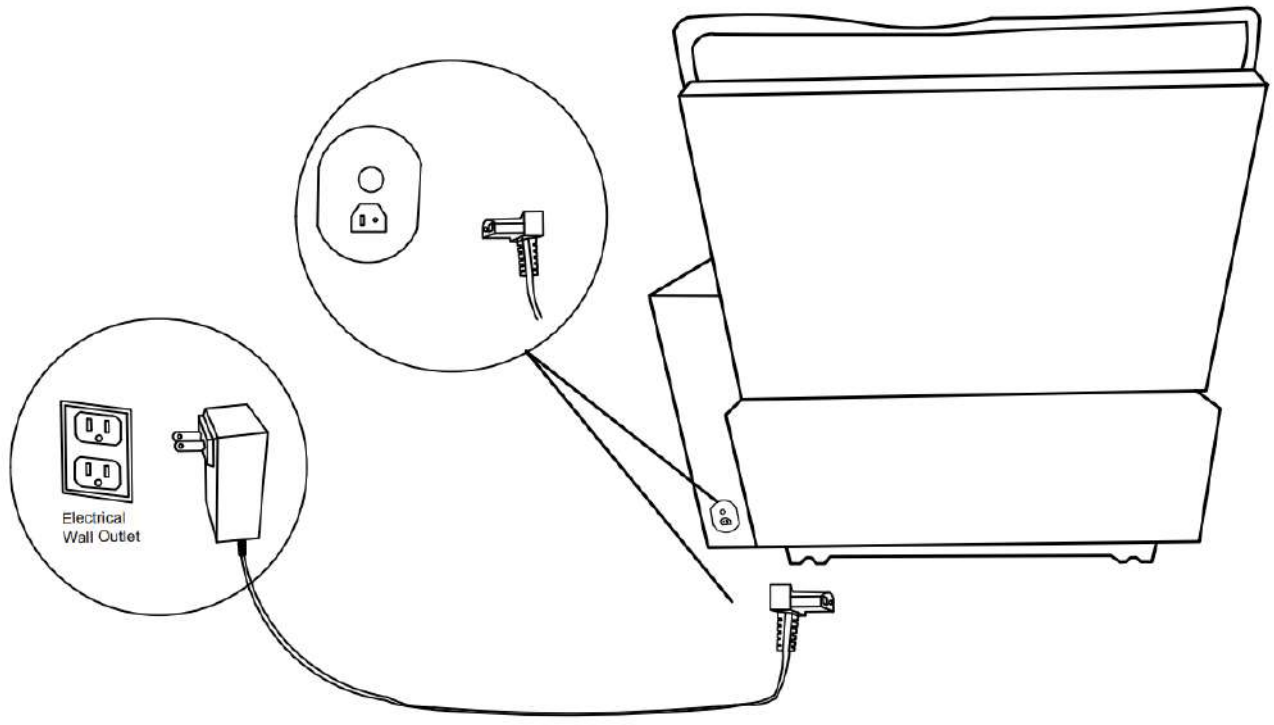


# Step #2

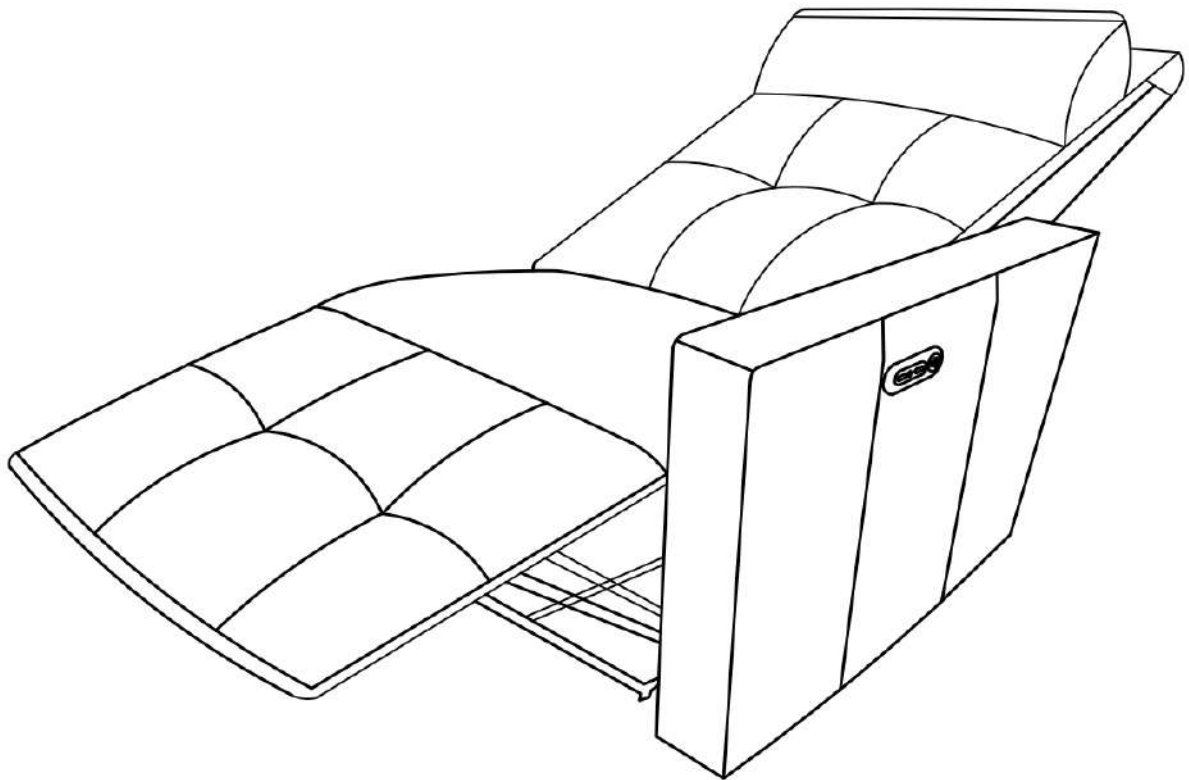




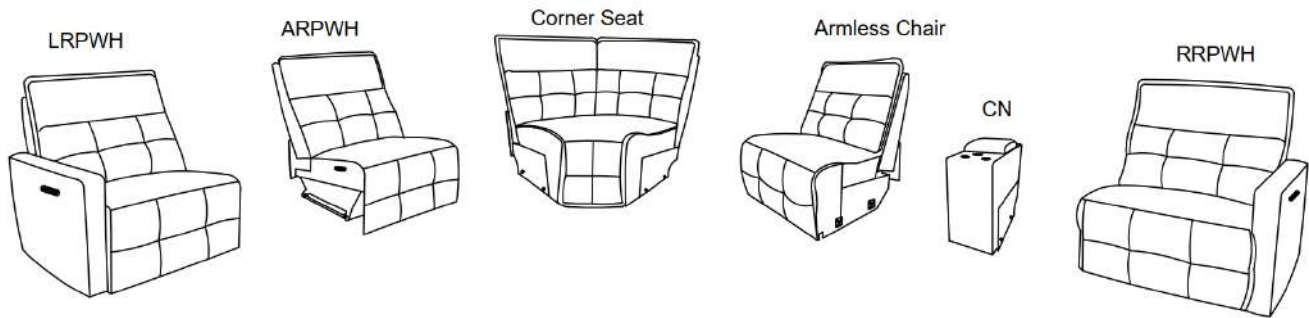
### Step #3



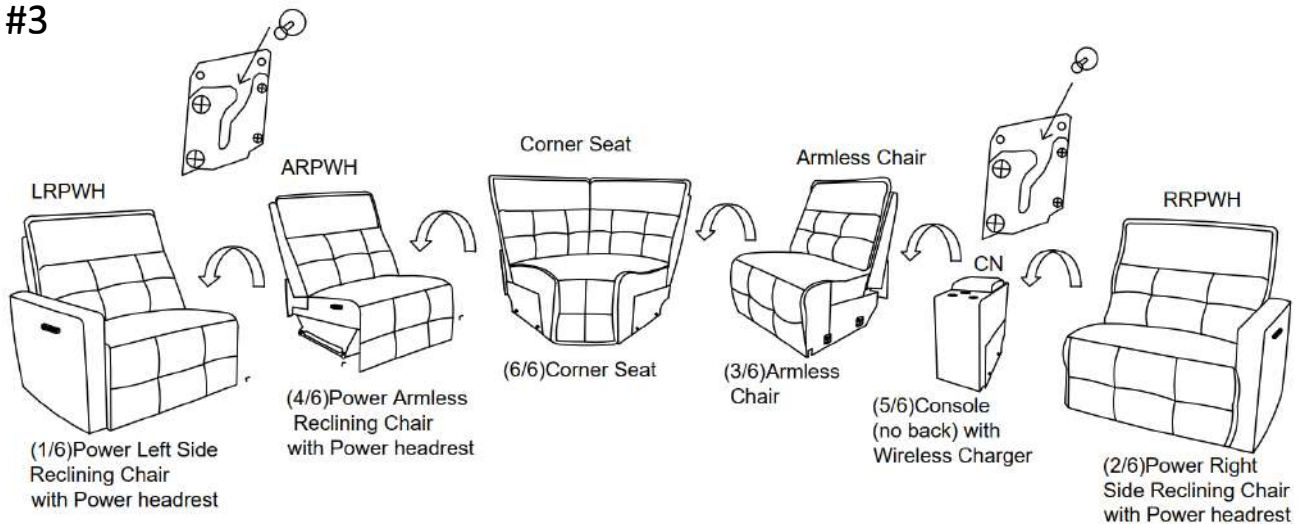
### Step #4



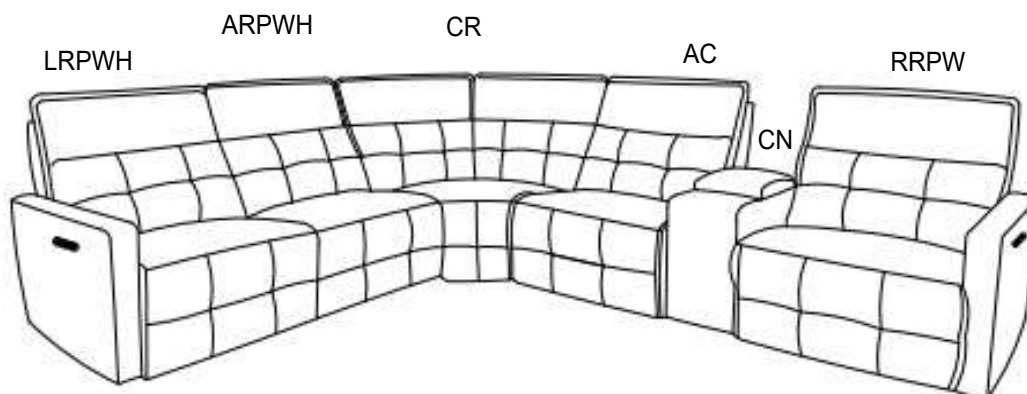
## Step #2



## Step #3



## Step #4



## Care Instruction for Textured polyester Furniture:

In order to maintain the original appearance of your textured polyester Furniture, please follow below simple care procedures:

- Avoid exposing furniture directly to sunlight or heating and air conditioning outlets. Sunlight and or exposure to heating and air conditioning outlets will fade/damage textured polyester.
- Vacuum or wipe with a soft cloth to remove dust.
- Hardware may loosen over time. Periodically check to make sure all connection are tight, Re-tighten if necessary.



For items use on wooden floor, hard surfaces or carpets, it is recommended to Install protective pads under all legs and supports to avoid/prevent from damages/scratches and discoloration.