

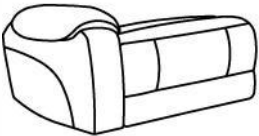
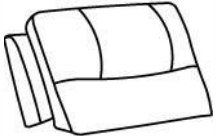
## Assembly Instruction

### ITEM NO: 194S9429TP-LRPWH



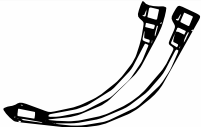
#### LSF POWER RECLINING CHAIR WITH POWER HEADREST & USB PORT

NOTE: Do not use power tools for assembly. Power tools increase the risk of over tightening which lead to splitting or cracking the wood.

#### COMPONENT LIST

NO.	DRAWING	QTY	DESCRIPTION
A		1PC	SEAT
B		1PC	BACK REST

#### HARDWARE LIST

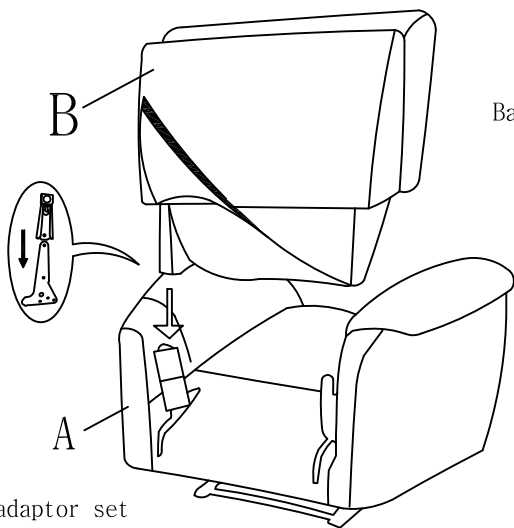
NO.	DRAWING	QTY	DESCRIPTION
1		1PC	ADAPTOR
2		1PC	PLUG WITH WIRE
3		1PC	Y-CABLE

#### NOTE:

\*ADAPTOR SET PACKED IN 194S9429TP-RRPWH or 194S9429TP-RCPW and 194S9429TP-LRPWH or 194S9429TP-LCPW.

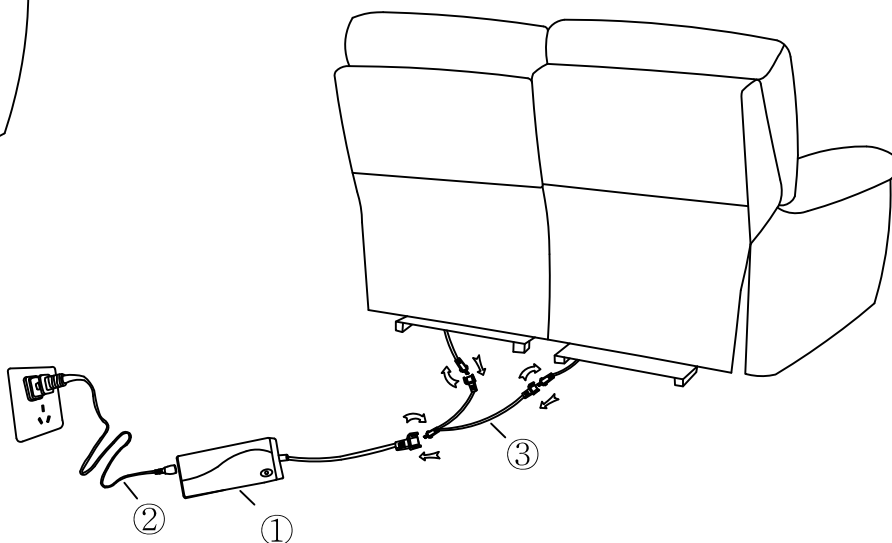
### Step#1

Align the female brackets at the back onto the male brackets at the seat then push to the end and make sure it is fixed in position securely.

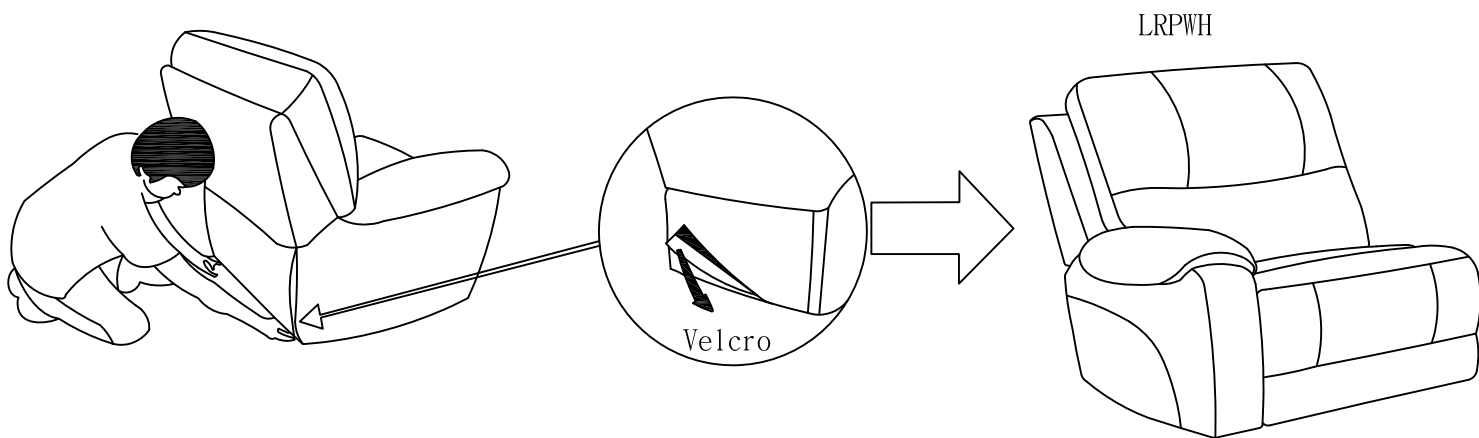


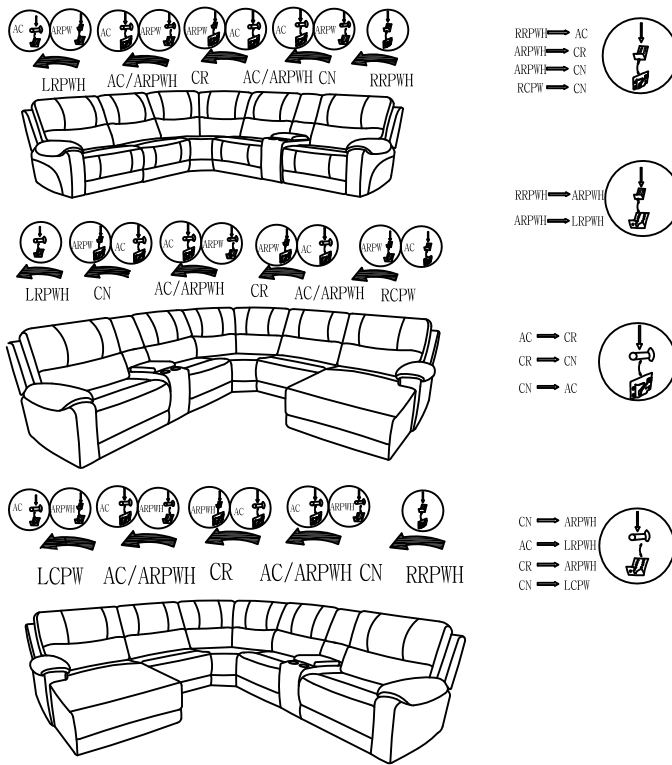
Back Rest Installation

Unpack adaptor set located at the bracket

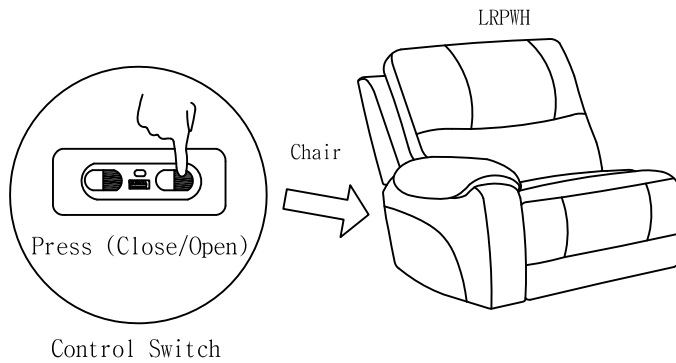


### Step#2





Step#4



CARE INSTRUCTION FOR LEATHER GEL

In order to maintain the original appearance of your leather gel, please follow below simple care procedure:

- Avoid exposing furniture directly to sunlight or heating and air conditioning outlets. Exposure to sunlight or heating and air conditioning outlets will fade/damage leather gel.
- Wipe gently with a damp soft cloth to remove dust, dirt and any grime build up.

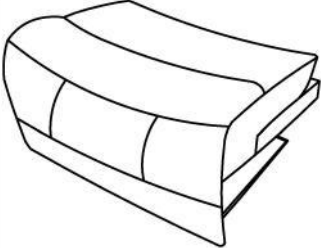
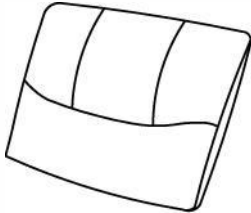


- Disconnect the electrical plug from the wall outlets before cleaning, moving, servicing or when not in use for an extended period of time.
- Plug directly into a wall outlet. Do not use an extension cord or adaptor.
- Check the condition of the power transformers, electrical cords, plugs and connectors monthly. Keep the power adaptor and electrical cords away from heat sources. Never operate the unit with a damaged power adaptor, electrical cord, plug or connector.
- Before moving the product, please disconnect the electrical plug from the wall outlet and secure the mechanism to prevent unexpected opening or movement. Never move the product by the mechanism, legrest, handle, or reclining back.
- Do not attempt to disassemble or service the adaptor or motor. No serviceable parts are inside.
- Do not allow electrical cord to be pinched between moving parts or between the frame and the floor. Do not place cord under carpet or in location where it could become worn.
- Unplug the power cord immediately if you detect strange odors or fumes coming from the chair.

**Assembly Instruction**  
**ITEM NO: 194S9429TP-AC**  
**ARMLESS CHAIR**

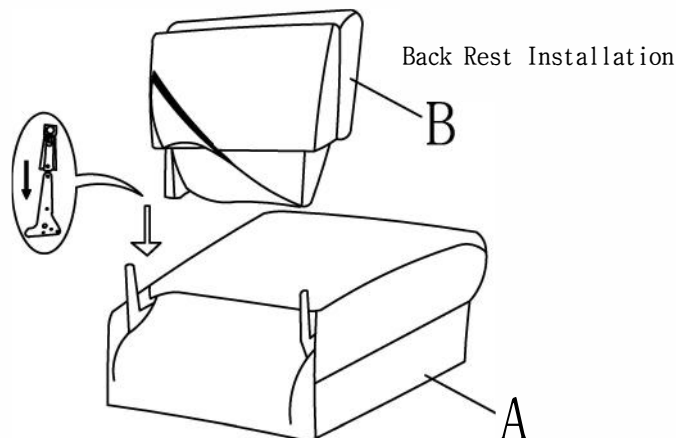
NOTE: Do not use power tools for assembly. Power tools increase the risk of over tightening which lead to splitting or cracking the wood.

COMPONENT LIST

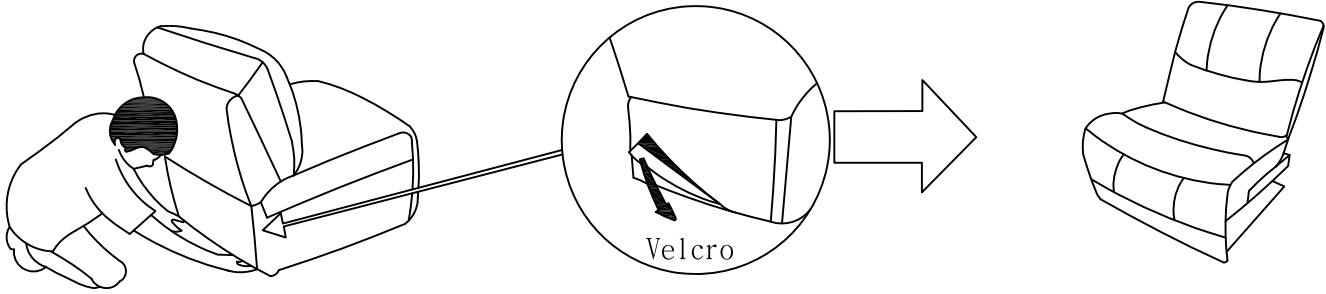
NO.	DRAWING	QTY	DESCRIPTION
A		1PC	SEAT
B		1PC	BACK REST

Step#1

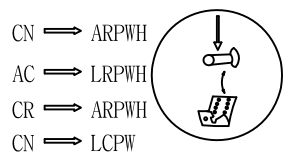
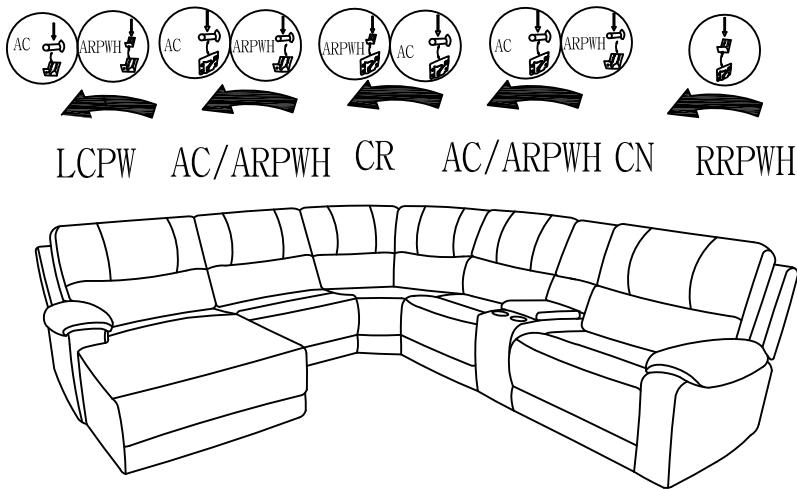
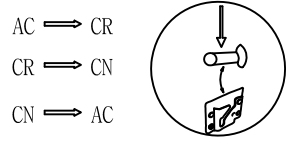
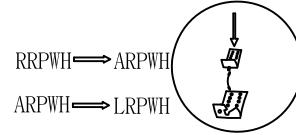
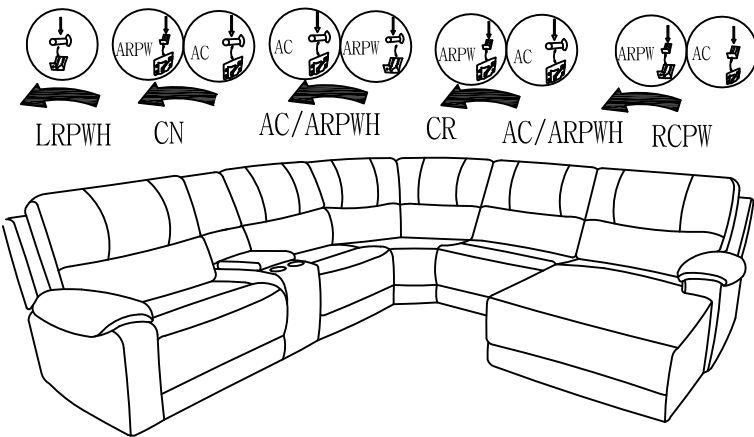
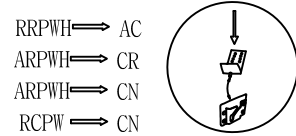
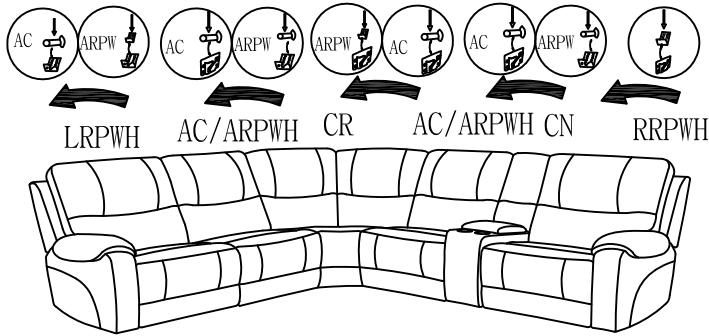
Align the female brackets at the back onto the male brackets at the seat, insert back rest to the seat then push to the end and make sure it is fixed in position securely.



Step#2



Step#3



CARE INSTRUCTION FOR LEATHER GEL

In order to maintain the original appearance of your leather gel, please follow below simple care procedure:

- Avoid exposing furniture directly to sunlight or heating and air conditioning outlets. Exposure to sunlight or heating and air conditioning outlets will fade/damage leather gel.
- Wipe gently with a damp soft cloth to remove dust, dirt and any grime build up.

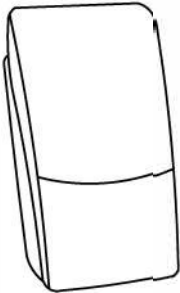
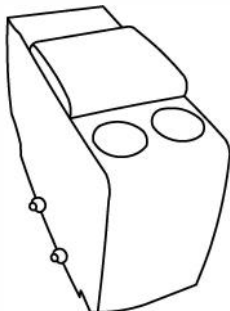
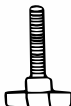
# Assembly Instruction

## ITEM NO: 194S9429TP-CN

### CONSOLE

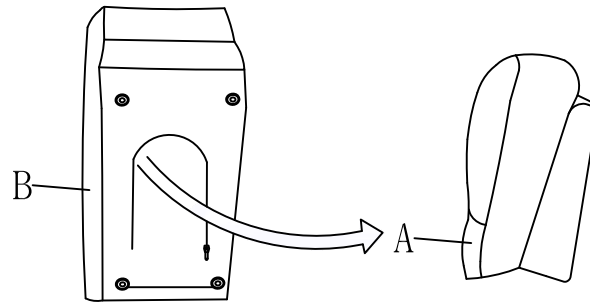
NOTE: Do not use power tools for assembly. Power tools increase the risk of over tightening which leads to splitting or cracking the wood.

#### COMPONENT LIST

NO.	DRAWING	QTY	DESCRIPTION
A		1PC	BACK REST
B		1PC	CONSOLE
C		2PC	BOLT

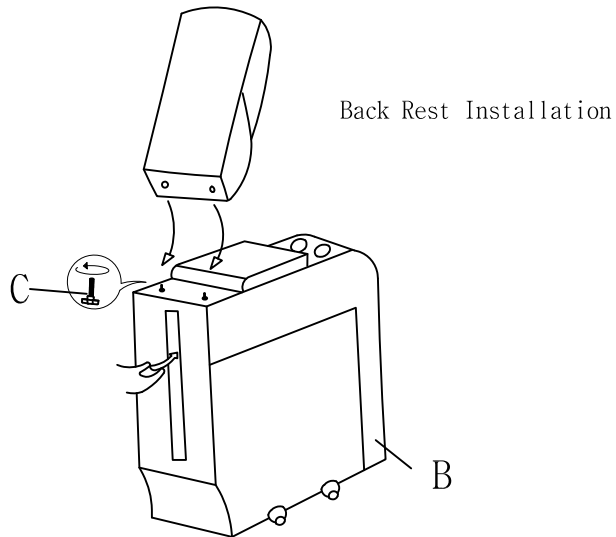
## Step#1

Console back rest is stored in non-woven bag and put in the bottom of console. Please take out for assembly.

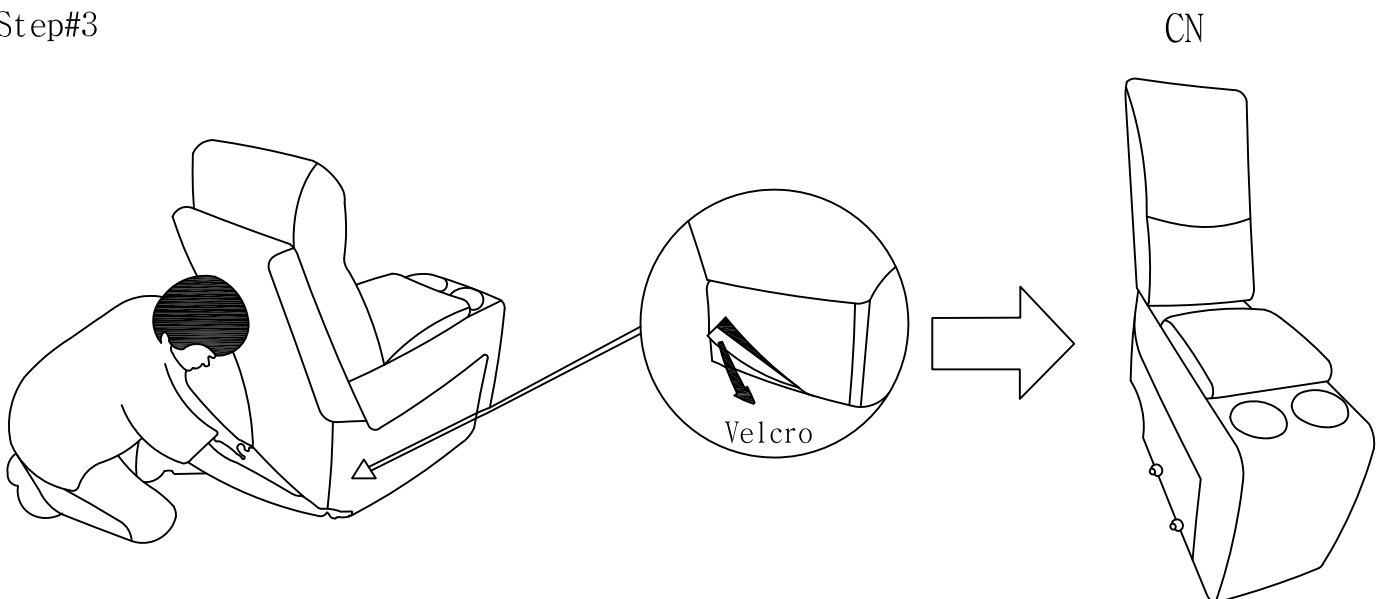


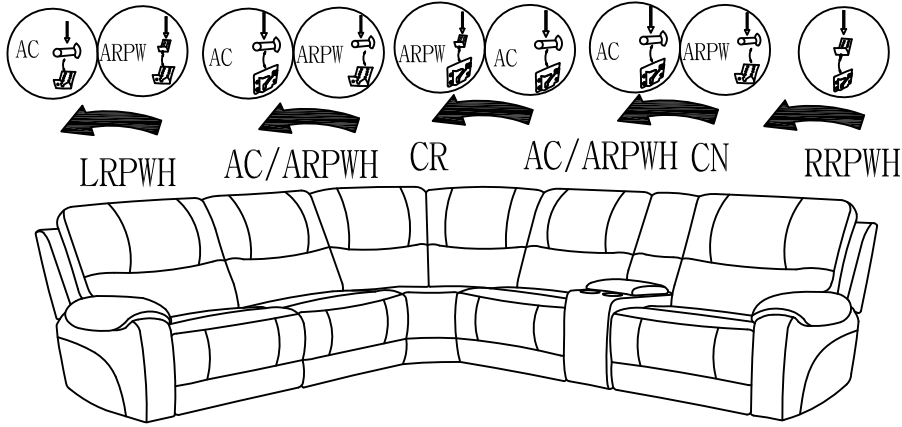
## Step#2

Please unzip the back of the console base and insert the bolts upward through the pre-drilled holes and align it through the holes on the bottom of the console back. Tighten each bolt by turning it counter-clockwise until the console back is secured in place.

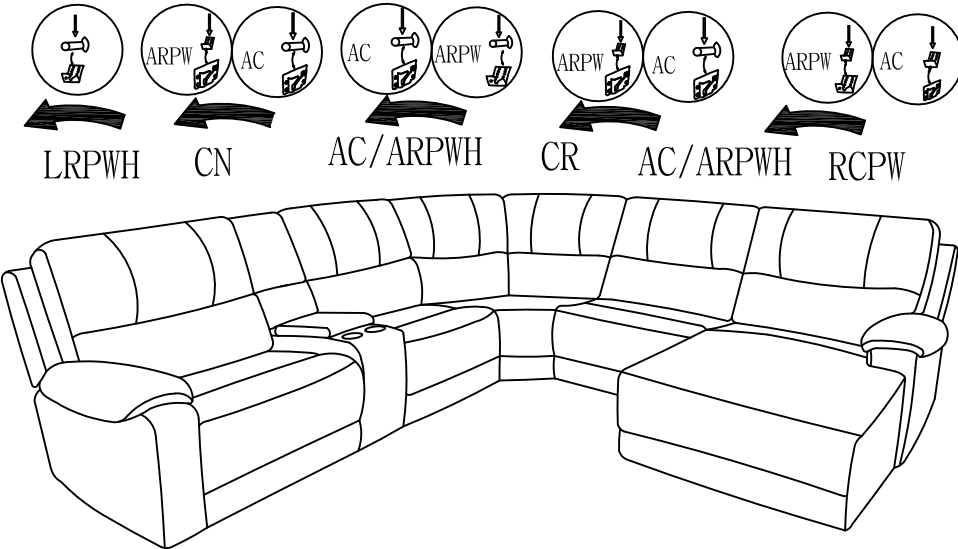
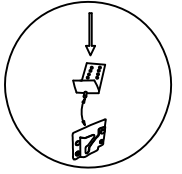


## Step#3

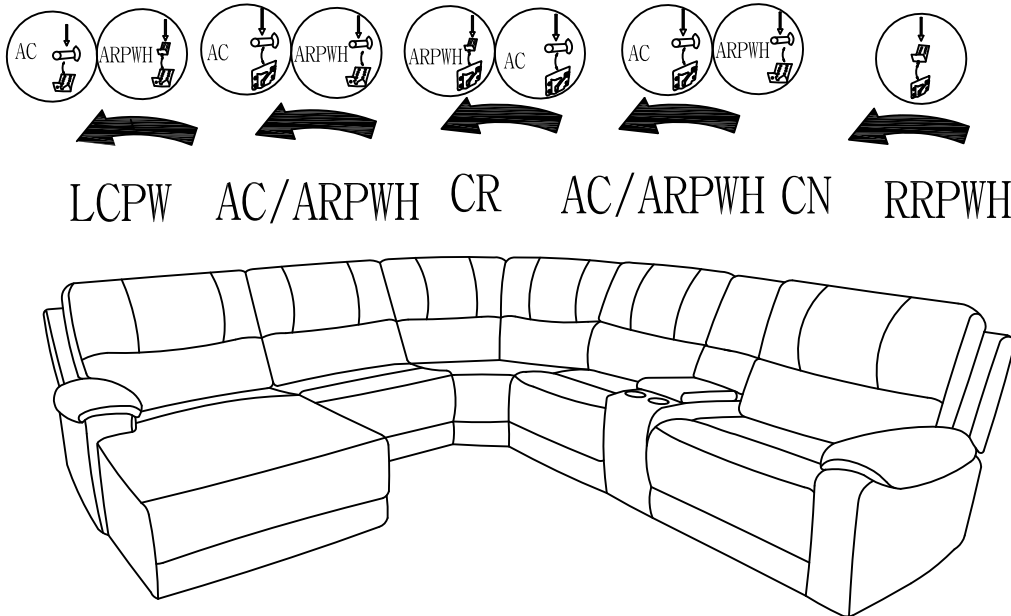
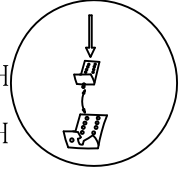




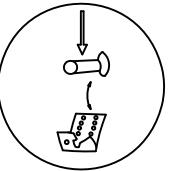
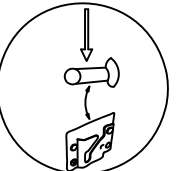
RRPWH → AC  
 ARPHW → CR  
 ARPHW → CN  
 RCPW → CN



RRPWH → ARPHW  
 ARPHW → LRPWH



CN → ARPHW  
 AC → LRPWH  
 CR → ARPHW  
 CN → LCPW



### CARE INSTRUCTION FOR LEATHER GEL

In order to maintain the original appearance of your leather gel, please follow below simple care procedure:

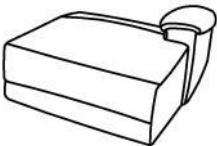
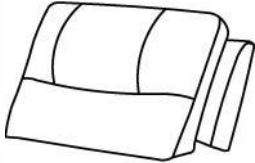
- Avoid exposing furniture directly to sunlight or heating and air conditioning outlets. Exposure to sunlight or heating and air conditioning outlets will fade/damage leather gel.
- Wipe gently with a damp soft cloth to remove dust, dirt and any grime build up.





**Assembly Instruction**  
**ITEM NO: 194S9429TP-RCPW**  
*RSF POWER RECLINING CHAISE WITH USB*  
*PORT*

NOTE: Do not use power tools for assembly. Power tools increase the risk of over tightening which lead to splitting or cracking the wood.

### COMPONENT LIST

NO.	DRAWING	QTY	DESCRIPTION
A		1PC	SEAT
B		1PC	BACK REST

### HARDWARE LIST

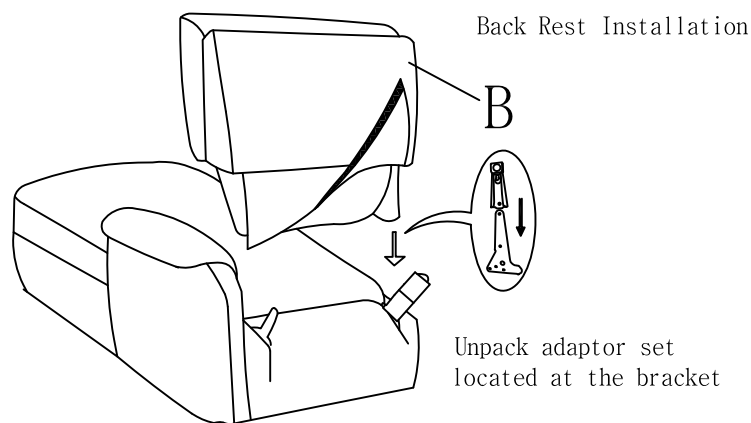
NO.	DRAWING	QTY	DESCRIPTION
1		1PC	ADAPTOR
2		1PC	PLUG WITH WIRE

NOTE:

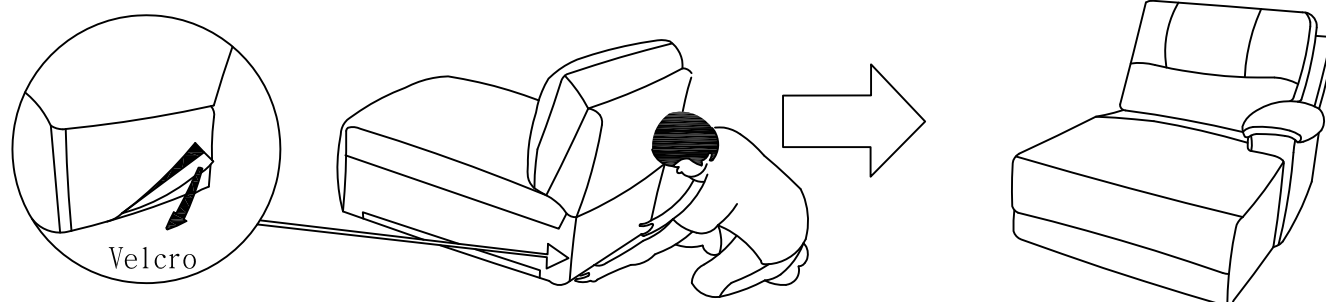
\*ADAPTOR SET PACKED IN 194S9429TP-RRPWH or 194S9429TP-RCPW and 194S9429TP-LRPWH or 194S9429TP-LCPW.

## Step#1

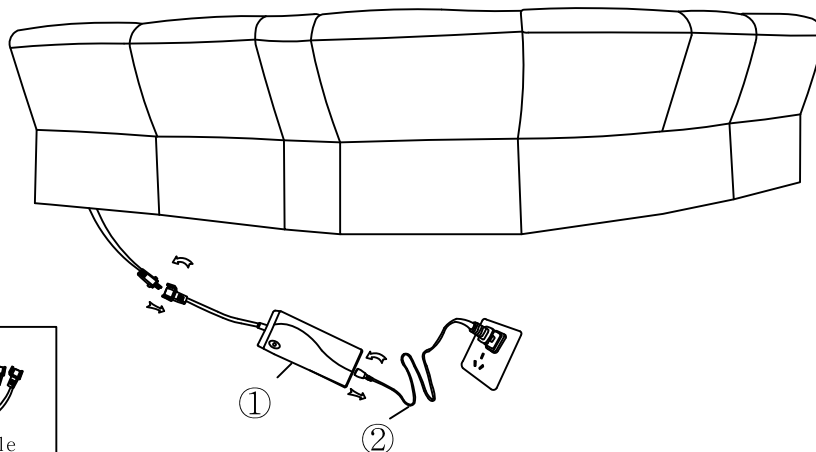
Align the female brackets at the back onto the male brackets at the seat, insert back rest to the seat then push to the end and make sure it is fixed in position securely.



## Step#2

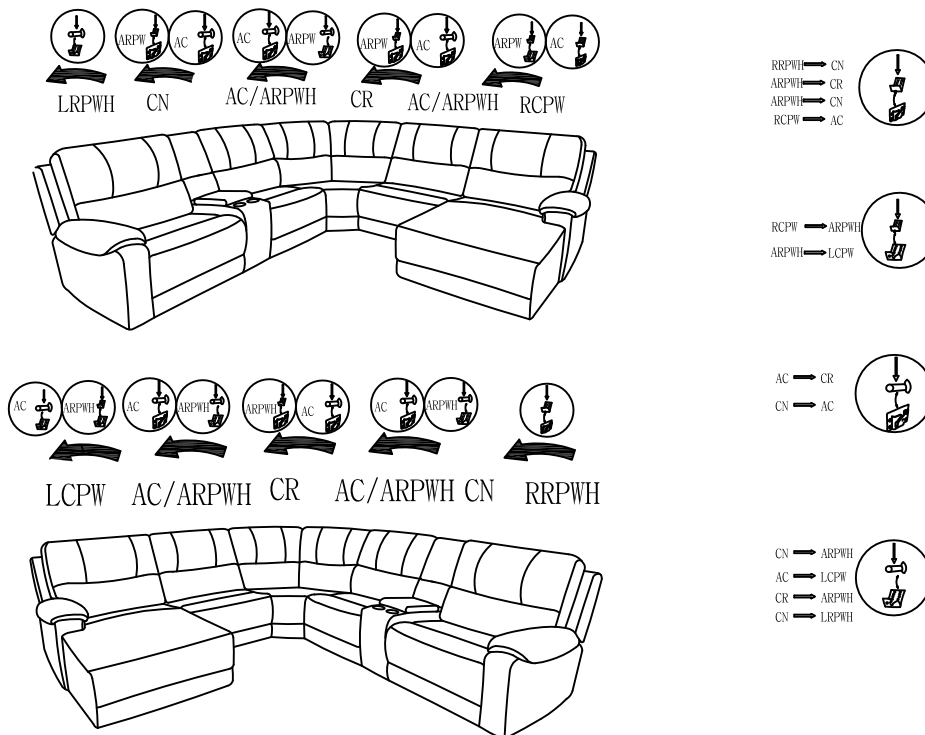


## Step#3

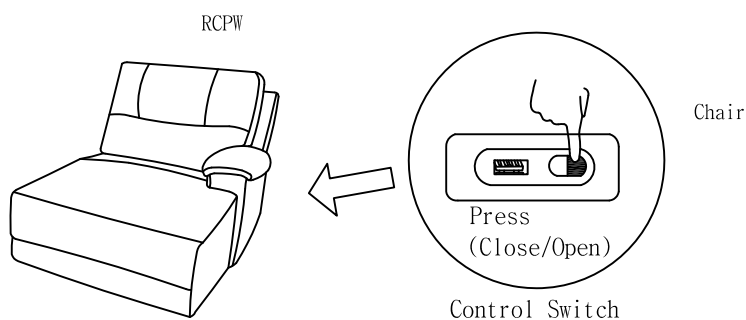


## REMARK:

\*Adaptor set and Y cable are packed in LRPW for sectional combination with RRPW.



Step#5



CARE INSTRUCTION FOR LEATHER GEL

In order to maintain the original appearance of your leather gel, please follow below simple care procedure:

- Avoid exposing furniture directly to sunlight or heating and air conditioning outlets. Exposure to sunlight or heating and air conditioning outlets will fade/damage leather gel.
- Wipe gently with a damp soft cloth to remove dust, dirt and any grime build up.



- Disconnect the electrical plug from the wall outlets before cleaning, moving, servicing or when not in use for an extended period of time.
- Plug directly into a wall outlet. Do not use an extension cord or adaptor.
- Check the condition of the power transformers, electrical cords, plugs and connectors monthly. Keep the power adaptor and electrical cords away from heat sources. Never operate the unit with a damaged power adaptor, electrical cord, plug or connector.
- Before moving the product, please disconnect the electrical plug from the wall outlet and secure the mechanism to prevent unexpected opening or movement. Never move the product by the mechanism, legrest, handle, or reclining back.
- Do not attempt to disassemble or service the adaptor or motor. No serviceable parts are inside.
- Do not allow electrical cord to be pinched between moving parts or between the frame and the floor. Do not place cord under carpet or in location where it could become worn.
- Unplug the power cord immediately if you detect strange odors or fumes coming from the chair.

PLEASE KEEP ASSEMBLY INSTRUCTION FOR FUTURE REFERENCE