

**ASSEMBLY INSTRUCTION**

**ITEM NO.: 194S9367BU/DG/GY-3**

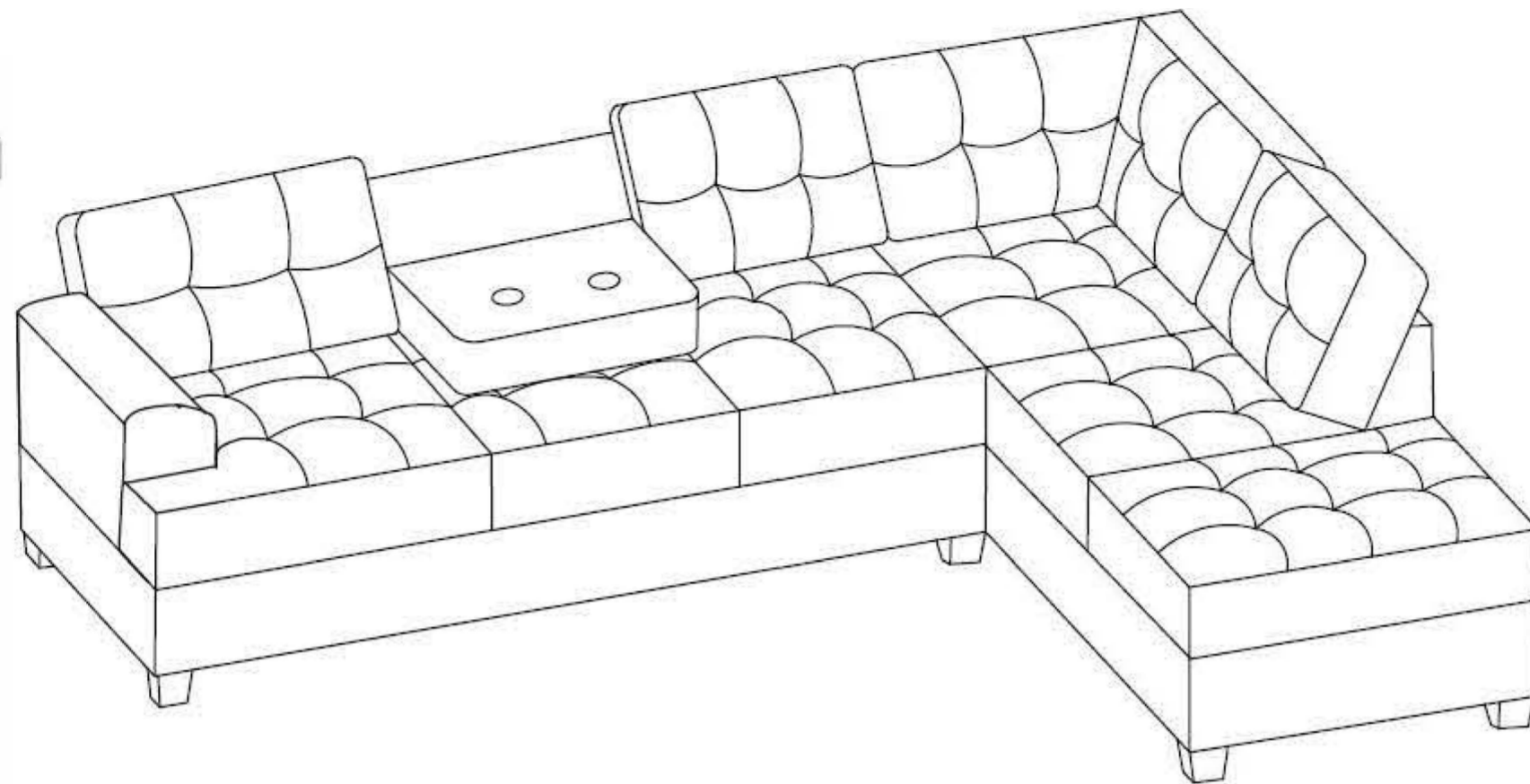
(1/2) Reversible 3-seater with Drop-Down Cup holder

**ITEM NO.: 194S9367BU/DG/GY-5**

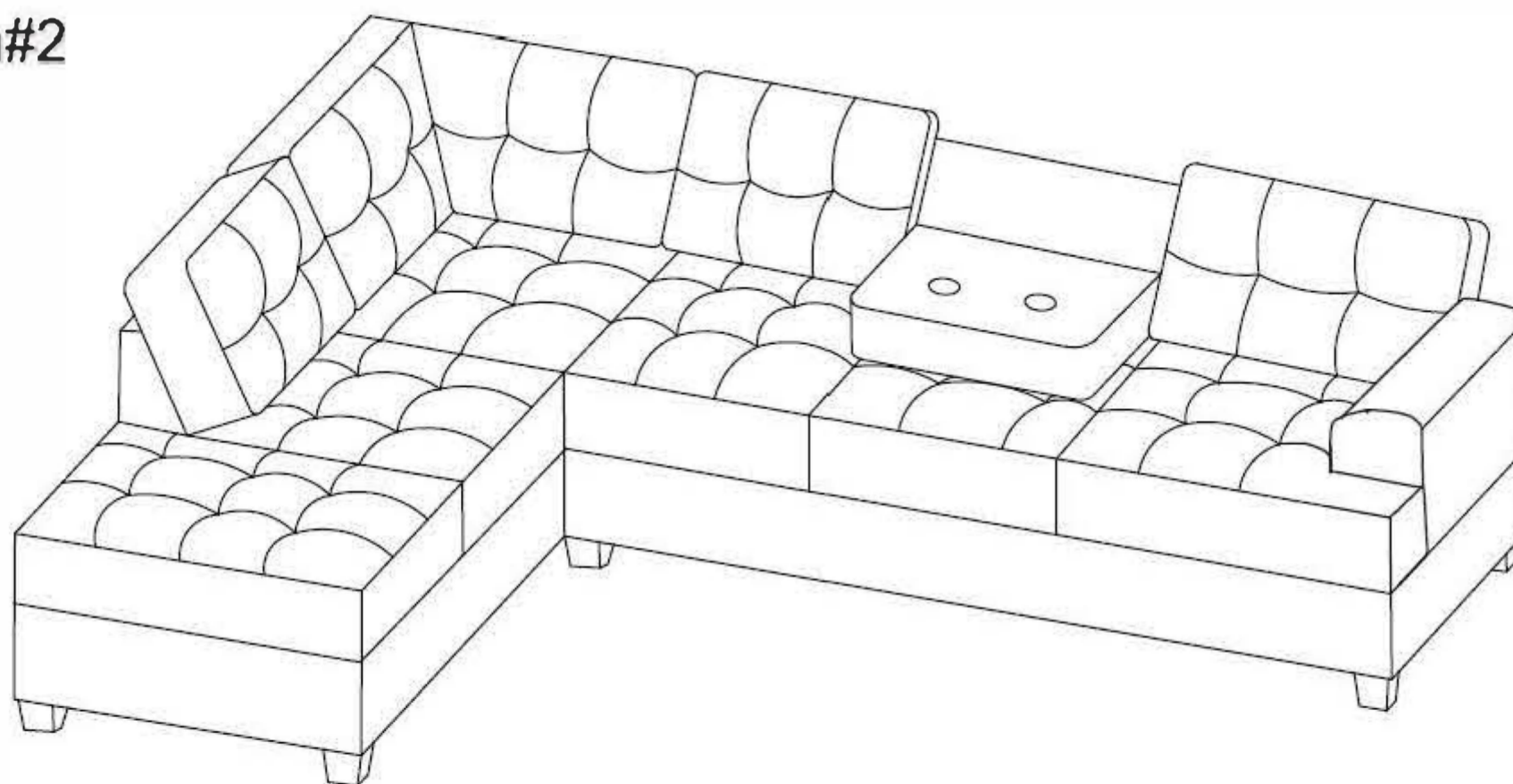
(2/2) Reversible Chaise

Sectional can be assembled with right side facing chaise (configuration #1) or left side facing chaise (configuration #2) . See instructions below.

Configuration#1



Configuration#2



**CARE INSTRUCTION FOR LINEN LIKE FURNITURE:**

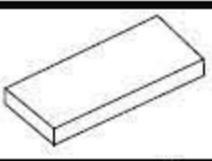



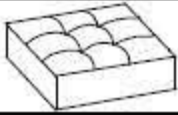
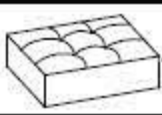
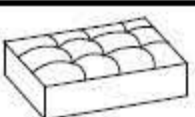
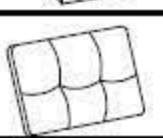
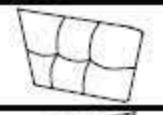
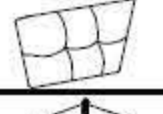
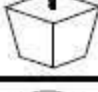




In order to maintain the original appearance of your linen like furniture, please follow below care procedures:

- Avoid exposing furniture directly to sunlight or heating and air conditioning outlets. Sunlight and / or exposure to heating and air conditioning outlets will fade/damage linen like. Do not place your upholstered furniture too close to windows, radiators, or vents, and be sure to use window treatments to block the sun's rays.
- Vacuum or wipe with a soft cloth regularly to remove dust.

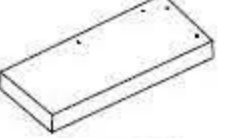
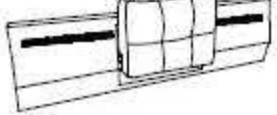
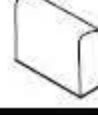
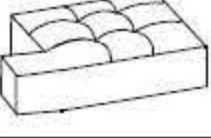

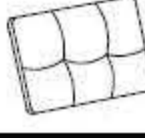
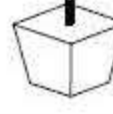



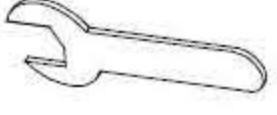



For items use on wooden floor, hard surfaces or carpets, it is recommended to Install protective pads under all legs and supports to avoid/prevent from damages/scratches and discoloration.

**-5 CHAISE COMPONENT LIST**

NO.	DRAWING	QTY	DESCRIPTION
A		1	CHAISE SEAT
B		1	CHAISE BACK REST
C		1	BACK CORNER
D		1	SIDE CHAISE BACK REST
E1		1	REAR SEAT CUSHION
E2		1	MIDDLE SEAT CUSHION
E3		1	FRONT SEAT CUSHION
F1		1	FRONT BACK CUSHION
F2		1	MIDDLE BACK CUSHION
F3		1	REAR BACK CUSHION
G		4	PLASTIC LEG 100*100*80MM
H		4	FLAT WASHER $\phi$ 5/16" X 22MM
I		4	NUT $\phi$ 5/16" X 12MM
J		4	BOLT $\phi$ 5/16" X 90MM
K		1	OPEN WRENCH

**-3 SEATER COMPONENT LIST**

NO.	DRAWING	QTY	DESCRIPTION
M		1	3-SEATER SEAT
N		1	BACK REST WITH MIDDLE BACK CUSHION
O		1	ARM
S		1	3-SEATER SEAT CUSHION
P		2	3-SEATER SEAT CUSHION (MIDDLE)
Q		2	3-SEATER BACK CUSHION
G		4	PLASTIC LEG 100*100*80MM
H		5	FLAT WASHER $\phi$ 5/16" X 22MM
I		5	NUT $\phi$ 5/16" X 12MM
J		5	BOLT $\phi$ 5/16" X 90MM
K		1	OPEN WRENCH
L		2	METAL CONNECTOR

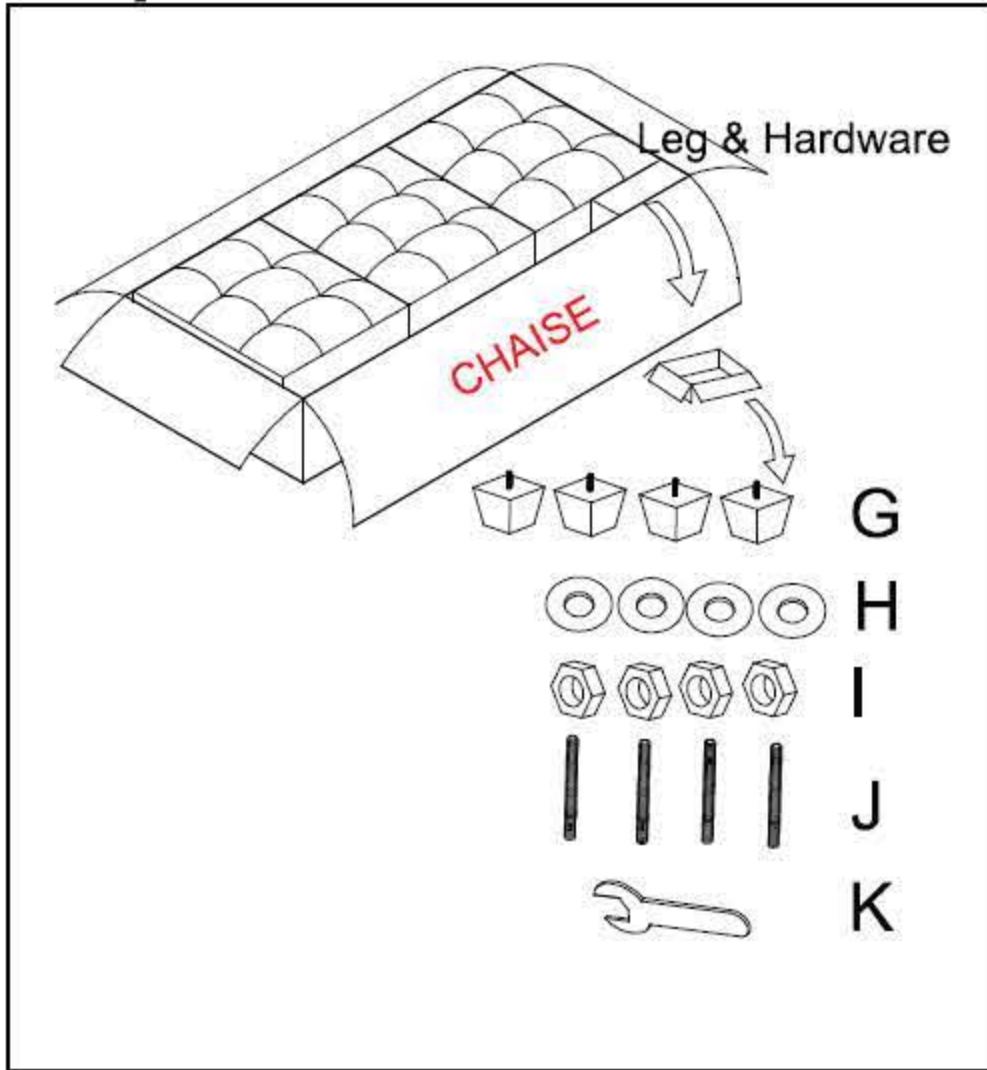
**OPTION1**

Please follow the drawings below to assemble the item.

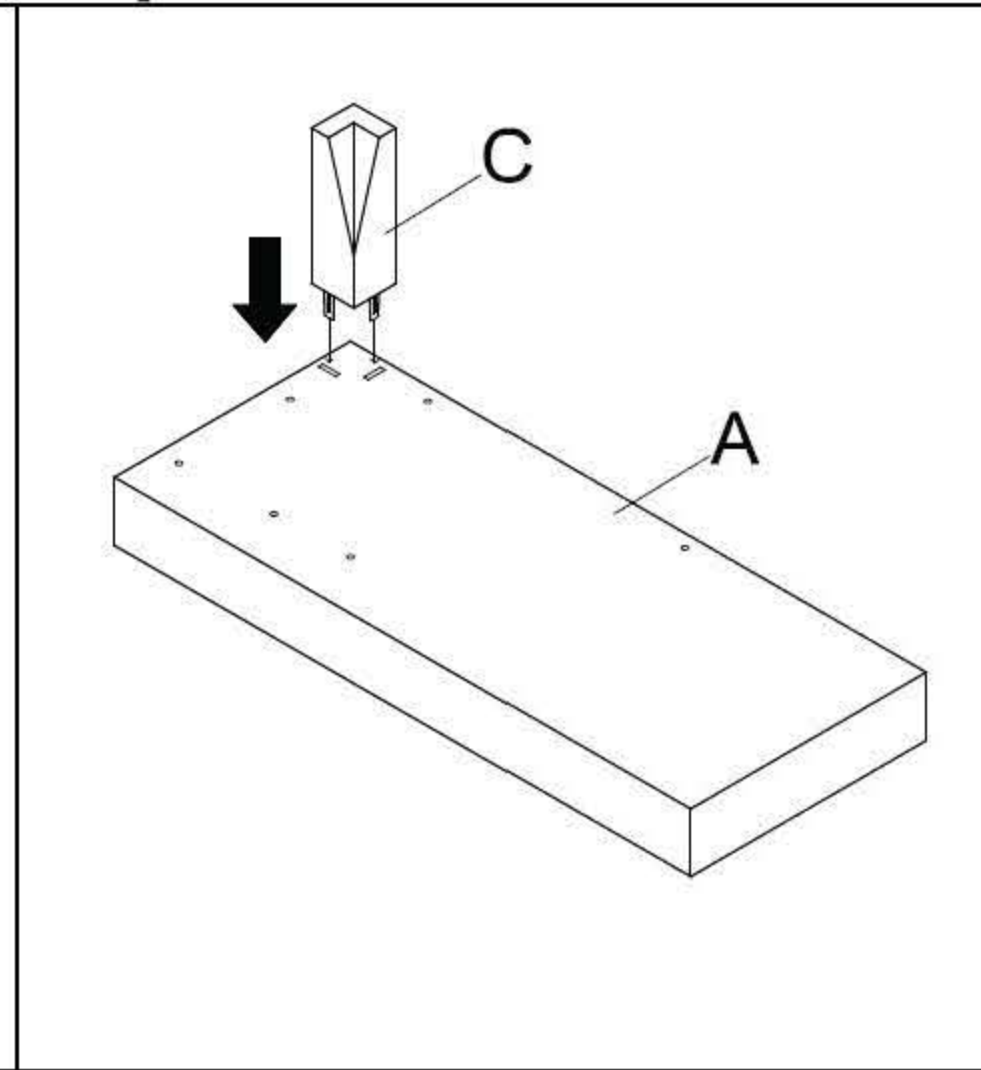
Legs and hardware are stored in small carton box as shown in drawing, please take out for assembly.

**CHAISE ASSEMBLY**

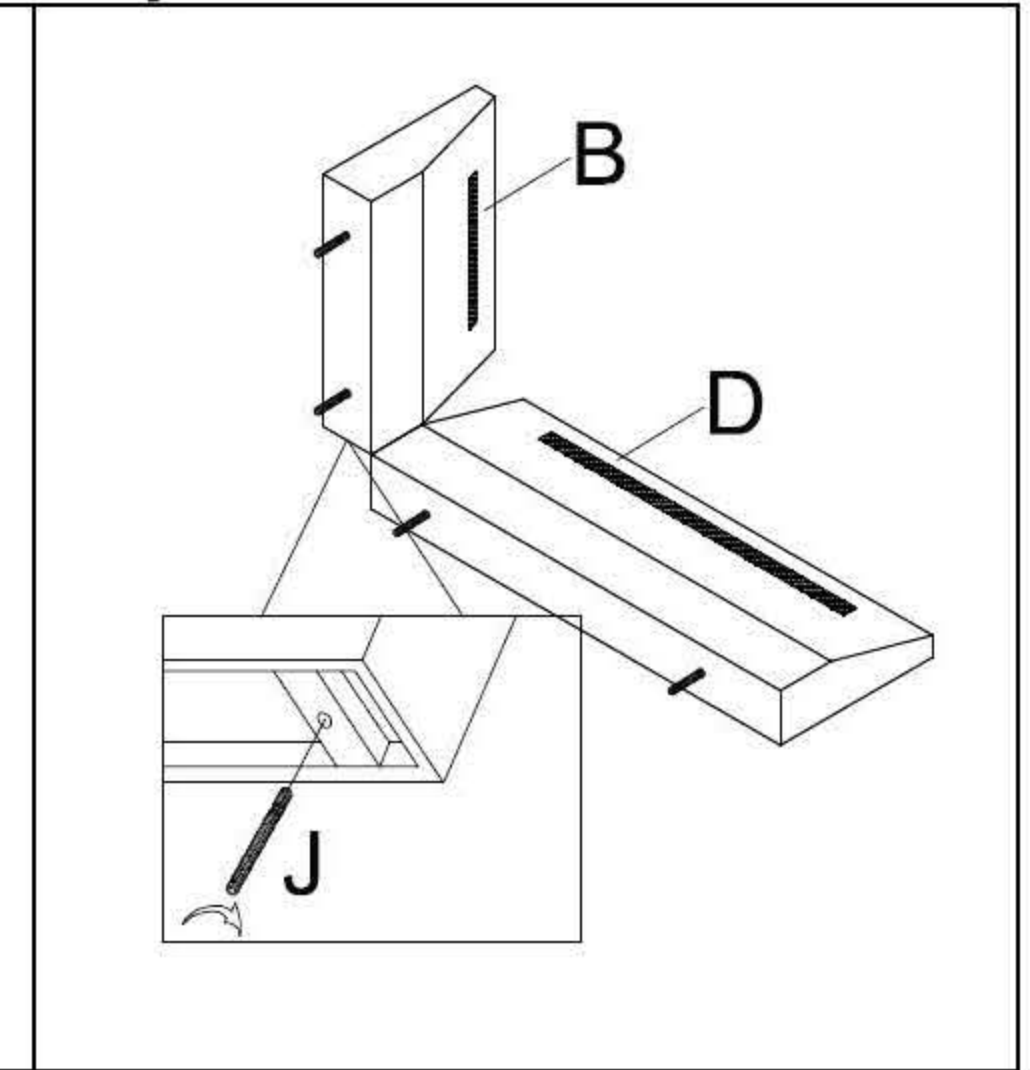
**Step 1**



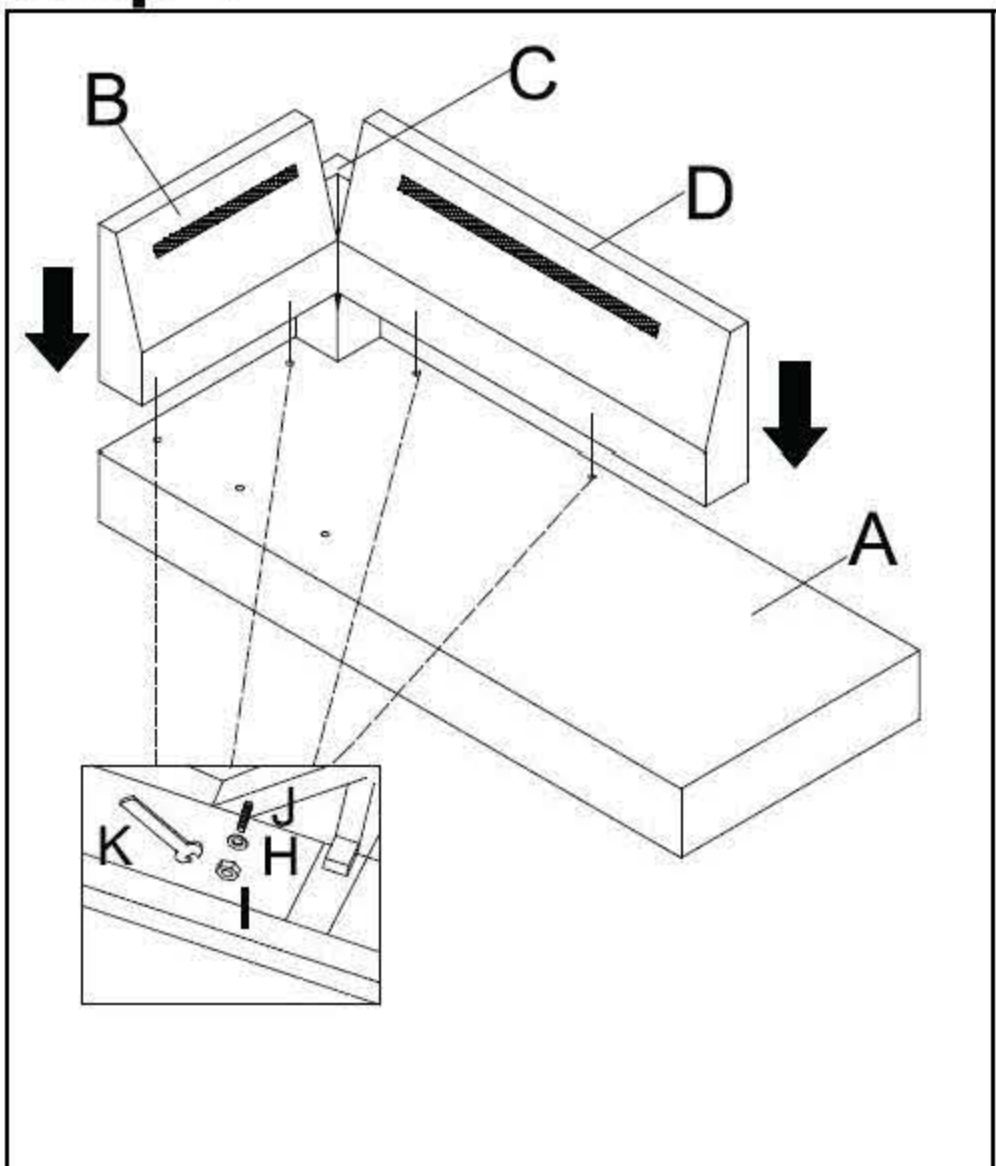
**Step 2**



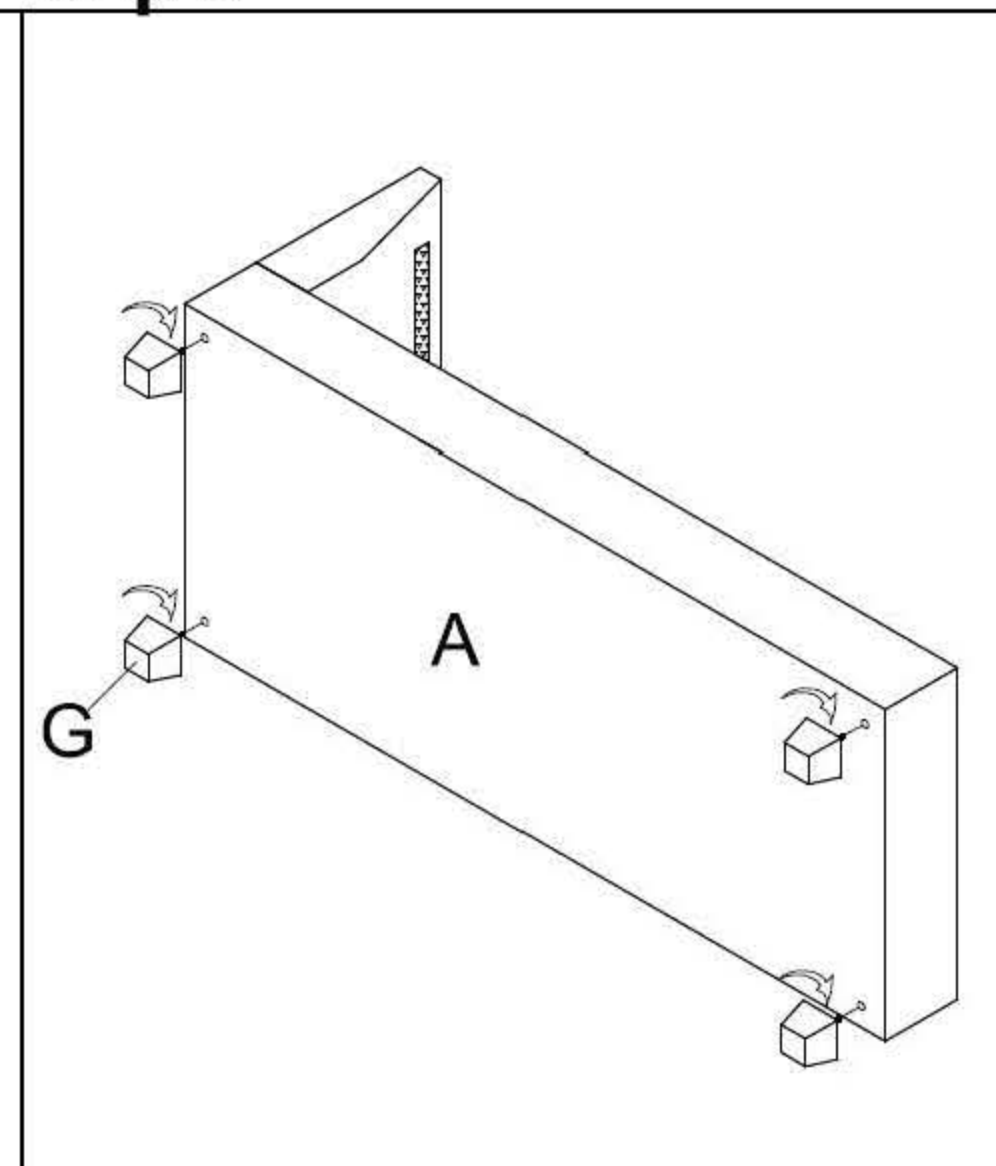
**Step 3**



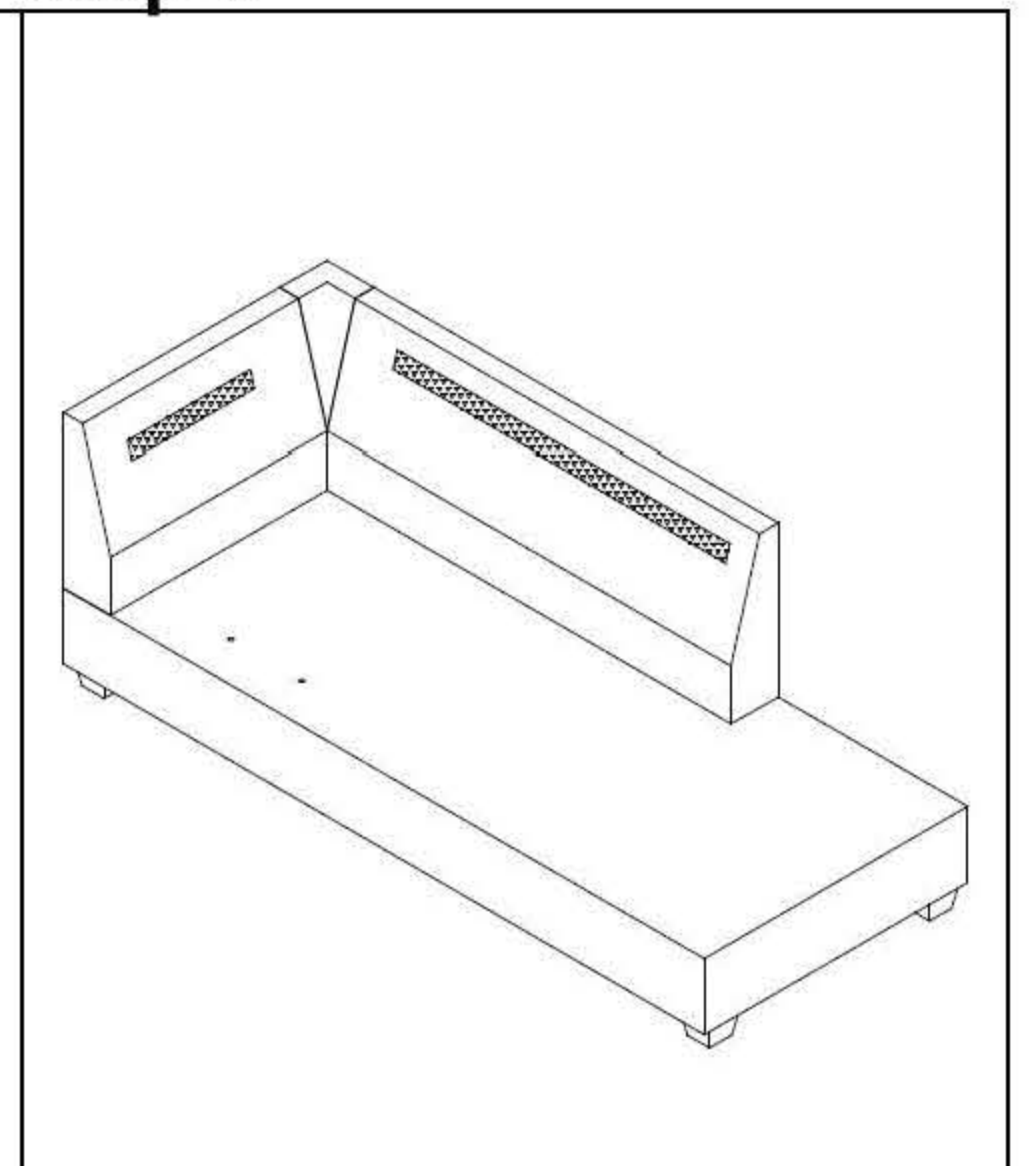
**Step 4**



**Step 5**

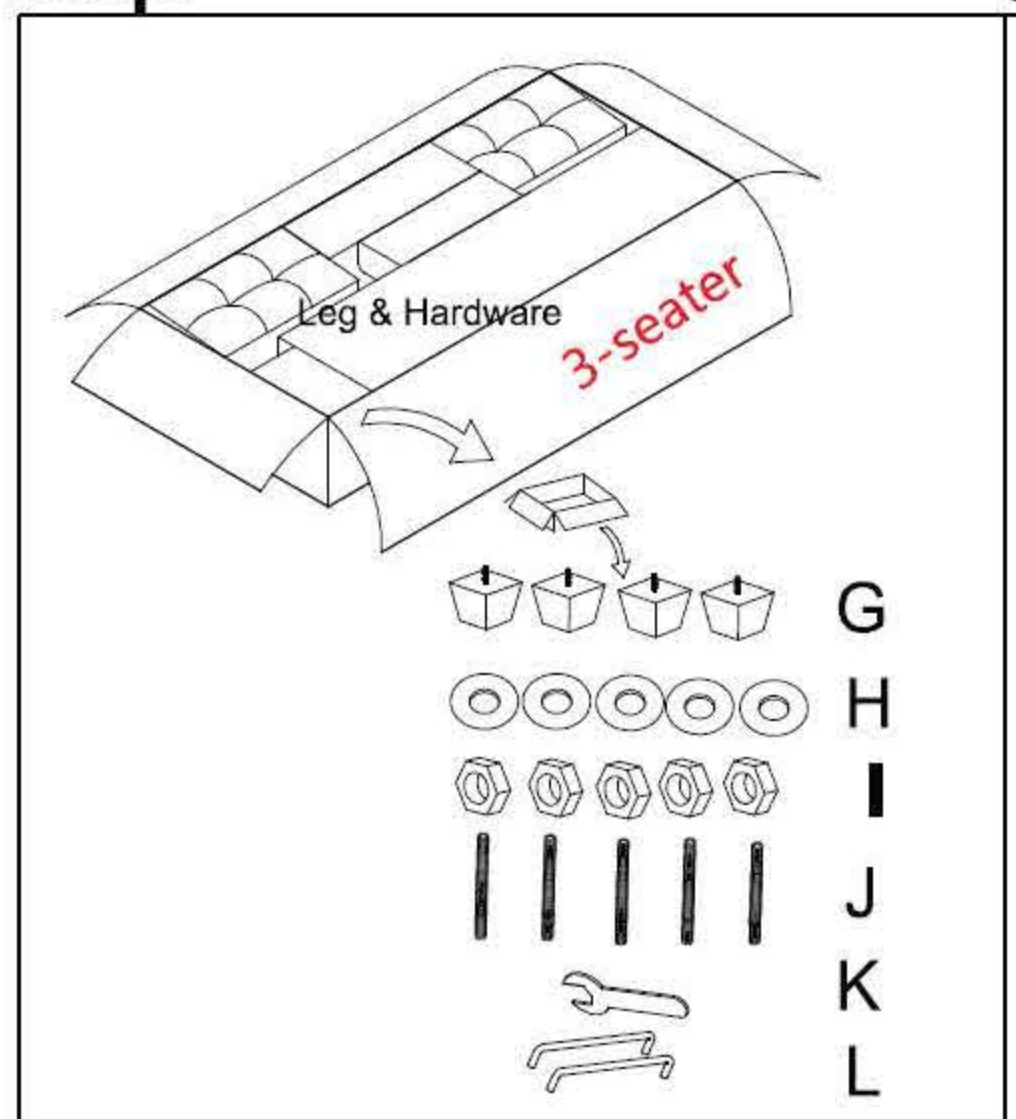


**Step 6**

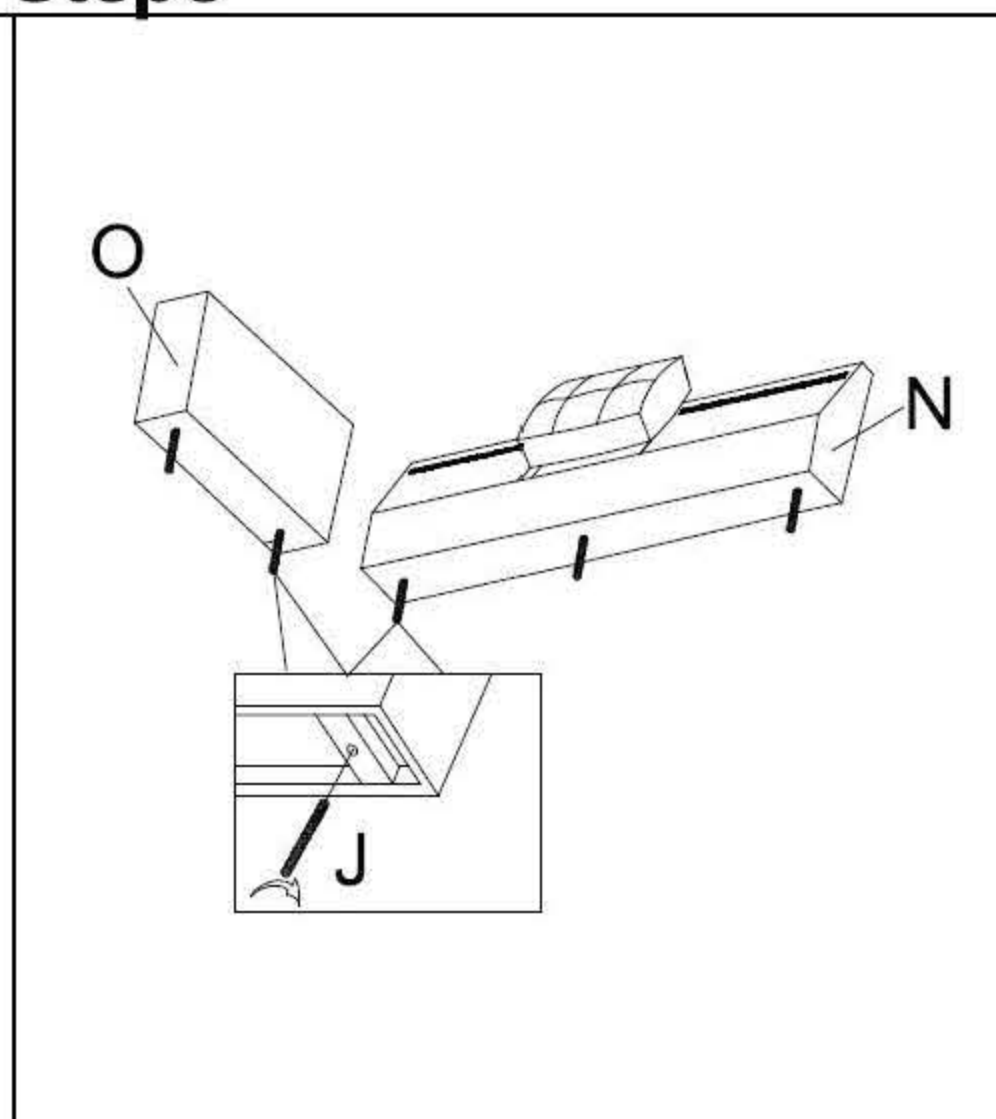


**3 SEATER ASSEMBLY**

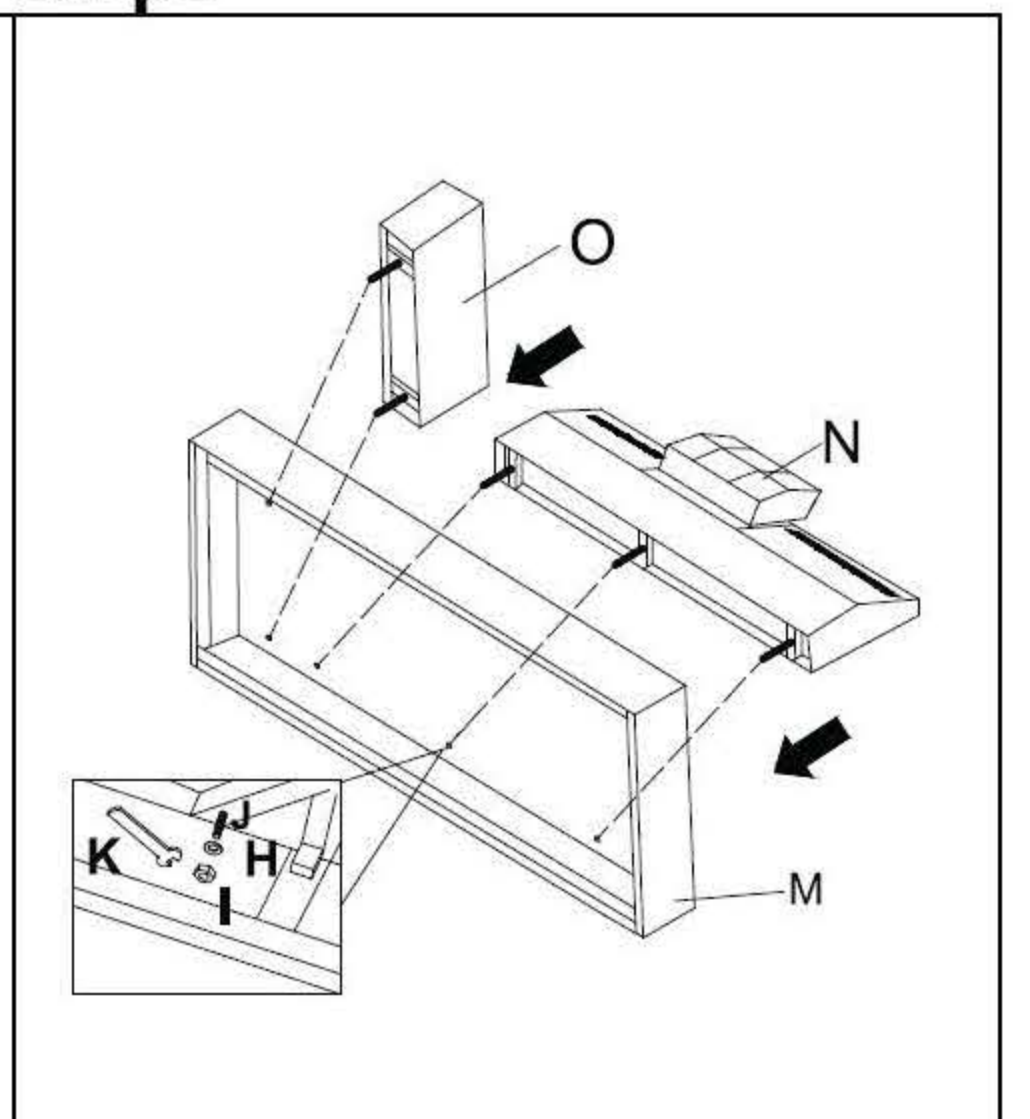
**Step7**



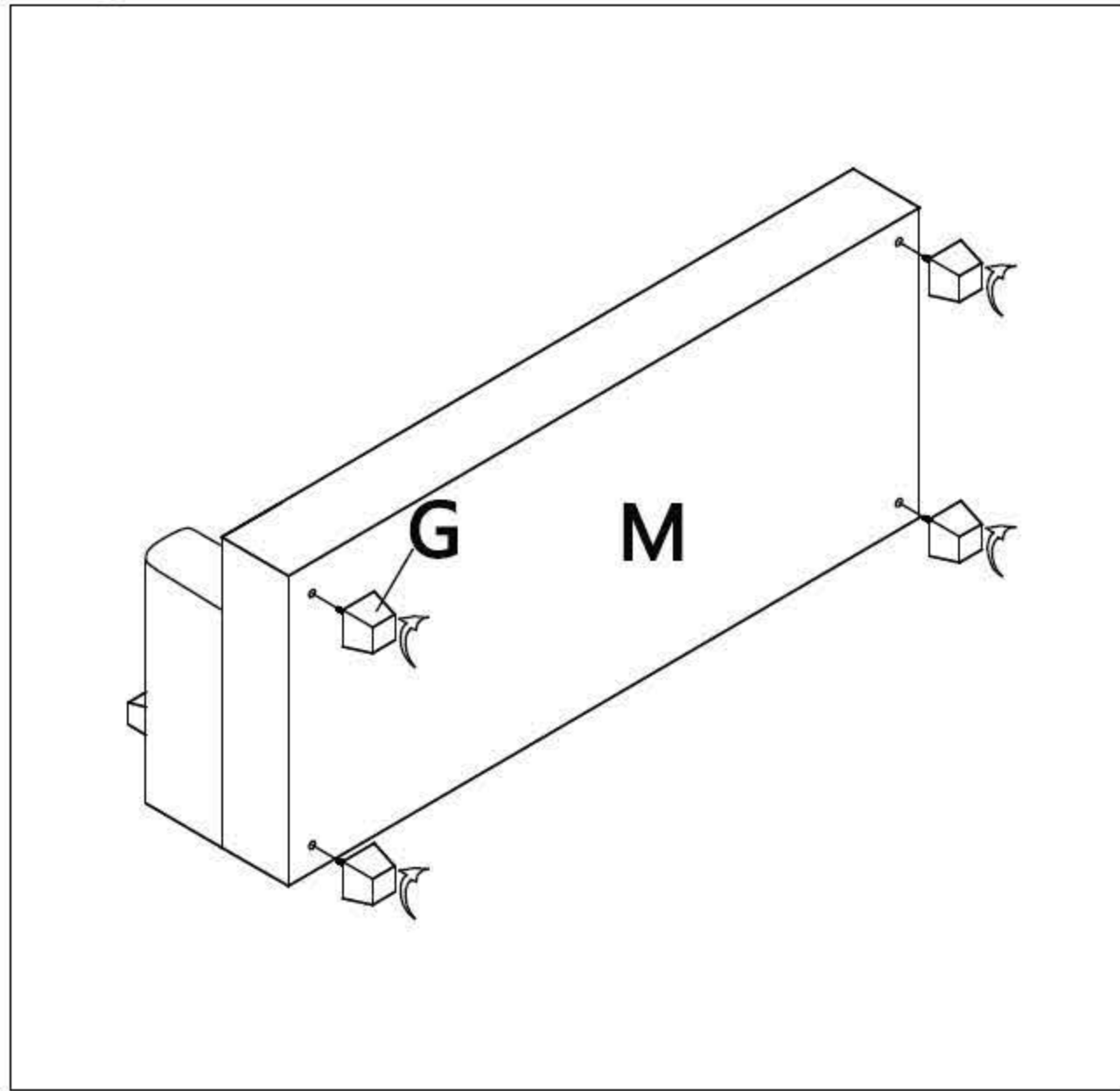
**Step8**



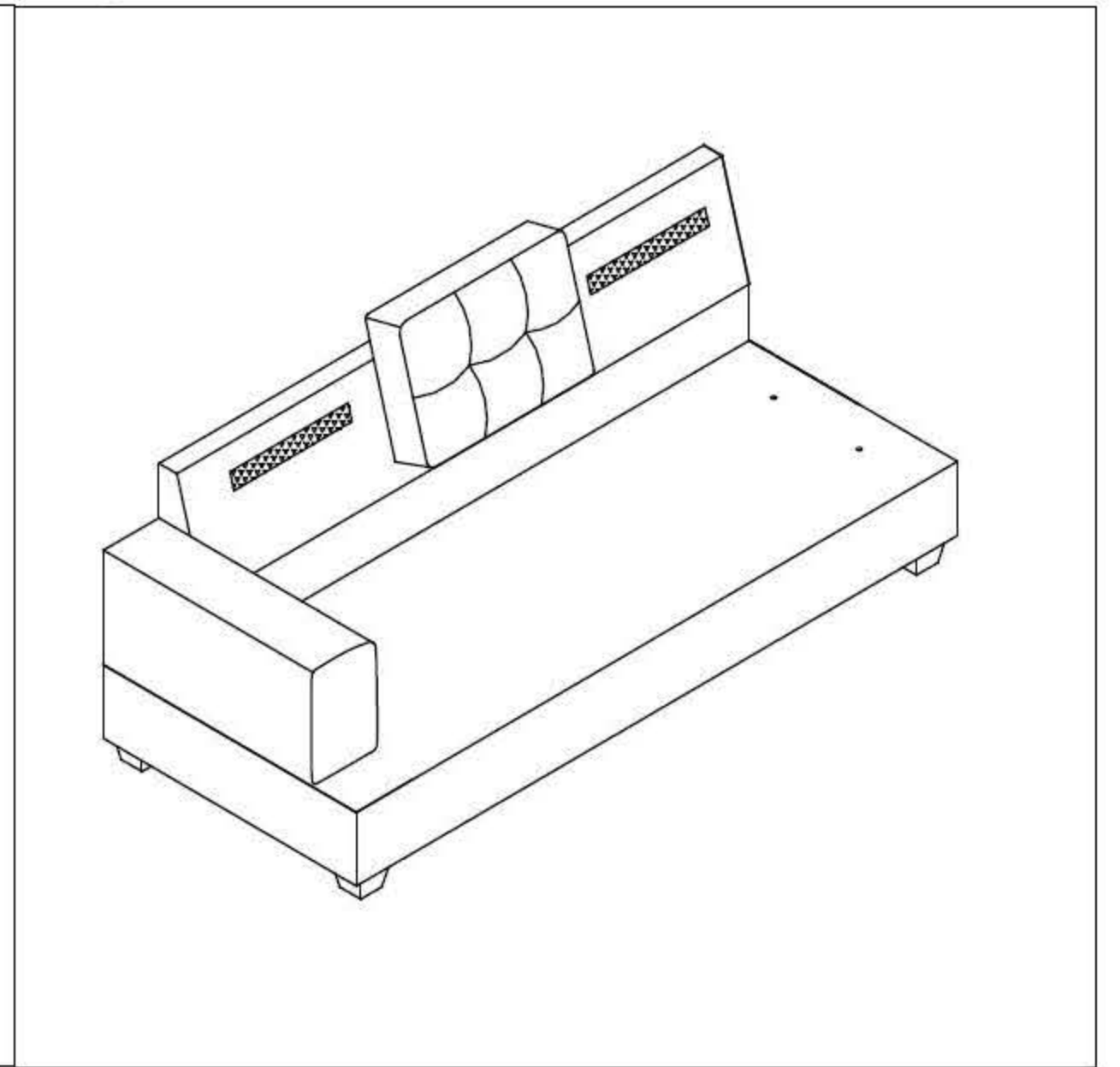
**Step9**



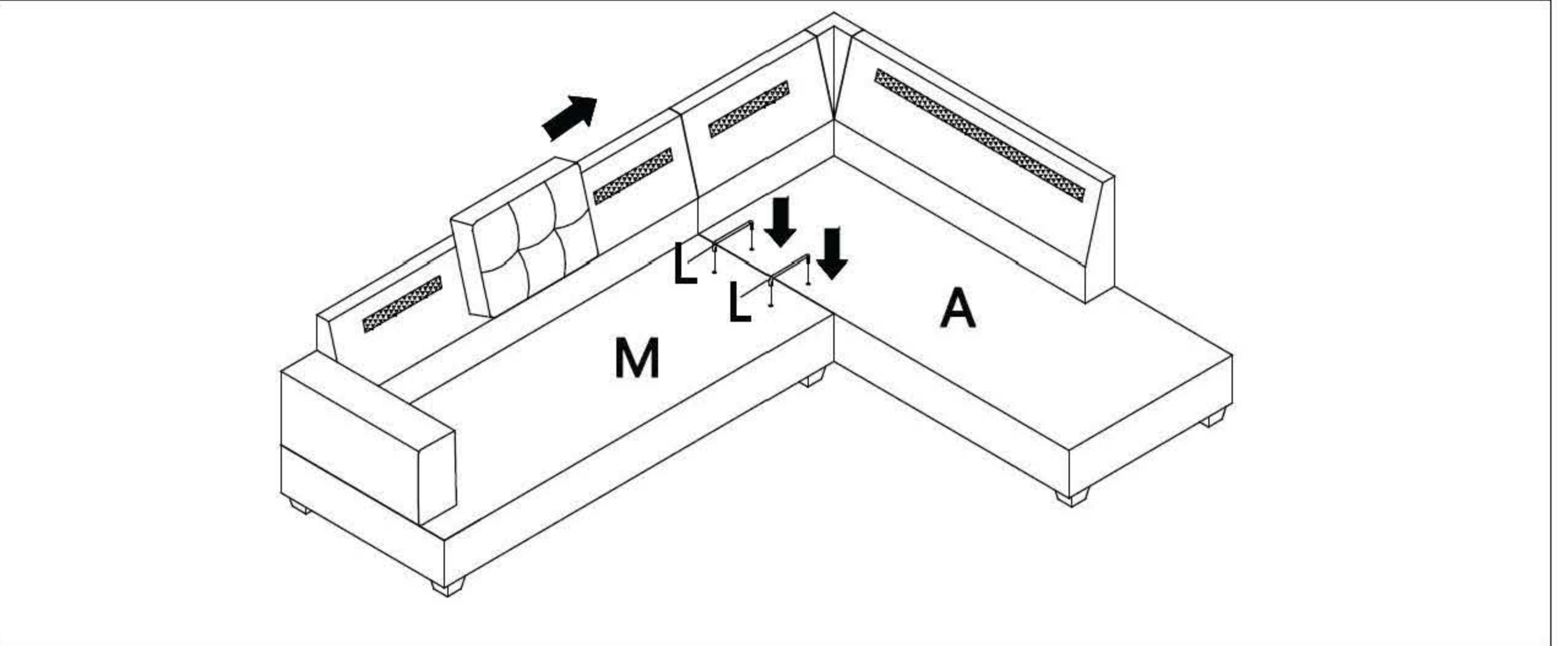
**Step10**



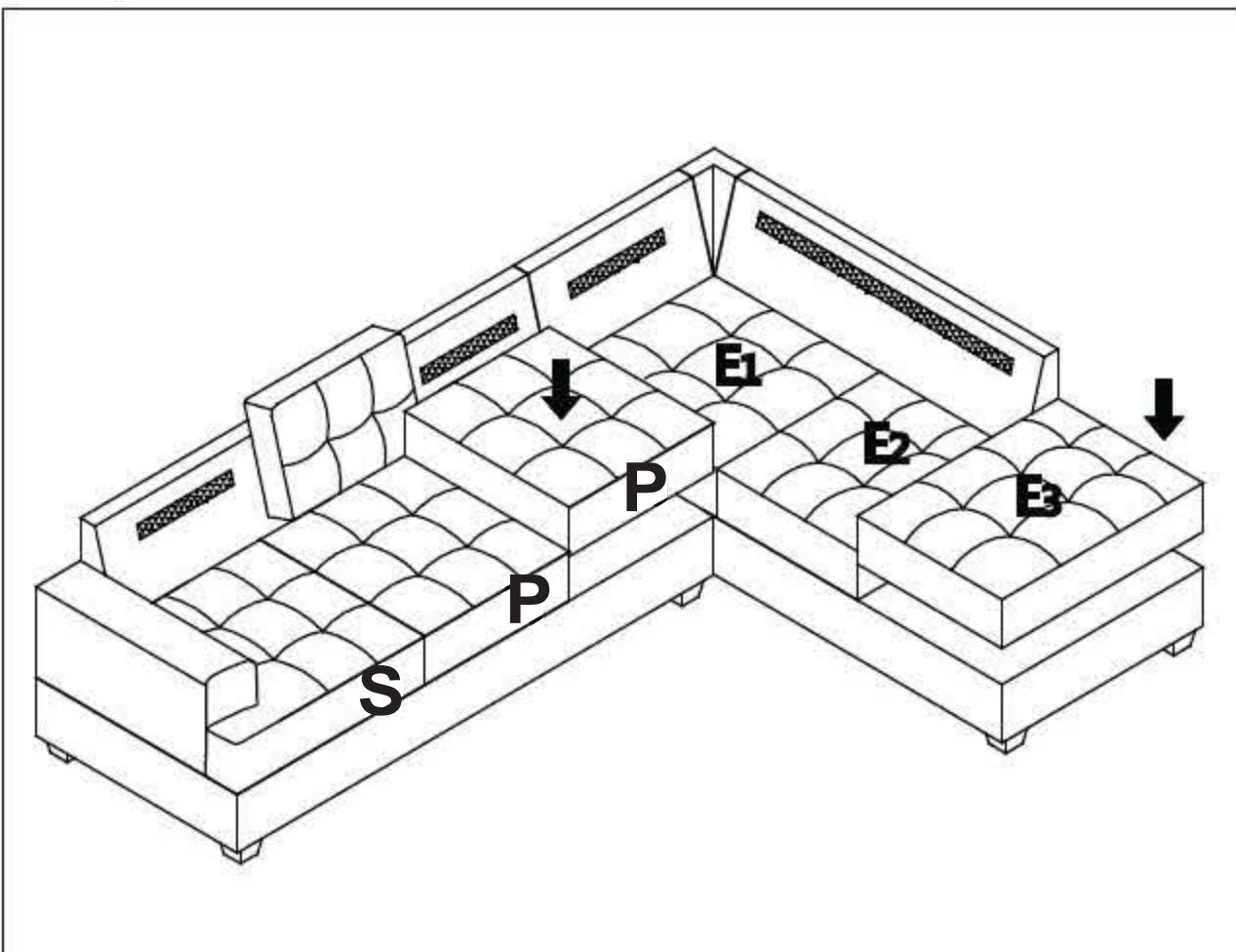
**Step11**



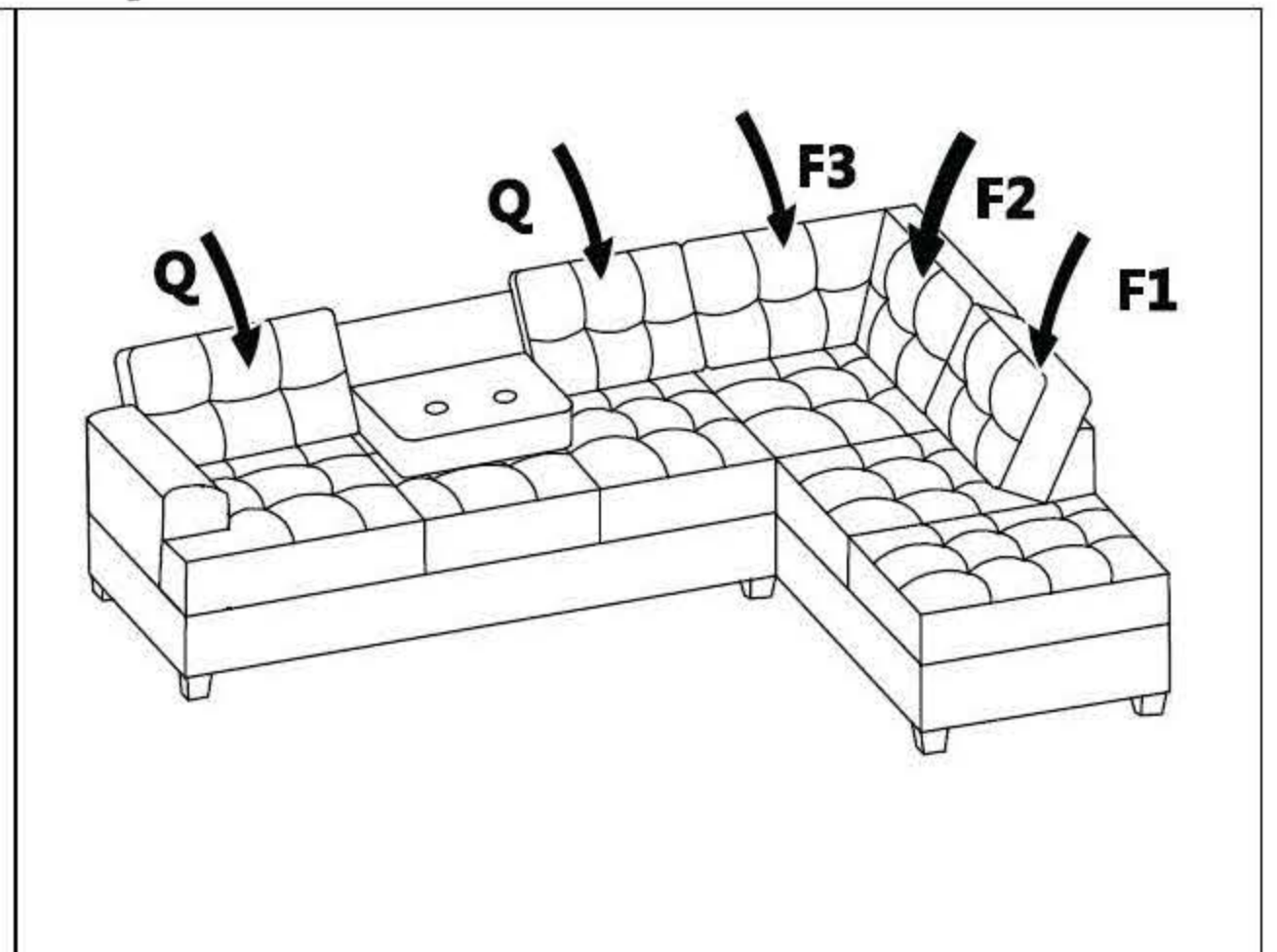
**Step12**



**Step13**



**Step 14**



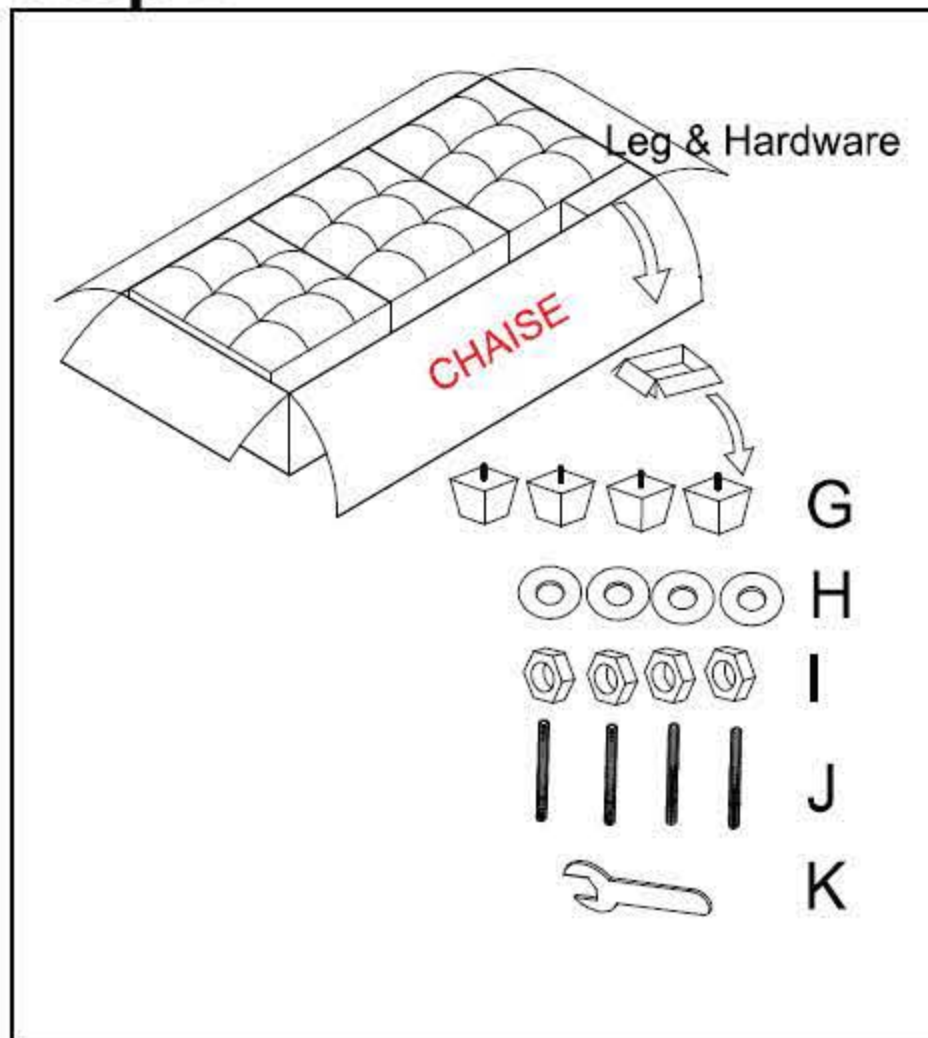
## OPTION 2

Please follow the drawings below to assemble the item.

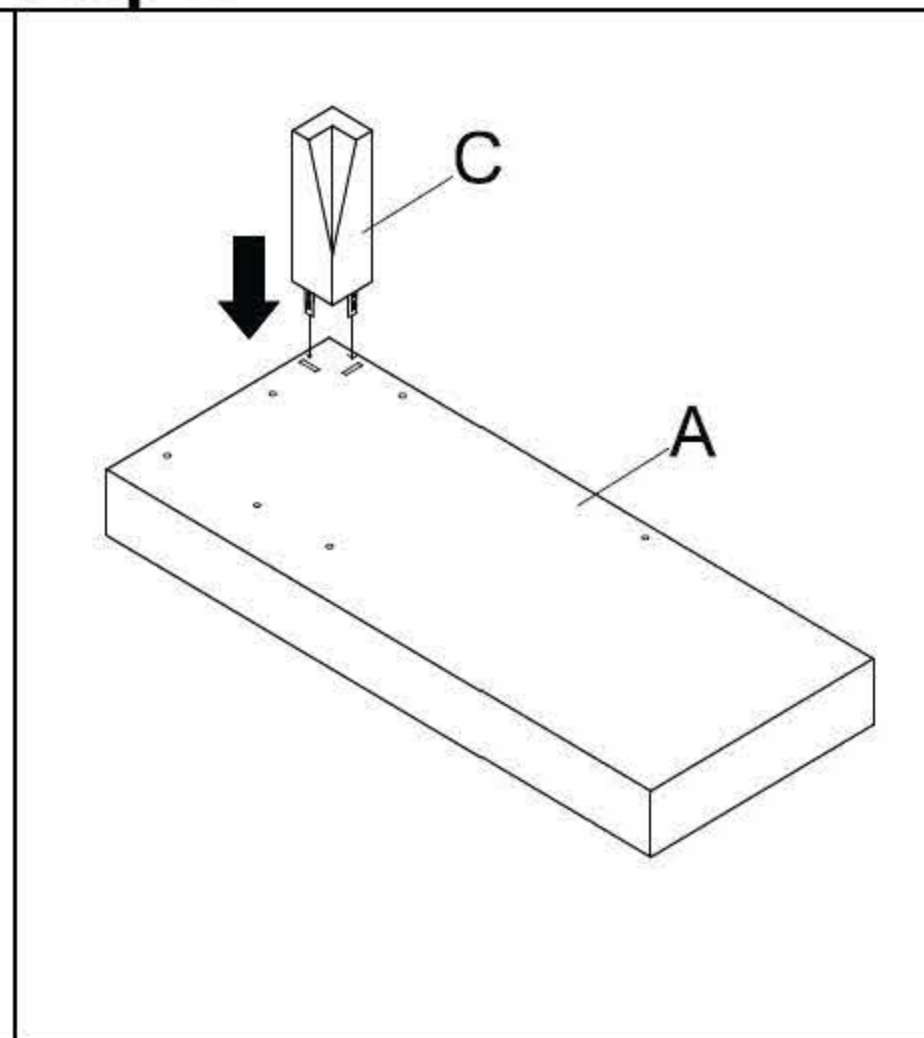
Legs and hardware are stored in small carton box as shown in drawing, please take out for assembly.

### CHAISE ASSEMBLY

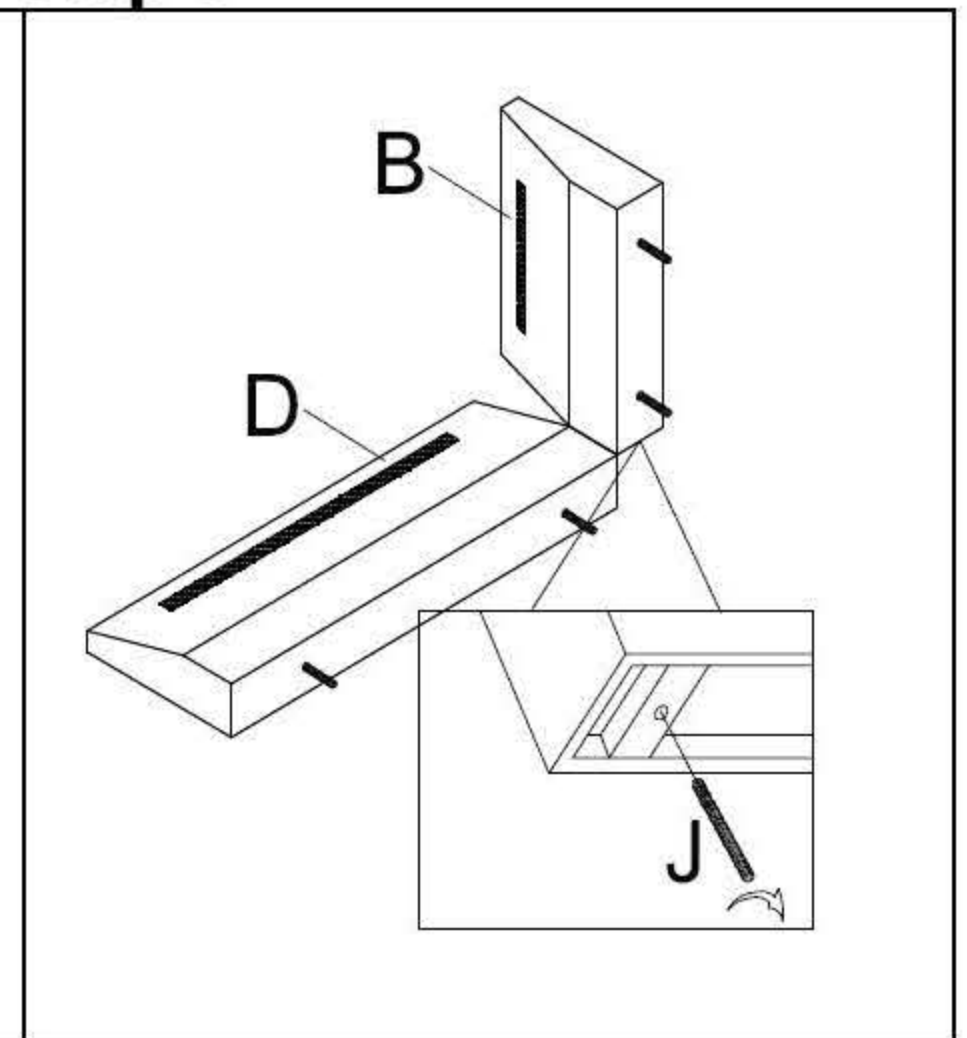
#### Step 1



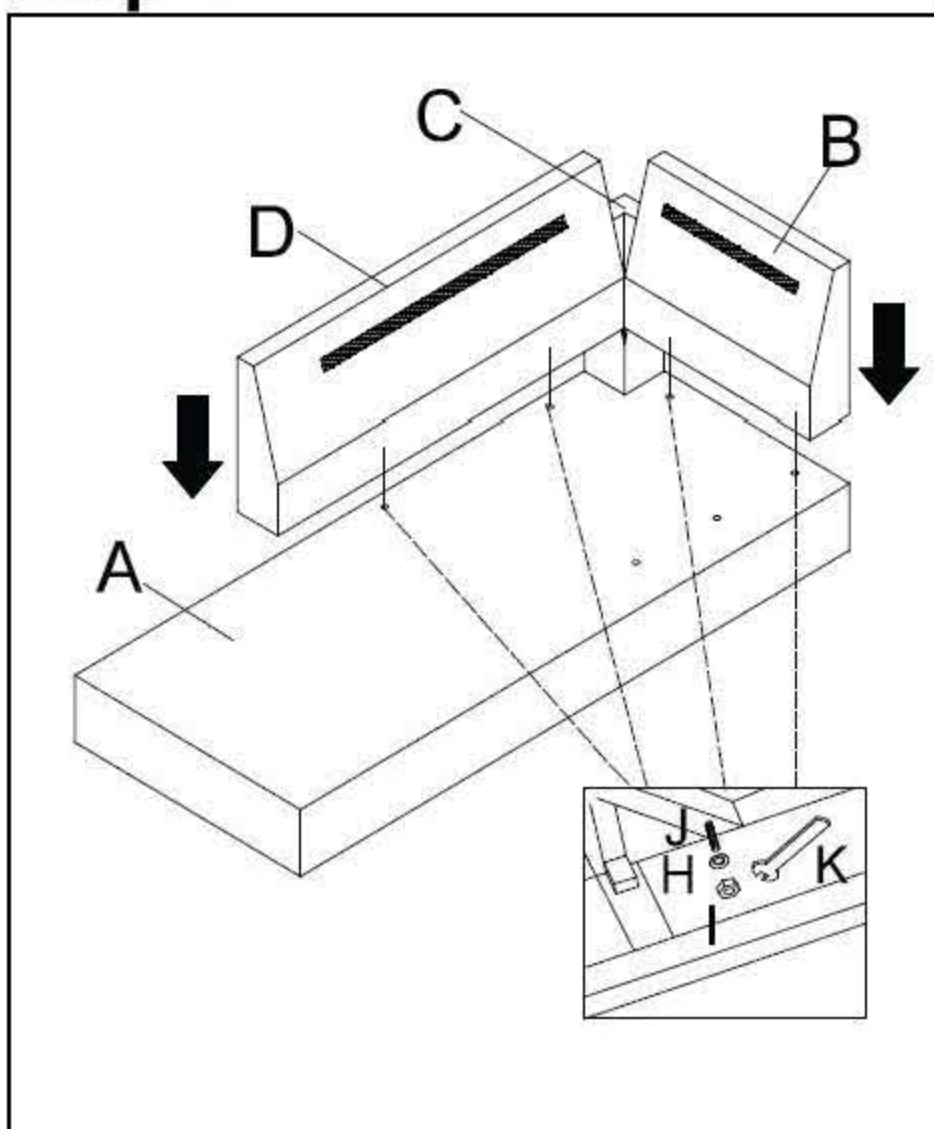
#### Step 2



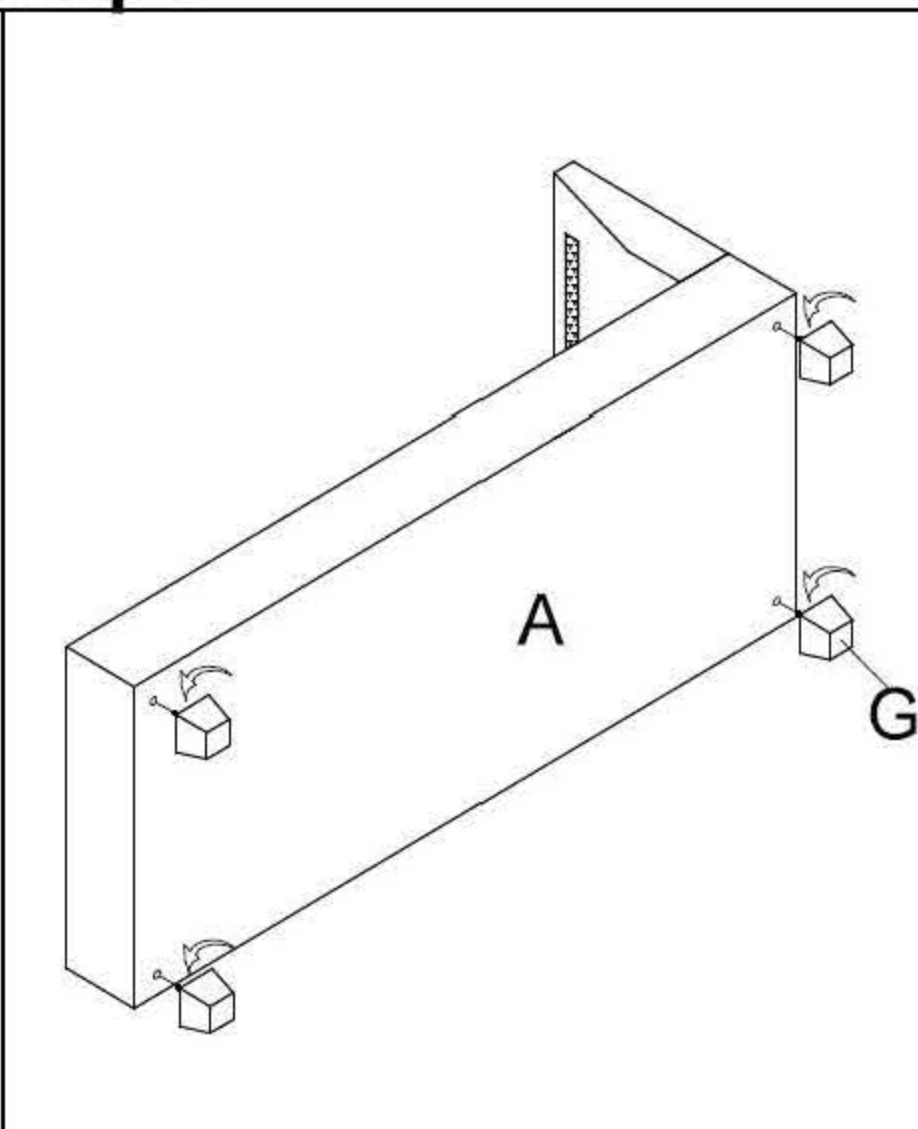
#### Step 3



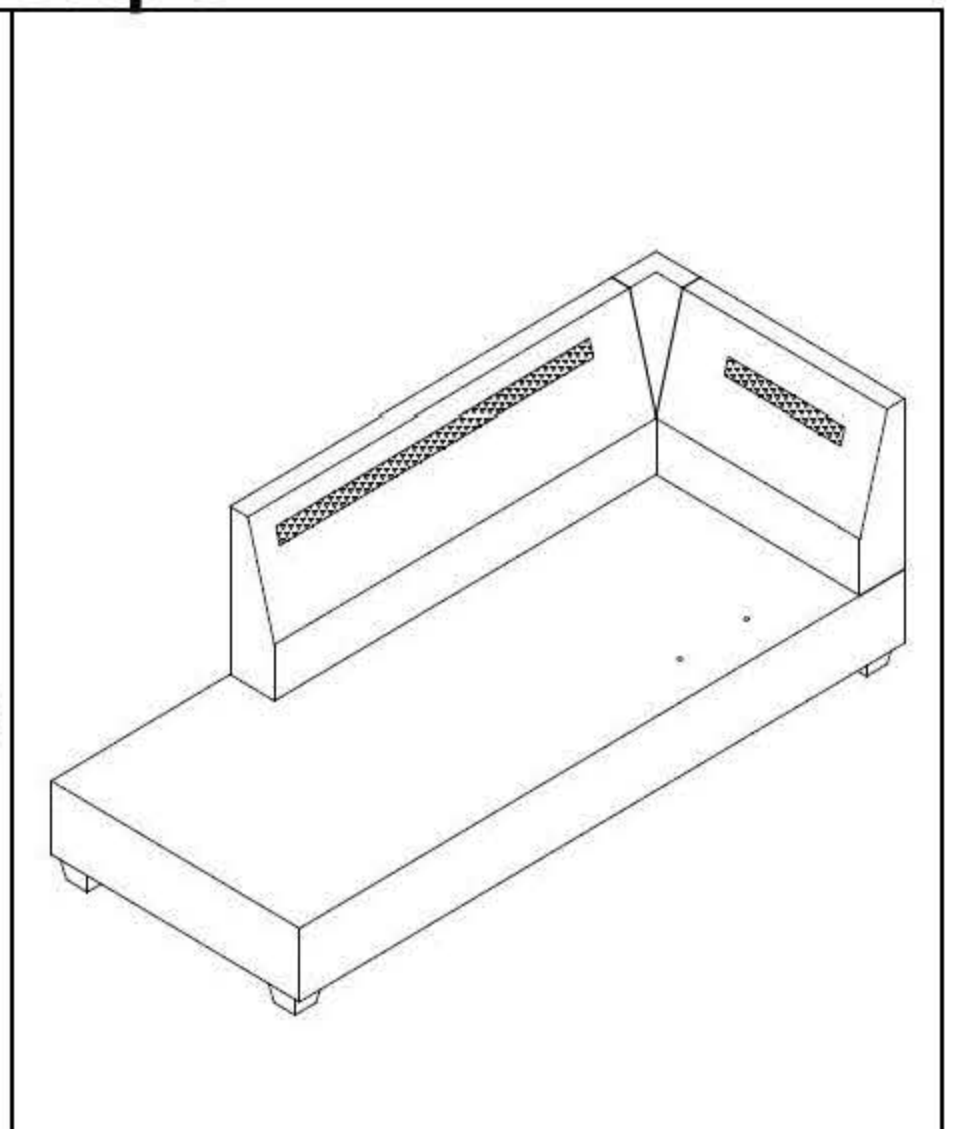
#### Step 4



#### Step 5

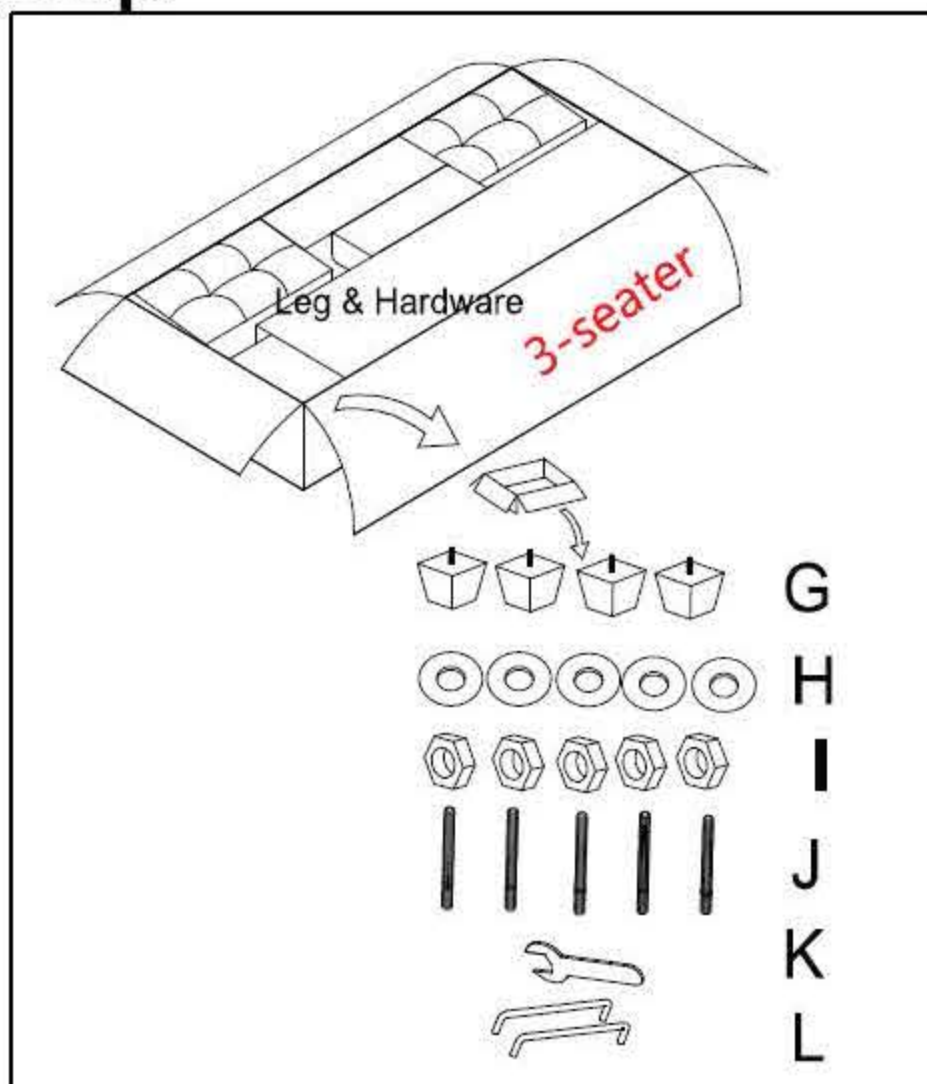


#### Step 6

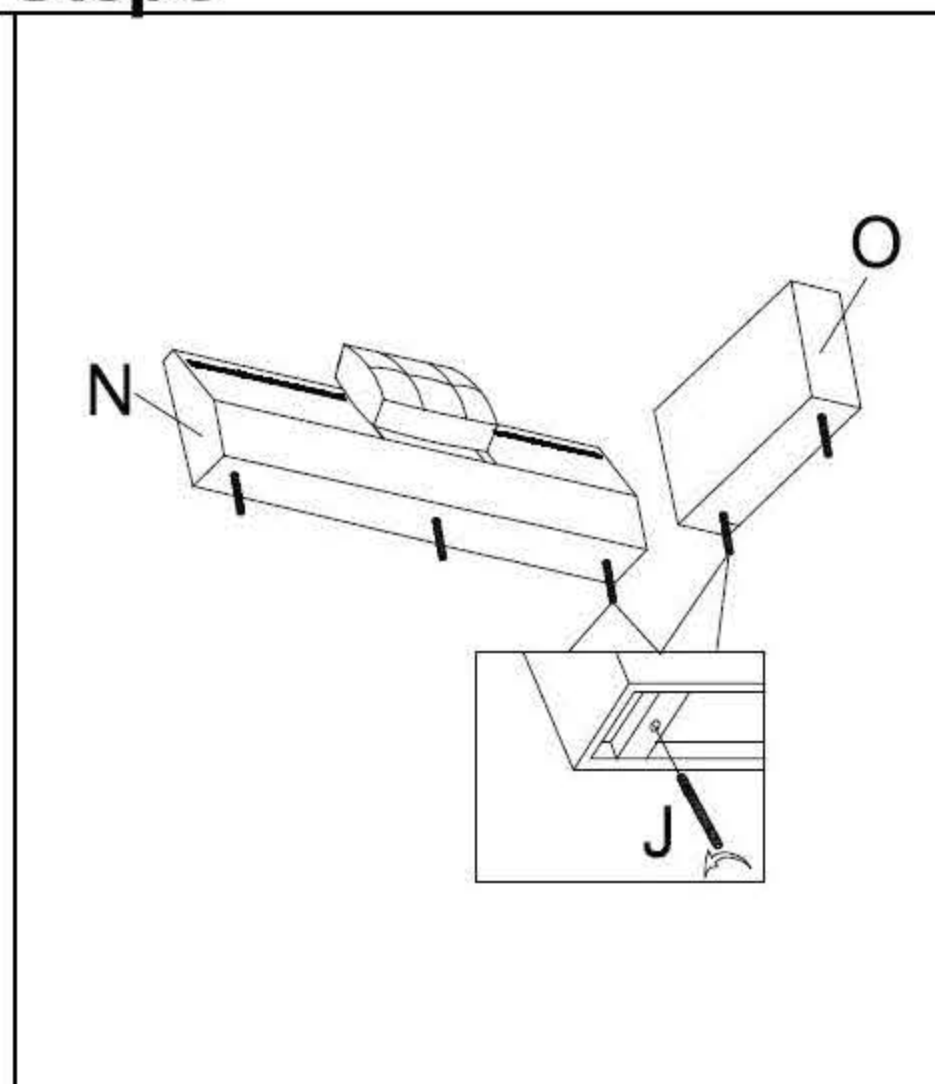


### 3 SEATER ASSEMBLY

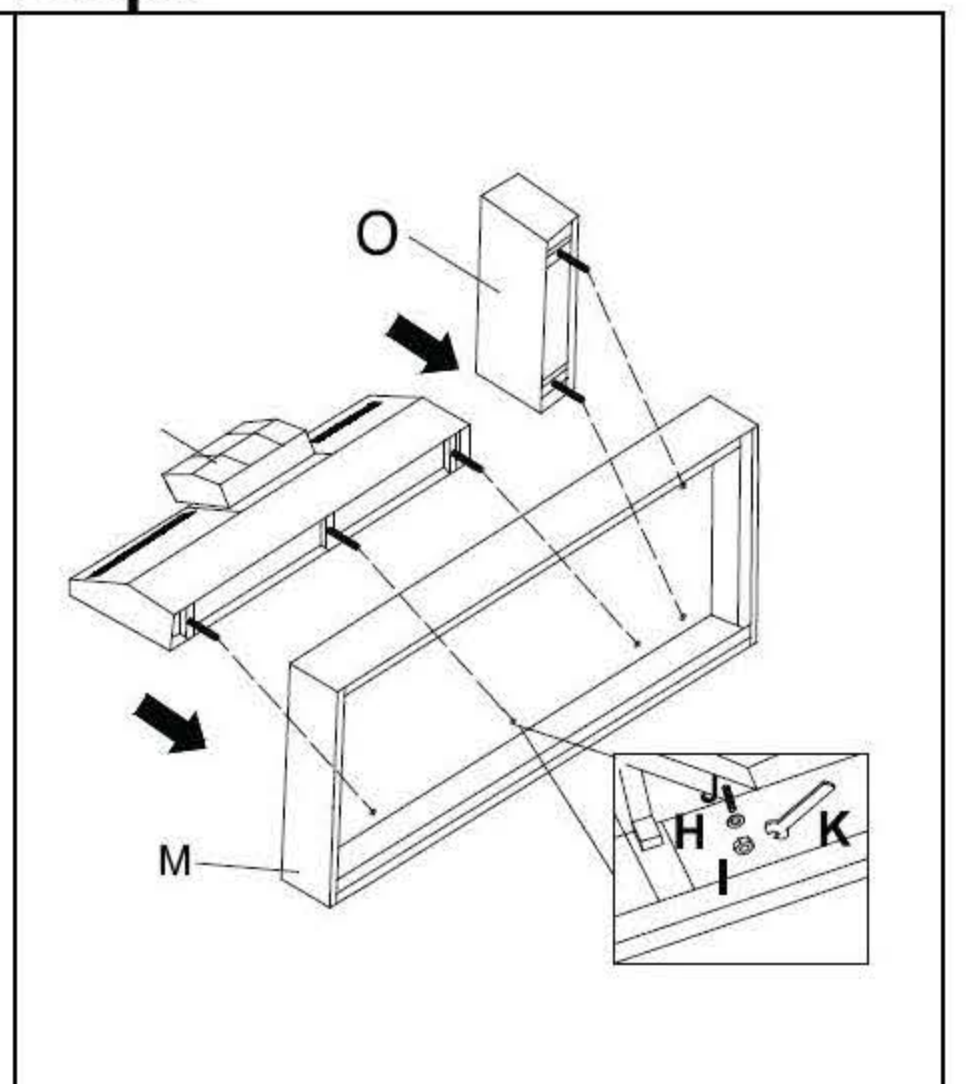
#### Step 7



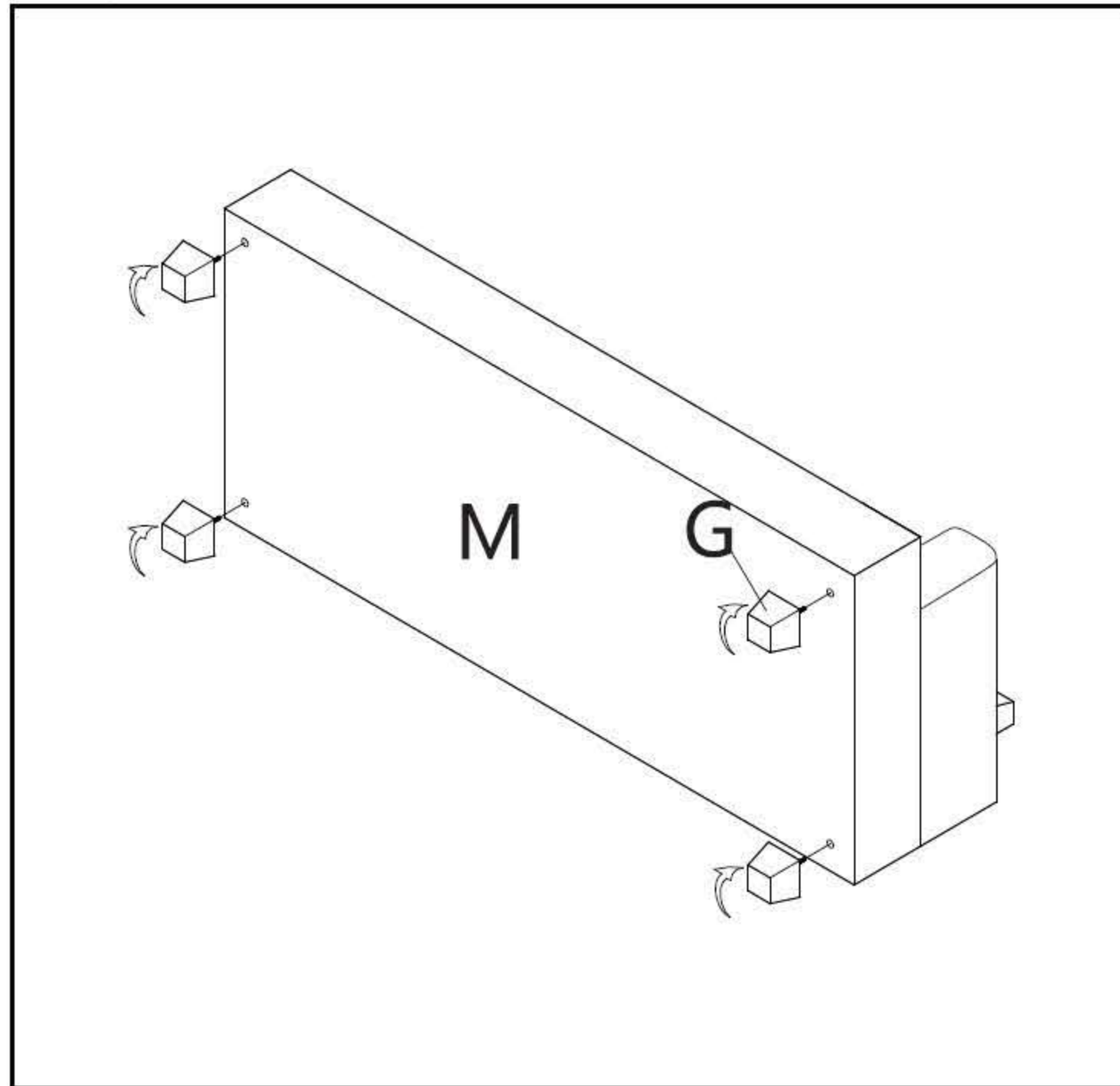
#### Step 8



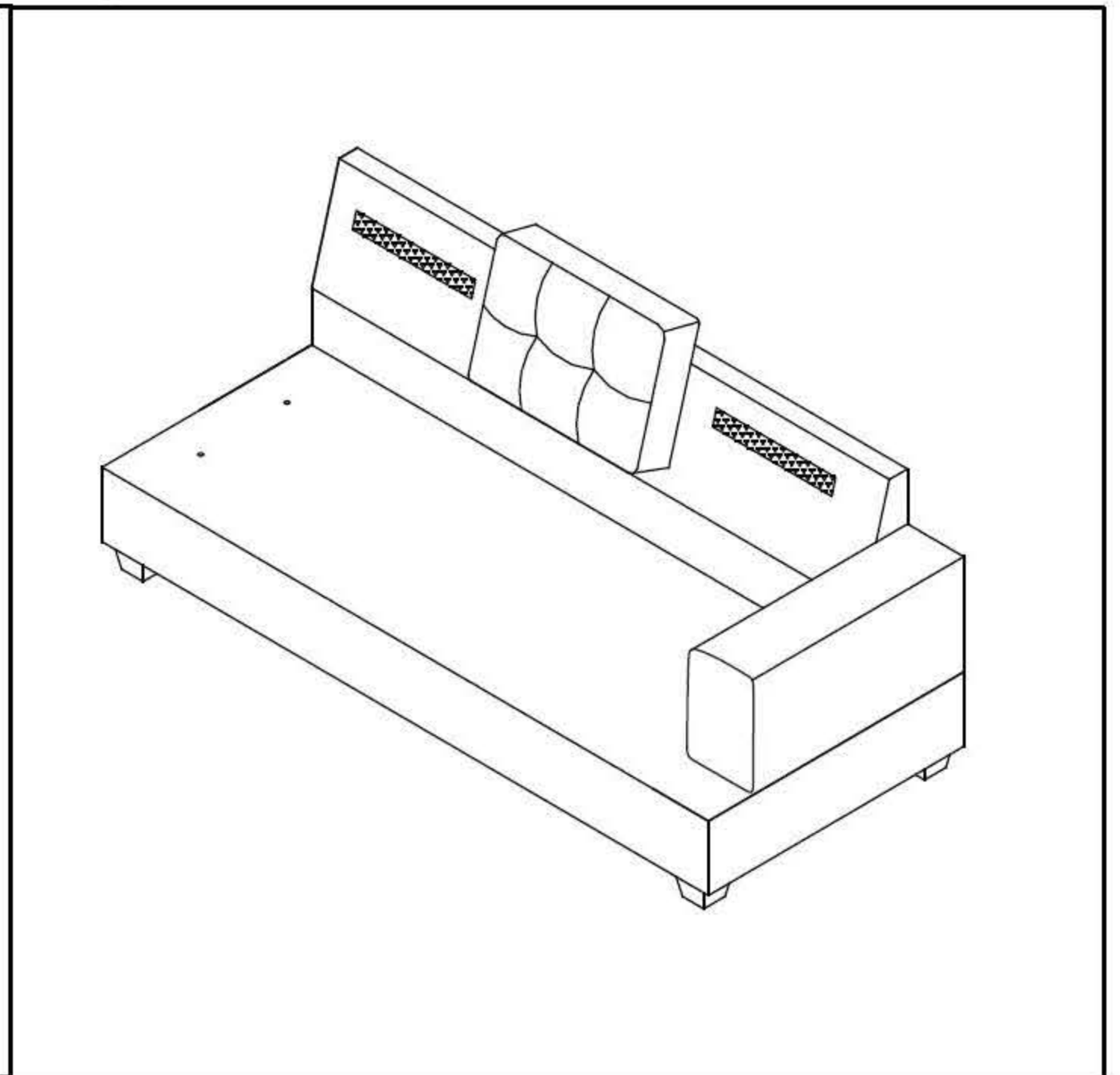
#### Step 9



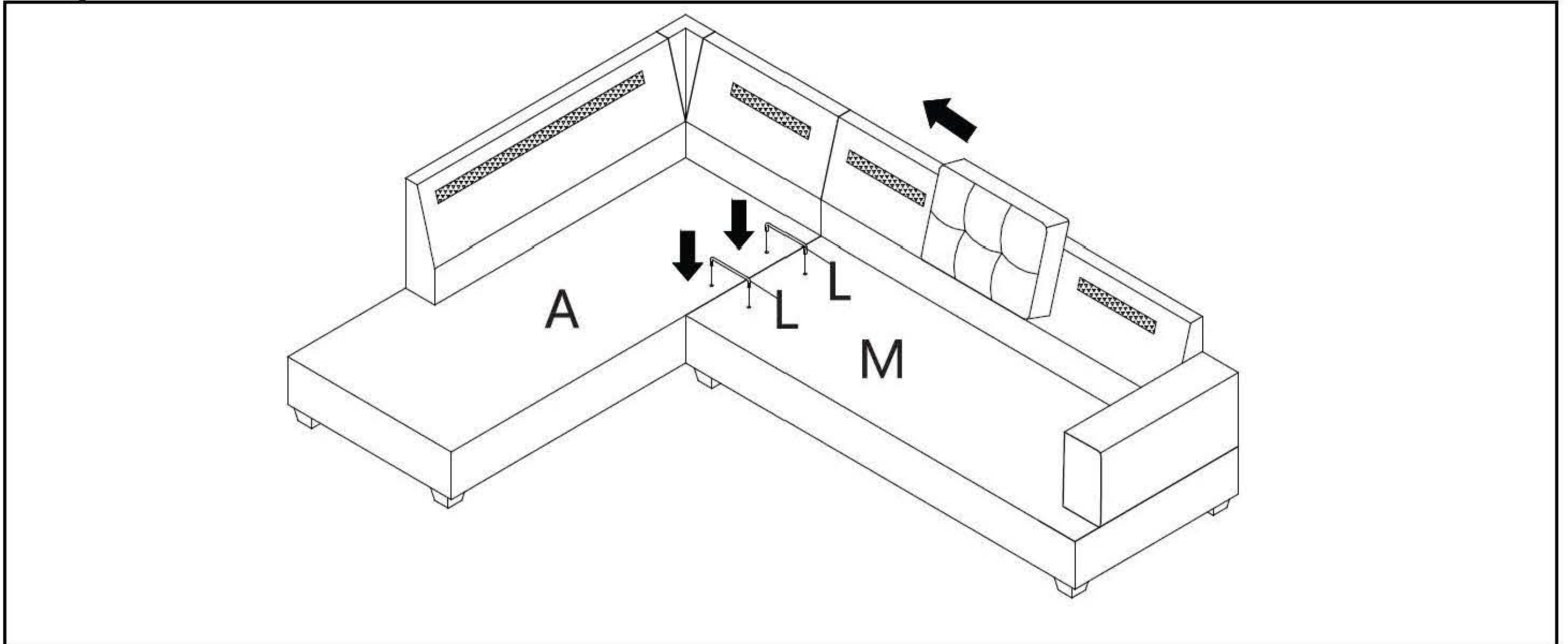
**Step10**



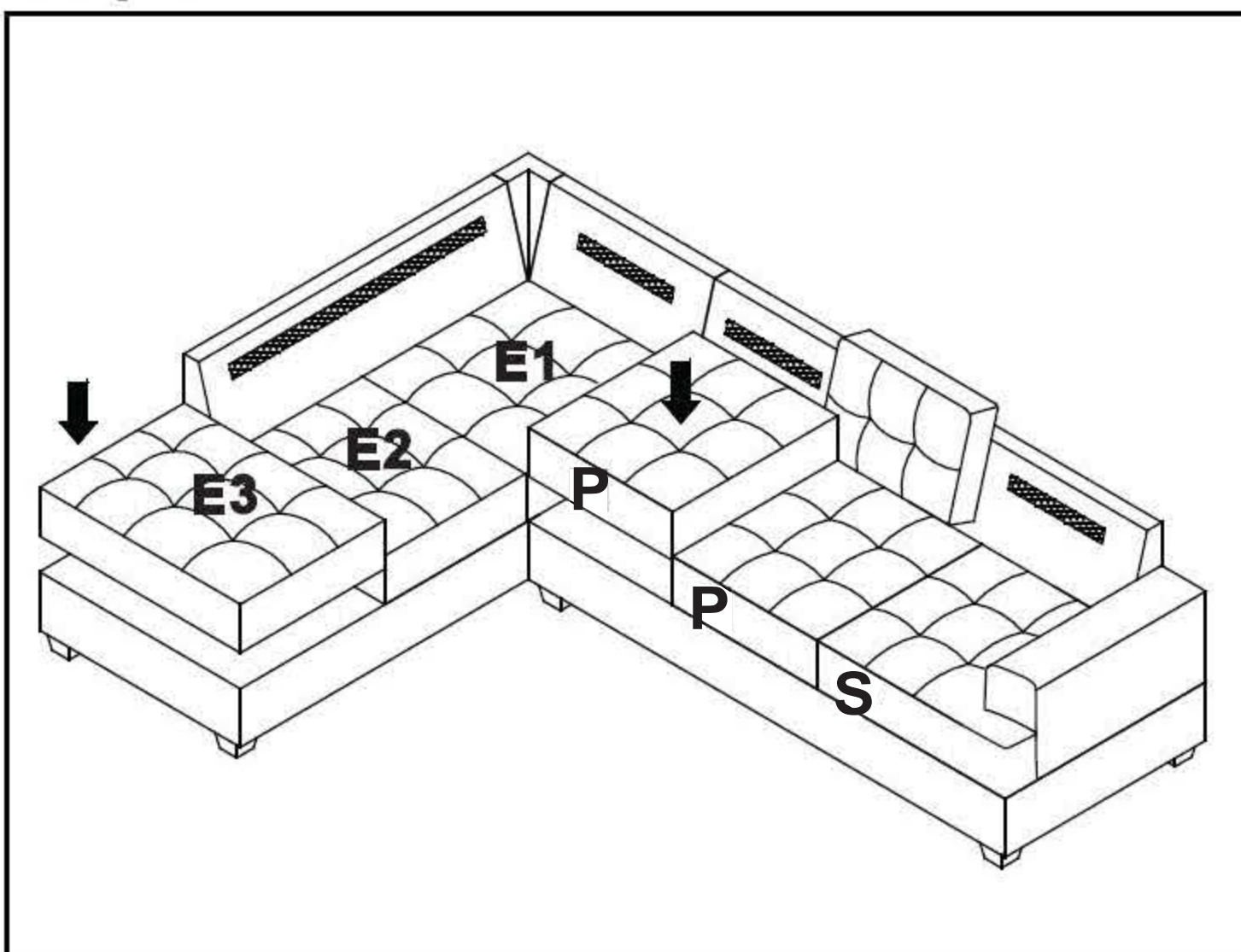
**Step11**



**Step12**



**Step13**



**Step 14**

