
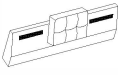














ASSEMBLY INSTRUCTION
ITEM NO: 194S9367BUE/GRY/DGY-3N
SOFA WITH DROP-DOWN CUP HOLDERS

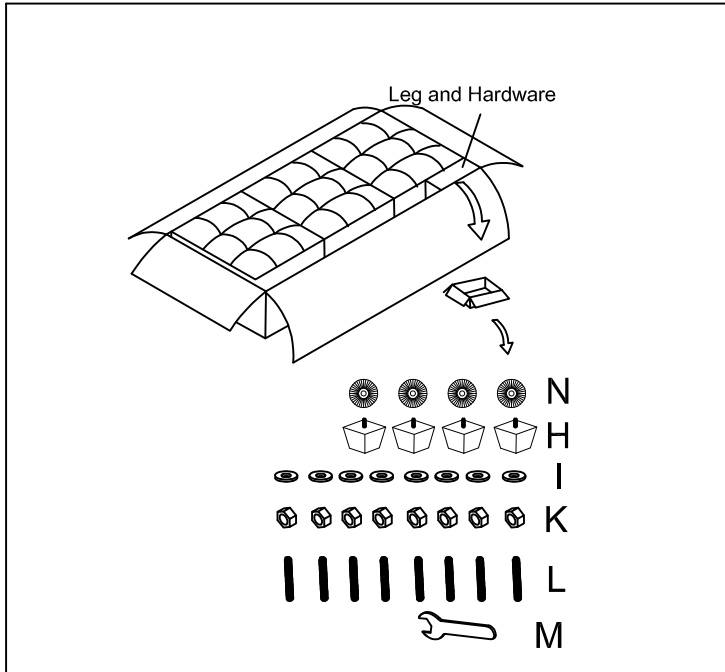
 Legs and hardware are stored in the box, please take out for assembly.

NOTE: Do not use power tools for assembly. Power tools increase the risk of over tightening which lead to splitting or cracking the wood.

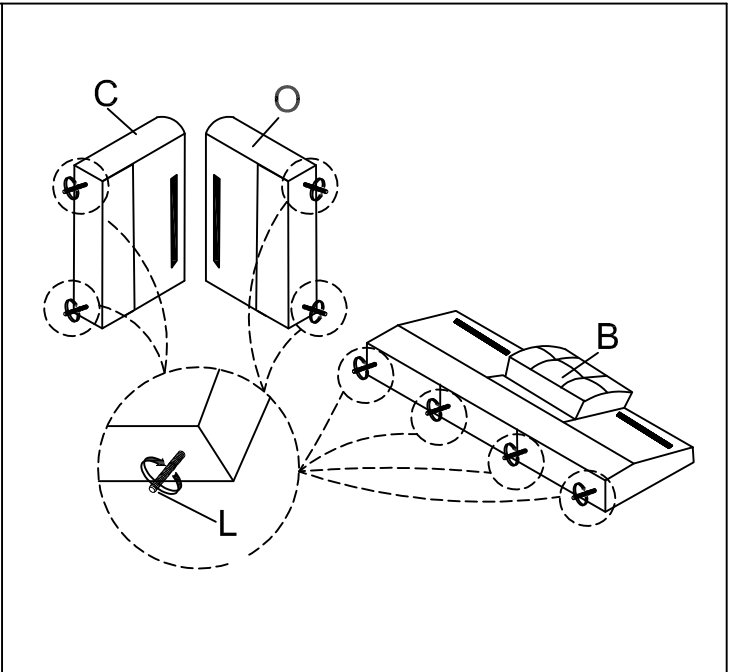
3-SEATER COMPONENT LIST

NO.	DRAWING	QTY	DESCRIPTION
A		1	SEAT
B		1	BACK REST
C		1	LSF ARM
D		1	LSF SEAT CUSHION
E		1	RSF SEAT CUSHION
F		1	MIDDLE SEAT CUSHION
G		2	BACK CUSHION
H		4	PLASTIC LEG 4"* 4"*3.15"
I		8	FLAT WASHER Ø5/16"
K		8	NUT Ø5/16"
L		8	BOLT Ø5/16"*3.6"
M		1	WRENCH
N		4	PLASTIC WASHER Ø1.75"
O		1	RSF ARM

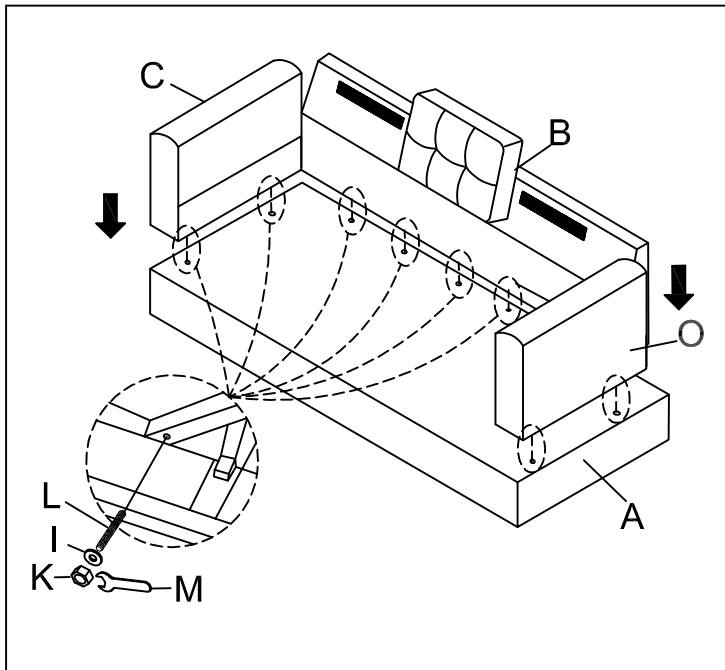
Step 1



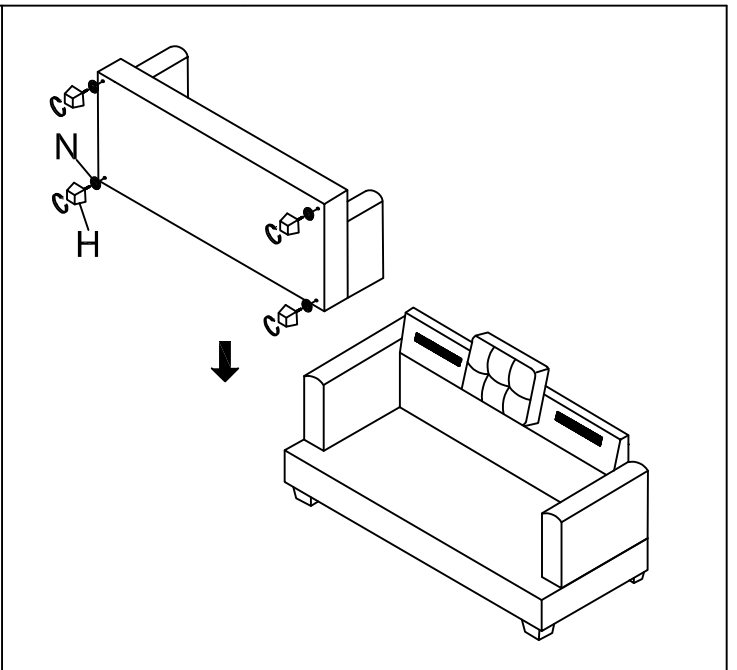
Step 2



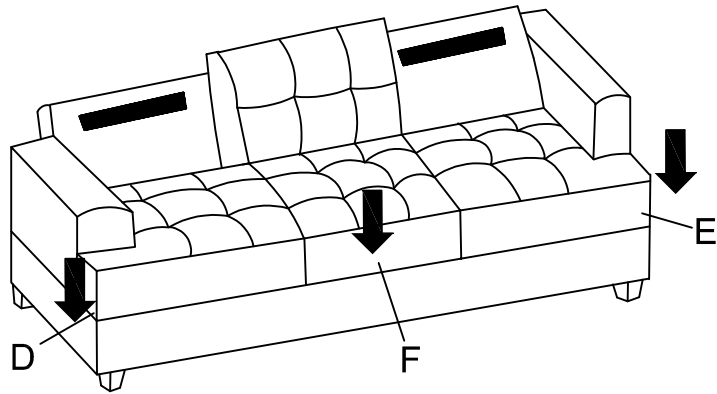
Step 3



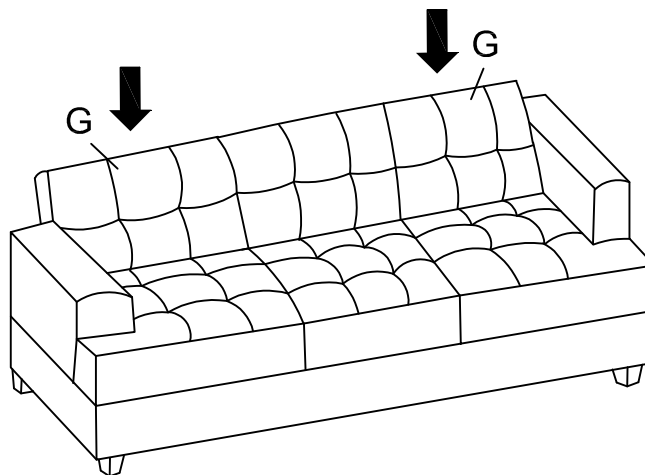
Step 4

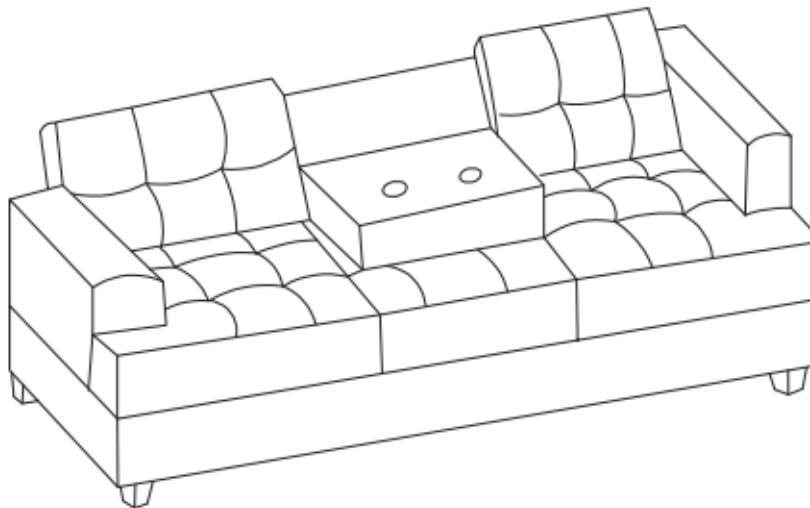
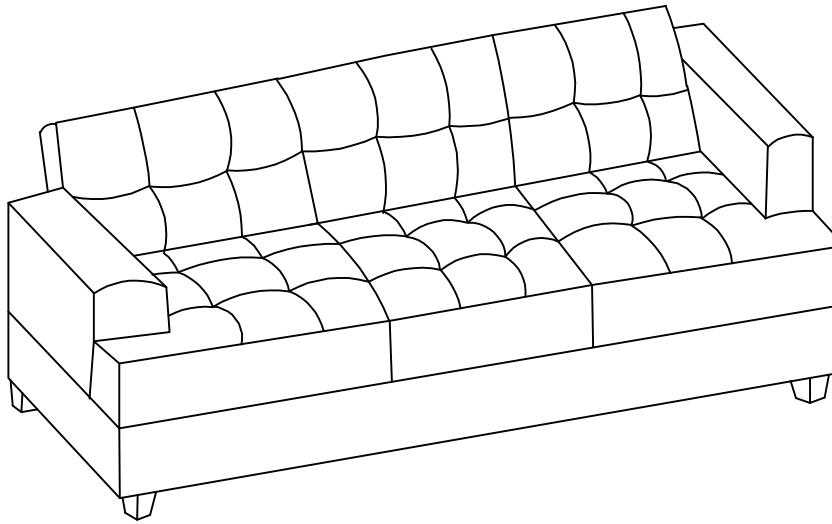


Step 5



Step 6






CARE INSTRUCTIONS FOR TEXTURED UPHOLSTERY FURNITURE:

In order to maintain the original appearance of your textured furniture, please follow below care procedures:

- Avoid exposing furniture directly to sunlight or heating and air conditioning outlets. Sunlight and / or exposure to heating and air conditioning outlets will fade/damage textured. Do not place your upholstered furniture too close to windows, radiators, or vents, and be sure to use window treatments to block the sun's rays.
- Vacuum or wipe with a soft cloth regularly to remove dust.

 For items use on wooden floor, hard surfaces or carpets, it is recommended to install protective pads under all legs and supports to avoid/prevent from damages/scratches and discoloration.