

ASSEMBLY INSTRUCTION

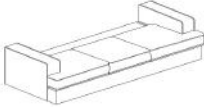
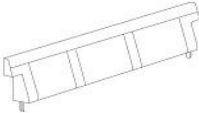




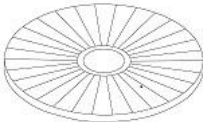
ITEM NO.: 194SR29327BU/ CC/KH-3 SOFA



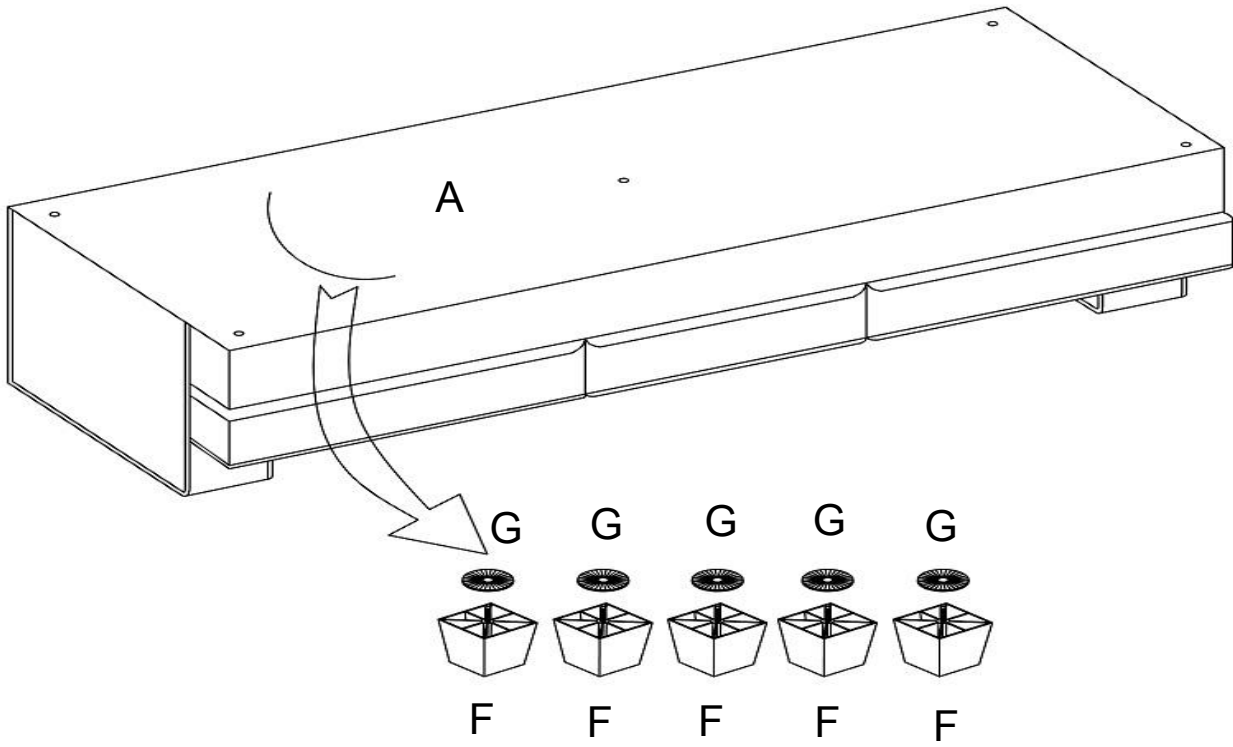
Legs & hardware are stored at the bottom of seat, please take out the legs and hardware for assembly.

Note: Do not use power tools for assembly. Power tools increase the risk of over tightening which lead to splitting or cracking the wood.

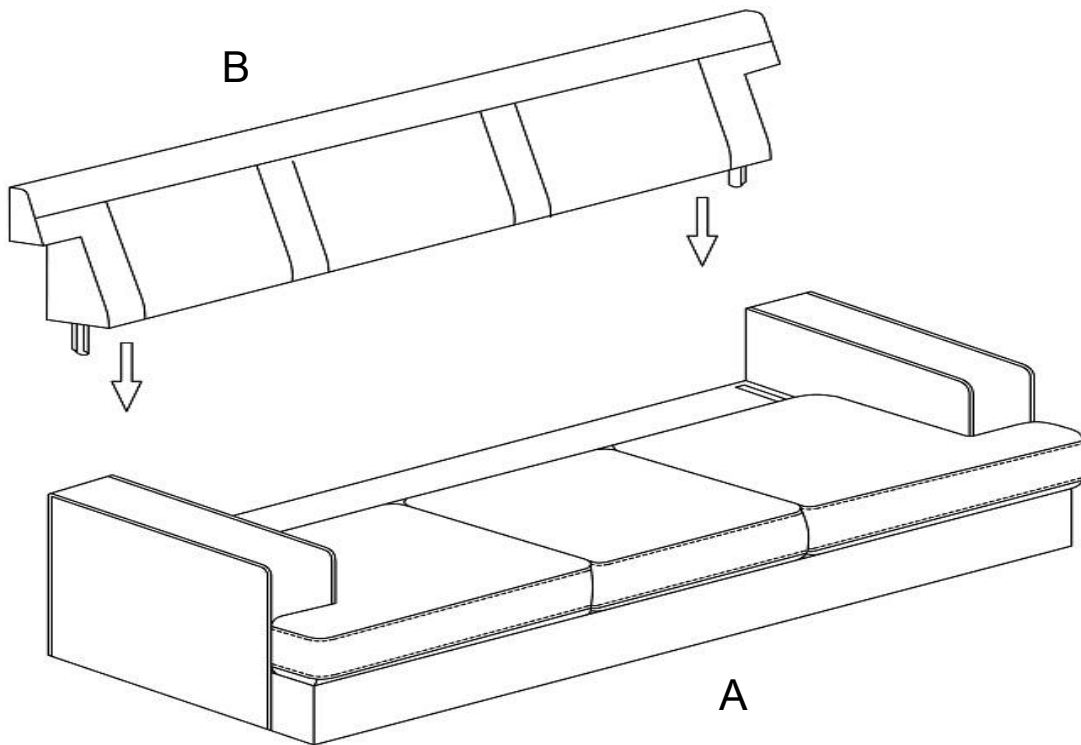
Component list

No	Drawing	Qty	Description
A		1	SEAT
B		1	BACK REST
C		1	MIDDLE BACK CUSHION
D		1	RSF BACK CUSHION
E		1	LSF BACK CUSHION
F		5	PLASTIC LEGS
G		5	PLASTIC WASHER (ø1.89")

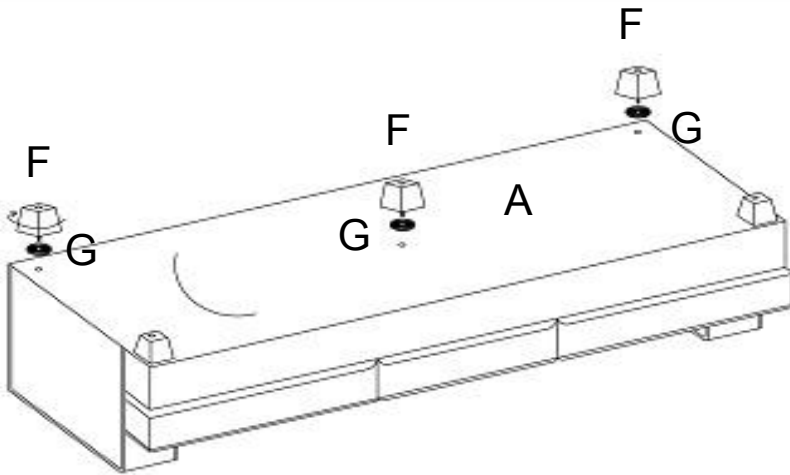
Step #1



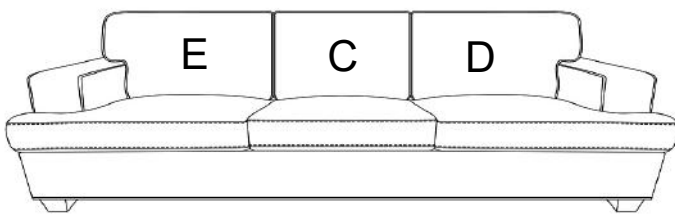
Step #2



Step #4



Step #5



Care Instruction for Linen-Like Furniture:

In order to maintain the original appearance of your linen-like Furniture, please follow below simple care procedures:

- Avoid exposing furniture directly to sunlight or heating and air conditioning outlets. Sunlight and or exposure to heating and air conditioning outlets will fade/damage linen-like.
- Vacuum or wipe with a soft cloth to remove dust.



For items use on wooden floor, hard surfaces or carpets, it is recommended to Install protective pads under all legs and supports to avoid/prevent from damages/scratches and discoloration.