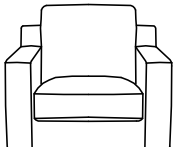



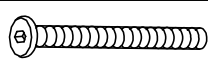


ASSEMBLY INSTRUCTION

ITEM NO: 194S9294GRY-1

CHAIR

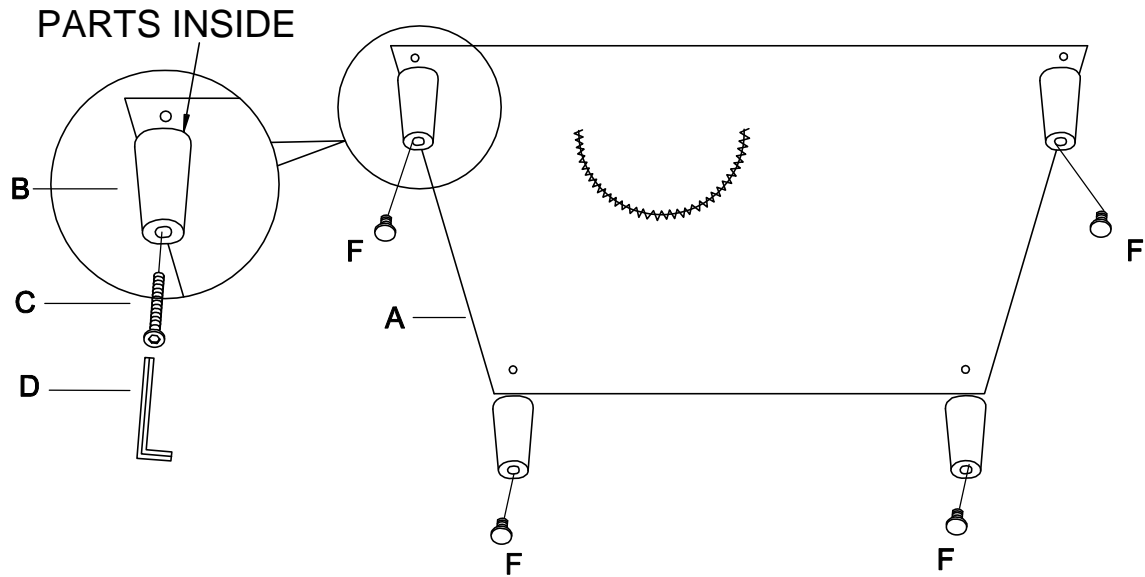
LEGS AND HARDWARE ARE STORED IN THE BOTTOM OF THE SEAT, PLEASE TAKE OUT FOR ASSEMBLY.

NO.	PARTS LIST	QTY	DESCRIPTION
A		1	CHAIR

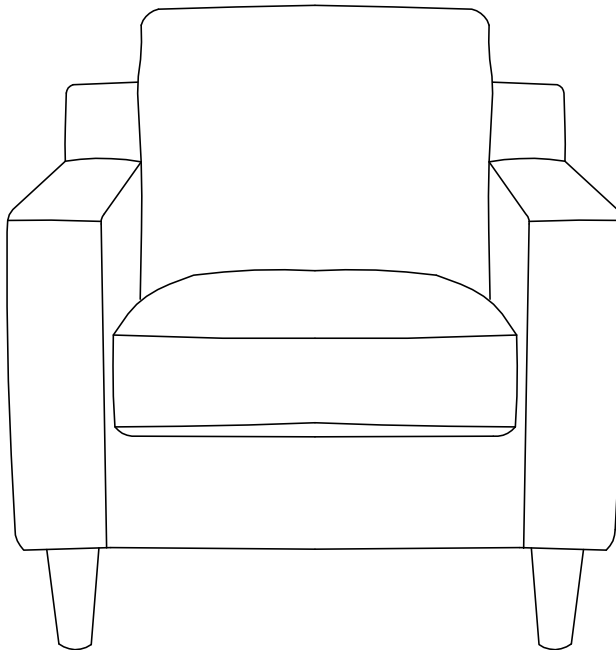
NO.	HARDWARE LIST	QTY	DESCRIPTION
B	 80*80*150mmH	4	WOODEN LEG
C	 M8*110mm	4	BOLT
D	 M5*100*38mm	1	ALLEN KEY
F	 ø20*H20mm	4	PLASTIC LEVELER

ASSEMBLY INSTRUCTION
ITEM NO: 194S9294GRY-1
CHAIR

STEP 1



STEP 2



CARE INSTRUCTION FOR TOP LEATHER WITH PU FURNITURE

In order to maintain the original appearance of your furniture, please follow below care procedures.

°Avoid exposing furniture directly to sunlight or heating and air conditioning outlets. sunlight and/ or exposure to heating and air conditioning outlets will fade/damage top leather with PU. Do not place your upholstered furniture too close to windows, radiators, vents and be sure to use window treatments to block the sun's rays.

°Wipe with a soft brush to remove dust.