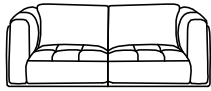


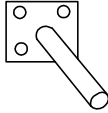

**ASSEMBLY INSTRUCTION**

**ITEM NO: 194S9280BR-2**

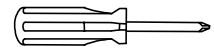
**LOVE SEAT**

LEGS AND HARDWARE ARE STORED IN THE BOTTOM OF THE SEAT, PLEASE TAKE OUT FOR ASSEMBLY.

NO.	PARTS LIST	QTY	DESCRIPTION
A		1	LOVE SEAT

NO.	HARDWARE LIST	QTY	DESCRIPTION
B	 XG-152mm	4	METAL LEGS
C	 M8*30mm	16	BOLT

**Tool Required  
(not provided)**

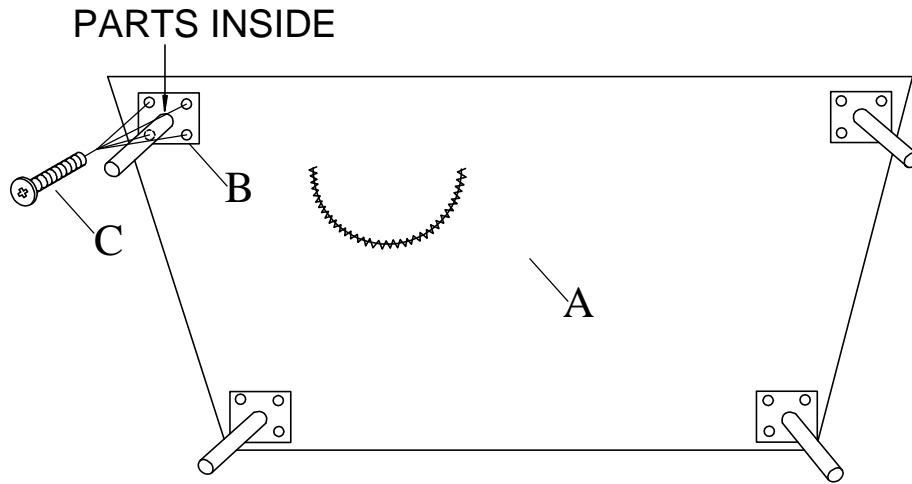


# ASSEMBLY INSTRUCTION

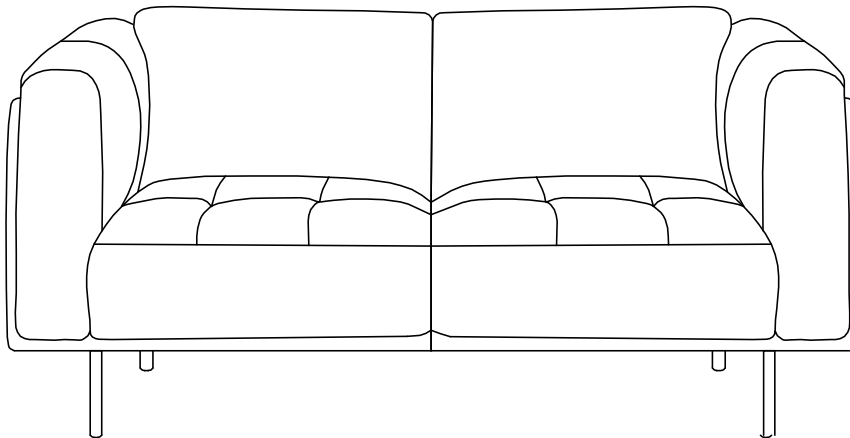
ITEM NO: 194S9280BR-2

## LOVE SEAT

### STEP # 1



### STEP # 2



#### CARE INSTRUCTION FOR LEATHER FURNITURE

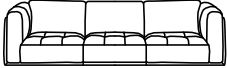
In order to maintain the original appearance of your furniture, please follow below care procedures .

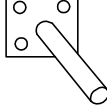
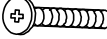

°Avoid exposing furniture directly to sunlight or heating and air conditioning outlets. sunlight and/ or exposure to heating and air conditioning outlets will fade/damage leather. Do not place your upholstered furniture too close to windows, radiators, vents and be sure to use window treatments to block the sun's rays

°Wipe with a soft brush to remove dust

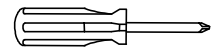
**ASSEMBLY INSTRUCTION**  
**ITEM NO: 194S9280BR-3**  
**SOFA**

LEGS AND HARDWARE ARE STORED IN THE BOTTOM OF THE SEAT, PLEASE TAKE OUT FOR ASSEMBLY.

NO.	PARTS LIST	QTY	DESCRIPTION
A		1	SOFA

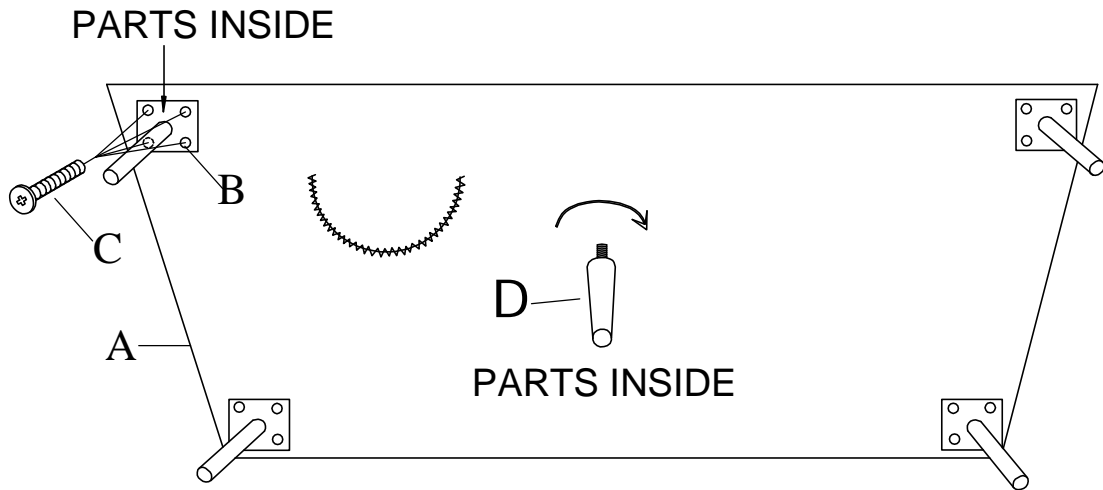
NO.	HARDWARE LIST	QTY	DESCRIPTION
B	 XG-152mm	4	METAL LEGS
C	 M8*30mm	16	BOLT
D	 H185mm	1	WOODEN LEG

**Tool Required**  
**(not provided)**

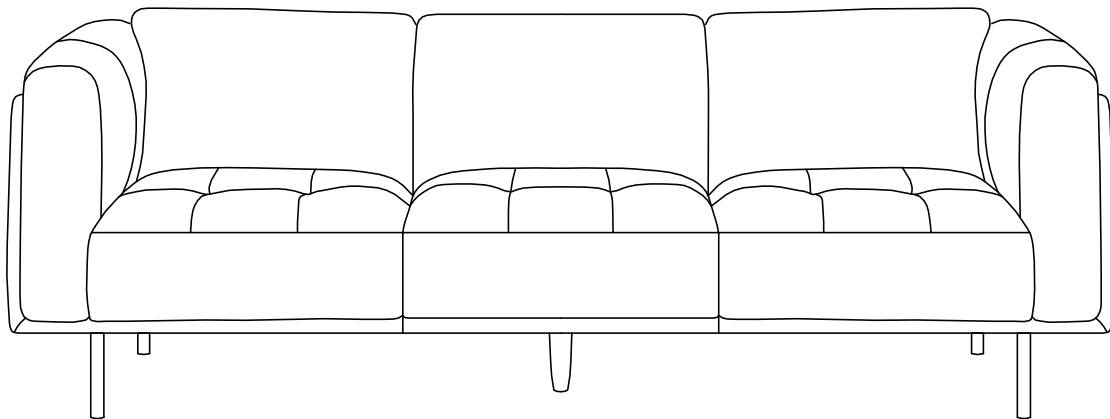


**ASSEMBLY INSTRUCTION**  
**ITEM NO: 194S9280BR-3**  
**SOFA**

**STEP # 1**



**STEP # 2**



**CARE INSTRUCTION FOR LEATHER FURNITURE**

In order to maintain the original appearance of your furniture, please follow below care procedures .

°Avoid exposing furniture directly to sunlight or heating and air conditioning outlets. sunlight and/ or exposure to heating and air conditioning outlets will fade/damage leather. Do not place your upholstered furniture too close to windows, radiators, vents and be sure to use window treatments to block the sun's rays

°Wipe with a soft brush to remove dust